

F L O R I D I A N



Cooking grate temperature exceeds 550°F. Achieve the results you want for any kind of food, from seared steaks to tender grilled vegetables.

AVAILABLE:



KENYON®

Make any day a weekend



Kenyon International, Inc. building quality specialty cooking appliances since 1931.

F L O R I D I A N

Floridian Grill Built-In Units

Model B70080 (UL/C-UL Approved) - with Lite-Touch™ Control

120V AC 50/60Hz - 11 amp., 1300 watts
GFCI three prong power cord

Model B70081 - with Lite-Touch™ Control

240V AC 50/60Hz - 6 amp., 1300 watts
Three wire harness

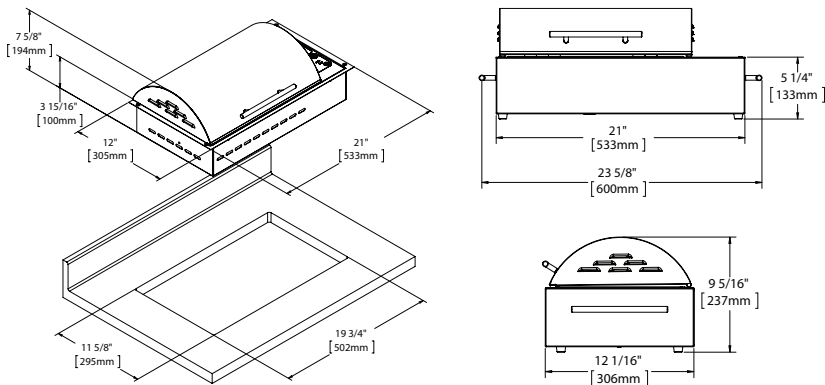
Model B70580 (UL/C-UL Approved) - with IntelliKEN Touch™ Control

120V AC 50/60Hz - 11 amp., 1300 watts
GFCI three prong power cord

Model B70581 - with IntelliKEN Touch™ Control

240V AC 50/60Hz - 6 amp., 1300 watts
Three wire harness

Overall Dimensions: 21" x 12" x 4 15/16" (8 5/8" with lid)
533mm x 305mm x 125mm (219mm with lid)
(Depth includes the drain fitting not shown in drawing)
Cutout Dimensions: 19 3/4" x 11 5/8" with 1/4" radius
502mm x 295mm with 6mm radius



Floridian Grill Portable Units

Model B70082 (UL/C-UL Approved) - with Lite-Touch™ Control

120V AC 50/60Hz - 11 amp., 1300 watts
GFCI three prong power cord

Model B70083 - with Lite-Touch™ Control

240V AC 50/60Hz - 6 amp., 1300 watts
Three wire harness

Model B70582 (UL/C-UL Approved) - with IntelliKEN Touch™ Control

120V AC 50/60Hz - 11 amp., 1300 watts
GFCI three prong power cord

Model B70583 - with IntelliKEN Touch™ Control

240V AC 50/60Hz - 6 amp., 1300 watts
Three wire harness

Overall Dimensions: 21" x 12" x 9 5/16"
533mm x 305mm x 237mm



KENYON Logo, Lite-Touch Q, All Seasons, SilKEN, KENYON PUPS, City Grill and all related materials are trademarks of Kenyon International, Inc. ©2016 Kenyon International, Inc. All Rights Reserved. Specifications subject to change without notice. Printed in U.S.A. 1-2021.

The Floridian Grill has an oval shaped double lined lid which locks in the heat while keeping the exterior of the lid from becoming searing hot. Available in portable and built-in units which are engineered for indoor or outdoor use. The concealed electric element eliminates grease flare-ups while providing a virtually smokeless heat source.

Choose between 2 different touch controls:

New - IntelliKEN Touch™ Control

IntelliKEN is a waterproof touch control system that integrates the latest swipe technology with user-friendly features such as Precision Control (PC) and Direct Temperature Feedback (DTF). Precision Control allows you to select the power setting (1 – 16) best suited for the food being cooked or the temperature you desire (150°F – 550°F). Direct Temperature Feedback (DTF) is our patent pending system giving you the ability to cook by temperature and time. Simply adjust the control to the desired temperature setting, set the timer and your dish is cooked to the correct temperature and time.

Lite-Touch™ Control

Lite-Touch™ is our traditional control. Simply touch the On/Off circle and then raise or lower the heat setting by pressing the (+) or (-) graphic on the sealed moisture proof ceramic glass panel and you are instantly cooking!

The Kenyon Floridian All Seasons™ Grill is constructed of the highest quality, marine-grade stainless steel. And as all Kenyon products, backed by uncompromising quality, exclusive 3-year product replacement warranty, and the best customer service in the industry.

KENYON®

Kenyon International, Inc.
P.O. Box 925, Clinton, CT 06413
Tel: 860.664.4906
Fax: 860.664.4907
www.CookWithKenyon.com