

# RIO GRILL



Grill your favorite food to perfection year-round. Electric ceramic glass touch controls and non-stick grate. Experience the pleasure of grilling with the ease of clean-up.

## AVAILABLE:



# KENYON®

*Make any day a weekend*



Kenyon International, Inc. building quality specialty cooking appliances since 1931.

# RIO GRILL

## Rio Grill Built-In Units

### Model B70085 (UL/C-UL Approved) - with Lite-Touch™ Control

120V AC 50/60Hz - 11 amp., 1300 watts  
GFCI three prong power cord

### Model B70086 - with Lite-Touch™ Control

240V AC 50/60Hz - 6 amp., 1300 watts  
Three wire harness

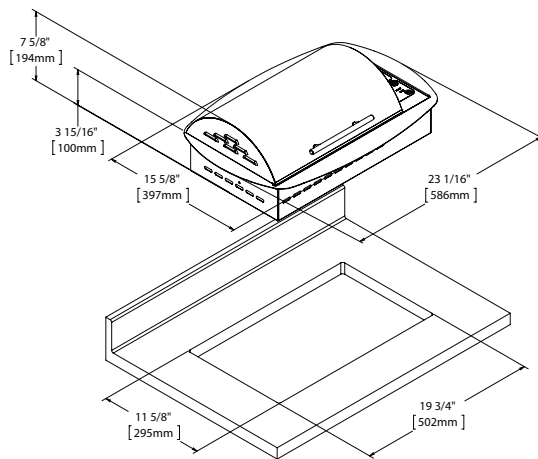
### Model B70585 (UL/C-UL Approved) - with IntelliKEN Touch™ Control

120V AC 50/60Hz - 11 amp., 1300 watts  
GFCI three prong power cord

### Model B70586 - with IntelliKEN Touch™ Control

240V AC 50/60Hz - 6 amp., 1300 watts  
Three wire harness

Overall Dimensions: 23 1/16" x 15 5/8" x 4 15/16" (8 5/8" with lid)  
586mm x 397mm x 125mm (219mm with lid)  
**(Depth includes the drain fitting not shown in drawing)**  
Cutout Dimensions: 19 3/4" x 11 5/8" with 1/4" radius  
502mm x 295mm with 6mm radius



The distinguishing feature of the Rio Grill is a rounded flange that provides a classy look when installed. Designed to enhance the grilling experience, the Rio Grill is safe, easy to use and flare-up and smoke free.

Choose between 2 different touch controls:

### New - IntelliKEN Touch™ Control

IntelliKEN is a waterproof touch control system that integrates the latest swipe technology with user-friendly features such as Precision Control (PC) and Direct Temperature Feedback (DTF). Precision Control allows you to select the power setting (1 - 16) best suited for the food being cooked or the temperature you desire (150°F - 550°F). Direct Temperature Feedback (DTF) is our patent pending system giving you the ability to cook by temperature and time. Simply adjust the control to the desired temperature setting, set the timer and your dish is cooked to the correct temperature and time.

### Lite-Touch™ Control

Lite-Touch™ is our traditional control. Simply touch the On/Off circle and then raise or lower the heat setting by pressing the (+) or (-) graphic on the sealed moisture proof ceramic glass panel and you are instantly cooking!

The Kenyon Rio All Seasons™ Grill is constructed of the highest quality, marine-grade stainless steel. And as all Kenyon products, backed by uncompromising quality, exclusive 3-year product replacement warranty, and the best customer service in the industry.

# KENYON®

Kenyon International, Inc.  
P.O. Box 925, Clinton, CT 06413  
Tel: 860.664.4906  
Fax: 860.664.4907  
[www.CookWithKenyon.com](http://www.CookWithKenyon.com)



KENYON Logo, Lite-Touch Q, All Seasons, SilKEN, KENYON PUPS, City Grill and all related materials are trademarks of Kenyon International, Inc. ©2016 Kenyon International, Inc. All Rights Reserved. Specifications subject to change without notice. Printed in U.S.A. 1-2021.