

no lid grill



Enjoy fire-safe
flame-free electric
grilling! A safe
method of grilling
without the hazard
of open flames
associated with
propane gas or
charcoal.

AVAILABLE:



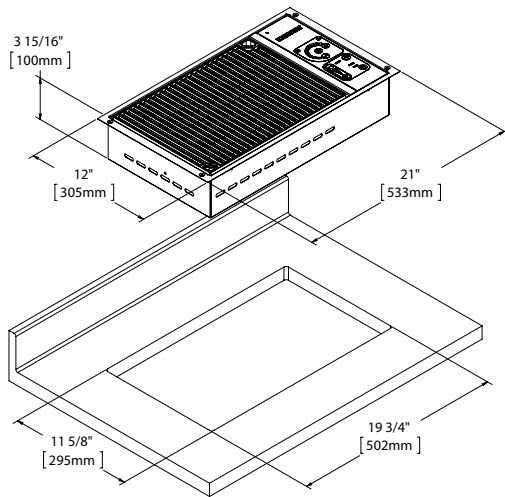
KENYON®

Make any day a weekend



Kenyon International, Inc. building quality
specialty cooking appliances since 1931.

no lid grill



No Lid Built-In Grill

Model B70060 - Landscape Mounting - (UL/C-UL Approved) - with Lite-Touch™ Control

120 V AC 50/60 Hz - 11 amp., 1300 watts
GFCI three prong power cord

Model B70061 - Landscape Mounting - with Lite-Touch™ Control

240 V AC 50/60 Hz - 6 amp., 1300 watts
Three wire harness

Model B70062 - (UL/C-UL Approved) - Portrait Mounting - with Lite-Touch™ Control

120 V AC 50/60 Hz - 11 amp., 1300 watts
GFCI three prong power cord

Model B70067 - Portrait Mounting - with Lite-Touch™ Control

240 V AC 50/60 Hz - 6 amp., 1300 watts
Three wire harness

Model B70560 - (UL/C-UL Approved) - Landscape Mounting - with IntelliKEN Touch™ Control

120 V AC 50/60 Hz - 11 amp., 1300 watts
GFCI three prong power cord

Model B70561 - Landscape Mounting - with IntelliKEN Touch™ Control

240 V AC 50/60 Hz - 6 amp., 1300 watts
Three wire harness

Overall Dimensions: 21" x 12" x 4 15/16"
533mm x 305mm x 125mm
(Depth includes the drain fitting not visible in drawing)

Cutout Dimensions: 19 3/4" x 11 5/8" with 1/4" radius
502mm x 295mm with 6mm radius

SilKEN® Grill Lid



Model B96018 - Lift-Off Lid

Model B96019 - Hinged Lid

Enhance your grilling experience with the **NEW** SilKEN® collapsible lid. Through the use of high temperature silicone, the lid can collapse to a height of two inches and remove for storage.

Frontier Lid with Top Handle



Model B96003

Perfect for any of Kenyon's lidless grills. Ideal for tight areas. Constructed of marine-grade 304 stainless steel.

The No Lid Grill has all of the cooking power of the rest of Kenyon's Electric Grills except it is missing one key feature, the lid. This allows users with limited height clearance an easy solution as a flat top surface. Featuring a simple, elegant design, the No Lid Grill will add class to any kitchen or galley.

Choose between 2 different touch controls:

New - IntelliKEN Touch™ Control

IntelliKEN is a waterproof touch control system that integrates the latest swipe technology with user-friendly features such as Precision Control (PC) and Direct Temperature Feedback (DTF). Precision Control allows you to select the power setting (1 - 16) best suited for the food being cooked or the temperature you desire (150°F - 550°F). Direct Temperature Feedback (DTF) is our patent pending system giving you the ability to cook by temperature and time. Simply adjust the control to the desired temperature setting, set the timer and your dish is cooked to the correct temperature and time.

Lite-Touch™ Control

Lite-Touch™ is our traditional control. Simply touch the On/Off circle and then raise or lower the heat setting by pressing the (+) or (-) graphic on the sealed moisture proof ceramic glass panel and you are instantly cooking!

The Kenyon No Lid All Seasons™ Built-In Grill is constructed of the highest quality, marine-grade stainless steel. And as all Kenyon products, backed by uncompromising quality, exclusive 3-year product replacement warranty, and the best customer service in the industry.

KENYON®

Kenyon International, Inc.
P.O. Box 925, Clinton, CT 06413
Tel: 860.664.4906
Fax: 860.664.4907
www.CookWithKenyon.com



KENYON Logo, Lite-Touch Q, All Seasons, SilKEN, KENYON PUPS, City Grill and all related materials are trademarks of Kenyon International, Inc. ©2016 Kenyon International, Inc. All Rights Reserved. Specifications subject to change without notice. Printed in U.S.A. 1-2021.