

big american



The Big American Grill™ is revolutionizing the art of outdoor cooking. The ultimate experience for grilling fanatics, delivering culinary performance with the ultimate ease of use.

KENYON®

Make any day a weekend



Kenyon International, Inc. building quality specialty cooking appliances since 1931.

big american

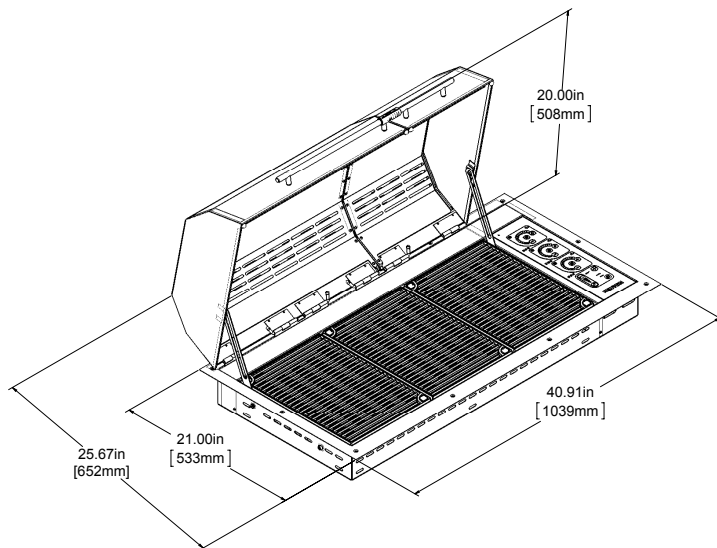
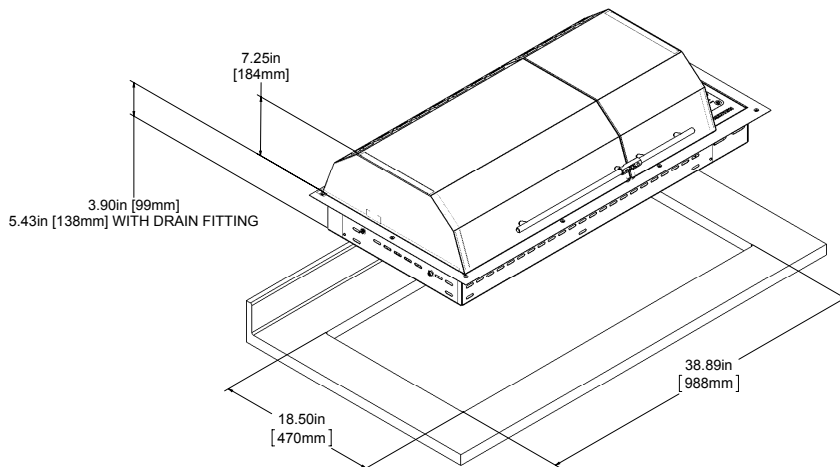
Big American Grill™ - Built-In

Model B70430

240V AC 50/60Hz - 20 amp., 4500 watts
Three wire harness

Overall Dimensions: 40.91" x 21" x 5.5" (12.5" with lid)
1039mm x 533mm x 139.7mm (317.5mm with lid)

Cutout Dimensions: 38.89" x 18.5"
988mm x 470mm



Take your grilling to a new level and enjoy culinary performance.

Expand your cooking possibilities with the Big American Grill™. The new standard for electric grilling which is stylish on the outside and cooks gourmet meals on the inside. Three times the size of the standard grills, the Big American Grill™ has 3 independently controlled 1500 watt elements. Cook simultaneously at different heat levels and enjoy sizzling seared steaks to low-and-slow barbecue.

The grates conceal the electric elements redirecting grease and juices into the drip trays preventing flareups. Taste the difference as the heat from the element is evenly and quickly distributed to the grilling surface locking in food's natural moisture and flavor. The stainless steel lid splits for easy access to one side of the grill giving you the capability to continue grilling without disturbing the cooking temperature on the other side.

New - IntelliKEN Touch™ Control

IntelliKEN is a waterproof touch control system that integrates the latest swipe technology with user-friendly features such as Precision Control (PC) and Direct Temperature Feedback (DTF). Precision Control allows you to select the power setting (1 - 16) best suited for the food being cooked or the temperature you desire (150°F - 550°F). Direct Temperature Feedback (DTF) is our patent pending system giving you the ability to cook by temperature and time. Simply adjust the control to the desired temperature setting, set the timer and your dish is cooked to the correct temperature and time.

The Big American Grill™ is constructed of the highest quality, marine-grade stainless steel. And as all Kenyon products, backed by uncompromising quality, exclusive 3-year product replacement warranty, and the best customer service in the industry.

KENYON®

Kenyon International, Inc.
P.O. Box 925, Clinton, CT 06413
Tel: 860 664-4906
Fax: 860 664-4907
www.CookWithKenyon.com



Tested to UL-1026

KENYON Logo, Lite-Touch Q, All Seasons, SiIKEN, KENYON PUPS, City Grill and all related materials are trademarks of Kenyon International, Inc. ©2016 Kenyon International, Inc. All Rights Reserved. Specifications subject to change without notice. Printed in U.S.A. 1-2021.