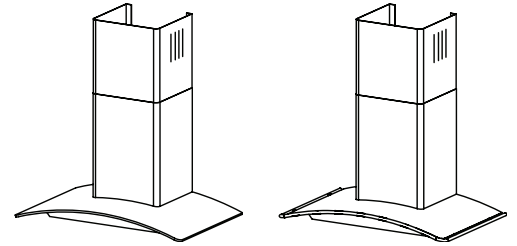


### B56 & B57 SERIES RANGE HOODS



Gently curving glass or metal canopy creates a dramatic, contemporary appearance and an open, airy feel.

#### FEATURES

- Wall mount
- Finish: 430 Stainless Steel #4 Brushed
- Widths: 29-1/2"; 35-7/16"
- Telescopic flue accommodates 8' to 9' ceilings
- 6" round duct connector/backdraft damper
- Convertible to non-ducted operation - requires Model RK56 (sold separately)
- Halogen lighting (2 x 20 watt, 12V, Type JC 12V 20W G4 Base) (bulbs included)
- 5 push-button controls: blower on-off, blower low speed, blower medium speed, blower high speed, light on-off
- Single centrifugal blower
- Dishwasher-safe filter features a quick-release latch
- Cord-connected

#### OPTIONS

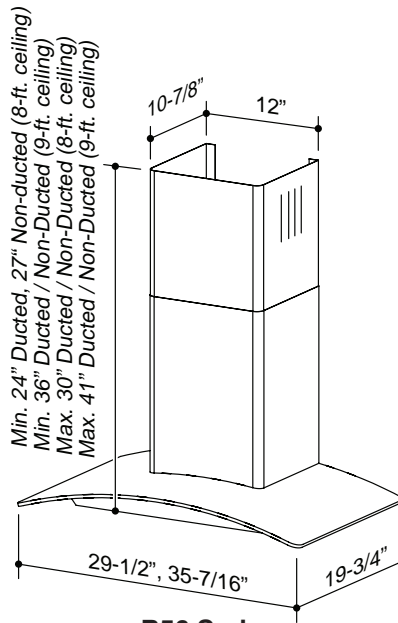
- Replacement grease filters available
- Flue extension for 10' ceiling (Model FXN56SS) (32-3/8" long) (ducted or non-ducted)
- Replacement non-ducted recirculating filters available (Model ROUNDFILTER)

#### SPECIFICATIONS

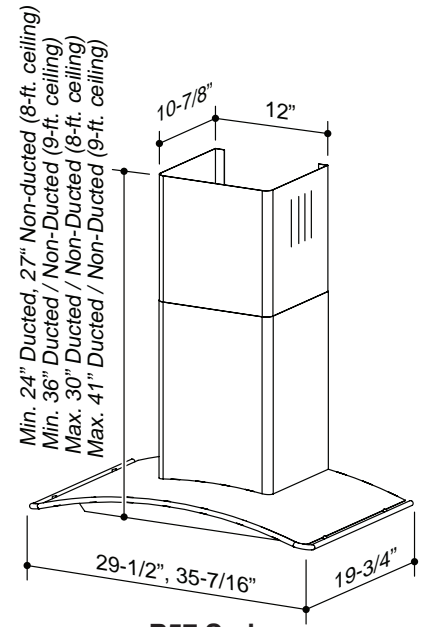
VOLTS	AMPS	CFM	SONES	DUCT
120	3.3	450 (high) 200 (low)	8.5 (high) 2.5 (low)	6" round



HVI-2100 CERTIFIED RATINGS comply with new testing technologies and procedures prescribed by the Home Ventilating Institute, for off-the-shelf products, as they are available to consumers. Product performance is rated at 0.1 in. static pressure, based on tests conducted in a state-of-the-art test laboratory. Sones are a measure of humanly-perceived loudness, based on laboratory measurements.



**B56 Series**

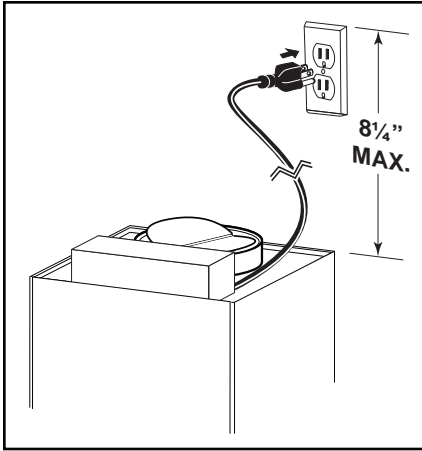


**B57 Series**

Broan-NuTone LLC Hartford, Wisconsin www.broan.com 800-558-1711

REFERENCE	QTY.	REMARKS	Project
			Location
			Architect
			Engineer
			Contractor
			Submitted by Date

# B56 & B57 SERIES WIRING



## 1. GROUNDING INSTRUCTIONS

This appliance must be grounded. In the event of an electrical short circuit, grounding reduces the risk of electric shock by providing an escape wire for the electric current. This appliance is equipped with a cord having a grounding wire with a grounding plug. The plug must be plugged into an outlet that is properly installed and grounded.

- Position the electrical outlet within the space covered by the decorative flue and where it will not interfere with the round duct. Make sure the outlet is no further than 8 1/4" from where the cord exits from the hood and that the outlet does not interfere with a mounting bracket fastening area or where the decorative flue touches the wall.

# B56 & B57 SERIES MOUNTING

- Construct wood wall framing that is flush with interior surface of wall studs.

Make sure:

- the framing is centered over installation location.
- the height of the framing will allow the mounting bracket to be secured to the framing within the dimensions shown.

- After wall surface is finished, carefully center and level the hood mounting bracket and secure it to wall framing with (3) #8 x 1-1/2" mounting screws. Tighten the screws completely.

NOTE:

### On 8-ft. ceilings

Hood distance above cooktop is:

Minimum 30", Maximum 36" (for ducted discharge)

Minimum 30", Maximum 33" (for non-ducted discharge)

### On 9-ft. ceilings

Hood distance above cooktop is:

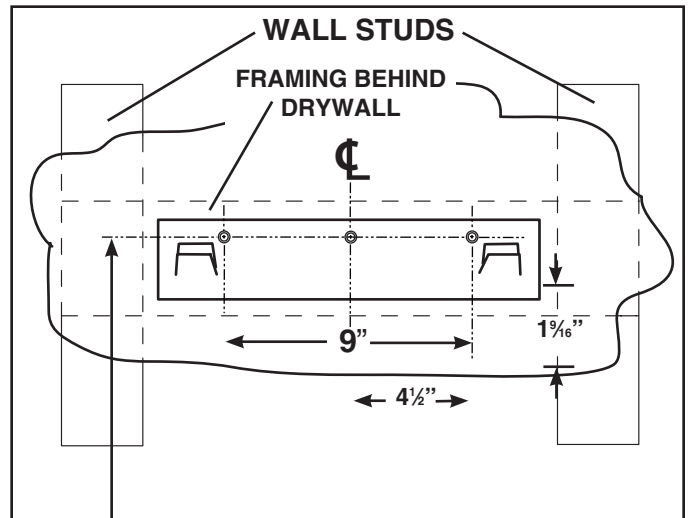
Minimum 31", Maximum 36" (for both ducted and non-ducted discharge)

### On 10-ft. ceilings

Hood distance above cooktop is:

Minimum 31", Maximum 36" (for both ducted and non-ducted discharge).

**NOTE: 10-ft. ceilings require 10-ft. Flue Extension, Model FXN56SS for ducted or non-ducted installations (purchase separately).**



42 1/2" = bottom of hood 30" above cooktop  
48 1/2" = bottom of hood 36" above cooktop

**MOUNTING BRACKET LOCATION (ABOVE 36" HIGH COOKTOP)**

CEILING HEIGHT	DUCT METHOD	HOOD DISTANCE ABOVE 36" COOK TOP (SEE NOTE 1)						
		30"	31"	32"	33"	34"	35"	36"
		MOUNTING BRACKET LOCATION ABOVE 36" HIGH COOK TOP						
8 FEET	DUCTED	42-1/2"	43-1/2"	44-1/2"	45-1/2"	46-1/2"	47-1/2"	48-1/2"
	NONDUCTED	42-1/2"	43-1/2"	44-1/2"	45-1/2"			
9 FEET	DUCTED OR NONDUCTED		43-1/2"	44-1/2"	45-1/2"	46-1/2"	47-1/2"	48-1/2"
10 FEET	DUCTED OR NONDUCTED WITH FXN56SS		43-1/2"	44-1/2"	45-1/2"	46-1/2"	47-1/2"	48-1/2"

NOTES:

- Minimum hood distance above cooktop must not be less than 30".

A maximum of 36" above the cooktop is highly recommended for best capture of cooking impurities.

Distances over 36" above the cooktop are at the installer's and user's discretion - providing that ceiling height and flue length permit.

