

# Lite-Touch Q<sup>®</sup> *glacier*



Integrating the visual effect of knob control with the ease of touch. Easily slips into existing countertop openings from obsolete coil cooktops.

**KENYON<sup>®</sup>**

*Make any day a weekend*



Kenyon International, Inc. building quality specialty cooking appliances since 1931.

# Lite-Touch Q®

Smooth surface, round edged  
ceramic glass

## Two Burner Units

### Model \*B41796

120 V AC 50/60 Hz - 22 amp.  
1 - 6 1/2" (165mm) @ 1200 watts  
1 - 8" (200mm) @ 1400 watts

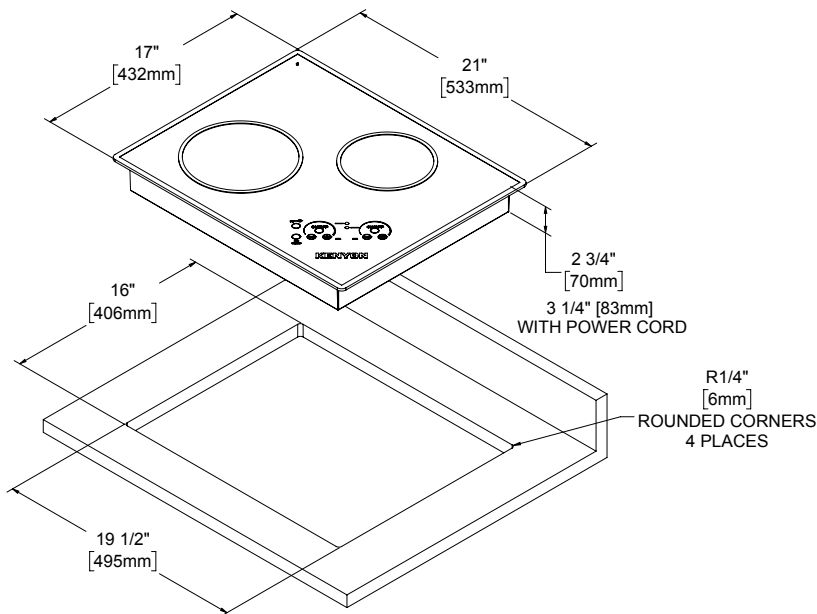
### Model \*B41798

208 V AC 50/60 Hz - 15 amp.  
1 - 6 1/2" (165mm) @ 1200 watts  
1 - 8" (200mm) @ 1800 watts

### Model \*B41797

240 V AC 50/60 Hz - 13 amp.  
1 - 6 1/2" (165mm) @ 1200 watts  
1 - 8" (200mm) @ 1800 watts

Overall Dimensions: 21" x 17" x 3 1/4"  
533mm x 432mm x 83mm  
Cutout Dimensions: 19 1/2" x 16" with 1/4" radius  
495mm x 406mm with 6mm radius



**Sustainably conscious and cost effective, the Lite-Touch Q® Glacier cooktop will simplify and speed the renovation process!**

Now remodeling and upgrading to “green” specifications is possible sans costly and laborious countertop replacement. Sized to fit an existing standard coil cooktop opening and available in 120, 208 or 240 Volts. Steel colored graphics provide a sleek and polished look to the Lite-Touch Q® Glacier Series. The rounded edge design creates a beveled edged look. Smooth clear black glass, durable, and easy to clean, with safety features uniquely Kenyon.

The Lite-Touch Q® Glacier is programmed to automatically shut-off after 60 minutes if left on high or 90 minutes if left on low. Additional safety features include heat limiting cooking surface protectors, an *On* indicator light for each burner, and a *Hot* burner indicator light. Simply touch the ON/OFF circle and then raise or lower the heat setting by pressing the + or - graphic on the ceramic glass and start cooking.

All of the model numbers with an \* are also available as the T30 model with 30-minute automatic shut-off for all heat settings.

And as all Kenyon products, backed by uncompromising quality, exclusive 3-year product replacement warranty, and the best customer service in the industry.

# KENYON®

Kenyon International, Inc.  
P.O. Box 925, Clinton, CT 06413  
Tel: 860.664.4906  
Fax: 860.664.4907  
[www.CookWithKenyon.com](http://www.CookWithKenyon.com)



KENYON Logo, Lite-Touch Q, All Seasons, SilkEN, KENYON PUPS, City Grill and all related materials are trademarks of Kenyon International, Inc. ©2016 Kenyon International, Inc. All Rights Reserved. Specifications subject to change without notice. Printed in U.S.A. 3-2020.