



**AjMadison**  
Your Appliance Authority™  
800-570-3355

**B30IB800SP**



**BOSCH**

INSTALLATION INSTRUCTIONS  
INSTRUCTIONS D'INSTALLATION  
INSTRUCCIONES DE INSTALACIÓN



INSTALLATION INSTRUCTIONS .....	4
INSTRUCTIONS D'INSTALLATION .....	30
INSTRUCCIONES DE INSTALACIÓN .....	56




# Table of Contents

<b>Safety and warning information</b> .....	<b>5</b>
<b>Installation options</b> .....	<b>6</b>
Individual appliance .....	6
Individual appliances with partition .....	6
Individual appliance at the end of the kitchen .....	6
<b>Installation</b> .....	<b>7</b>
Installation room .....	7
Stable installation .....	7
Installation enclosure .....	7
Furniture .....	7
Floor .....	7
Aligning the appliance .....	7
<b>Connecting the power</b> .....	<b>8</b>
Grounding instruction .....	8
Additional grounding procedure .....	8
<b>Connecting the water</b> .....	<b>8</b>
<b>Installation dimensions</b> .....	<b>9</b>
<b>Required accessories and tools</b> .....	<b>10</b>
Supplied accessories .....	10
Optional accessories .....	10
Other required accessories .....	10
Other .....	10
Tools .....	10
<b>Installation instructions</b> .....	<b>11</b>
1. Checking the installation enclosure .....	11
2. Removing the packaging .....	11
3. Transport of the appliance .....	12
4. Installation preparation .....	12
5. Special installation .....	12
<b>A</b> 1. Attaching the anti-tip-brackets .....	13
2. Attaching an alternative anti-tip-device .....	14
3. Attaching an edge protection .....	14
4. Pushing the appliance into the installation enclosure .....	15

<b>B</b> 1. Aligning the appliance in the installation enclosure .....	16
2. Attaching the appliance to the installation enclosure .....	17

<b>C</b> 1. Attaching the toe kick panel .....	18
2. Aligning the base panel .....	18
3. Switching the appliance ON .....	19
4. Preparing the door panels .....	19
5. Loading the appliance door .....	19
6. Removing the positioning aid .....	19
7. Attaching the adjusting rail to the door panel (refrigerator compartment) .....	20
8. Attaching the fixation strips to the door panel (refrigerator compartment) .....	20
9. Attaching the adjusting rail to the door panel (freezer compartment) .....	21
10. Attaching the fixation strips to the door panel (freezer compartment) .....	22
11. Attaching the door panel (refrigerator compartment) .....	23
12. Attaching the door panel (freezer compartment) .....	24
13. Attaching the lower bracket .....	25
14. Attaching the strips .....	25
15. Adjusting the door spring .....	26
16. Mounting the air separator .....	26

<b>Special installation steps</b> .....	<b>27</b>
 1. Switching the door hinges .....	27
2. Preparing to connect the water .....	29
3. Connecting the water to the appliance ..	29
4. Adjusting the door opening angle .....	29



# Safety and warning information

These mounting instructions are designed to help you install your new appliance.

The manufacturer cannot be held liable for mounting which has been improperly carried out. We recommend that you allow a qualified specialist to set up and switch the appliance on for the first time.

Following all information and keeping to the instructions are preconditions for mounting and switching the appliance on safely for the first time.

Keep the mounting instructions safe for use later on.

Before setting up and switching the appliance on for the first time, read the mounting instructions fully and thoroughly.

## WARNING

These appliances are top-heavy and must be secured to prevent the possibility of tipping forward.

Anti-tip protection is required.

Keep doors closed until the appliance is completely installed and secured per installation instructions.

Due to the weight and size of this appliance, and to reduce the risk of personal injury or damage to the product – TWO PEOPLE ARE REQUIRED FOR PROPER INSTALLATION.

This appliance must be properly grounded. See the section on “Connecting the power”.

Use this appliance only for its intended purpose.

Immediately repair or replace electric service cords that become frayed or damaged.

Unplug the appliance or switch off the fuse before cleaning or making repairs.

Repairs should be made by a qualified service technician.

## CAUTION

Installation of this appliance requires basic mechanical, carpentry and plumbing skills.

Proper installation is the responsibility of the installer.

Product failure due to improper installation is not covered under the Appliance Warranty.

See the Owner's Manual for warranty information.

## IMPORTANT

Save these instructions for local inspector's use. Observe all governing codes and ordinances.

**Note to Installer** – Be sure to leave these instructions with the Consumer.

**Note to Consumer** – Keep these instructions with your Owner's Manual for future reference.

## General

These installation instructions are intended for use by qualified installers. All connections for water, electrical power and grounding must comply with local codes and ordinances and be made by licensed personnel when required. In the absence of a local code:

- In the U.S.A., in accordance with the National Electric Code, ANSI/NFPA70 – latest edition/State and Municipal codes and/or local codes.
- In Canada, in accordance with the Canadian Electric Code C22.1 – latest edition/Provincial and Municipal codes and/or local codes.

## Definitions



### WARNING

This indicates that death or serious injuries may occur as a result of not observing this warning.



### CAUTION

This indicates that minor or moderate injuries or damage may occur as a result of not observing this warning.

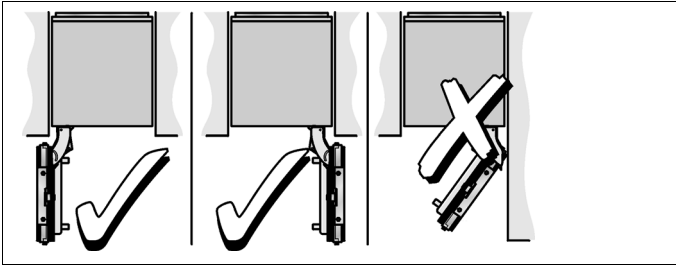
### Note:

This is used to draw the user's attention to something in particular.

## Installation options

There are many different installation options. These are limited only by the design of the kitchen. See also "Kitchen Design Quick Reference".

### Individual appliance



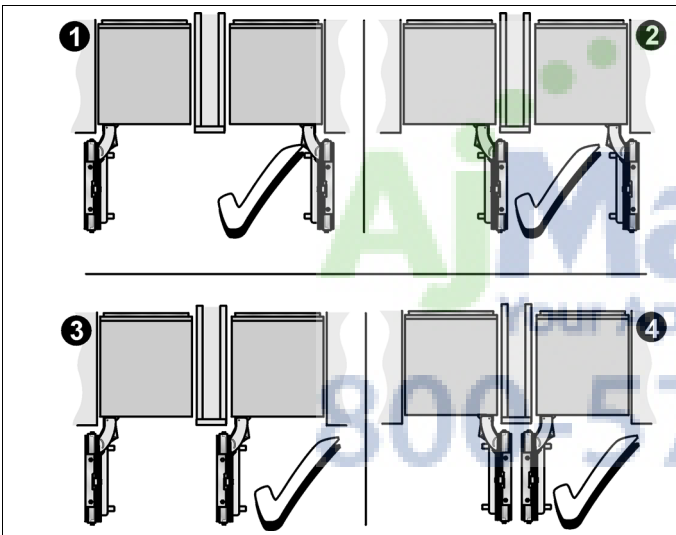
### Individual appliance at the end of the kitchen

If one side of the appliance is visible, a side panel must be used.

The side panel must be connected firmly to the wall, the floor and overhead cabinet/fixtures before the appliance is placed in the installation enclosure.

The dimensions of the side panel are taken from the opposite installation enclosure wall. During installation ensure that the installation enclosure is square and the proper size.

### Individual appliances with partition



- When dimensioning the partition for model 4, note the thickness of the door panels to prevent damage if the doors are opened at the same time.
- Use the Heater Kit for Side-by-Side Installation if the gap between the appliances is less than 6" (160 mm).  
See the section on "Required accessories and tools/Optional accessories".
- Minimum thickness of the partition  $\frac{5}{8}$ " (16 mm).

## Installation

### **⚠ WARNING:**

Do not install the appliance:

- outdoors,
- in an environment with dripping water,
- in rooms which are less than 55 °F (0 °C).

Appliance is very heavy:

BottomFreezer 30" (762 mm):	Empty weight approx. 430 lbs/195 kg
--------------------------------	--

## Installation room

The appliance should be installed in a dry, ventilated room.

The ambient temperature should not drop below 55 °F (13 °C) or rise above 110 °F (43 °C), otherwise malfunctions may occur.

The installation location should not be exposed to direct sunlight and not placed near a heat source, such as an oven, radiator, etc. If installation next to a heat source is unavoidable, use a suitable insulating plate or observe the following minimum distances from the heat source:

- 1<sup>1</sup>/<sub>4</sub>" (30 mm) from an electric range,
- 12" (300 mm) from a gas range.

## Stable installation

The appliance is very heavy and has a tendency to tilt forwards when the appliance door is opened.

Do not open the door until there is no possibility of the appliance tilting over.

The safest method of installing the appliance in a stable position is to use the supplied anti-tip devices.

If the installation enclosure is adequately stable and the appliance can be attached securely to the upper and side walls of the installation enclosure, this may provide additional stability. A prerequisite for this is always a firm connection between the installation enclosure and back wall!

If in doubt, contact an architect or a building expert.

## Installation enclosure

### **Note:**

It is strongly recommended the top panel of the niche be of solid material at least 5/8" (16 mm) thickness. If, for some reasons, a separate niche cabinet is created, make sure that the furniture return area is at least 4" deep.

It is important to observe the specified dimensions of the installation enclosure for a trouble-free installation of the appliance.

In particular ensure that the installation enclosure is square.

Squareness can be checked by suitable means, e.g. level, diagonal measurements, etc.

## Furniture

The new appliance must be screwed securely to adjacent and overhead furniture.

For this reason it is essential that all attachable furniture are connected securely to the floor or the wall by suitable means.

## Floor

### **⚠ WARNING:**

A fully-loaded appliance is very heavy – for the loadbearing capacity minimum see the following:

BottomFreezer 30" (762 mm)	approx. 930 lbs/420 kg
-------------------------------	------------------------

To ensure that the appliance is installed securely and functions properly, the floor must be flat and level.

The floor must be made of a hard, rigid material.

The floor in the installation area must be at the same level as the rest of the room (no step up or down).

On account of the heavy weight of a fully loaded appliance, a load-bearing floor is required. If in doubt, contact an architect or a building expert.

## Aligning the appliance

To ensure that the appliance functions correctly, it must be levelled properly.

If the appliance is not level, water may flow out of the ice maker, ice cubes may be irregular or the doors may not close properly.



## Connecting the power

### WARNING

- Avoid the risk of an electric shock!
- Insert into a grounded 3-phase socket. Never remove grounding phase. Do not use any adapters. Do not use any extension cables.
- Non-compliance with these instructions may result in death, fire or an electric shock. Improper connection of the protective conductor may result in an electric shock. If you are in doubt whether the appliance has been grounded properly, have the appliance tested by a qualified electrician or service technician.

The socket must be near the appliance and also freely accessible following installation of the appliance. The appliance complies with protection class I. Connect the appliance to 115 V/60 Hz alternating current via a correctly installed socket with protective conductor. The socket must be fused with a 10 to 16 A fuse.

The appliance comes with a UL registered 3-wire power cord. The appliance requires a 3-pole socket. Please observe the following table with regard to this:

Appliance	Maximal load at one time
BottomFreezer 30" (762 mm)	6.0 Ampere

Check on the rating plate whether the indicated voltage and current type correspond with the values of your power supply. The location of the rating plate can be found in the chapter entitled Customer service.

### WARNING

Never connect the appliance to electronic energy saver plugs. Our appliances can be used with mains and sine-controlled inverters. Mains-controlled inverters are used for photovoltaic systems which are connected directly to the national grid. Sine-controlled inverters must be used for isolated applications (e.g. on ships or in mountain lodges) which are not connected directly to the national grid.

## Connecting the water

### CAUTION

Only connect the appliance to drinking water!

The water may be connected only by a competent fitter according to the local regulations of the appropriate water supply company.

A cold water connection is necessary for operating the automatic ice maker. The water pressure must be between 25 and 120 p.s.i. (1,72 and 8,25 bar). The installation must correspond to the local plumbing regulations.

A separate shut-off valve should be installed in the cold-water inflow. The shut-off valve should not be located behind the appliance. It is recommended that you mount the shut-off valve directly next to the appliance or at another place which is easily accessible. When installing the water connection, pay attention to the permissible installation area for the water mains.

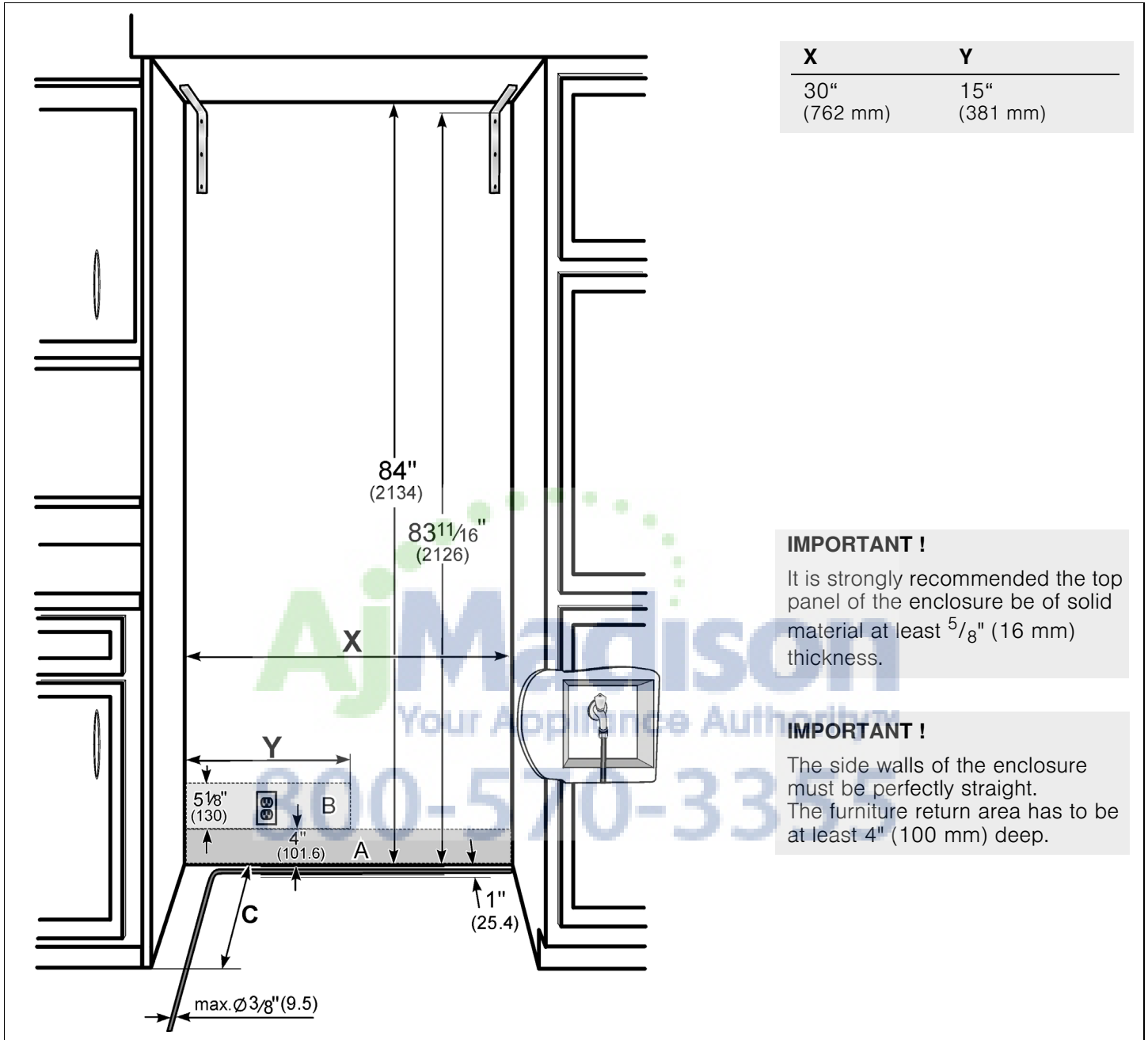
For connection to the drinking water mains use only water pipes which are suitable for drinking water. Observe national regulations and the connection conditions of the local water supply companies.

When installing the water connection, observe the permitted installation areas for the pipe. For the permitted installation areas and dimensions see "Installation dimensions".

Maximum outer diameter of the water pipe (without fittings):  $\frac{3}{8}$ " (9.5 mm).



# Installation dimensions



**Legend:**

- A Area for installation of the water connection  
It is recommended the water-box be placed adjacent to the installation enclosure, so that it can be accessed for service without uninstalling the appliance. If this is not possible, place the recessed water box within the shaded area.
- B Area for installation of the power connection
- C Opening depth of enclosure, depending on kitchen design  
C = 24" (610 mm) minimum

## Required accessories and tools

### Supplied accessories

- Installation instructions
- Operating instructions
- Installation kit

### Optional accessories

#### Heater Kit for Side-by-Side Installation XHEATHKIT10

If the gap between the appliances is less than 6" (160 mm).

### Other required accessories

#### Ice maker installation kit 1/4" OD copper line

For connecting appliances which require water, e.g. for an ice maker.

### Other

- Stepladder
- Dolly, hand truck
- Hammer drill for drilling holes in wall or floor
- Bits according suitable for material and in different sizes
- Wooden beam (cross section min. 3" x 4") as an alternative tip protection, length according to the width of the installation enclosure
- Wooden screws in different sizes
- Thin plywood sheet, particle board or cardboard to protect the floor from damage
- Suitable material for covering and protecting furniture (e.g. protective sheets)
- Adhesive tape

#### Note:

Before using, check whether the removed adhesive tape leaves adhesive residue on the work surfaces! Otherwise do not use on high-quality work surfaces.

## Tools



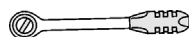
Cordless screwdriver



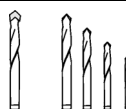
Torx bit T20 and T30 + magnetic holder



Torx screwdriver T20



5/16" (8 mm) hex nut driver



Wood drills in different sizes



Open end wrench 1/2" (Width across flats 13 mm)



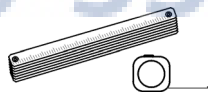
Multigrip pliers



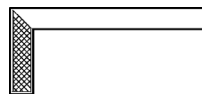
Adjustable wrench



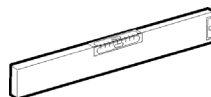
Cutter with adjustable blade



Metal tape measure, folding rule



Square



Level, length 2' (60 cm) and 4' (1,2 m)

## Installation instructions

The following installation instructions describe the installation steps for various appliance types.

Therefore the diagrams may be a general representation of your appliance.

Particular reference is made to special installation steps for individual appliance types.

### 1. Checking the installation enclosure

#### ⚠ CAUTION:

Use the following check list for a safe and trouble free installation.

1. Check the floor.  
See section on "Installation/Floor".
2. Check the dimensions of the installation enclosure, see "Installation dimensions".
3. Check that the installation enclosure is square.
4. Check location of the socket.  
See section on "Connecting the power" and in the section on "Installation dimensions".
5. Check location of the water connection (only for appliances with ice maker).  
See section on "Connecting the water" and in the section on "Installation dimensions".
6. Check attachment of the adjacent cabinet/fixtures. All cabinet parts in the vicinity of the appliance must be connected securely to the wall.
7. Check that adjacent cabinet/fixtures have adequate clearance (door opening angle).

### 2. Removing the packaging

#### ⚠ WARNING:

Be careful, otherwise people who are helping may be injured or the appliance may be damaged!

- The appliance may tip over while it is being unpacked or if the doors are opened.
- The appliance is very heavy.

#### Note:

Check appliance for damage in transit.

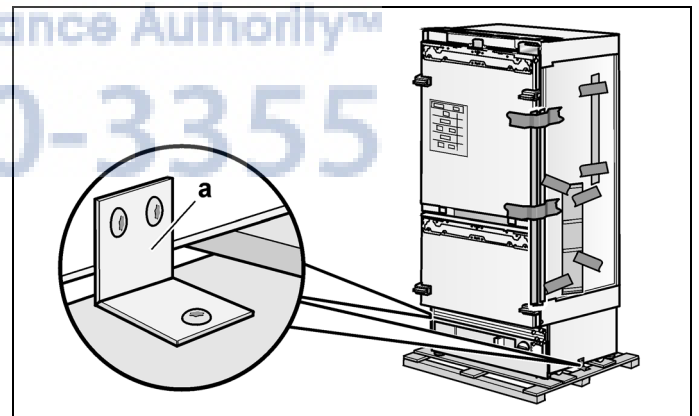
Do not install the appliance if it is visibly damaged. If in doubt, contact your dealer.

To avoid floor damage:

1. Remove the packaging carton and be careful not to damage the surface of appliance.
2. Place packaging cardboard or plywood under the appliance.
3. Remove accessories from the outside of the appliance.

Save adhesive tape which was used to attach the supplied accessories to the appliance. It can be used subsequently for attaching an edge protection to the installation enclosure walls (see section on "A / 3. Attaching an edge protection").

4. Remove transportation protection devices (a) and lift appliance off the pallet – appliance is very heavy!



5. Carefully open the appliance – risk of tipping over – and remove accessories and installation materials from inside the appliance. Close the door again.

#### Note:

Do not remove transportation safety devices which protect the shelves and storage compartments inside the appliance until the installation is complete, otherwise the parts may be damaged.

### 3. Transport of the appliance

#### ⚠ WARNING:

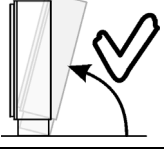
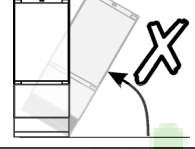
Be careful, otherwise people who are helping may be injured or the appliance may be damaged. The appliance is very heavy.

The appliance is 83 <sup>1</sup>/<sub>8</sub>" (2126 mm) tall. If the appliance cannot be transported in an upright position, the appliance can be transported horizontally.

#### Note:

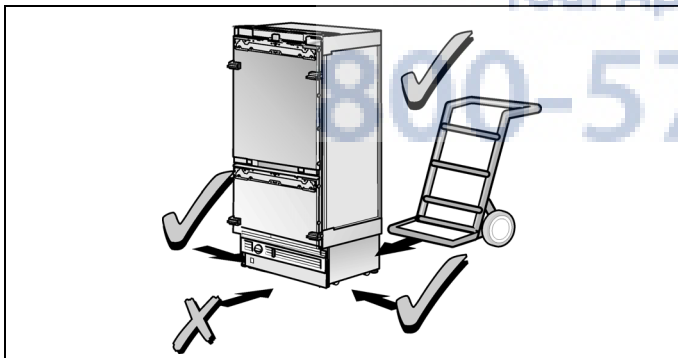
Do not raise up the appliance via the side panels. Risk of damage to the appliance!

When raising up the appliance, observe the required minimum height at the installation location according to the following table:

Raise up via appliance rear	Do not raise up from appliance side
	
Minimum height 86"/2185 mm	Do not raise up the appliance via the side panels!

#### Note:

Always use the appliance dolly from the rear side of the appliance. Never push it in from the front under the appliance. Risk of damage to the appliance!

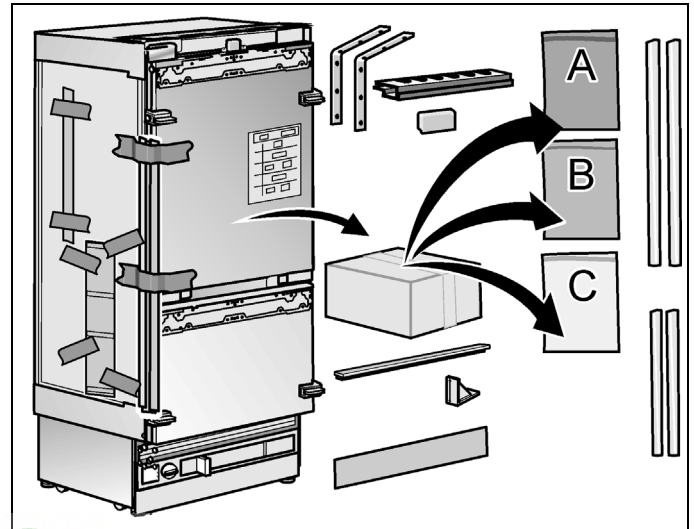


1. Transport the appliance to a suitable installation location with suitable means of transportation (trolley, lifting truck or hand).
2. Secure the appliance during transportation to prevent it from tipping.

### 4. Installation preparation

Unpack installation materials and accessories.

To simplify installation, the packages are identified with labels A, B and C corresponding with the manual sections.



### 5. Special installation

The following symbol indicates that additional steps need to be taken before proceeding to the next chapter.

Special installation steps are described after section C.



- Change over door hinge, see "Special installation".
- Connecting the water, see "Preparing to connect the water" and "Preparing to connect the water".
- Door limitation pin, see "Adjusting the door opening angle".

# 1. Attaching the anti-tip-brackets

**⚠ WARNING:**

Risk of injury and damage!  
Assure that there are no electrical wires or plumbing in the area which the screws could penetrate.

**⚠ CAUTION:**

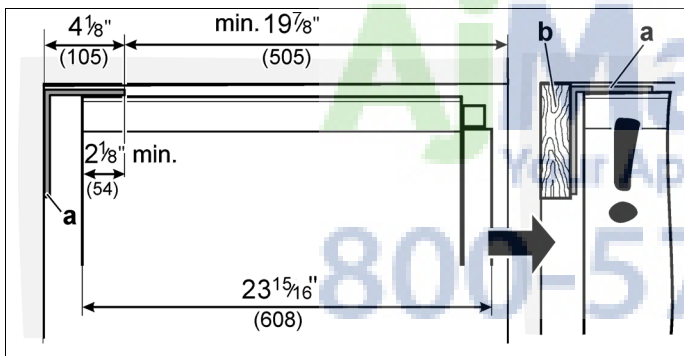
Risk of injury!  
Always wear safety glasses and other necessary protective devices or apparel when installing or working with dowels.

**Note:**

- 2 anti-tip-brackets are required for the appliance.
- The supplied set contains fastening screws for various applications. Select the fastening screws according to the local conditions.

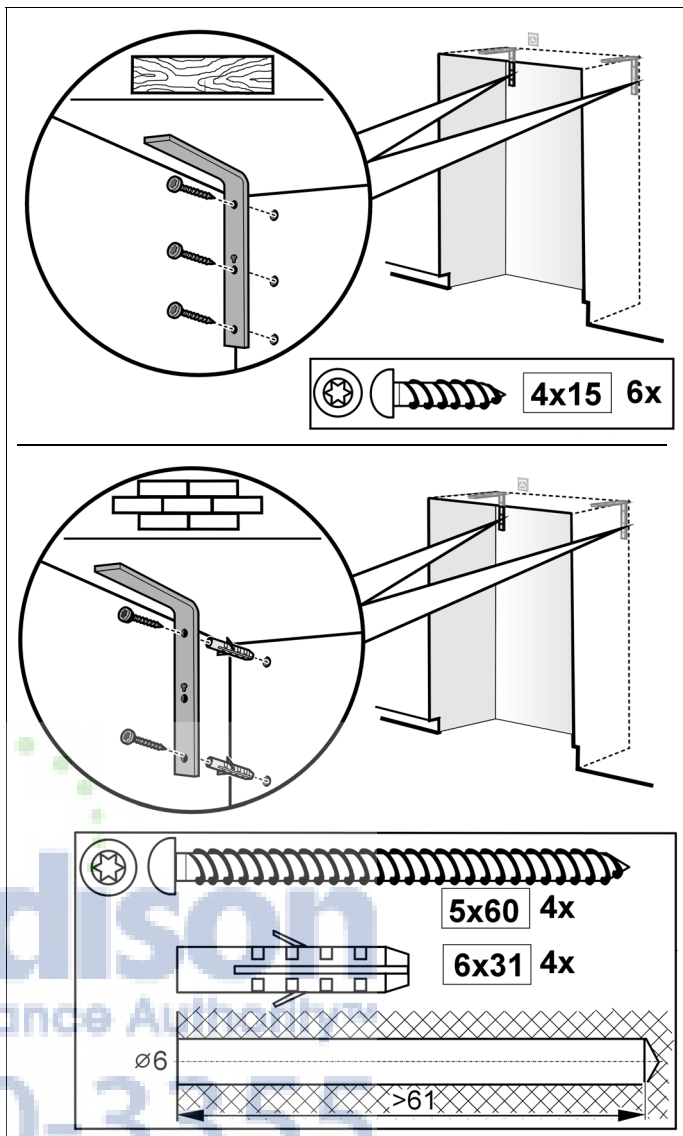
The anti-tip-brackets (a) must overlap a minimum of 2 1/8" (54 mm) over the appliance to secure the appliance.

If this minimum length cannot be observed for structural conditions it is possible to do this by fastening a spacer (b) behind the anti-tip angle, e.g. a sufficiently dimensioned wood board.



The length of the plank should correspond to the width of the installation niche!

1. Specify the attachment points of the anti-tip-brackets according to the section on "Installation dimensions".
2. Attach the anti-tip-brackets completely. Be sure screws hold tight.



**Important notes for fastening with dowels and screws:**

Not recommended for use in light-weight masonry material such as cinder block.

Not recommended for use in new concrete which has not had time to cure.

## 2. Attaching an alternative anti-tip-device

### Important note:

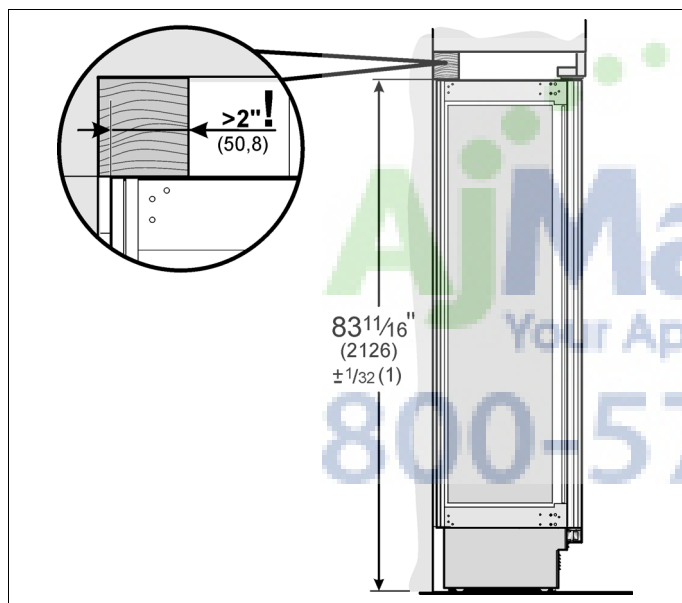
If the anti-tip brackets cannot be attached securely, an alternative anti-tip-device can be attached. However, ensure that there is no play between the appliance and the anti-tip-device. If possible, always screw the wooden beam to existing studs on the rear panel of the installation enclosure.

1. Saw the wooden beam (cross section min. 3" x 4") to the required length.

Length is equal to the width of the installation enclosure!

### Note:

- If the installation enclosure is deeper than the appliance, select a beam which has a larger cross section or attach 2 beams.
- The beam must cover the appliance by at least 2" (50.8 mm).



2. Mark the installation height (lower edge of the beam) on the rear panel of the installation enclosure.
3. Select screws according to the thickness of the wooden beam: length = min. 2.5 x beam thickness, diameter #12 or #14.

### Note:

Choose the number of screws according to the installation enclosure width, thereby ensuring that the beam can be attached securely.

4. Depending to the subsurface:

Locate wall studs in the rear of the installation enclosure and accordingly transfer their location to the wooden beam

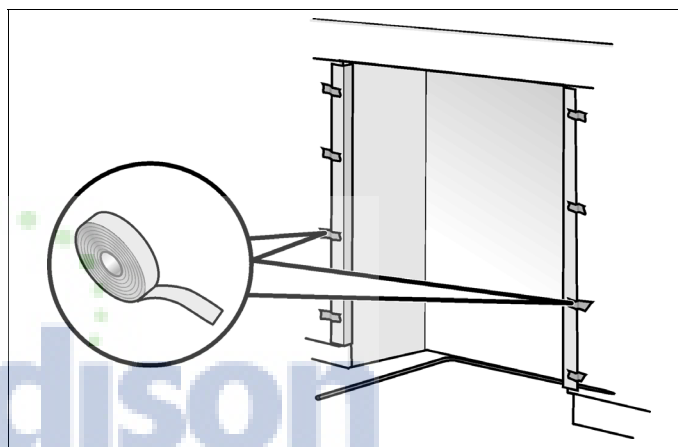
or

fasten suitable dowel into the rear wall.

5. Pre-drill the wooden beam.
6. Attach the wooden beam to the rear panel of the installation enclosure.

## 3. Attaching an edge protection

To protect the edges of the installation enclosure, it is recommended to attach edge protection made of a suitable material.

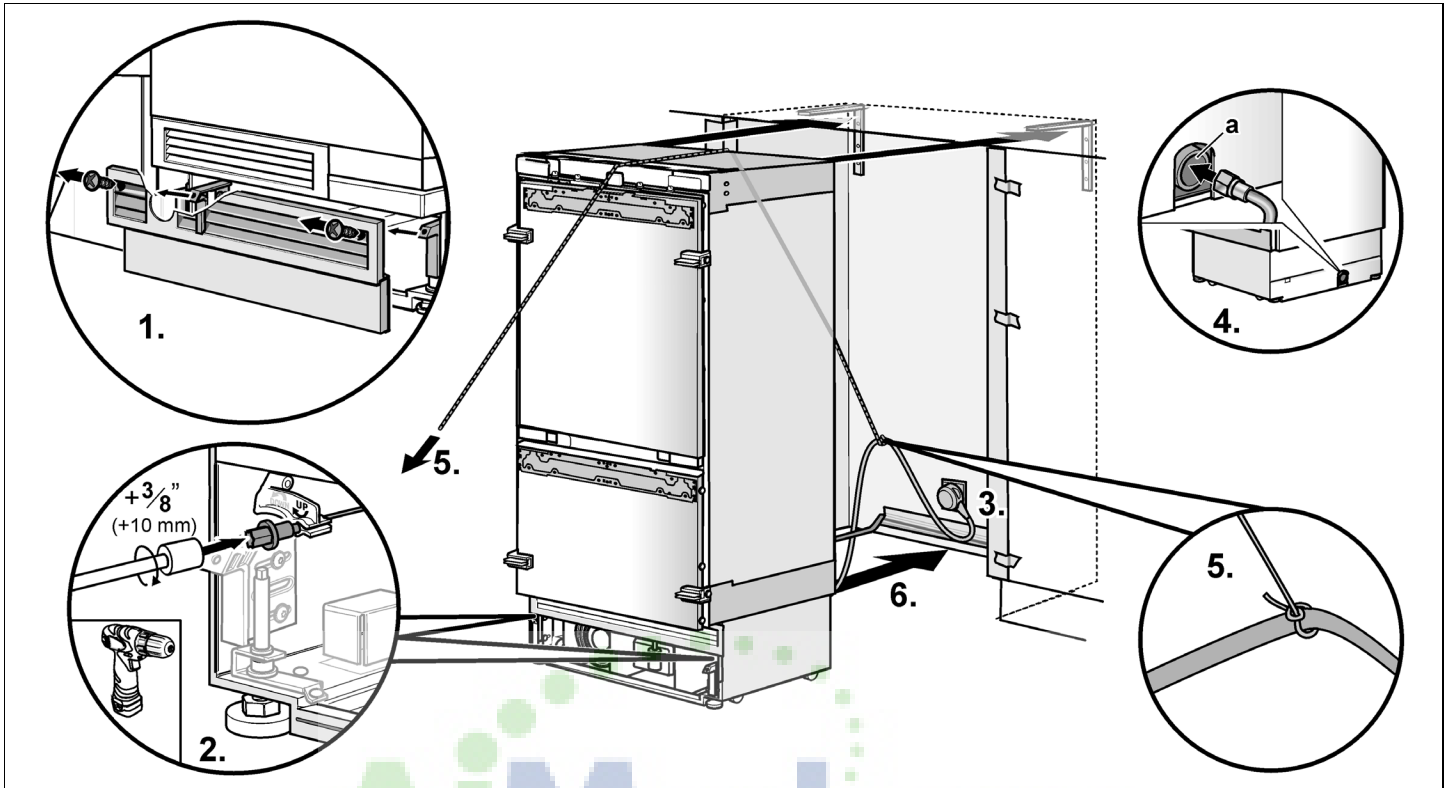


The following are special installation steps. Instructions are provided after section C.

- Change over door hinge, see "Special installation".
- Connecting the water, see "Preparing to connect the water".

## 4. Pushing the appliance into the installation enclosure

A



### ⚠ CAUTION:

Caution when pushing the appliance into the installation enclosure. Do not damage the water line or power cord.

### Note:

When the floor or the appliance is not leveled in comparison to the installation enclosure adjust height adjustable wheels before you move the appliance into the installation enclosure.

1. Remove the base panel.
2. Raise the height-adjustable wheels at the back by approx.  $\frac{3}{8}$ " (10 mm).
3. Put the electric plug into the socket.
4. Push the water line into the guard tube (a) at the rear of the appliance.

### ⚠ WARNING:

Be careful, otherwise people who are helping may be injured or the appliance may be damaged. The appliance may tip over while the water line is pushing into the guard tube.

5. To prevent the power cord from becoming caught, tie a piece of string to the middle of the power cord and feed forwards over the top of the appliance. When pushing in the appliance, pull the cable upwards. Take care not to pinch the power cord.

or

- Using adhesive tape, tape the power cord to the floor centrally behind the appliance approx. 15" (380 mm) away from the rear panel of the installation enclosure.
6. Carefully push the appliance into the installation enclosure.
7. Remove edge protection (if attached).



# 1. Aligning the appliance in the installation enclosure

**B**

## Note:

To ensure that the appliance functions correctly, it must be set perfectly levelled.

## Depth alignment

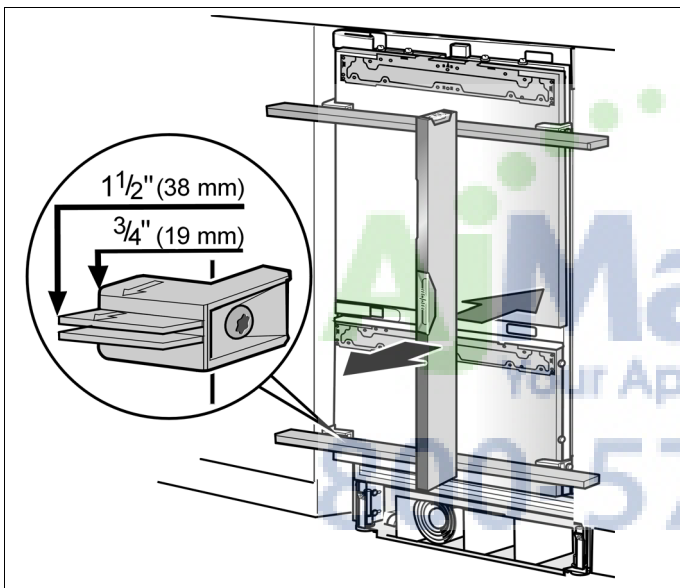
The positioning aid on the door have been designed for the following total thickness of door panels:

- 3/4" (19 mm)
- 1 1/2" (38 mm)

Always take account of the possible differing thickness of the panel fronts which are to be fitted subsequently.

1. Align the appliance with the cabinet fronts using the positioning aid.

Place level over the positioning aid on the door.



## Height alignment

### Notes:

- Do not twist or jam the appliance inside the installation enclosure! When adjusting the height-adjustable feet, proceed gradually: Always alternate between left and right, etc.
- For easier adjustment of the rear feet take the weight off by slightly tilting the appliance forward.
- Do not bend the appliance against the anti-tip-brackets.

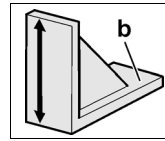
The height-adjustable feet at the front and rear can all be adjusted from the front.

Front: with open-ended wrench 1/2" (Width across flats 13 mm)

Rear: with 5/16" (8 mm) hex nut driver via flexible shaft.

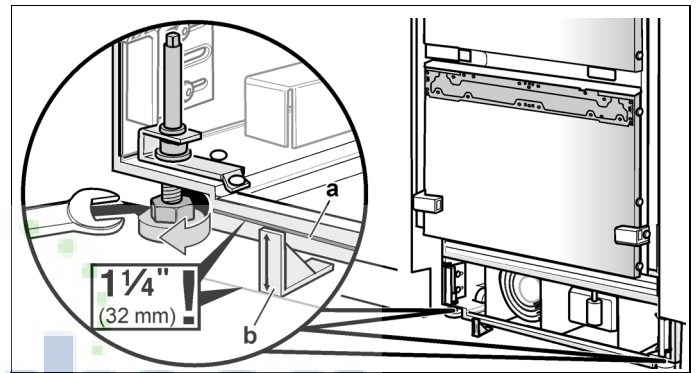
The mark (a) attached at the appliance base is used as a standard gage for height adjustment. When adjusting the height, align this mark at a height of 1 1/2" (32 mm) above the floor.

It is very important to comply with this dimension for the subsequent alignment of the furniture fronts.

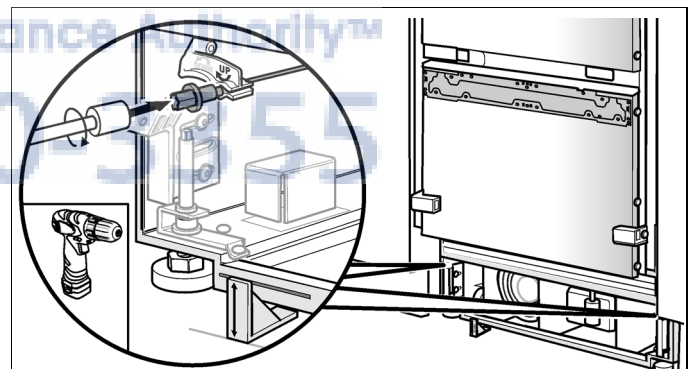


The height adjustment gauge (b) is used to set this height correctly. The upper edge of the gauge must be in alignment with the mark on the appliance.

2. Unscrew the feet at the front of the appliance until the mark (a) on the appliance is in alignment with the upper edge of the height adjustment gauge (b).



3. Align the appliance vertically using the feet at the back. Use a level!

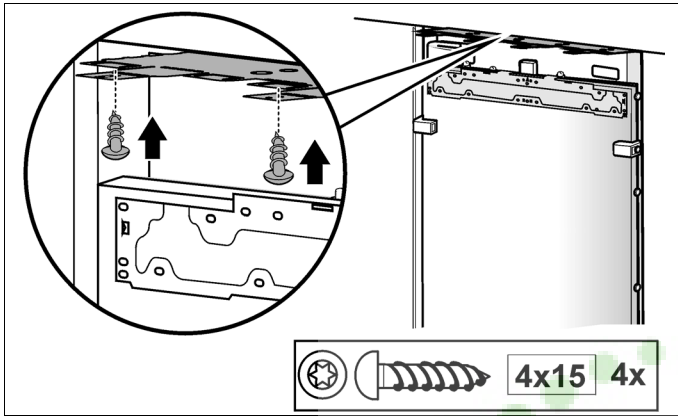


## 2. Attaching the appliance to the installation enclosure

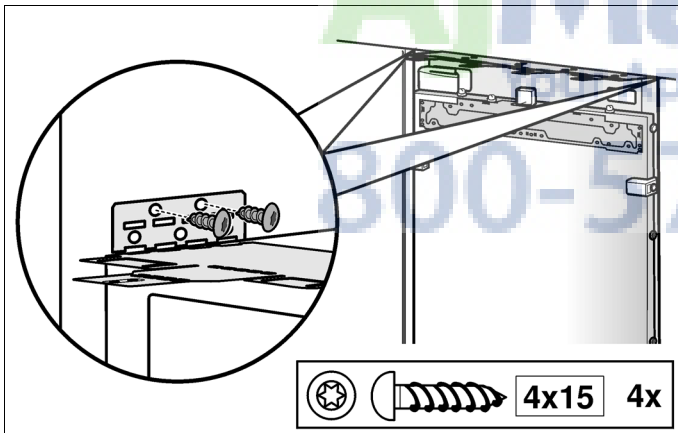
### Note:

It is essential to attach the appliance to the top of the installation enclosure.

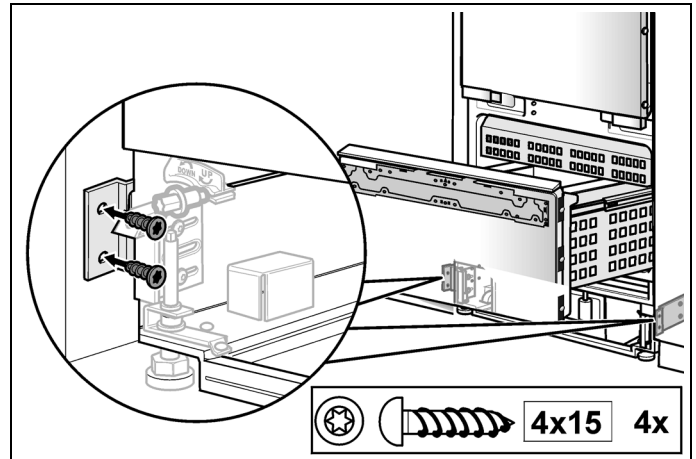
1. Screw the attachment plate lugs (top) to the overhead furniture.
2. If there is a fairly large gap above the appliance, fit a wooden beam above the appliance, ensuring that the wooden beam fits the gap exactly.



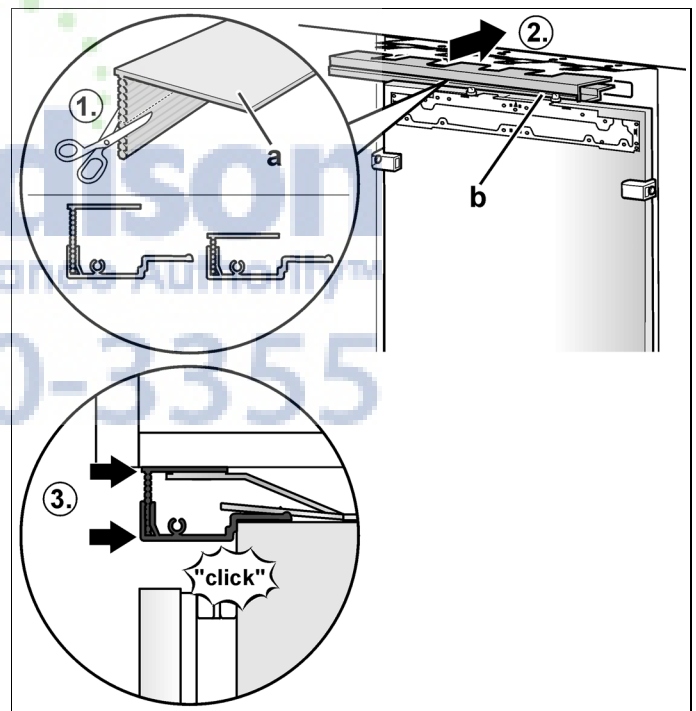
3. If there is enough room on the top of the appliance fix the attachment plate side lugs (top) to the side of the enclosure.



4. Screw the fastening brackets to the sidewall of the installation enclosure.



5. Shorten the fitting strip (a) to the required height to fill the gap.
6. Press fitting strip (a) into the cover strip.
7. Attach the cover strip (b) to the attachment plate (top).



The following is a special installation step. Instructions are provided after section C.

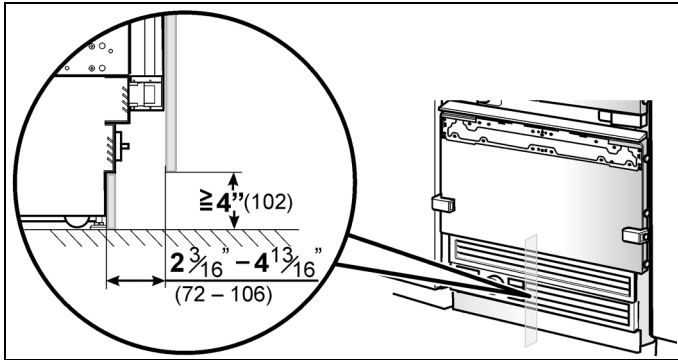
- Connecting the water, see "Preparing to connect the water".

## 1. Attaching the toe kick panel

### Note:

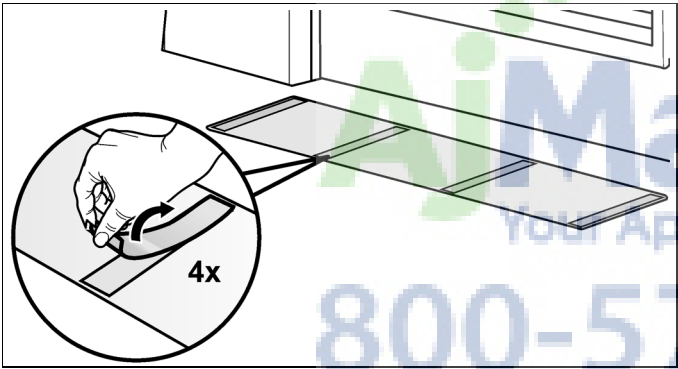
Risk of damage to the appliance. Do not cover ventilation slots in the base panel.

Nominal dimensions to be observed:

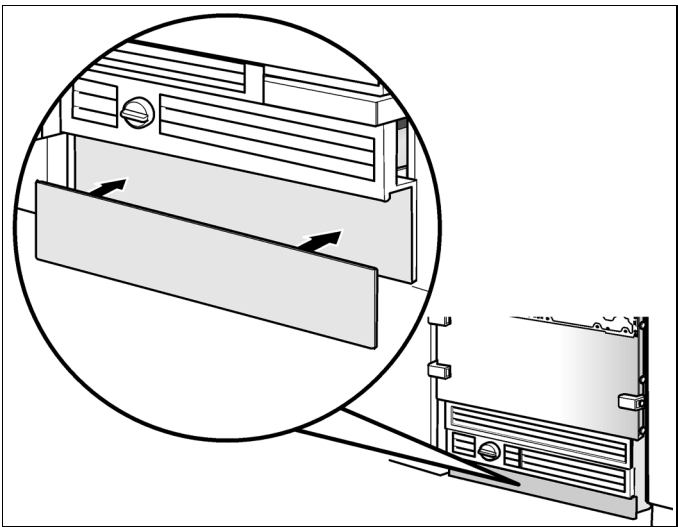


### Stainless steel panel (accessory)

1. Attach the base panel to the appliance (do not screw on).
2. Remove the protective film from the adhesive pads.



3. Fit the toe kick panel to the base panel and press firmly into place.

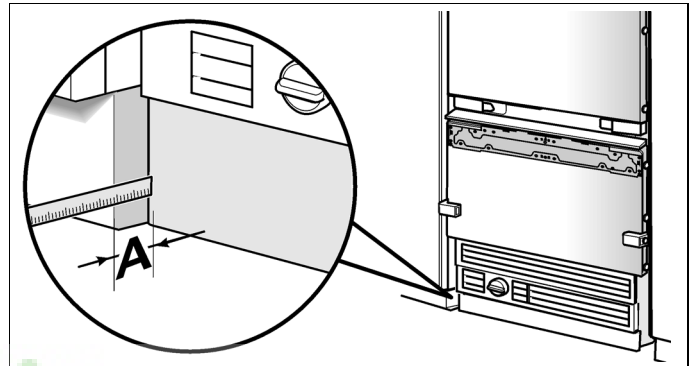


## Wooden panel

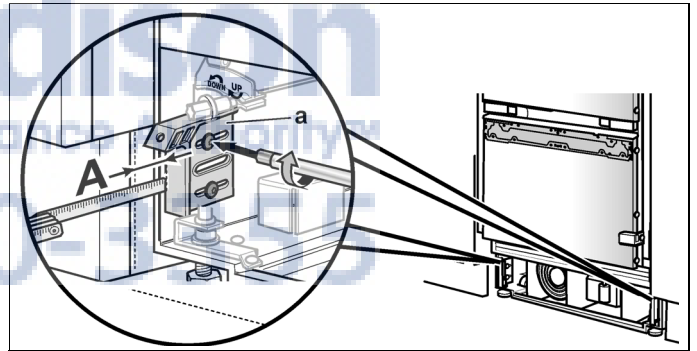
1. If required, shorten wooden panel to the required length.
2. Screw wooden panel to the base panel from behind. There are already screw holes in the base panel.

## 2. Aligning the base panel

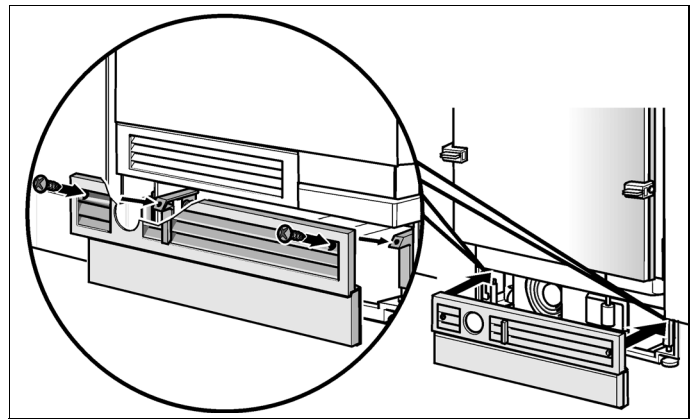
1. Put on the base panel (do not screw on) and measure the difference in depth **A** between the base panel and toe kick panel of the adjacent cabinet.



2. Remove the base panel.
3. Adjust the brackets (a) to the dimensions A and tighten.



4. Attach the base panel.



### 3. Switching the appliance ON

To guarantee the accuracy of the following working steps and thus the appearance of the overall kitchen front later on, the appliance should now be operated.

1. Open the appliance door.
2. Press the POWER button.
3. Press the POWER button again to shut off.

#### Only for appliances with a water connection:

In order to avoid the risk of damage caused by leaking water from damage possibly caused to the water pipe feeding the appliance, keep the shut-off valve closed.

### 4. Preparing the door panels

#### Important note:

When performing any work on the door panels, always observe the following:

- Always screw into the best load-bearing material of the door panel.
- Never screw into fillers, decorative strips or similar.
- Select a screw length which is always shorter than the thickness of the door panel.
- To prevent damage, protect surfaces of the door panels during installation.

The total weight of the door panel must not exceed the following values:

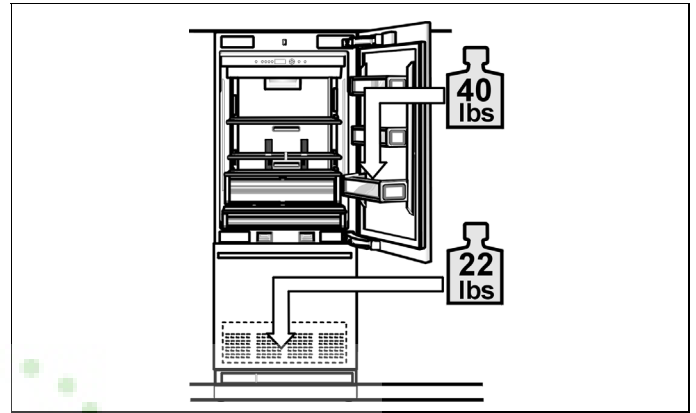
- BottomFreezer 30" (top, 1 door) 44 lbs/20 kg
- BottomFreezer 30" (bottom) 25 lbs/11.5 kg

### 5. Loading the appliance door

When attaching the door panels, it is recommended to load the door storage compartments in the appliance with weights in order to ensure that the gap width is as precise as possible.

Recommendations:

- BottomFreezer 30" (top, 1 door) 40 lbs/18 kg
- BottomFreezer 30" (bottom) 22 lbs/10 kg

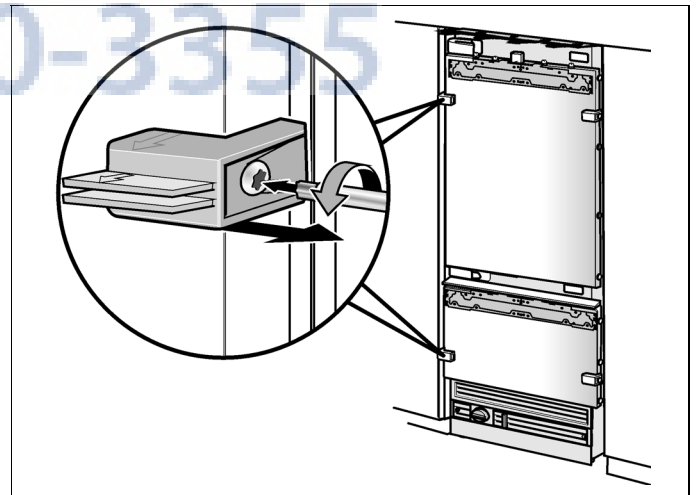


### 6. Removing the positioning aid

Unscrew the positioning aid from the appliance door.

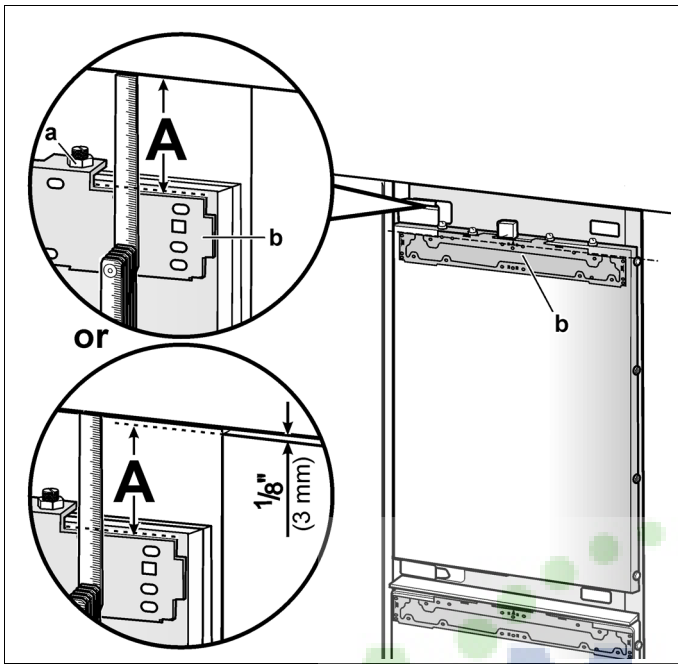
#### Note:

Store the positioning aids, there will be used in an installation step later.

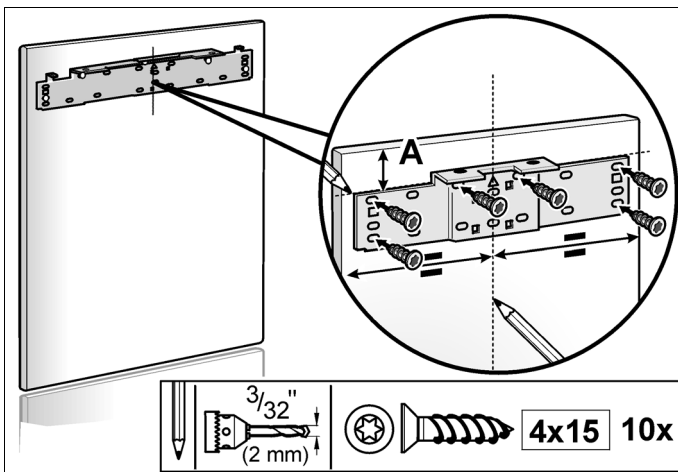


## 7. Attaching the adjusting rail to the door panel (refrigerator compartment)

1. Measure the distance **A** between the adjusting rail and the overhead cabinet/fixtures.



2. Loosen the 2 nuts (a) and remove the adjusting rail (b).
3. Mark this amount **A** on the rear of the door panel.
4. Determine and mark the centerline of the door panel.
5. Put on the adjusting rail and align along the marks. Mark the drill holes.
6. Drill the holes.
7. Screw on the adjusting rail tightly.



### Notes:

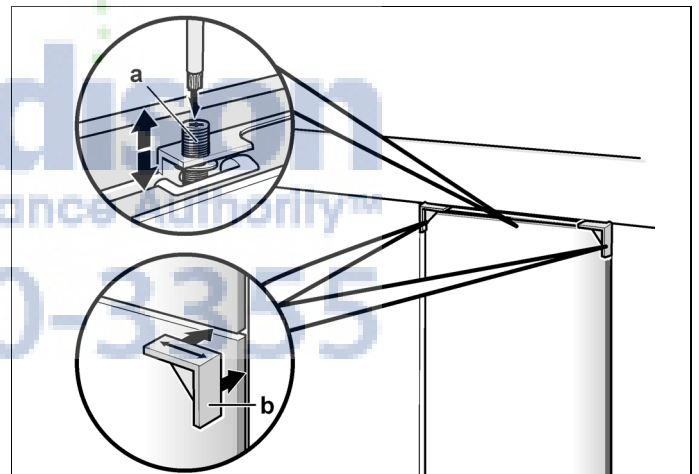
- Attach the adjusting rail to the door panel with at least 10 screws. One screw should be inserted under each double threaded bolt.
- The adjusting rail features a variety of holes for the many different design options of door panels. Always screw into the best load-bearing material of the door panel.

## 8. Attaching the fixation strips to the door panel (refrigerator compartment)

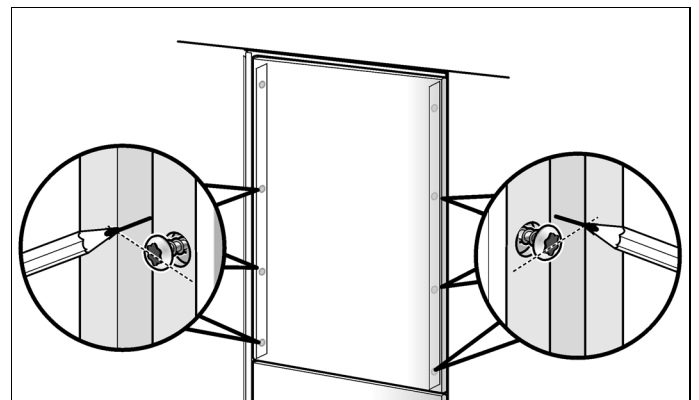
### Note:

The fixation strips are pre-assembled for stainless steel doors. In this case continue with the next installation step ("C / 9. Attaching the adjusting rail to the door panel (freezer compartment)").

1. Hang the door panel on the double threaded bolt (a).
2. Align the door panel with the double threaded bolts (Torx screwdriver).  
Re-examine the dimensions of the gap continuously. Use the height adjustment gauge (b).



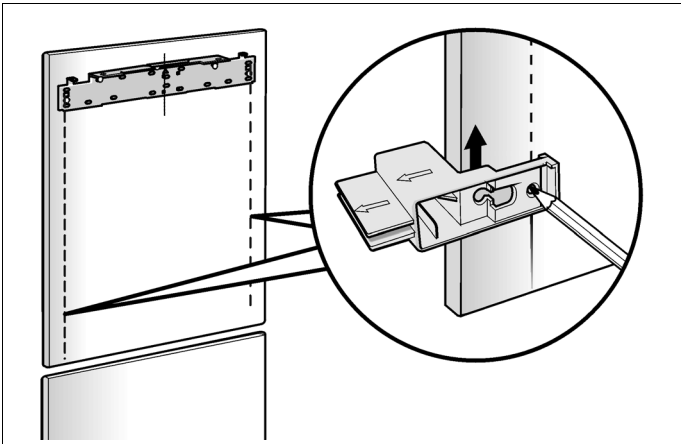
3. Transfer the middle drill holes along the outer edge of the appliance door to the door panel and mark.



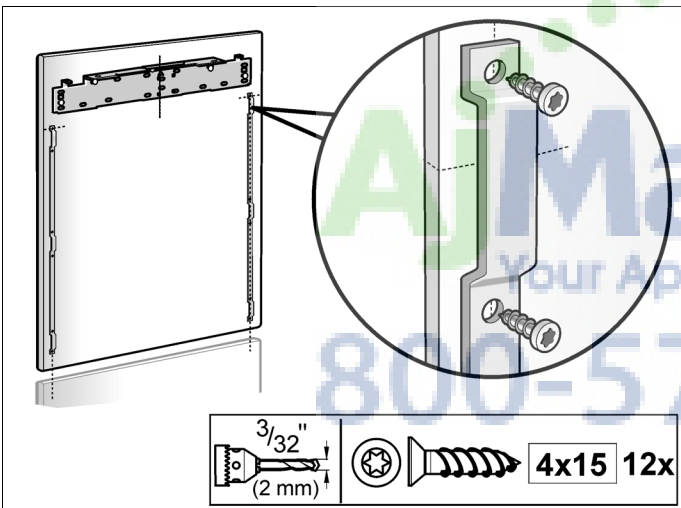
4. Remove the door panel.



- Using the positioning aid, mark the vertical sides of the door panel parallel.



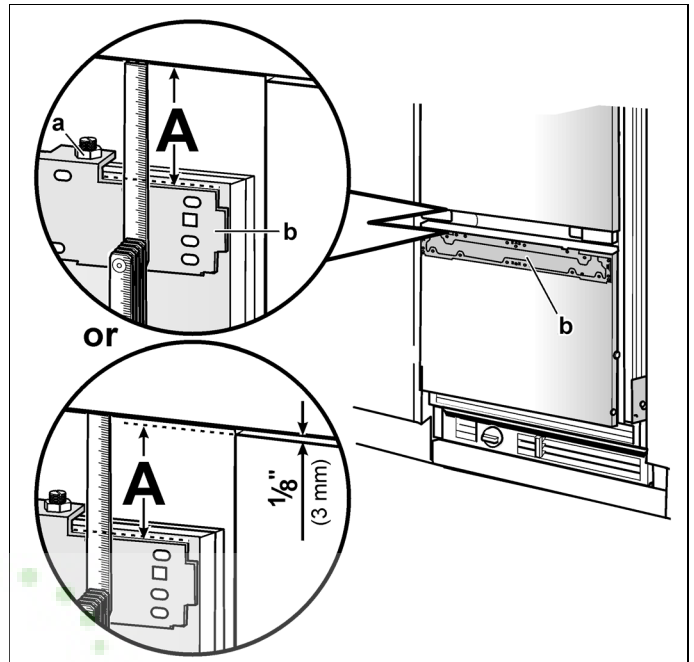
- Using a square, extend the drill hole marks which you have just made to the vertical marks.
- Apply the fixation strip and mark out the holes.
- Pre-drill the holes.
- Screw on the fixation strips.



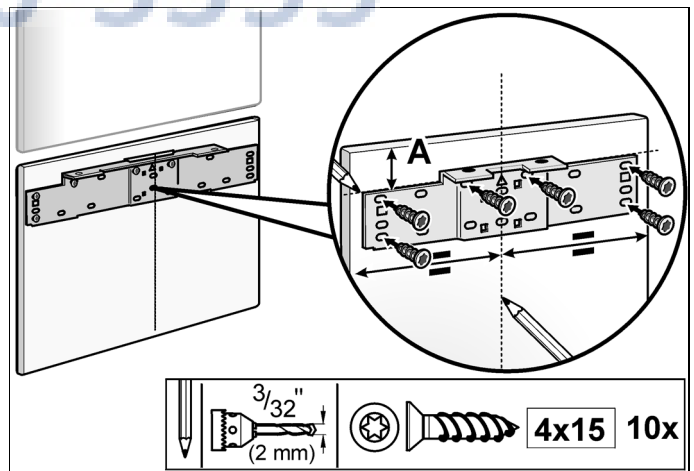
- Hang the door panel on the double threaded bolts.

## 9. Attaching the adjusting rail to the door panel (freezer compartment)

- Measure the distance **A** between the adjusting rail and the overhead cabinet/fixtures.



- Loosen the 2 nuts and remove the adjusting rail.
- Mark this amount **A** on the rear of the door panel.
- Determine and mark the centerline of the door panel.
- Put on the adjusting rail and align along the marks. Mark the drill holes.
- Drill the holes.
- Screw on the adjusting rail tightly.



## Notes:

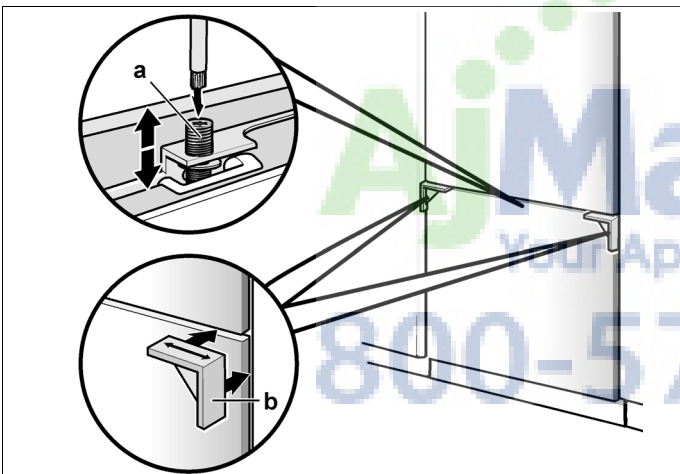
- Attach the adjusting rail to the door panel with at least 10 screws. One screw should be inserted under each double threaded bolt.
- The adjusting rail features a variety of holes for the many different design options of door panels. Always screw into the best load-bearing material of the door panel.

## 10. Attaching the fixation strips to the door panel (freezer compartment)

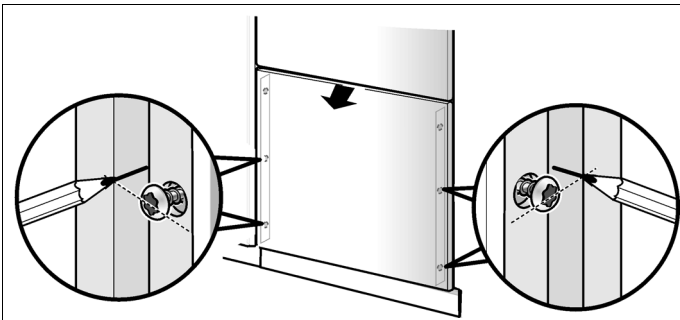
### Note:

The fixation strips are pre-assembled for stainless steel doors. In this case continue with the next installation step (“C / 11. Attaching the door panel (refrigerator compartment)”).

1. Hang the door panel on the double threaded bolt (a).
2. Align the door panel with the double threaded bolts (Torx screwdriver).  
Re-examine the dimensions of the gap continuously. Use the height adjustment gauge (b).

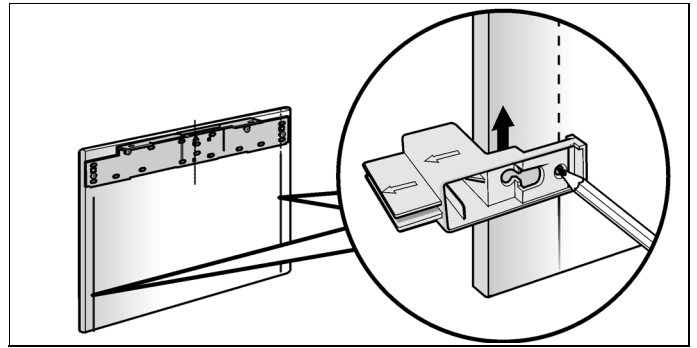


3. Transfer the middle drill holes along the outer edge of the appliance door to the door panel and mark.

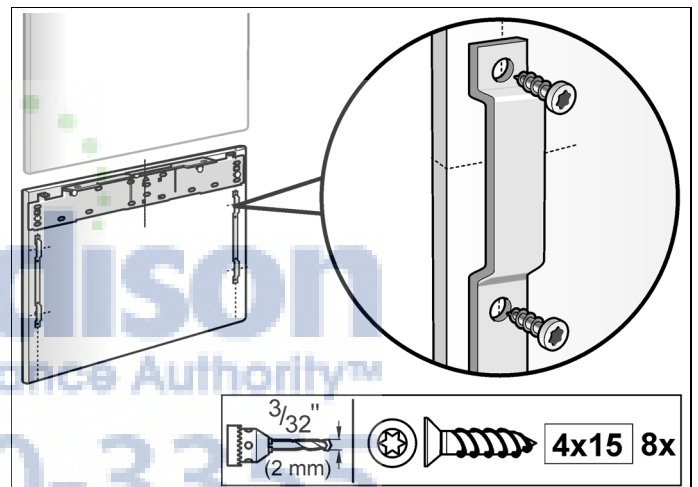


4. Remove the door panel.

5. Using the positioning aid, mark the vertical sides of the door panel parallel.



6. Using a square, extend the drill hole marks which you have just made to the vertical marks.
7. Apply the fixation strip and mark out the holes.
8. Pre-drill the holes.
9. Screw on the fixation strips.



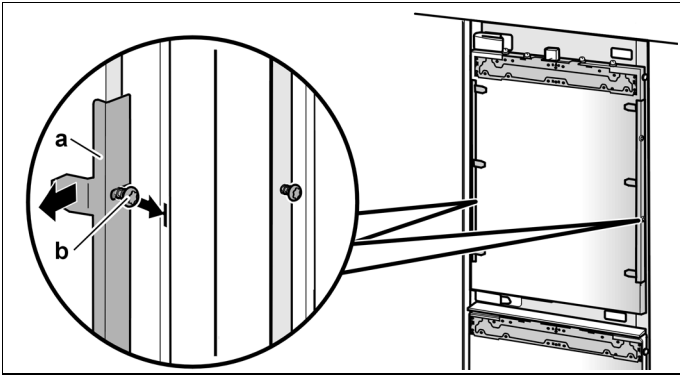


## 11. Attaching the door panel (refrigerator compartment)

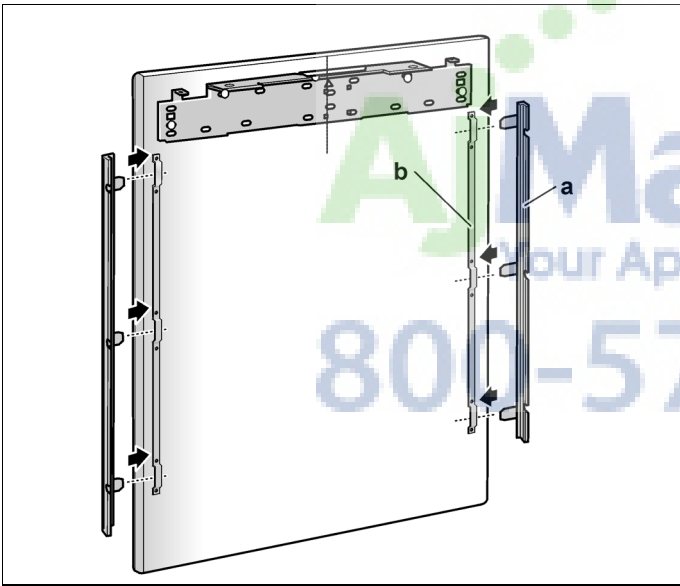
### Note:

Now attach the furniture handles which are screwed from behind!

1. Remove the fixing brackets (a) from the appliance door. To do this, loosen the bracket screws (b) only.

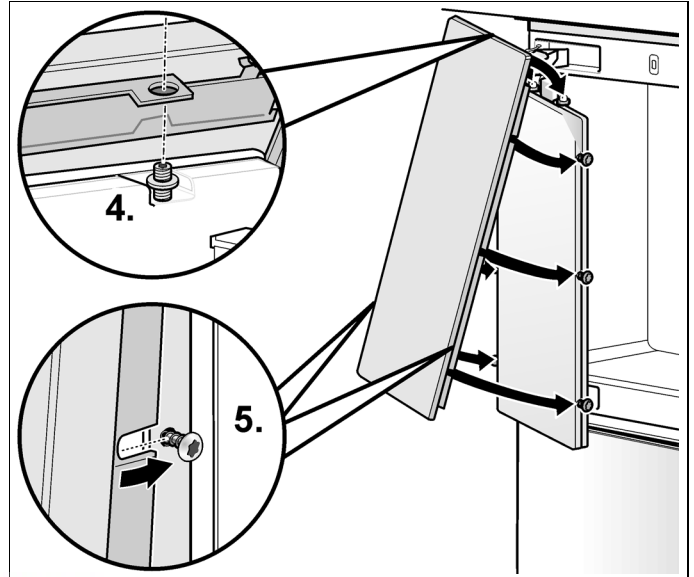


2. Insert removed fixing brackets (a) into the adjusting rails (b) on the door panel.

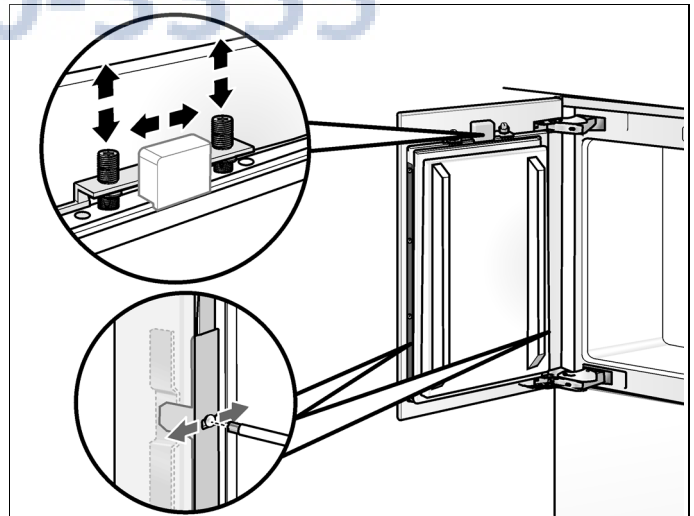


3. Open the appliance door.

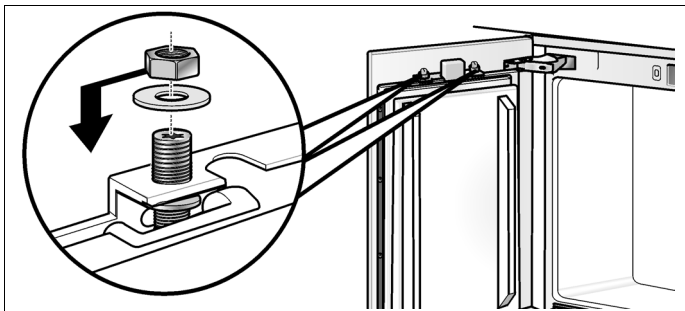
4. Hang the door panel with adjusting rail over the double threaded bolts (1.).
5. Lower door panel and push the fixing brackets down over the bracket screws (2.).



6. Adjust the door panel using the double threaded bolts (Torx screwdriver). Re-examine the dimensions of the gap continuously.
7. Close the door and check that the depth of the door panel is aligned with the adjacent fronts. If required, correct.
8. Tighten the bracket screws to fix the depth alignment.
9. Close the door and check the side alignment. Correct by gently tapping the edge of the open door panel with your hand.



10. Screw nuts onto the double threaded bolts and tighten. This will fix the side alignment of the door.

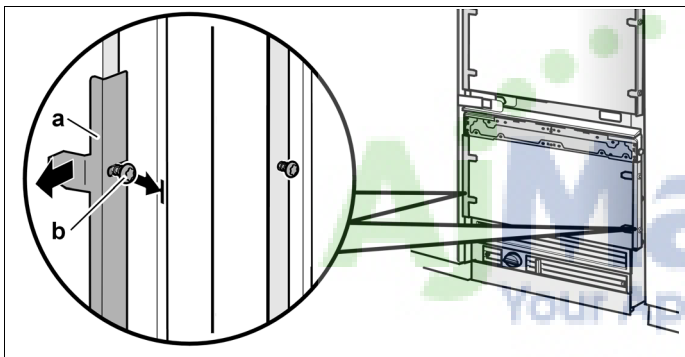


## 12. Attaching the door panel (freezer compartment)

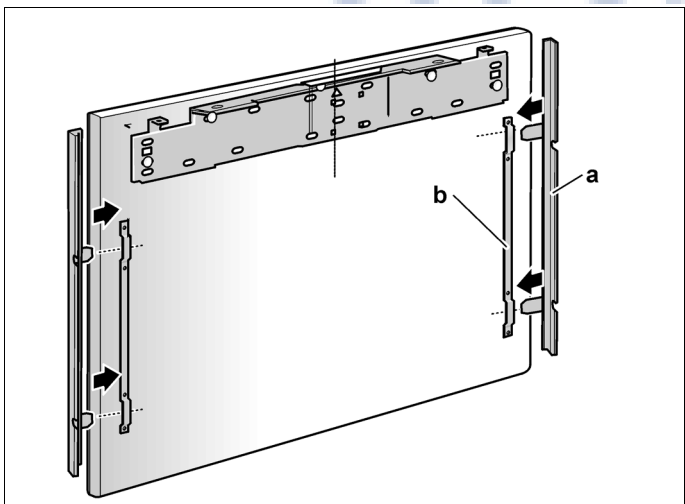
### Note:

Now attach the furniture handles which are screwed from behind!

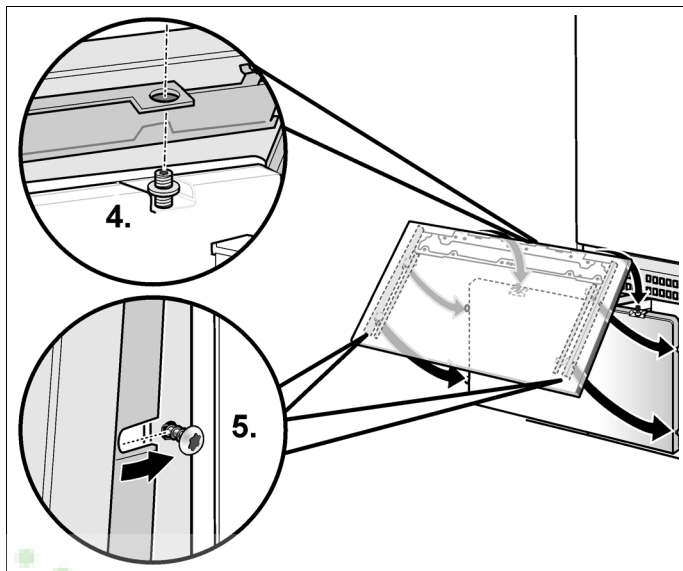
1. Remove the fixing brackets (a) from the drawer. To do this, loosen the bracket screws (b) only.



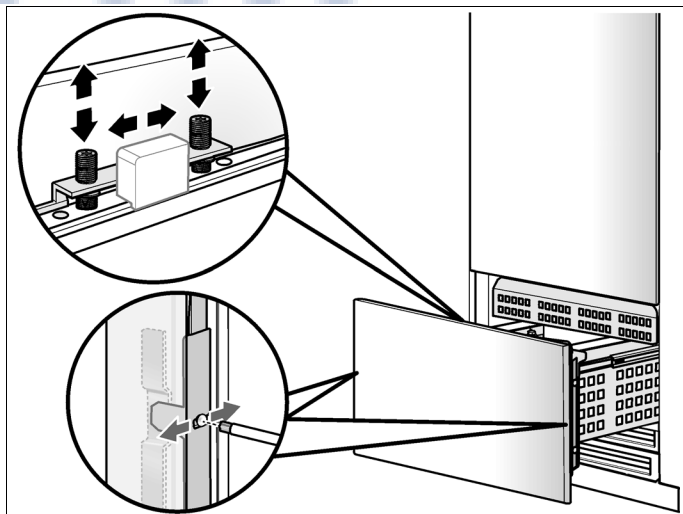
2. Insert removed fixing brackets (a) into the adjusting rails (b) on the door panel.



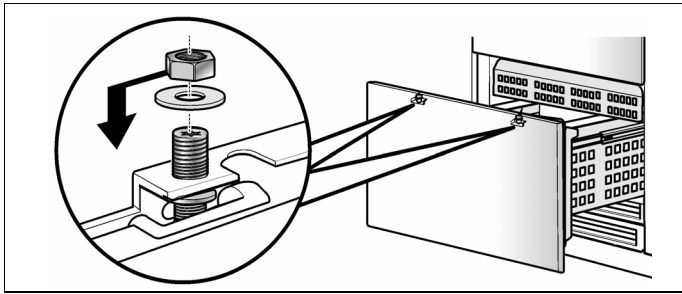
3. Open the drawer.
4. Hang the door panel with adjusting rail over the double threaded bolts (1.).
5. Lower door panel and push the fixing brackets down over the fastening screws (2.).



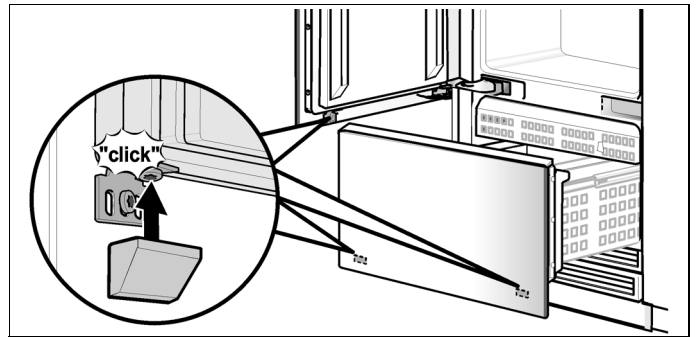
6. Adjust the door panel using the double threaded bolts (Torx screwdriver). Re-examine the dimensions of the gap continuously.
7. Close the door and check that the depth of the door panel is aligned with the adjacent fronts. If required, correct.
8. Tighten the bracket screws to fix the depth alignment.
9. Close the door and check the side alignment. Correct by gently tapping the edge of the open door panel with your hand.



10. Screw nuts onto the double threaded bolts and tighten. This will fix the side alignment of the door.



6. Put the cover on the brackets.



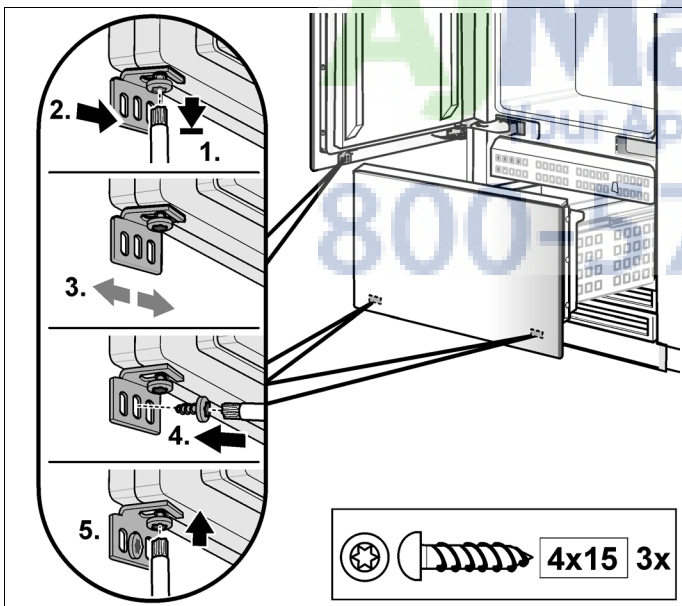
### 13. Attaching the lower bracket

The lower bracket fixes the side position of the door.

The number of lower brackets depends on the width and the design of the door panel.

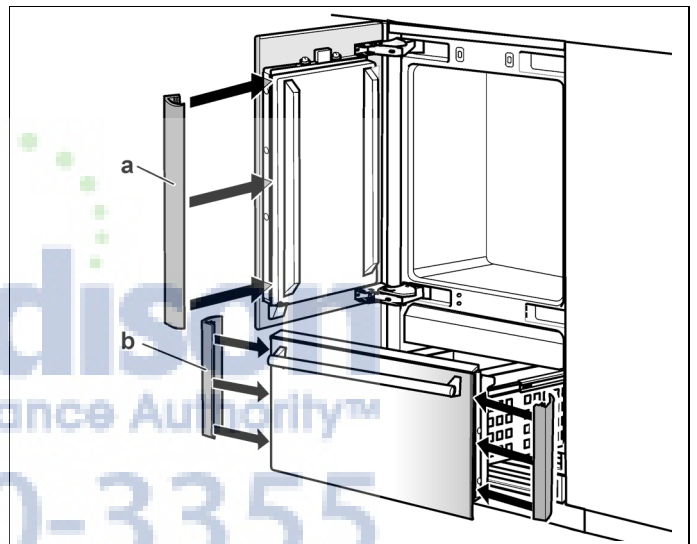
Screw on the lower brackets (Installation kit).  
Pre-drill holes in the door panel!

1. Loosen the screw.
2. Push the bracket over the screw.
3. Check the side position of the door.
4. Screw in the screw.
5. Tighten the screw.

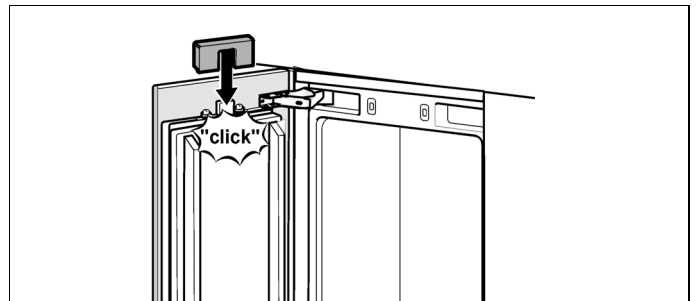


### 14. Attaching the strips

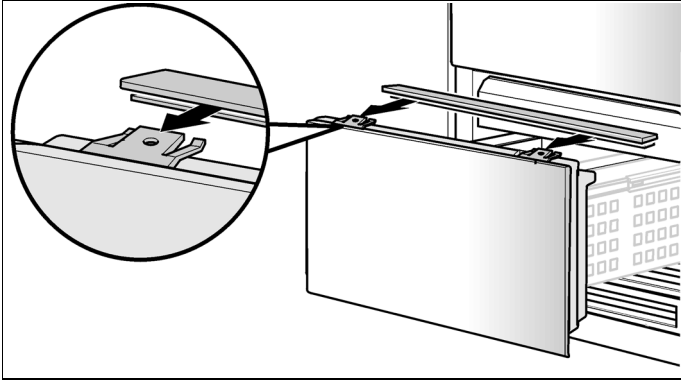
1. Attach the cover strips (a) & (b) on both vertical sides of the doors and the freezer compartment drawer.



2. Attach the light switch cover.  
The cover can be screwed to the door.



3. Insert the cover plate on the freezer compartment door.

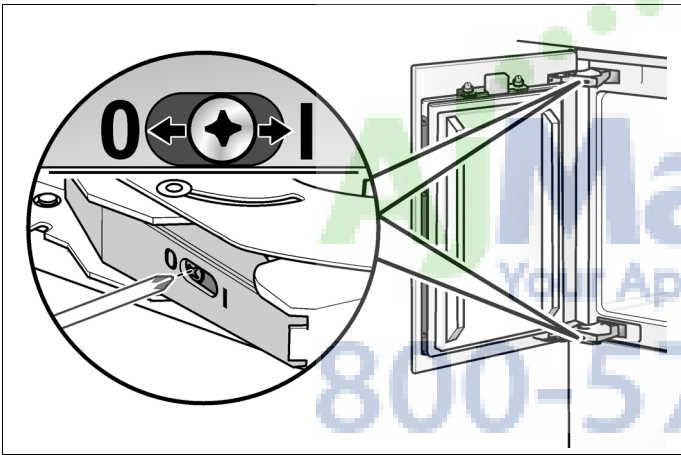


### 15. Adjusting the door spring

Rotate the adjusting screw with a cross-head screwdriver.

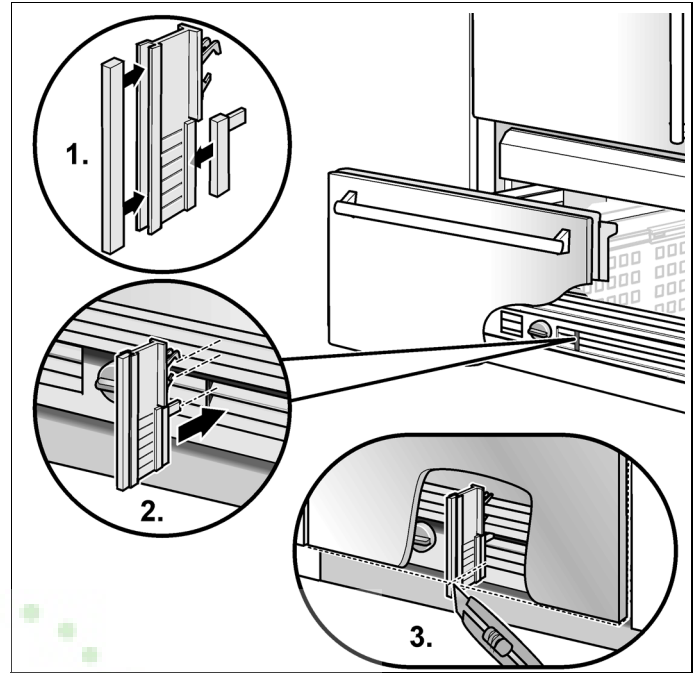
**I** = maximum spring tension

**0** = no spring tension



### 16. Mounting the air separator

Fasten the air separator to the furniture door in order to separate the supply and waste air.



The following is a special installation step. Instructions are provided after section C.

- Door limitation pin, see "Adjusting the door opening angle".



**Installation of the appliance is now complete.**

## Special installation steps

### Changing over the door hinges

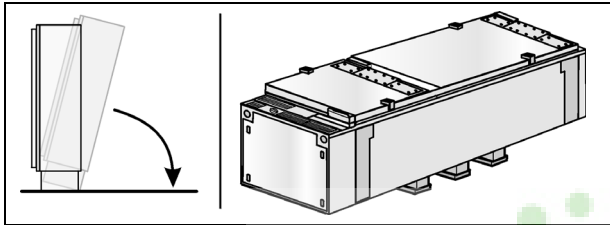
#### **⚠ WARNING:**

Risk of injury!

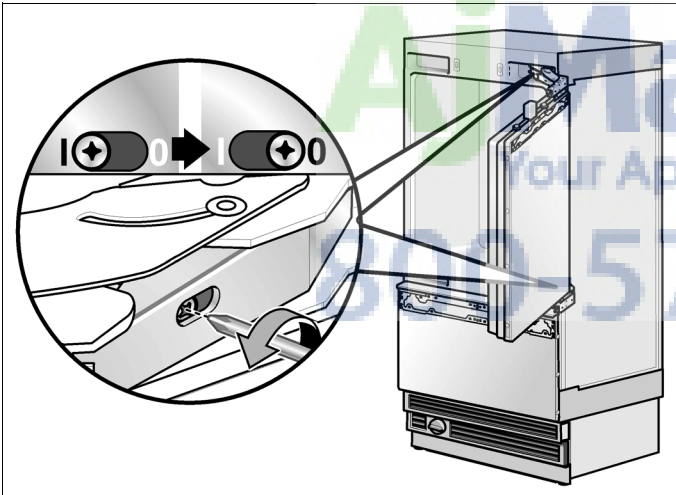
Before working on the hinge, release the spring.

#### **Note:**

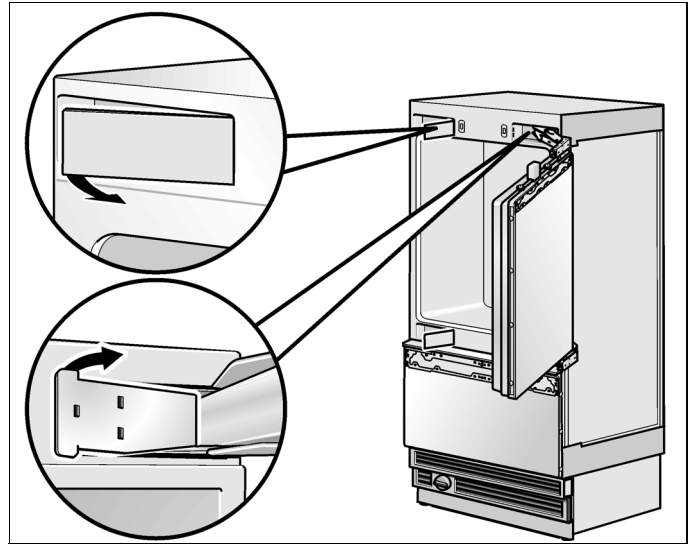
- The door hinges cannot be exchanged in the case of freezers with ice and water dispensers.
- Switching the door hinge is made easier if the appliance is stored here on the back (put the pallet underneath).



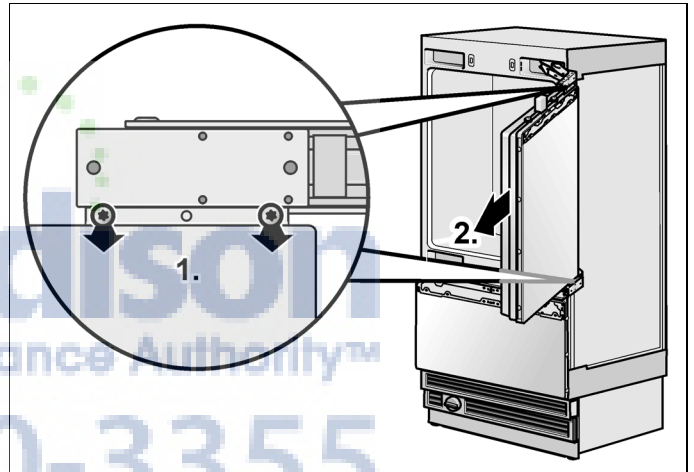
1. Release the spring on the hinge. Loosen the screw from **I** to **0**.



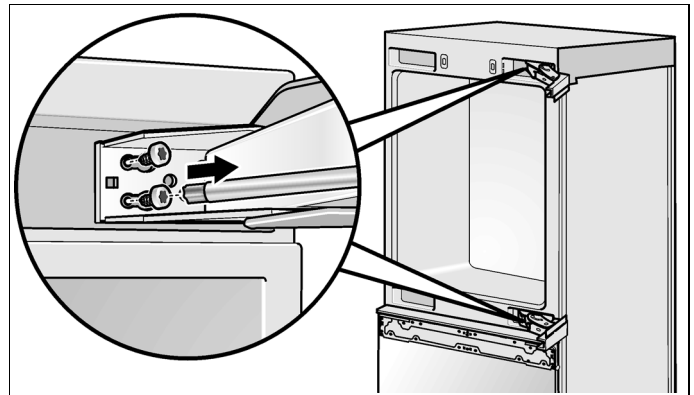
2. Remove the hinge box covers.



3. Unscrew (1.) and remove (2.) the door.



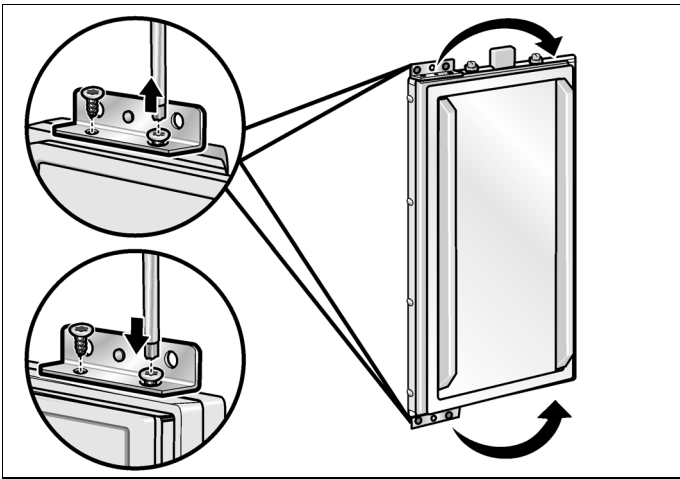
4. Remove the hinges.



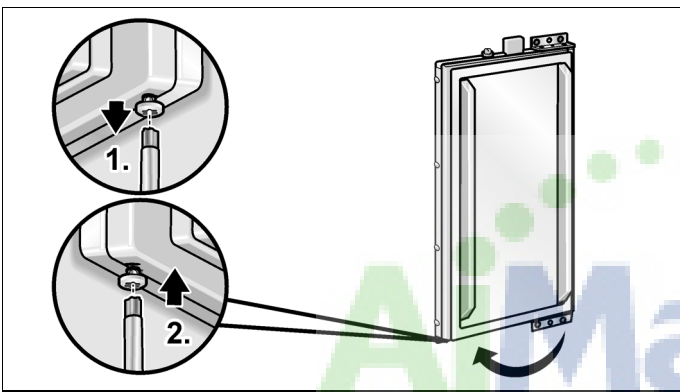




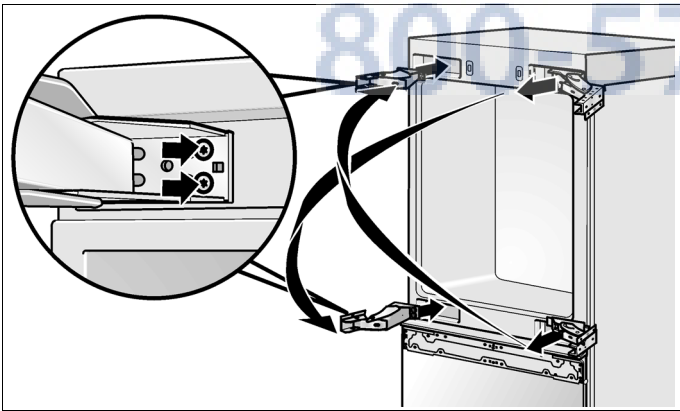
5. Change over the fixation parts on the door.



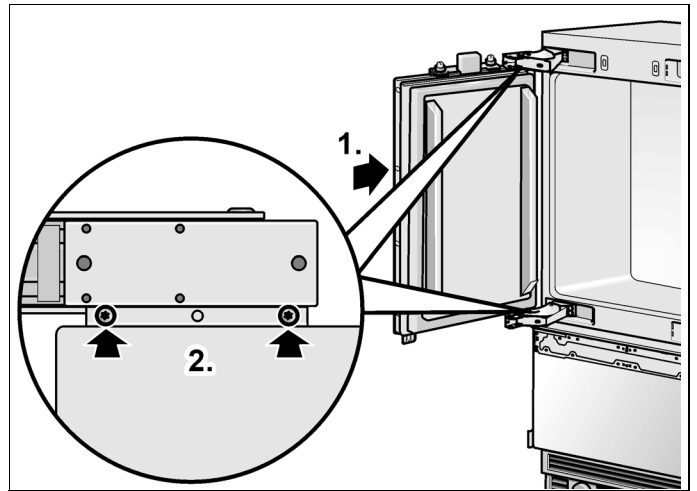
6. Change over the screw for the lower bracket.



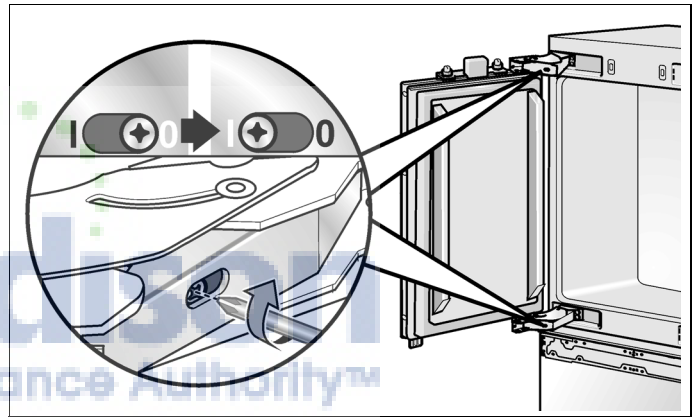
7. Fix the hinges on the appliance. Change the hinges crosswise!



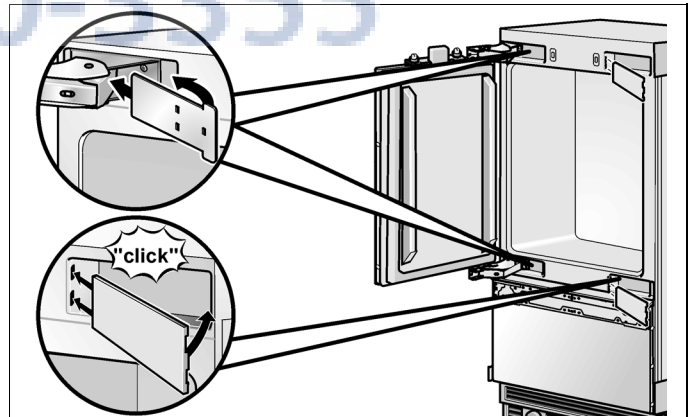
8. Attach the door.



9. Load the spring on the hinge. Tighten the screw from 0 to 1.



10. Attach the hinge box cover.



## Preparing to connect the water

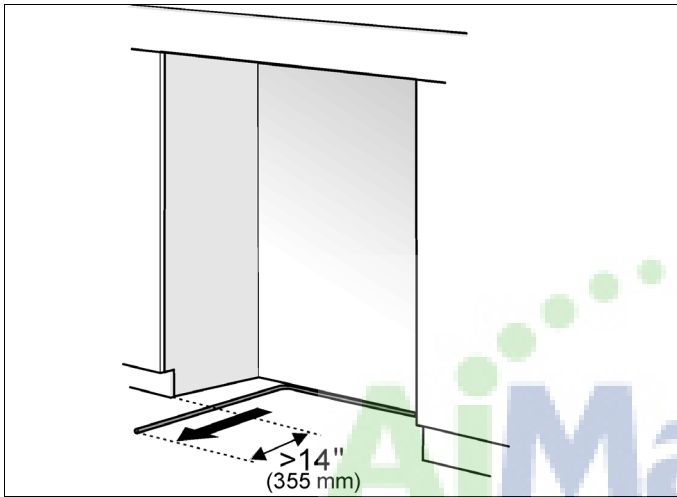
(only for appliances which require a water connection)

### Note:

Turn off the main water tap to prevent damage caused by leaking water.

1. Attach the water line to the shut-off valve according to the instructions supplied by the manufacturer of the ice maker installation kit.
2. Install the water line.

Always observe the indicated dimensions to prevent damage to the water line when pushing in the appliance.

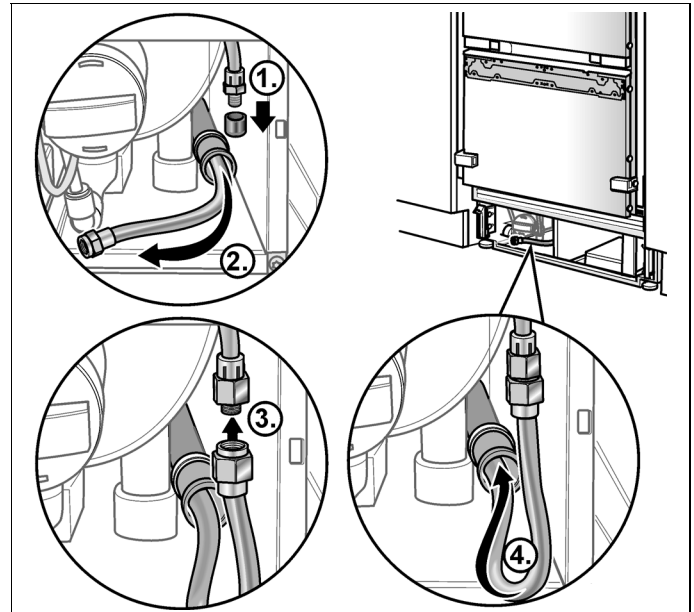


## Connecting the water to the appliance

### Note:

When bending the water line, do not kink it, otherwise there is a **risk of leaks and water damage**.

1. Remove the cap from the appliance connection (1.).
2. Bend the water line according to the location of the connection on the appliance (2.).
3. Push the union nut and seal onto the water line.
4. Push the end of the water line into the appliance connection and screw on the union nut (3.). Tighten hand-tight.
5. Using the open-ended wrench, tighten the union nut. Do not overturn!
6. Push back the water line into the guard tube as far as possible (4.).



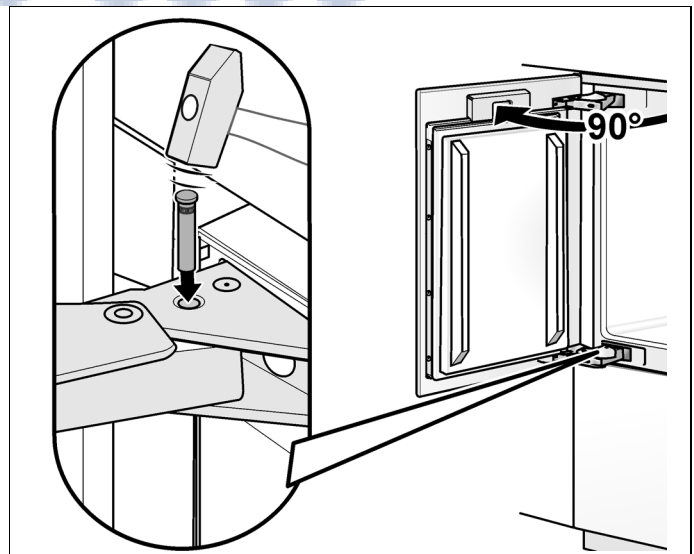
7. Open the shut-off valve and main water tap.
8. Check the connection on the shut-off valve and on the appliance for leaks.
9. Close the shut-off valve.

## Adjusting the door opening angle

Depending on the installation situation, it may be necessary to adjust the door opening angle. A door opening angle of  $115^\circ$  has been set at the factory.

To adjust the door opening angle to  $90^\circ$ :

1. Open door to  $90^\circ$ .
2. Insert the banking pin through the boreholes which are now vertically aligned and drive in with a hammer.





# Sommaire

## INSTRUCTIONS DE SÉCURITÉ IMPORTANTES . 31

### Options d'installation ..... 32

Appareils individuelle ..... 32

Appareils individuels avec séparation ..... 32

Appareils individuels à l'extrémité  
des cuisines intégrées ..... 32

### Installation ..... 33

Local d'installation ..... 33

Installation stable ..... 33

Cavité d'installation ..... 33

Meubles ..... 33

Sol ..... 33

Alignement de l'appareil ..... 33

### Raccordement à l'alimentation électrique ..... 34

Instructions de raccordement à la terre ..... 34

Procédure additionnelle de mise à la terre ..... 34

### Raccordement de l'eau ..... 34

### Dimensions d'installation ..... 35

### Accessoires et outillage requis ..... 36

Accessoires fournis ..... 36

Accessoires en option ..... 36

Autres accessoires requis ..... 36

Autres ..... 36

Outils ..... 36

### Instructions d'installation ..... 37

1. Vérification de la cavité  
d'installation ..... 37

2. Enlèvement de l'emballage ..... 37

3. Transport de l'appareil ..... 38

4. Préparation du montage ..... 38

5. Étapes spéciales de montage ..... 38

**A** 1. Fixation des cornières  
anti-renversement ..... 39

2. Fixation d'un dispositif  
anti-renversement alternatif ..... 40

3. Fixation du protège-bordures ..... 40

4. Pousser l'appareil dans la cavité  
d'installation ..... 41

**B** 1. Alignement de l'appareil dans la cavité  
d'installation ..... 42

2. Fixation de l'appareil dans la cavité  
d'installation ..... 43

**C** 1. Fixation du bandeau de socle ..... 44

2. Alignement du bandeau de socle ..... 44

3. Mise en service de l'appareil ..... 45

4. Préparation des portes de meubles . 45

5. Application d'une charge à la porte de  
l'appareil ..... 45

6. Enlever l'accessoire  
de positionnement ..... 45

7. Fixation du rail d'ajustage contre  
la porte du meuble  
(compartiment réfrigérateur) ..... 46

8. Montage des bandes de fixation  
contre le panneau de porte  
(compartiment réfrigérateur) ..... 46

9. Fixation du rail d'ajustage contre  
la porte du meuble  
(compartiment congélateur) ..... 47

10. Montage des bandes de fixation  
contre le panneau de porte  
(compartiment congélateur) ..... 48

11. Fixation de la porte de meuble  
(compartiment réfrigérateur) ..... 49

12. Fixation de la porte de meuble  
(compartiment congélateur) ..... 50


13. Fixation des brides inférieures ..... 51

14. Fixation des couvercles ..... 51

15. Changement du ressort de porte ..... 52

16. Montage du séparateur d'air..... 52

### Installation spéciale ..... 53

 Inversion du sens d'ouverture  
des portes ..... 53

Préparation du raccordement  
de l'eau..... 55

Raccordement de l'eau à l'appareil ..... 55

Ajustage de l'angle d'ouverture  
de porte ..... 55



# INSTRUCTIONS DE SÉCURITÉ IMPORTANTES

Cette notice de montage est destinée à vous aider lors de l'incorporation de votre nouvel appareil.

Toutefois, le fabricant ne pourra pas être tenu responsable d'un montage incorrect. Nous recommandons de confier l'implantation et la mise en service à un spécialiste qualifié.

Le respect de toutes les consignes et instructions figurant dans cette notice de montage est le préalable d'un montage et d'une mise en service sûrs de cet appareil.

Rangez la notice de montage dans un endroit sûr en vue de sa réutilisation future.

Avant l'implantation et la mise en service, lisez cette notice de montage attentivement et entièrement.

## AVERTISSEMENT

Le centre de gravité de cet appareil se trouve assez haut dans celui-ci. Il faut donc sécuriser l'appareil pour l'empêcher de basculer en avant.

Une protection anti-renversement est nécessaire.

Maintenez les portes de l'appareil fermées jusqu'à ce qu'il ait été installé et sécurisé conformément aux instructions d'installation.

Vu le poids et la taille de l'appareil et pour réduire le risque de dommages corporels et d'endommagement du produit, IL FAUT DEUX PERSONNES POUR RÉALISER L'INSTALLATION CORRECTEMENT.

Cet appareil doit être correctement relié à la terre. Voir la section sur le «Raccordement à l'alimentation électrique».

Veuillez n'utiliser cet appareil qu'aux fins pour lesquelles il a été prévu.

Réparez ou remplacez immédiatement les cordons d'alimentation électrique qui se sont usés ou sont endommagés.

Débranchez l'appareil ou ramenez le disjoncteur en position éteinte avant de nettoyer ou d'effectuer des réparations.

Les réparations sont réservées à un technicien qualifié du service après-vente.

## ATTENTION

L'installation de cet appareil oblige à détenir des connaissances de bases en mécanique, en menuiserie et en plomberie.

La responsabilité d'une installation adéquate revient à l'installateur.

Une défaillance du produit due à son installation incorrecte n'est pas couverte par la garantie dont bénéficie l'appareil.

Veuillez vous reporter au manuel de l'utilisateur pour connaître les informations sur la garantie.

## IMPORTANT

Veuillez conserver ces instructions pour usage par l'inspecteur local. Veuillez observer tous les règlements et ordonnances.

**Remarque à l'intention de l'installateur** – Veuillez bien à laisser les présentes instructions au client.

**Remarque à l'intention du consommateur** – Veuillez conserver les présentes instructions avec votre manuel de l'utilisateur. Ils vous permettront de vous y reporter ultérieurement.

## Générale

Les présentes instructions d'installation sont destinées à être utilisées par des installateurs qualifiés. Tous les raccordements de l'eau, de l'électricité et à la terre doivent se conformer aux règlements et ordonnances locaux, ils doivent être réalisés par du personnel sous licence lorsque nécessaire. En l'absence de réglementation locale :

- Aux USA : en conformité avec le National Electric Code, ANSI/NFPA70 en son édition la plus récente, avec les règlements des États et municipaux et/ou les règlements locaux.
- Au Canada : en conformité avec le Code canadien de l'électricité C22.1 en son édition la plus récente, avec les règlements des provinces et municipaux et/ou les règlements locaux.

## Definitions

### AVERTISSEMENT

Cette mention précède une instruction assortie d'un danger de mort ou de blessures graves si vous ne respectez pas son contenu

### ATTENTION

Cette mention précède une instruction assortie d'un risque de blessures légères ou de dégâts si vous ne respectez pas son contenu.

### Remarque:

Cette mention sert à attirer votre attention sur un aspect particulier.

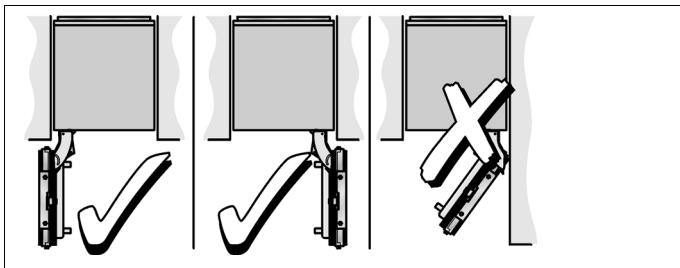
## Options d'installation

Il y a plusieurs options d'installation différentes.

Elles sont limitées seulement par l'agencement de votre cuisine et par la fonction du bandeau protège-doigts.

Voir également « Conseils succincts pour la conception de la cuisine (Kitchen Design Quick Reference) ».

### Appareil individuel



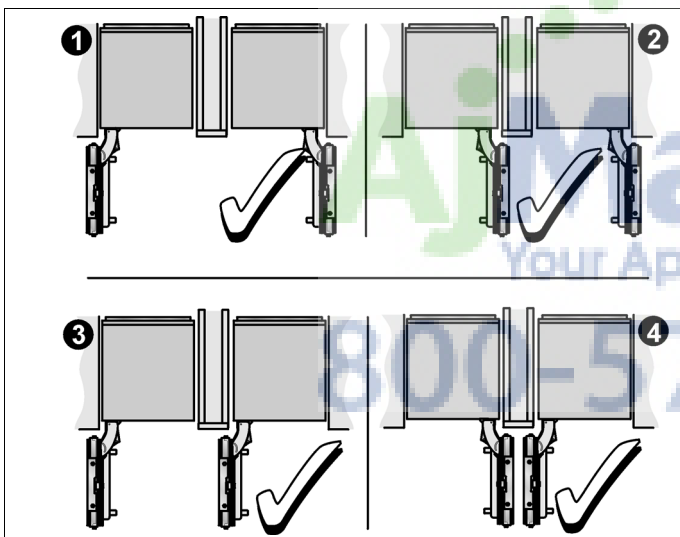
## Appareils individuels à l'extrémité des cuisines intégrées

Si un côté de l'appareil est visible, il faudra utiliser un panneau latéral.

Le panneau latéral doit être fermement fixé contre le mur, le sol ou un placard/le appareillages situés au-dessus avant de placer l'appareil dans la cavité.

Pour dimensionner le panneau latéral, basez-vous sur les dimensions du panneau opposé formant la cavité. Pendant l'installation, veillez à ce que la cavité reste à angles droits et qu'elle ait la taille exacte.

### Appareils individuels avec séparation



- Lorsque vous dimensionnez la séparation affectée à la configuration 4 ci-dessus, notez l'épaisseur de la façade des meubles pour empêcher des dégâts lors de l'ouverture simultanée des portes.
- Utilisez le kit de chauffage pour combinaison extrême, si l'espace vide entre les appareils est inférieur à 6" (160 mm). Voir la section consacrée aux «Accessoires en option».
- Épaisseur minimum de la séparation  $5/8$ " (16 mm).

## Installation

### **AVERTISSEMENT:**

N'installez pas cet appareil :

- en plein air,
- dans un environnement où de l'eau goutte,
- dans des locaux où règne une température inférieure à 32 °F (0 °C).

L'appareil est très lourd.

Réfrigérateur/congélateur Les poids à vide combinés 30" (762 mm): env. 430 lbs/195 kg

## Local d'installation

Il faudra installer l'appareil dans une pièce sèche et bien aérée.

La température ambiante ne doit pas descendre en dessous de 55 °F (13°C) ni monter au-dessus de 110 °F (43 °C), faute de quoi l'appareil risque de mal fonctionner.

L'emplacement ne doit pas être directement exposé aux rayons solaires ou proche de sources de chaleur tels qu'une chaudière, un radiateur, etc. S'il n'y a pas moyen d'éviter une installation à proximité d'une source de chaleur, utilisez un panneau isolant approprié ou respectez les distances minimum suivantes par rapport à la source de chaleur :

- 1<sup>1</sup>/<sub>4</sub>" (30 mm) d'une cuisinière électrique,
- 12" (300 mm) d'une chaudière à combustible solide.

## Installation stable

L'appareil est très lourd et tend à basculer en avant lorsque vous ouvrez la porte.

N'ouvrez jamais la porte tant qu'un moyen empêchant l'appareil de se renverser n'a pas été installé.

La méthode la plus sûre pour installer l'appareil dans une position stable consiste à utiliser les dispositifs anti-renversement livrés d'origine.

Si la cavité d'installation est suffisamment solide et si l'appareil a été fixé de manière sûre contre les parois supérieure et latérales de cette cavité, cela lui apportera une stabilité additionnelle. Prérequis indispensable à cela : il faut que la cavité d'installation soit fermement fixée contre le mur arrière !

En cas de doute, contactez un architecte ou un expert en bâtiment.

## Cavité d'installation

### **Remarque:**

Nous suggérons instamment de former la limite supérieure de la cavité à l'aide d'un matériau dur (épaisseur 5/8" (16 mm)).

Assurez-vous que les parois latérales de la cavité sont parfaitement alignées ! Si pour certaines raisons vous créez un placard-cavité séparé, veillez à ce que la zone du retour de meuble fasse au moins 4" (100 mm) de profondeur.

Pour une installation sans incident de l'appareil et pour qu'ensuite la façade du meuble soit esthétique, il est important que la cavité d'installation ait bien les dimensions spécifiées.

Assurez-vous en particulier que la cavité présente des angles droits.

Vous pouvez le vérifier avec des moyens appropriés, par exemple un niveau à bulle, des mesures en diagonale, etc.

## Meubles

Le nouvel appareil est vissé de manière sûre contre des meubles/appareillages adjacents ou situés au dessus de lui.

Pour cette raison, il est essentiel que tous les meubles/appareillages soient fixés de manière sûre contre le sol ou le mur à l'aide de moyens appropriés.

## Sol

### **AVERTISSEMENT:**

Un appareil plein est très lourd. portance du sol, reportez-vous suivant :  
Réfrigérateur/congélateur combinés 30" (762 mm): env. 930 lbs/420 kg

Pour être sûr que l'appareil a été installé de façon sûre et qu'il fonctionne correctement, le sol doit être plat et horizontal.

Le sol doit être constitué d'un matériau dur et rigide.

La surface d'installation doit se trouver au même niveau que le reste de la pièce (no step up or down).

Compte tenu du poids élevé de l'appareil lorsqu'il est plein, il faut que le sol offre la portance nécessaire. En cas de doute, contactez un architecte ou un expert en bâtiment.

## Alignement de l'appareil

Pour assurer que l'appareil fonctionne correctement, il faut le niveler de façon correcte.

Si l'appareil n'est pas nivelé, de l'eau risque de couler du distributeur de glace, les glaçons risquent d'être irréguliers ou les portes risquent de ne pas se fermer correctement.

## Raccordement à l'alimentation électrique

### AVERTISSEMENT

- Évitez le risque de choc électrique !
- Connectez avec une prise femelle tripolaire reliée à la terre. N'enlevez jamais la phase de terre. N'utilisez aucun adaptateur. N'utilisez aucun prolongateur.
- Une erreur dans l'exécution de ces instructions peut entraîner la mort, un incendie ou un choc électrique. La connexion incorrecte du fil de terre peut entraîner un choc électrique. Si vous n'êtes pas certain(e) que l'appareil a été correctement connecté à la terre, faites-le vérifier par un électricien qualifié ou par un technicien du service après-vente.

La prise doit être proche de l'appareil et demeurer librement accessible même après avoir installé ce dernier. L'appareil est conforme à la classe de protection I. Connectez l'appareil au courant alternatif 115 Hz / 60 Hz, via une prise femelle installée réglementairement et comportant un fil de terre. La prise doit être protégée par un fusible supportant un ampérage de 10 A à 16 A.

L'appareil est livré équipé d'un cordon de raccordement au réseau à trois fils homologué UL. L'appareil requiert une prise à trois pôles. Veuillez dans ce contexte tenir compte du tableau suivant :

Appareil	Ampérage instantané maximal
Réfrigérateur/congélateur combinés 33" (762 mm)	6.0 ampères

Vérifiez sur la plaque signalétique si la tension indiquée et le type de courant correspondent au paramétrage de votre réseau électrique. La position de la plaque signalétique est indiquée au chapitre Service après-vente.

### AVERTISSEMENT

Il ne faut en aucun cas raccorder l'appareil à des fiches électroniques d'économie d'énergie.

Nos appareils peuvent être alimentés via des onduleurs pilotés par le secteur ou à pilotage sinusoïdal. Directement raccordées au secteur public, les installations photovoltaïques font appel à des onduleurs pilotés par le secteur. Dans les solutions en îlots (p. ex. sur les bateaux ou les refuges de montagne), ne disposant pas d'un raccordement direct au secteur électrique public, il faut utiliser des onduleurs à pilotage sinusoïdal.

## Raccordement de l'eau

### ATTENTION:

Ne raccordez l'appareil qu'à l'eau potable !

Le raccordement de l'eau est une opération exclusivement réservée à un installateur professionnel qui respectera ce faisant les prescriptions publiées par la compagnie distributrice d'eau dans votre localité.

Le fonctionnement du distributeur automatique de glaçons demande la présence d'une arrivée d'eau froide terminée par un raccord. La pression de l'eau doit être comprise entre 25 et 120 p.s.i. (1,72 et 8,25 bars).

L'installation doit avoir lieu en respectant la réglementation appliquée par les installateurs d'équipements sanitaires.

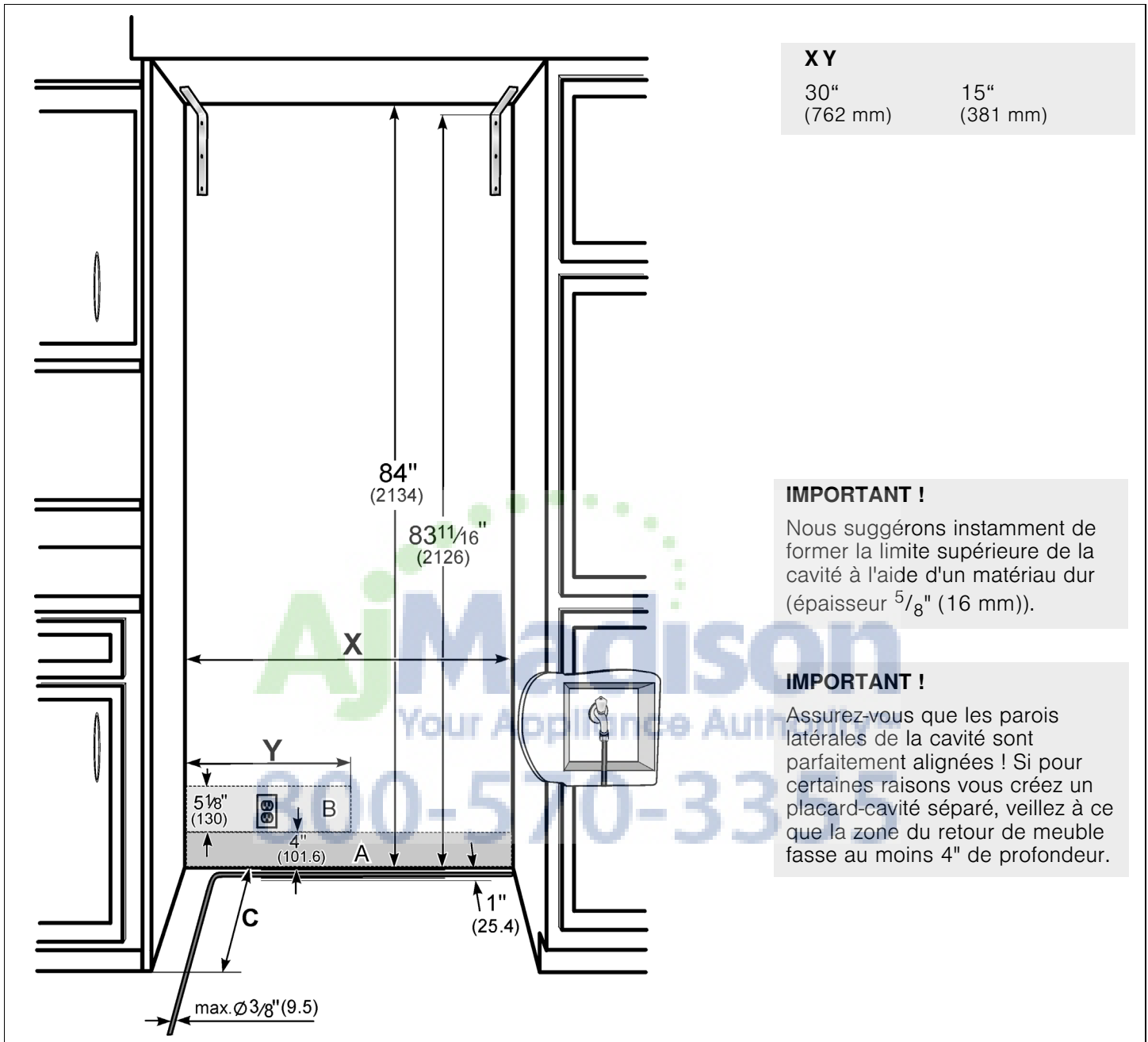
Sur la conduite d'arrivée d'eau froide, il faut intercaler un robinet de fermeture à part. Ce robinet ne doit pas se trouver derrière l'appareil. Il est recommandé de monter ce robinet directement à côté de l'appareil ou dans un autre endroit facilement accessible.

Au moment d'installer le raccordement de l'eau, respectez bien les zones admettant le passage de la conduite d'eau. Pour réaliser le raccordement au réseau d'eau potable, il ne faut utiliser que des conduites d'eau adaptées à l'eau potable. Il faut respecter la réglementation nationale et les conditions de raccordement publiées par les compagnies distributrices d'eau locales.

Lors du raccordement de l'eau, examinez les zones d'installation admises pour la conduite. En ce qui concerne les zones d'installation permises et les dimensions, reportez-vous à la section intitulée « Dimensions d'installation ».

La conduite d'eau (sans les pièces de jonctions) doit faire au maximum  $\frac{3}{8}$ " (9,5 mm) de diamètre extérieur.

## Dimensions d'installation



### Légende :

A Représente la zone où installer le raccordement de l'eau.

Nous recommandons de placer la boîte à eau à côté de la cavité d'installation de façon à pouvoir l'atteindre, lors d'activités de maintenance, sans devoir désinstaller l'appareil. Si ce n'est pas possible, placez la boîte à eau dans la zone foncée.

B Représente la zone où installer le raccordement de l'électricité.

C Profondeur d'ouverture de la cavité, ceci dépendant de la configuration de la cuisine.

C = 24" (610 mm) minimum.



## Accessoires et outillage requis

### Accessoires fournis

- Instructions d'installation
- Instructions d'utilisation
- Kit d'installation

### Accessoires en option

#### Kit de chauffage pour combinaison de base côte à côte XHEATKIT10

Si l'espace vide entre les appareils est inférieur à 6" (160 mm)

### Autres accessoires requis

#### Kit d'installation de distributeur de glaçons, conduite en cuivre de 1/4" de diamètre extérieur

Ce kit sert à raccorder les appareils qui ont besoin d'eau, par exemple pour alimenter un distributeur de glaçons.

### Autres

- Escabeau
- Socle mobile, diable brouette
- Perceuse à percussion pour percer des trous dans le mur ou le sol
- Forets adaptés aux matériaux et de différentes dimensions
- Madrier (section minimum 3" x 4") à titre de protection alternative contre le renversement, d'une longueur correspondant à la cavité d'installation
- Vis à bois de différentes tailles
- Matériau mince pour protéger le revêtement de sol (en linoléum par exemple) contre les dégâts
- Matériau approprié pour recouvrir et protéger les meubles (par ex. feuilles protectrices).
- Ruban adhésif

#### Remarque:

Avant l'utilisation, vérifiez si le ruban adhésif laisse des traces de colle sur les surfaces des pièces ! S'il en laisse, ne l'utilisez pas sur les surfaces de haute qualité.

## Outils



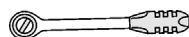
Visseuse sans cordon



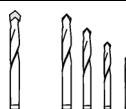
Embout Torx T20 / T30 + support magnétique



Tournevis Torx T20



Clé à pipe 5/16" (8 mm) pour écrou hexagonal



Forets à bois de différentes tailles



Clé à fourche 1/2", calibre 13



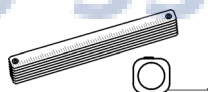
Pince multiprises



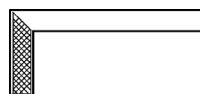
Clé anglaise



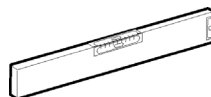
Cutter à lame ajustable



Mètre pliant, mètre à ruban métallique



Équerre



Niveau à bulle de 2' (60 cm) et 4' (1,2 m)



## Instructions d'installation

La notice de montage suivante décrit les étapes de montage pour différents types d'appareils.

Pour cette raison et selon les circonstances, il peut arriver que le contenu des illustrations ne corresponde pas exactement avec les appareils réels.

La notice décrit les étapes de montage spécifiques à certains types d'appareils.

### 1. Vérification de la cavité d'installation

#### ⚠ ATTENTION:

Pour une installation sûre et sans contretemps, utilisez la check-list suivante :

1. Vérifiez le sol.  
Suivez les instructions dans la section «Lieu d'installation».
2. Vérifiez la dimension de la cavité.  
Suivez les instructions dans la section « Dimensions d'installation».
3. Vérifiez que la cavité présente des angles droits.
4. Vérifiez l'emplacement de la prise.  
Respectez également les instructions dans la section « Raccordement à l'alimentation électrique », ainsi dans la section « Dimensions d'installation ».
5. Vérifiez l'emplacement du branchement de l'eau (uniquement pour les appareils équipés d'un distributeur de glaçons).  
Respectez également les instructions dans la section « Raccordement de l'eau », ainsi dans la section « Dimensions d'installation ».  
Vérifiez la fixation des meubles/appareillages adjacents. Toutes les pièces constitutives d'un meuble à proximité de l'appareil doivent être fixées de manière sûre contre le mur.
6. Vérifiez la fixation des meubles/appareillages adjacents. Toutes les pièces constitutives d'un meuble à proximité de l'appareil doivent être fixées de manière sûre contre le mur.
7. Vérifiez que les meubles/appareillages adjacents n'entreront pas en collision (angle d'ouverture de porte).

### 2. Enlèvement de l'emballage

#### ⚠ AVERTISSEMENT:

Soyez prudent, sinon les personnes qui vous aident risquent de se blesser et l'appareil risque quant à lui de s'endommager !

- L'appareil risque de se renverser pendant son déballage ou si vous ouvrez ses portes.
- L'appareil est très lourd.

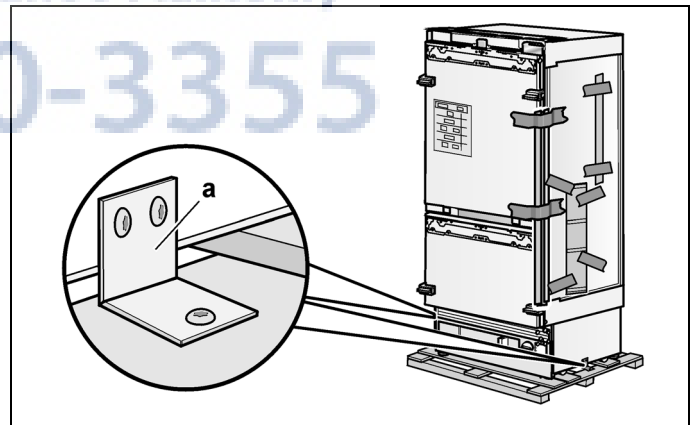
#### Remarque:

Vérifiez si l'appareil présente des dégâts dus au transport.

Si l'appareil présente des dégâts visibles, ne l'installez pas. En cas d'incertitudes, veuillez prendre contact avec le revendeur.

Pour protéger le sol contre les dégâts pendant l'installation :

1. Enlevez le carton. Utilisez le cutter avec prudence pour ne pas endommager les surfaces de l'appareil.
2. Placez sous l'appareil du carton d'emballage ou du contreplaqué.
3. Retirez les accessoires fixés contre l'extérieur de l'appareil.  
Conservez les rubans adhésifs avec lesquels les accessoires d'origine étaient fixés contre l'appareil. Ils serviront plus tard à fixer les protège-bords contre les parois de cavité (voir section « A / 3. Fixation du protège-bords »).
4. Détachez la cale de transport (a) et soulevez l'appareil de la palette – Attention, il est très lourd !



- Ouvrez prudemment l'appareil – Attention, il risque de se renverser – et retirez les accessoires ainsi que la quincaillerie de montage présente à l'intérieur. Refermez la porte.

**Remarque:**

N'enlevez les cales de transport, servant à protéger les tiroirs et casiers de rangement dans l'appareil, qu'après avoir achevé l'installation, car ces pièces risquent sinon d'être endommagées.

### 3. Transport de l'appareil

**⚠ AVERTISSEMENT:**

Soyez prudent sinon les assistants risquent de se blesser ou l'appareil de s'endommager.

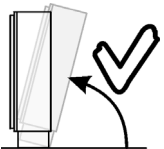
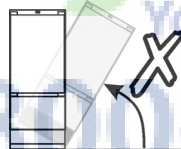
L'appareil est très lourd !

L'appareil fait 83<sup>1</sup>/<sub>9</sub>" (2126 mm) de haut. Si le transport en position debout n'est pas possible du fait de la configuration du lieu, il est possible de le transporter couché.

**Remarque:**

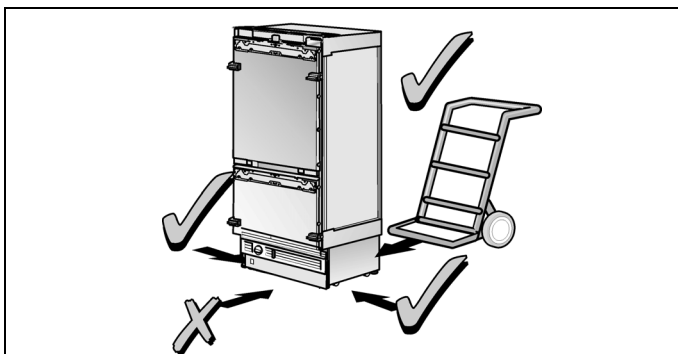
Ne soulevez pas l'appareil par les panneaux latéraux ! Risque d'endommagement !

Au moment de redresser l'appareil, respectez la hauteur minimum nécessaire sur le lieu d'installation, ainsi que le contenu du tableau suivant :

Redressement via le dos de l'appareil	Redressement via les panneaux latéraux de l'appareil
	
Hauteur minimum 86" / 2185 mm	Ne soulevez pas l'appareil par les panneaux latéraux !

**Remarque:**

Appliquez toujours le moyen de transport au dos de l'appareil. Ne le passez jamais sous l'avant ou sous un côté de l'appareil. Vous risquez sinon d'endommager l'appareil.

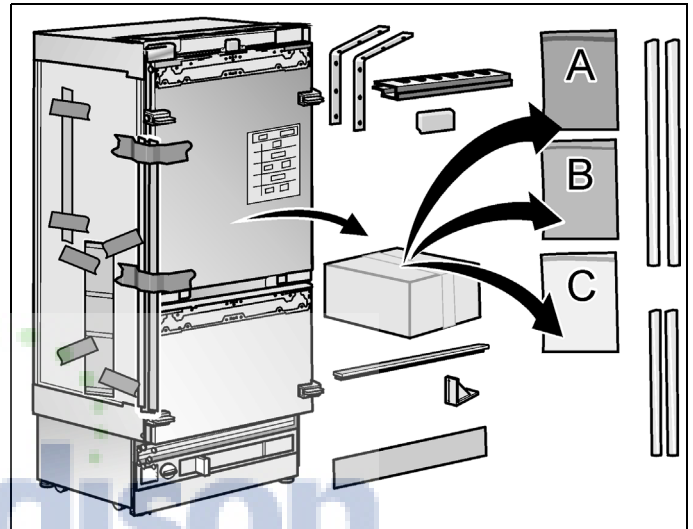


- Transportez l'appareil avec un moyen de transport approprié au lieu d'installation et à l'appareil (diable, chariot élévateur ou chariot à roulettes).
- Sécurisez l'appareil pour empêcher son renversement pendant le transport.

### 4. Préparation du montage

Déballez la quincaillerie de montage et les accessoires.

Pour simplifier l'installation, les paquets sont identifiés par les étiquettes A, B et C qui renvoient aux sections correspondantes du manuel.



### 5. Étapes spéciales de montage

Le symbole suivant indique des étapes de travail supplémentaires à effectuer avant de passer au chapitre suivant.

Les étapes d'installation spéciales sont décrites au-delà de la section C.



- Inversion du sens d'ouverture de porte, voir « Inversion du sens d'ouverture des portes ».
- Raccordement de l'eau, voir « Préparation du raccordement de l'eau » et « Raccordement de l'eau à l'appareil ».
- Tige butée de porte, voir « Ajustage de l'angle d'ouverture de porte ».

# 1. Fixation des cornières anti-renversement

## ⚠ AVERTISSEMENT:

Risque de blessures et d'endommagement !  
Veillez à ce qu'il n'y ait aucun fil électrique ou conduite dans lesquels les vis risqueraient de pénétrer.

## ⚠ ATTENTION:

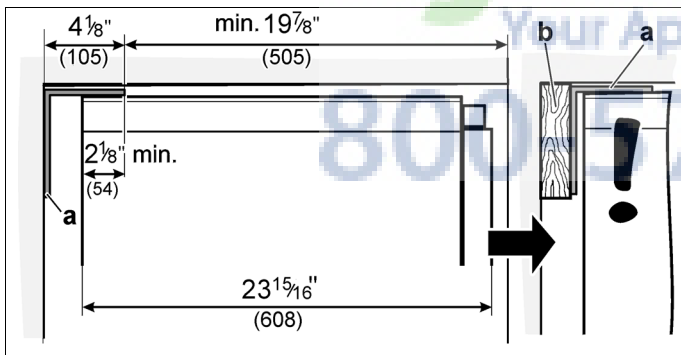
Risques de blessures !  
Portez toujours des lunettes enveloppantes ou d'autres dispositifs et équipements de protection nécessaires lorsque vous installez des ancrages ou travaillez avec des ancrages.

### Remarque:

- Chaque appareil requiert 2 cornières anti-renversement.
- Le kit fournit contient des vis de fixation destinées à différentes applications. Sélectionnez les vis de fixation conformément aux conditions locales.

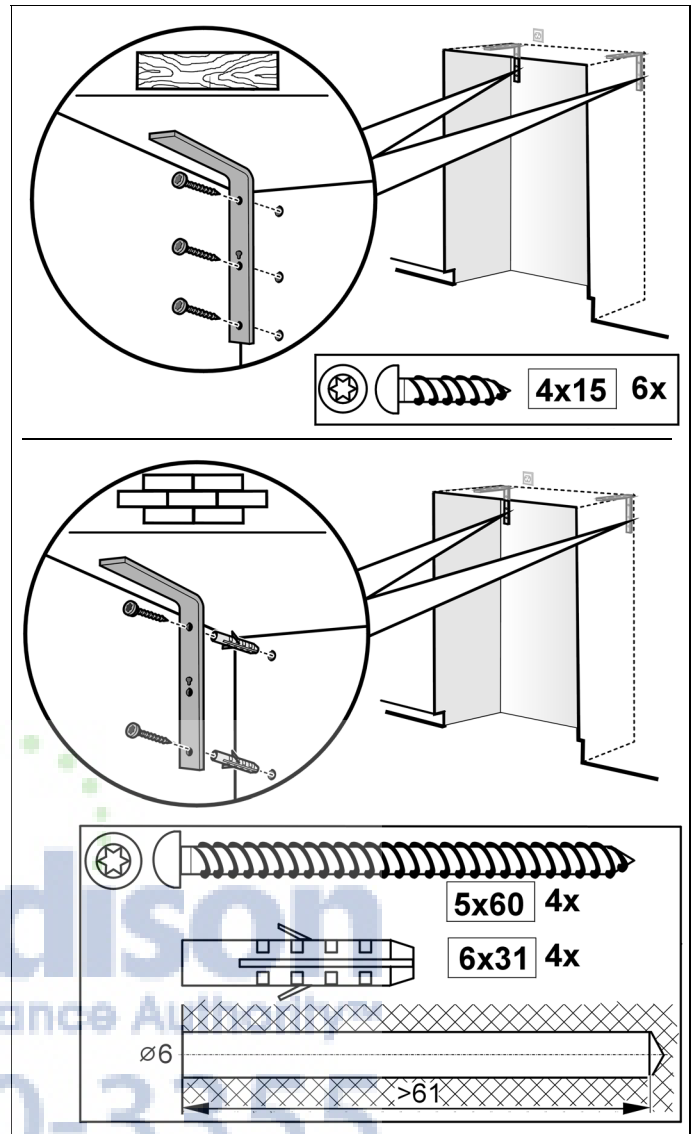
Pour retenir les appareils sûrement à la verticale, les cornières anti-renversement (a) doivent les retenir par une longueur d'au minimum 2 1/8" (54 mm).

Si les impératifs structurels empêchent de respecter cette longueur minimum, il est malgré tout possible d'y parvenir en intercalant un dispositif compensateur derrière la cornière anti-renversement, une planche suffisamment épaisse (b) par exemple.



Il faudrait que la longueur de la planche corresponde à la largeur de la cavité d'installation !

1. Définissez les points de fixation des cornières anti-renversement.  
Déterminez les dimensions détaillées conformément à la section « Dimensions d'installation ».
2. Fixez complètement les cornières anti-renversement. Assurez-vous que les vis tiennent fermement.



### Remarques importantes visant la fixation par chevilles et vis :

Ancres déconseillées dans la maçonnerie légère ou dans des matériaux tels que les parpaings ou les briques.

Ancres déconseillées dans le béton neuf qui n'a pas encore eu le temps de prendre.

## 2. Fixation d'un dispositif anti-renversement alternatif

### Remarque important :

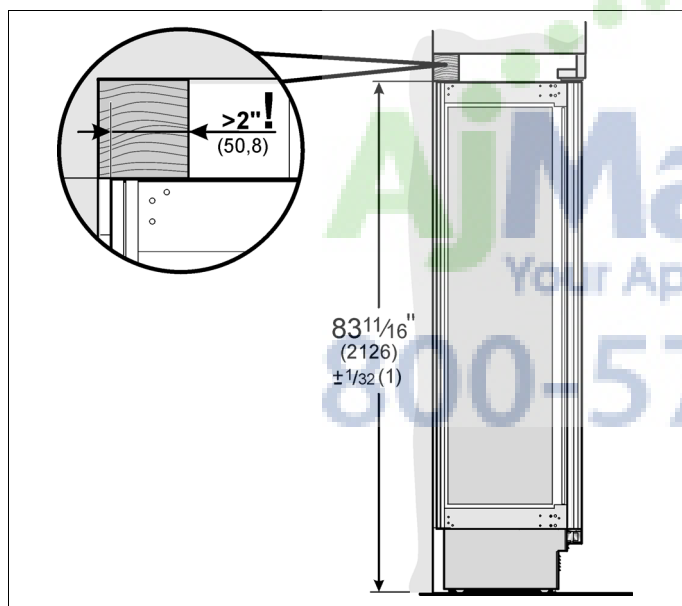
S'il n'est pas possible de fixer les cornières anti-renversement de manière sûre, vous pouvez fixer un dispositif anti-renversement alternatif. Toutefois, veillez à ce qu'il n'y ait pas de jeu entre l'appareil et le dispositif anti-renversement. Si possible, vissez toujours le madrier contre les tenons préexistants situés sur le panneau arrière de la cavité.

1. Sciez le madrier (section minimum 3" x 4") à la longueur requise.

La longueur est égale à la largeur de la cavité d'installation !

### Remarque:

- Si la cavité d'installation est plus profonde que l'appareil, sélectionnez un madrier qui présente une plus forte section ou fixez 2 madriers l'un contre l'autre.
- Le madrier doit recouvrir l'appareil sur au moins 2" (50,8 mm).



2. Sur le panneau arrière de la cavité, marquez la hauteur de l'installation (bord inférieur du madrier).
3. Sélectionnez les vis conformément à l'épaisseur du madrier : longueur = 2,5 min. x épaisseur du madrier, diamètre #12 ou #14.

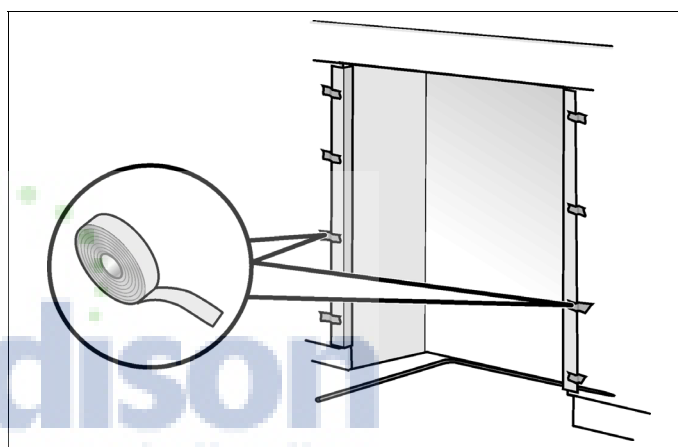
### Remarque:

Déterminez le nombre de vis en fonction de la largeur de la cavité, en veillant à ce que le madrier puisse être fixée de manière sûre.

4. Suivant la nature de la surface support :  
Recherchez des supports dans la paroi arrière de la cavité et percez les trous dans le madrier en fonction de la position de ces supports.  
ou bien  
Fixez des chevilles appropriées dans la paroi arrière.
5. Percez des trous préparatoires dans le madrier.
6. Fixez le madrier contre le panneau arrière de la cavité.

## 3. Fixation du protège-bords

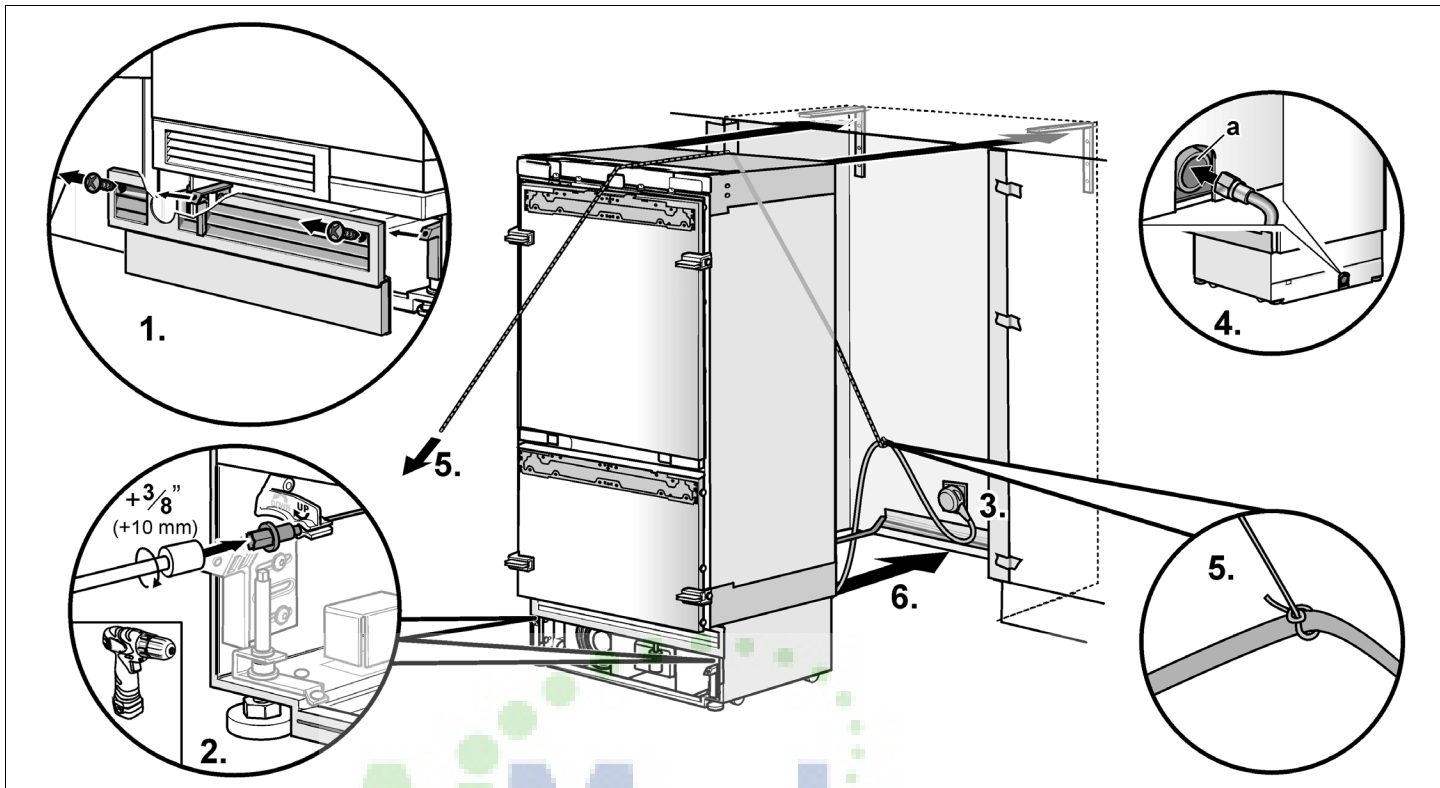
Pour protéger les arêtes de la cavité d'installation, il est recommandé d'utiliser des protège-bords en matériau approprié.



Des étapes de montage spéciales suivent. Des instructions sont fournies au-delà de la section C.

- Inversion du sens d'ouverture de porte, voir « Inversion du sens d'ouverture des portes ».
- Raccordement de l'eau, voir « Préparation du raccordement de l'eau ».

## 4. Pousser l'appareil dans la cavité d'installation

**A**

### ⚠ ATTENTION:

Prudence lorsque vous poussez l'appareil dans la cavité d'installation. Veillez bien à ne pas endommager la conduite d'eau ou le cordon d'alimentation électrique.

### Remarque:

Si le plancher ou l'appareil n'est pas horizontal par rapport à la cavité d'installation, ajustez les roues réglables en hauteur avant d'introduire l'appareil dans la cavité d'installation.

1. Retirez le bandeau de socle.
2. A l'arrière, soulevez d'environ  $\frac{3}{8}$ " (10 mm) les roues ajustables en hauteur.
3. Branchez la fiche mâle dans la prise de courant.
4. Au dos de l'appareil, poussez le flexible à eau dans le tube de protection (a).

### ⚠ AVERTISSEMENT:

Opérez prudemment car les gens qui aident risquent d'être blessés ou l'appareil risque de s'endommager.

L'appareil risque de se renverser tandis que le flexible à eau pousse dans le tube de protection.

5. Pour empêcher que le cordon électrique ne se coince, nouez une corde à mi-chemin du cordon puis faites passer la corde par dessus l'appareil. Au moment de pousser l'appareil, tirez le cordon électrique vers le haut. Veillez bien à ne pas pincer le cordon électrique.

Ou bien

Prenez du ruban adhésif, collez le cordon d'alimentation électrique contre le plancher, au centre derrière l'appareil, à env. 15" (380 mm) du panneau arrière de la cavité.

6. Poussez doucement l'appareil dans la cavité d'installation.
7. Retirez les protège-bords (s'ils avaient été fixés).



## 1. Alignement de l'appareil dans la cavité d'installation

**B**

### Remarque:

Pour assurer que l'appareil fonctionne correctement, il faut le niveler impeccablement.

### Alignement en profondeur

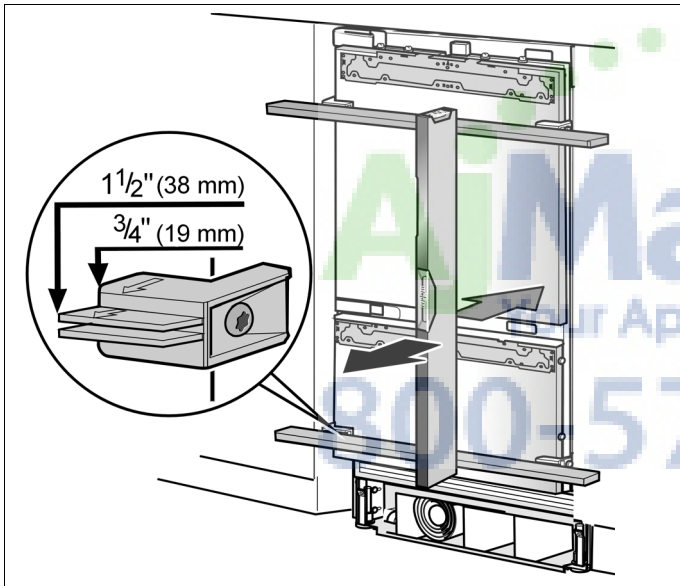
Ces pièces d'aide à l'installation ont été conçues pour des portes de meuble faisant l'épaisseur totale suivante :

- $\frac{3}{4}$ " (19 mm)
- $1\frac{1}{2}$ " (38 mm)

Tenez toujours compte de l'épaisseur, peut-être différente, des façades de meuble qui devront être installées par la suite.

1. Alignez l'appareil sur la façade des meubles.

Placez le niveau à bulle sur les règles situées sur la porte et servant d'aide à l'installation.



### Alignement en hauteur

#### Remarques :

- Ne violez pas ni ne poussez pas l'appareil de force dans la cavité ! Lorsque vous dévissez les pieds réglables en hauteur, procédez graduellement : alternez en permanence entre les côtés gauche et droit, etc.
- Si vous délestez l'arrière de l'appareil, l'ajustage de ses pieds arrière réglables est plus facile.
- L'appareil ne doit pas arriver en position penchée contre les cornières anti-renversement.

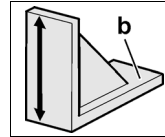
Les pieds réglables en hauteur équipant l'avant et l'arrière de l'appareil se laissent régler depuis l'avant de l'appareil.

Avant : A l'aide d'une clé à fourche  $\frac{1}{2}$ " (calibre 13).

Arrière : A l'aide d'un tournevis à douille  $\frac{5}{16}$ " (8 mm) via une queue flexible.

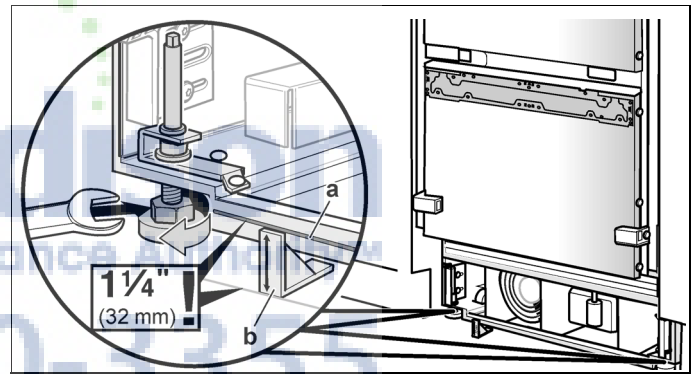
A titre de cote de référence pour l'ajustage en hauteur, une marque (a) a été apposée contre la base de l'appareil. Lors de l'ajustage, il faudra amener cette marque sur une hauteur de  $1\frac{1}{2}$ " (32 mm) au-dessus du sol.

Il est très important de respecter cette dimension pour pouvoir ensuite aligner les façades des meubles.

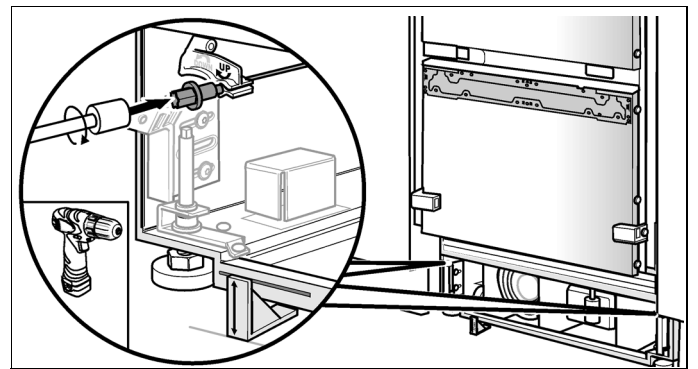


Le gabarit d'ajustage en hauteur (b) sert à régler la hauteur correctement. Il faut que le bord supérieur du gabarit soit aligné sur le marquage figurant sur l'appareil.

2. Dévissez un peu les pieds à l'avant de l'appareil jusqu'à ce que le repère (a) sur ce dernier soit aligné sur le bord supérieur du gabarit d'ajustage en hauteur (b).



3. Alignez verticalement l'appareil par ses pieds arrière. Utilisez un niveau à bulle !



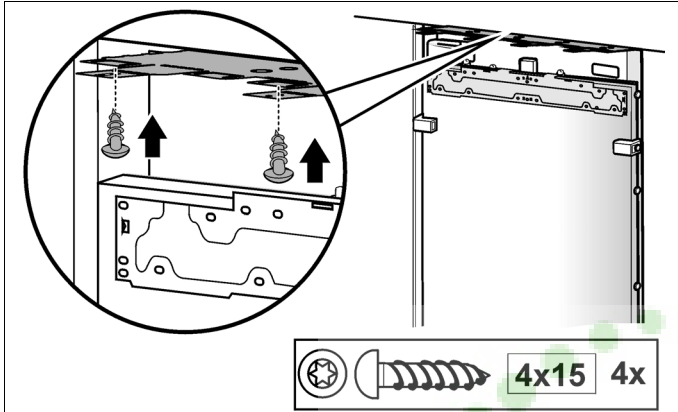


## 2. Fixation de l'appareil dans la cavité d'installation

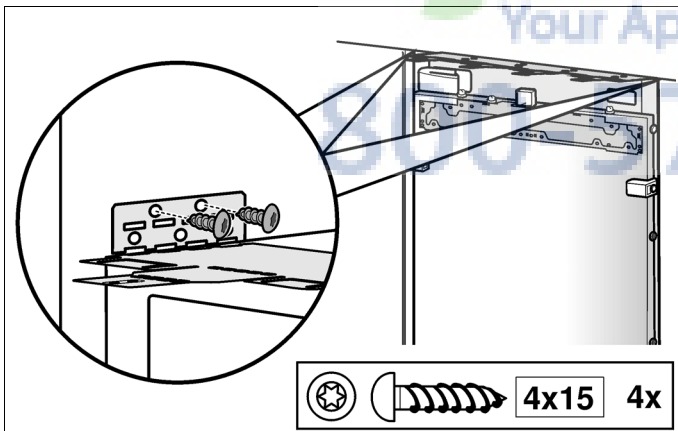
### Remarque:

Il est d'une importance cruciale de fixer l'appareil contre le plafond de la cavité d'installation.

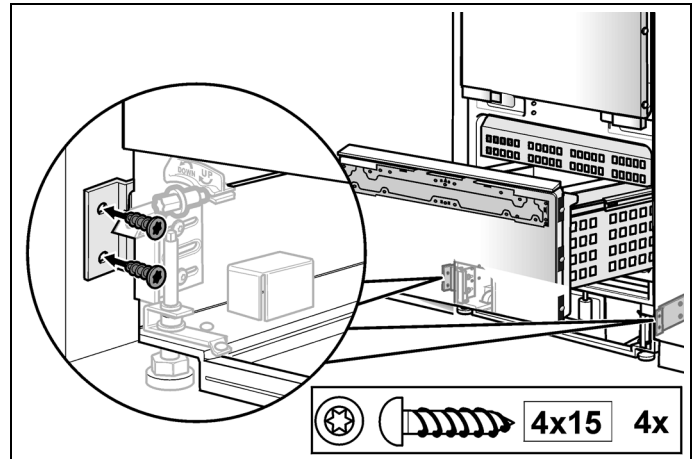
1. Vissez les pattes de fixation (en haut) contre le meuble/les appareillages du dessus.
2. En présence d'une cavité assez importante au dessus de l'appareil, montez impérativement un madrier aux dimensions adaptées et sans jeu au dessus de l'appareil.



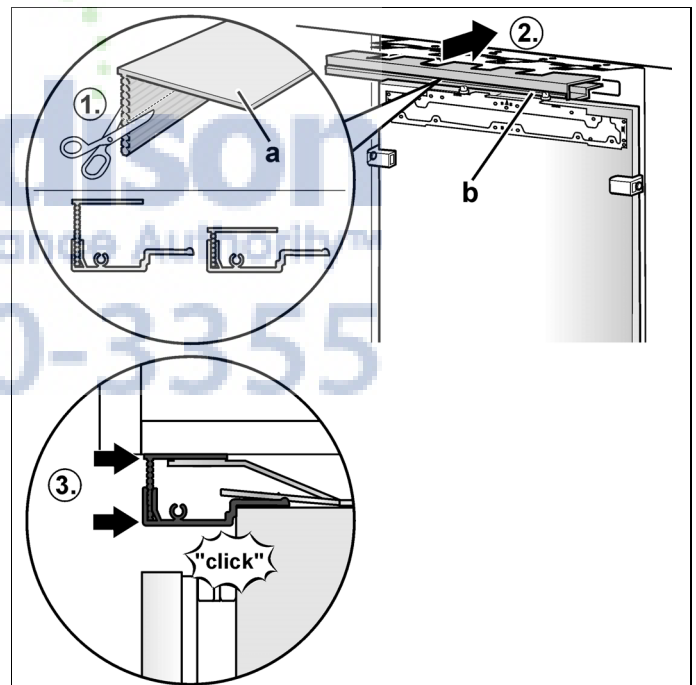
3. S'il y a suffisamment de place au dessus de l'appareil, fixez les pattes latérales (supérieures) de la plaque de montage contre chaque côté de la cavité.



4. Vissez les brides de fixation contre la paroi latérale de la cavité d'installation.



5. Raccourcissez le bandeau d'ajustage (a) à la hauteur voulue pour combler l'interstice.
6. Enfoncez le bandeau d'ajustage (a) dans la baguette couvre-joints.
7. Fixez la baguette couvre-joints (b) contre la plaque de montage (en haut).



Une étape de montage spéciale suit. Des instructions sont fournies au-delà de la section C.

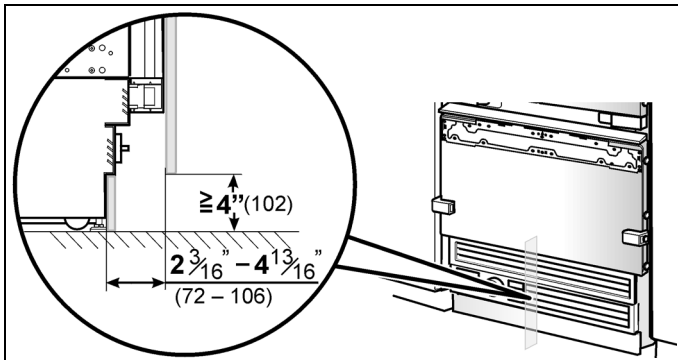
- Raccordement de l'eau, voir « Raccordement de l'eau à l'appareil ».

## 1. Fixation du bandeau de socle

### Remarque:

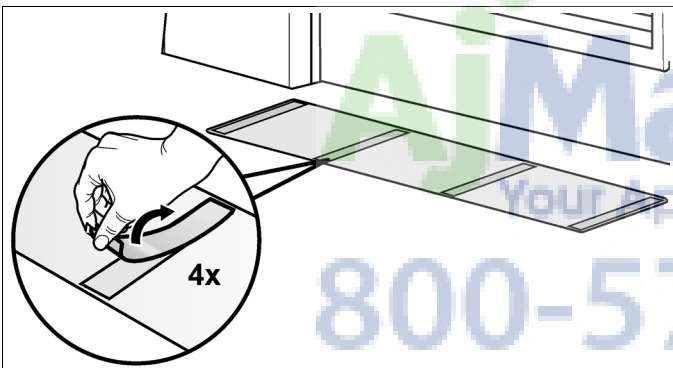
Risque d'endommager l'appareil. Ne recouvrez pas les ouïes de ventilation que comporte le panneau de base.

Dimensions nominales à respecter :

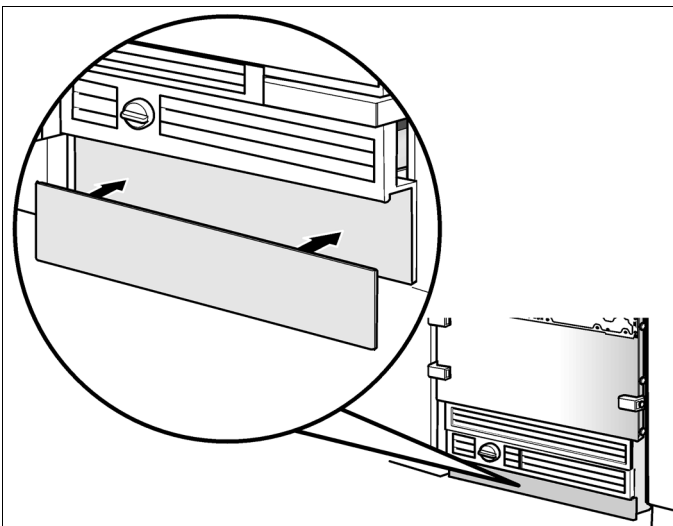


### Panneau en acier inoxydable (accessoire)

1. Fixez le panneau de base contre l'appareil (ne le vissez pas dessus).
2. Retirez la pellicule protectrice des bandes adhésives.



3. Présentez le panneau de socle devant le panneau de base et poussez fermement pour le fixer.

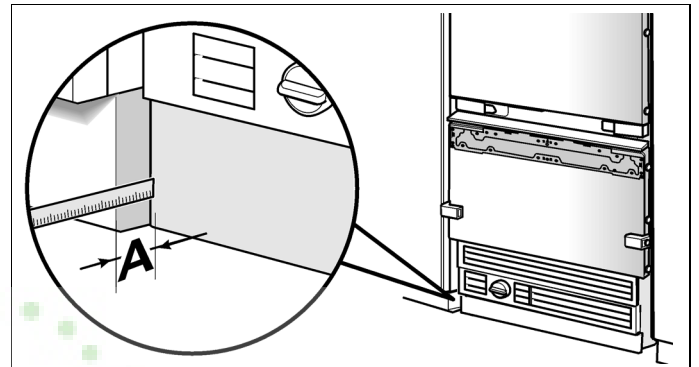


### Panneau en bois

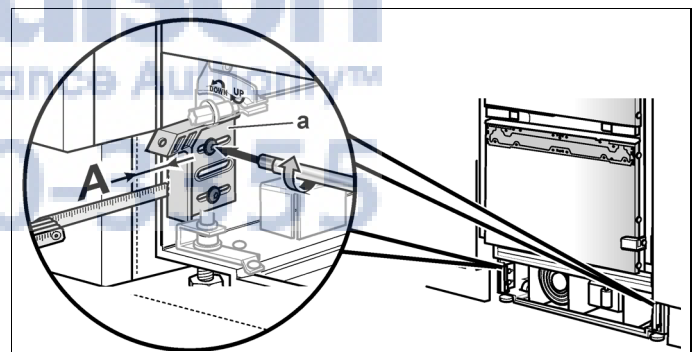
1. Si nécessaire, raccourcissez le panneau de bois à la longueur requise.
2. Par l'arrière, vissez le panneau de bois contre le panneau de base. Des trous taraudés ont été prévus à cette fin dans le panneau de base.

## 2. Alignement du bandeau de socle

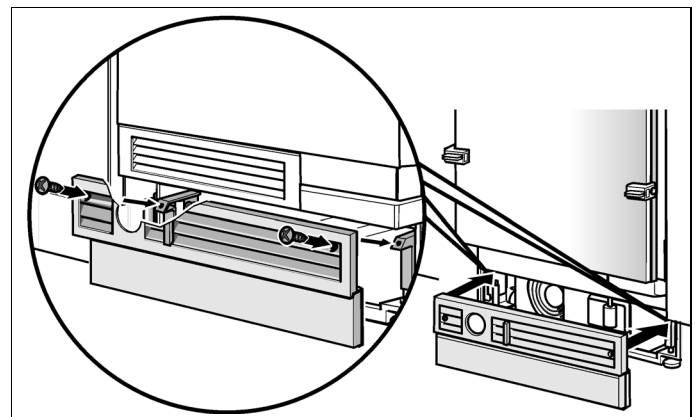
1. Placez le panneau de base (sans visser) puis mesurez la différence de profondeur **A** entre le panneau de base et le bandeau de socle sur le meuble adjacent.



2. Retirez le panneau de base.
3. Ajustez les brides (a) aux dimensions A puis vissez à fond.



4. Fixez le bandeau de socle contre l'appareil.



### 3. Mise en service de l'appareil

Pour garantir la précision des étapes de travail suivantes et donc de l'ensemble de la physionomie ultérieure de la façade de la cuisine, il faut mettre l'appareil en service maintenant.

1. Ouvrez la porte de l'appareil.
2. Appuyez sur le bouton POWER.
3. Appuyez à nouveau sur le bouton POWER pour éteindre.

#### Seulement pour les appareils qui requièrent un raccordement à l'eau courante :

Pour éviter tout risque de dégâts des eaux en cas d'endommagement de la conduite d'arrivée d'eau, le robinet d'obturation doit rester en position fermée.

### 4. Préparation des portes de meubles

#### Remarque important:

Lorsque vous effectuez tous travaux sur les portes des meubles, veuillez tenir compte de ceci :

- Vissez toujours dans le matériau, constitutif de la porte, le mieux capable de supporter la charge.
- Sélectionnez toujours une longueur de vis inférieure à l'épaisseur de la façade du meuble.
- Ne vissez jamais dans les garnitures de remplissage, baguettes enjoliveuses ou assimilées.
- Pour prévenir les dégâts, protégez les surfaces du meuble pendant l'installation.

Le poids total de la façade de meuble ne doit pas dépasser les valeurs suivantes :

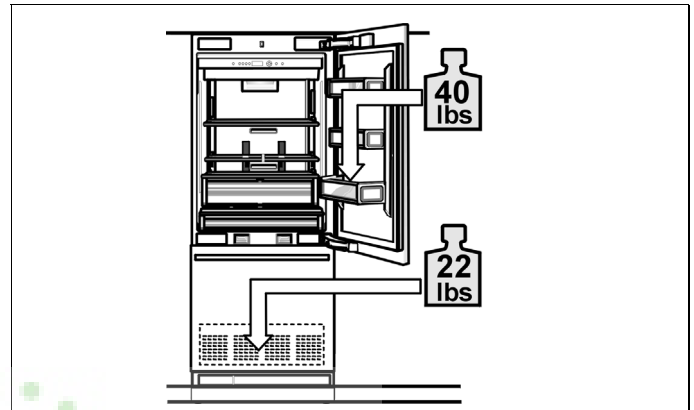
- en haut 1 porte 44 lbs/20 kg
- en bas 25 lbs/11.5 kg

### 5. Application d'une charge à la porte de l'appareil

Pour parvenir à la plus haute précision possible des cotes interstitielles lors de la fixation des portes de meuble, nous recommandons de mettre des poids dans les casiers en contre-porte.

Recommandations :

- en haut 1 porte 40 lbs/18 kg
- en bas 22 lbs/10 kg

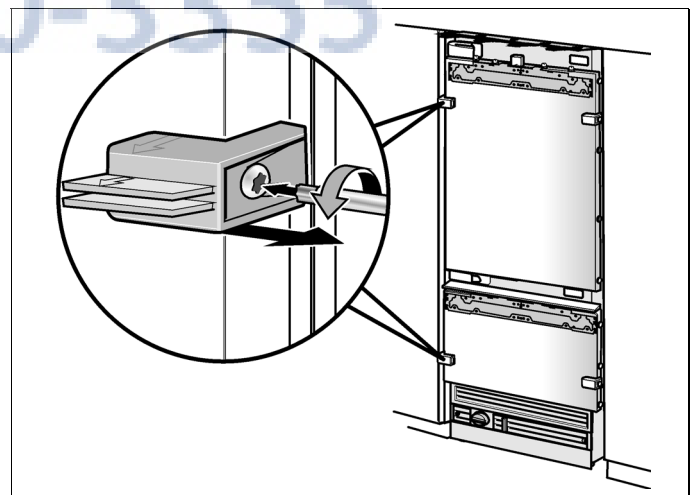


### 6. Enlever l'accessoire de positionnement

De la porte de l'appareil, dévissez la pièce support d'installation.

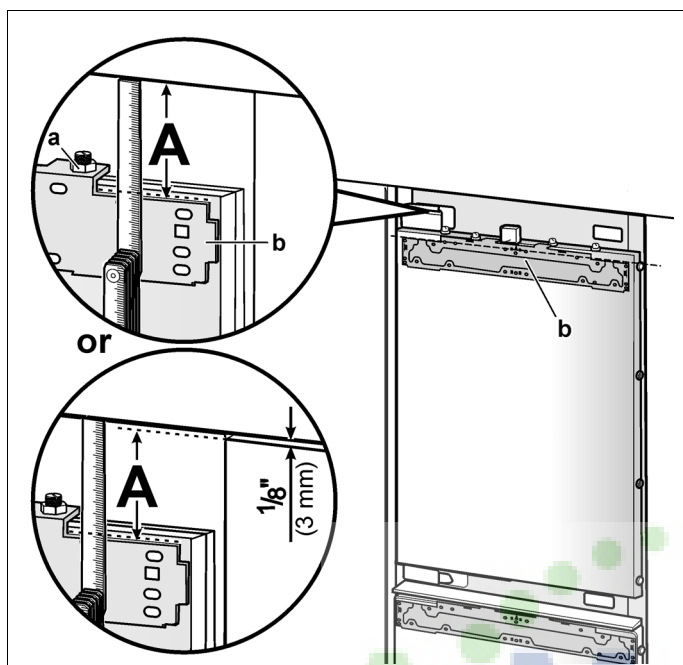
#### Remarque:

Conservez les accessoires d'aide au positionnement, vous en aurez encore besoin dans la suite du montage.

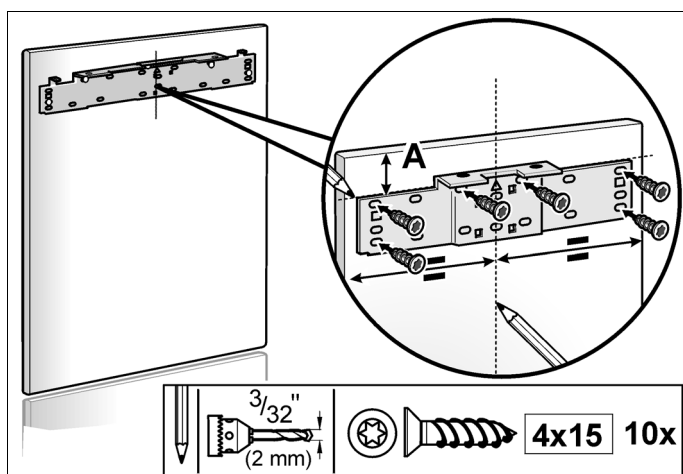


## 7. Fixation du rail d'ajustage contre la porte du meuble (compartiment réfrigérateur)

1. Mesurez la distance **A** entre le rail d'ajustage et le meuble/les appareillages situés au-dessus.



2. Desserrez les 2 écrous (a) et retirez le rail d'ajustage (b).
3. Marquez cette distance X au dos de la porte du meuble.
4. Déterminez et marquez le centre de la porte du meuble.
5. Montez le rail d'ajustage et alignez le long des marquages. Marquez les emplacements des trous de perçage.
6. Percez les trous.
7. Vissez à fond le rail d'ajustage.



### Remarques:

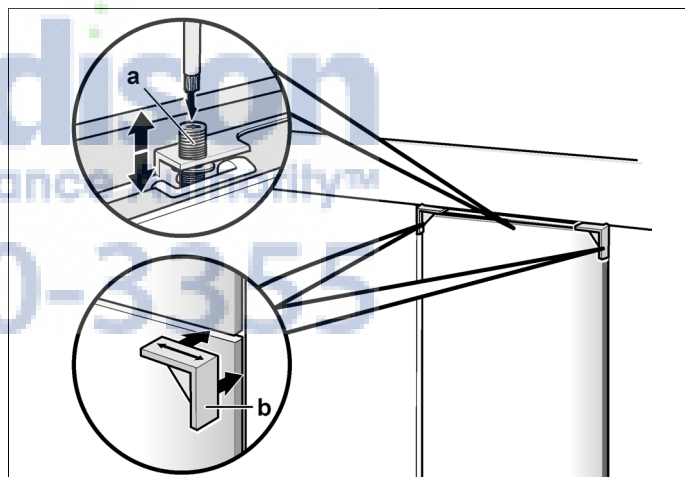
- Vissez le rail d'ajustage contre la porte du meuble à l'aide d'au moins 6 vis. Il faudrait insérer chaque vis sous chaque boulon à double filetage.
- Le rail d'ajustage comporte un ensemble de trous adaptés à différentes options de configuration des portes de meuble. Vissez toujours dans le matériau de la porte de meuble le mieux en mesure de supporter la charge.

## 8. Montage des bandes de fixation contre le panneau de porte (compartiment réfrigérateur)

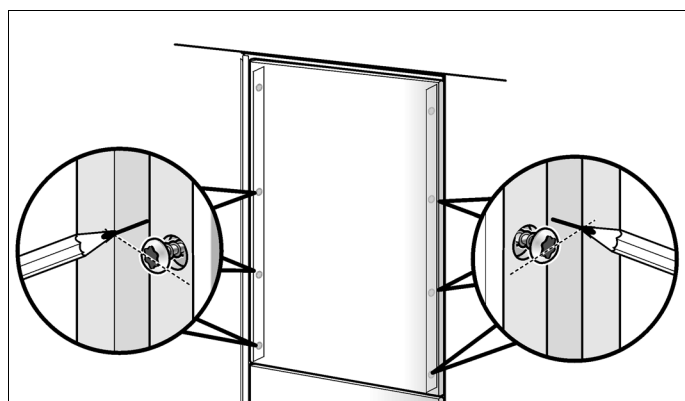
### Remarque:

Les bandes de fixation sont préassemblées pour les portes en acier inoxydable. Dans ce cas, passez à l'étape d'installation suivante ("C / 9. Fixation du rail d'ajustage contre la porte du meuble (compartiment réfrigérateur)").

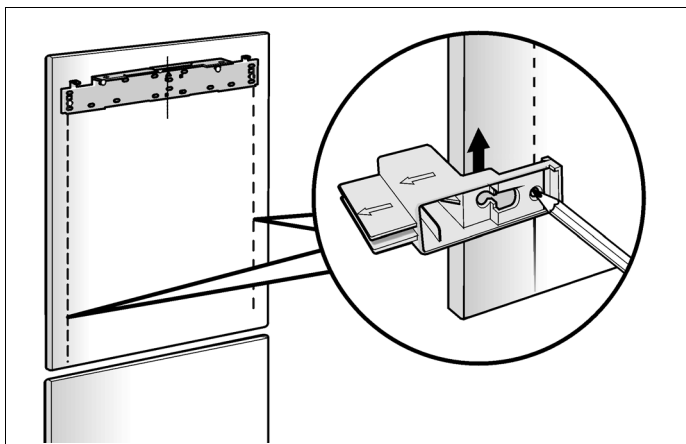
1. Accrochez la porte du meuble contre le boulon à double filetage (a).
2. Alignez la porte du meuble à l'aide des boulons à double filetage (tournevis Torx). Vérifiez continuellement les dimensions de l'interstice. Utilisez le gabarit d'ajustage en hauteur (b).



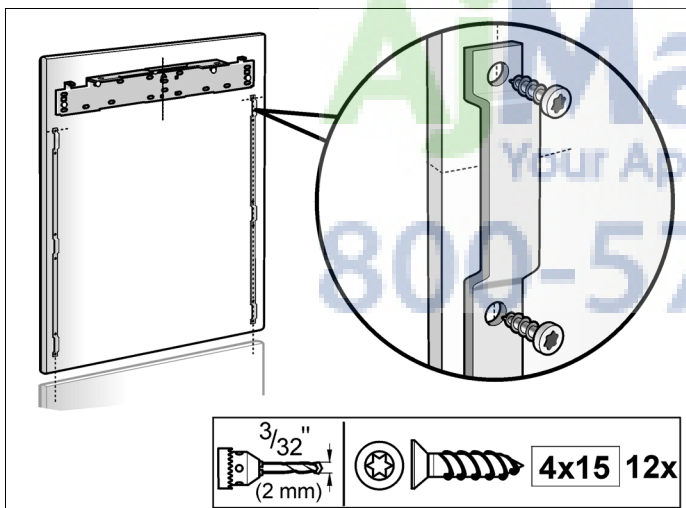
3. Reportez les trous de perçage médians, situés le long du bord extérieur de la porte de l'appareil, contre la façade du meuble et marquez-les.



4. Retirez la porte du meuble.
5. A l'aide de l'accessoire d'aide au positionnement, tracez une ligne parallèle à chaque côté longitudinal de la porte du meuble.



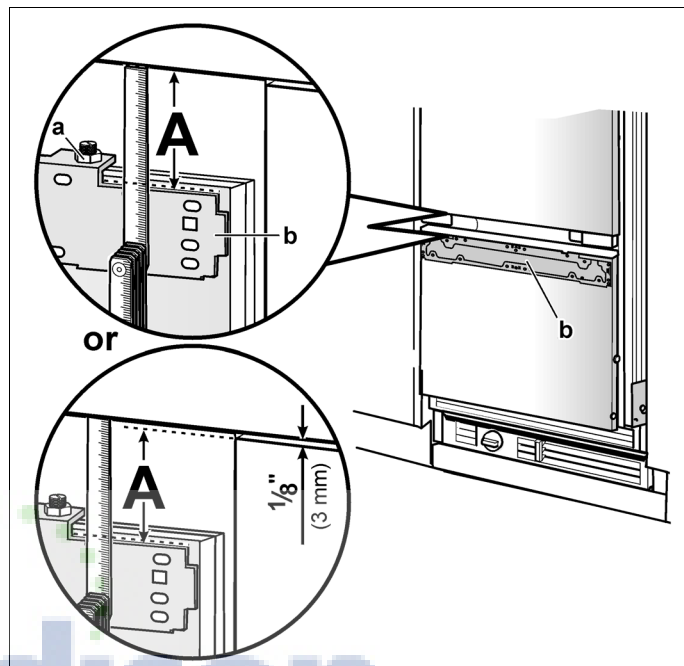
6. A l'aide d'une équerre, reliez les marquages (que vous venez d'effectuer) des trous de perçage avec les marquages verticaux.
7. Appliquez la baguette de fixation et marquez l'emplacement des trous.
8. Percez les trous de fixation.
9. Dans les trous, vissez les baguettes de fixation.



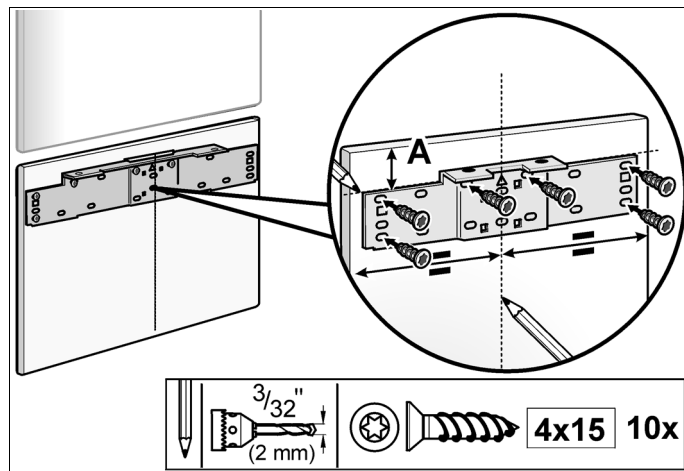
10. Accrochez la porte du meuble contre le boulon à double filetage.

## 9. Fixation du rail d'ajustage contre la porte du meuble (compartiment réfrigérateur)

1. Mesurez la distance **A** entre le rail d'ajustage et les portes du compartiment congélateur situés au-dessus.



2. Desserrez les 2 écrous (a) et retirez le rail d'ajustage (b).
3. Marquez cette distance **A** au dos de la porte du meuble.
4. Déterminez et marquez le centre de la porte du meuble.
5. Montez le rail d'ajustage et alignez le long des marquages. Marquez les emplacements des trous de perçage.
6. Percez les trous.
7. Vissez à fond le rail d'ajustage.





### Remarques:

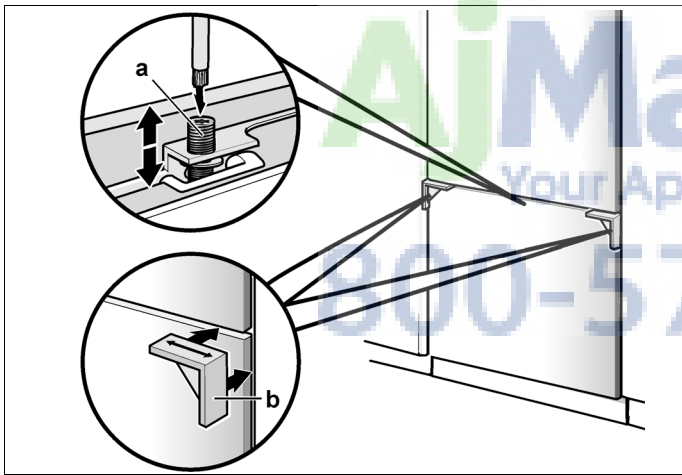
- Vissez le rail d'ajustage contre la porte du meuble à l'aide d'au moins 10 vis. Il faudrait insérer chaque vis sous chaque boulon à double filetage.
- Le rail d'ajustage comporte un ensemble de trous adaptés à différentes options de configuration des portes de meuble. Vissez toujours dans le matériau de la porte de meuble le mieux en mesure de supporter la charge.

## 10. Montage des bandes de fixation contre le panneau de porte (compartiment congélateur)

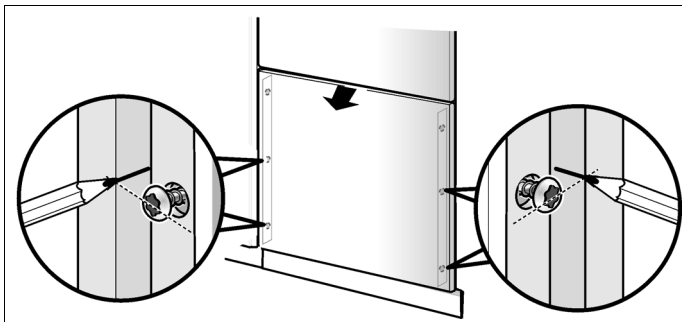
### Remarque:

Les bandes de fixation sont préassemblées pour les portes en acier inoxydable. Dans ce cas, passez à l'étape d'installation suivante ("C / 11. Fixation de la porte de meuble (compartiment réfrigérateur)").

1. Accrochez la porte du meuble contre le boulon à double filetage (a).
2. Alignez la porte du meuble à l'aide des boulons à double filetage (tournevis Torx). Vérifiez continuellement les dimensions de l'interstice. Utilisez le gabarit d'ajustage en hauteur (b).

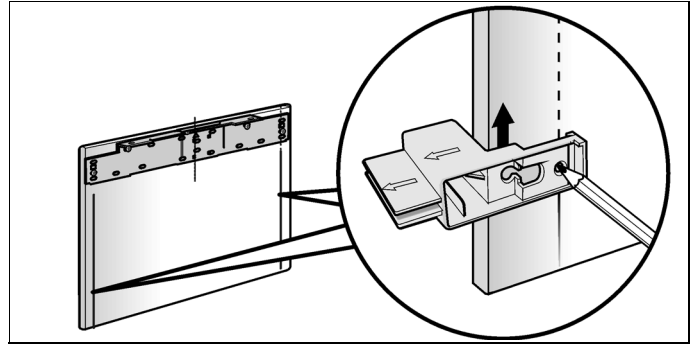


3. Reportez les trous de perçage médians, situés le long du bord extérieur de la porte de l'appareil, contre la façade du meuble et marquez-les.

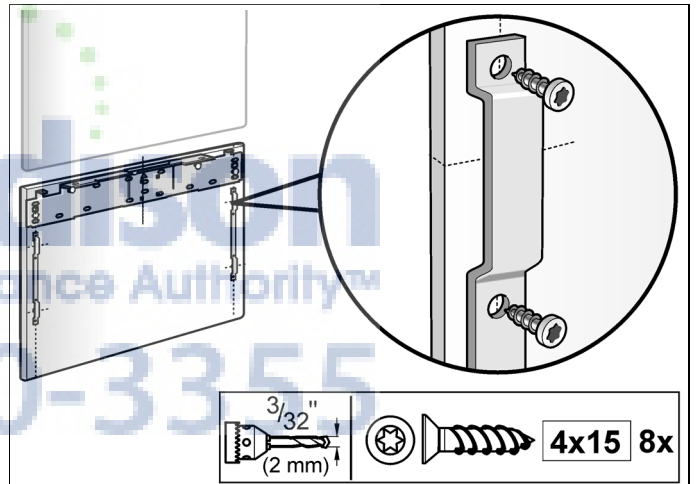


4. Retirez la porte du meuble.

5. A l'aide de l'accessoire d'aide au positionnement, tracez une ligne parallèle à chaque côté longitudinal de la porte du meuble.



6. A l'aide d'une équerre, reliez les marquages (que vous venez d'effectuer) des trous de perçage avec les marquages verticaux.
7. Appliquez la baguette de fixation et marquez l'emplacement des trous.
8. Percez les trous de fixation.
9. Dans les trous, vissez les baguettes de fixation.



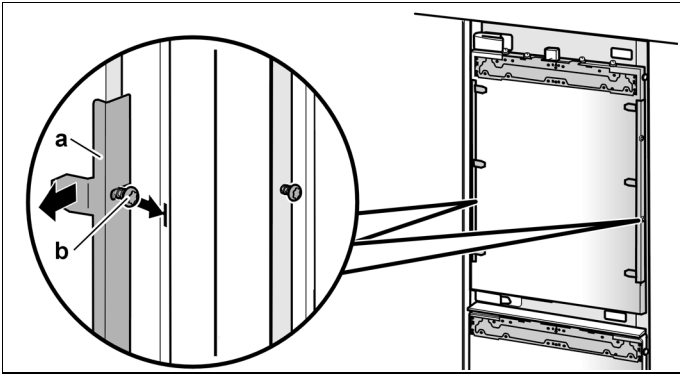


## 11. Fixation de la porte de meuble (compartiment réfrigérateur)

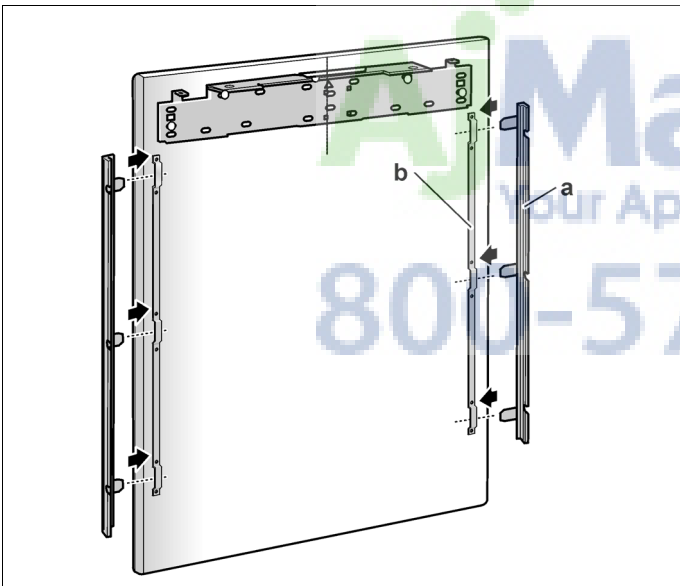
### Remarque:

Maintenant, fixez les poignées du meuble. Elles se vissent par l'arrière !

1. Retirez les brides de fixation (a) de la porte de l'appareil. Pour cela, dévissez uniquement les vis (b) des brides.

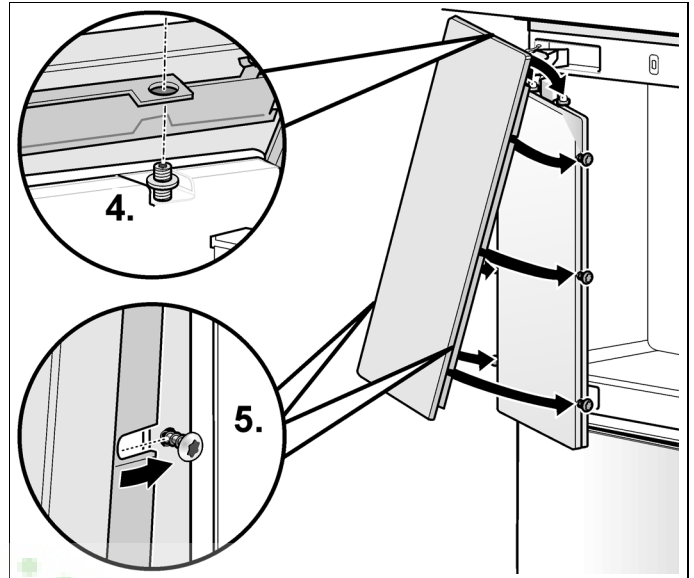


2. Insérez les brides de fixation (a), que vous venez de retirer, dans les profilés d'ajustage (b) sur le panneau de porte.

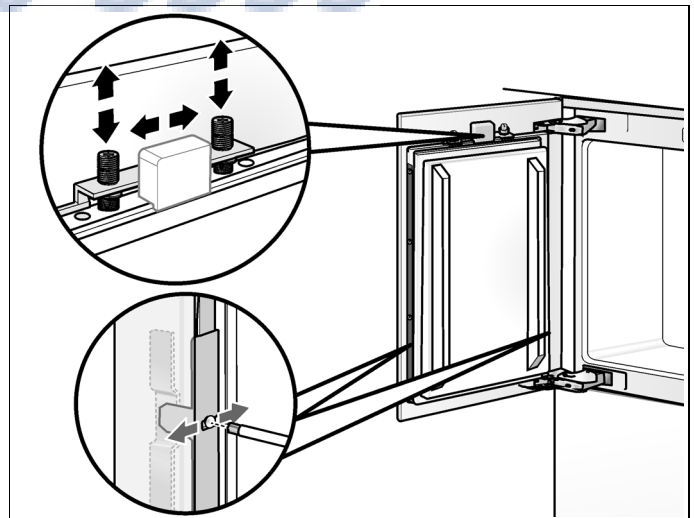


3. Ouvrez la porte de l'appareil.

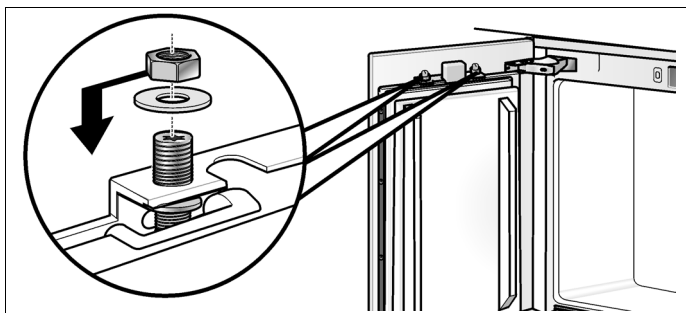
4. Accrochez la porte de meuble aux goujons filetés (1.).
5. Soulevez légèrement la porte du meuble et faites descendre la baguette de fixation sur les pattes de fixation (2.).



6. Alignez la porte du meuble à l'aide des goujons filetés (utilisez le tournevis Torx). Vérifiez l'interstice sur tout son périmètre.
7. Fermez la porte et vérifiez que la profondeur de la façade de meuble est alignée sur les façades adjacentes. Corrigez si nécessaire.
8. Serrez les vis des brides pour figer la profondeur d'alignement.
9. Refermez la porte et vérifiez l'alignement latéral. Corrigez en tapant légèrement avec la main sur le bord de la porte ouverte du meuble.



10. Serrez les écrous sur le rail d'ajustage. Cette action fige l'alignement latéral de la porte.

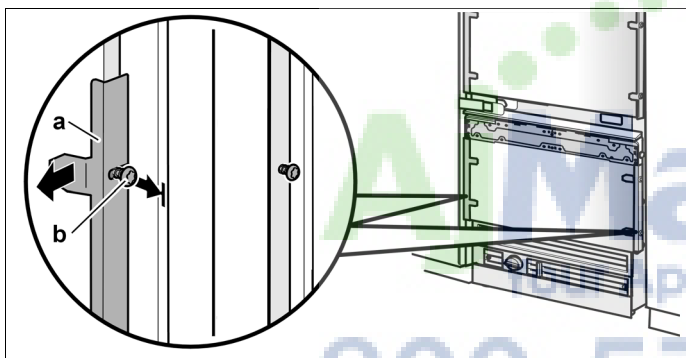


## 12. Fixation de la porte de meuble (compartiment congélateur)

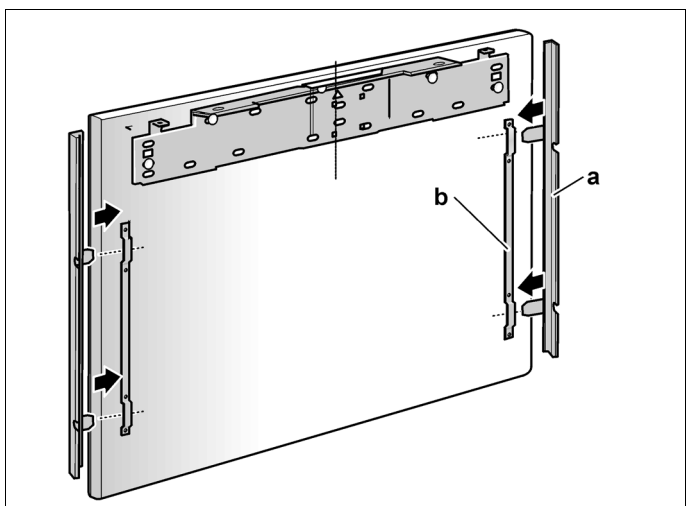
### Remarque:

Maintenant, fixez les poignées du meuble. Elles se vissent par l'arrière !

1. Retirez les brides de fixation (a) de la porte de l'appareil. Pour cela, dévissez uniquement les vis (b) des brides.

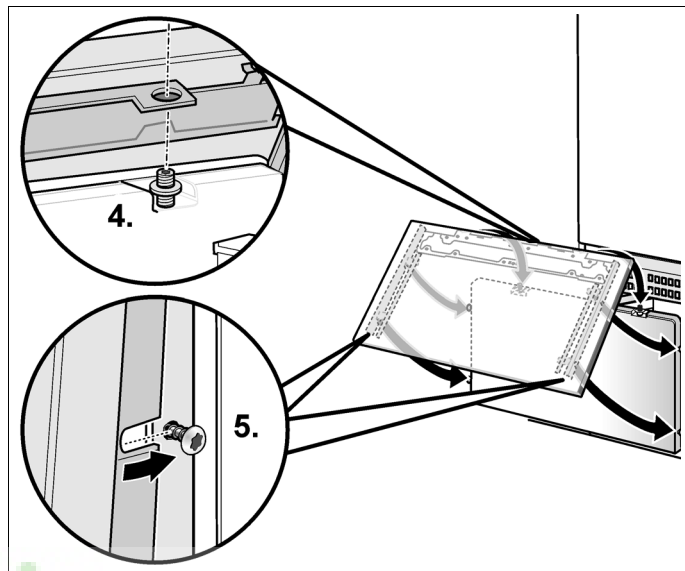


2. Insérez les brides de fixation (a), que vous venez de retirer, dans les profilés d'ajustage (b) sur le panneau de porte.

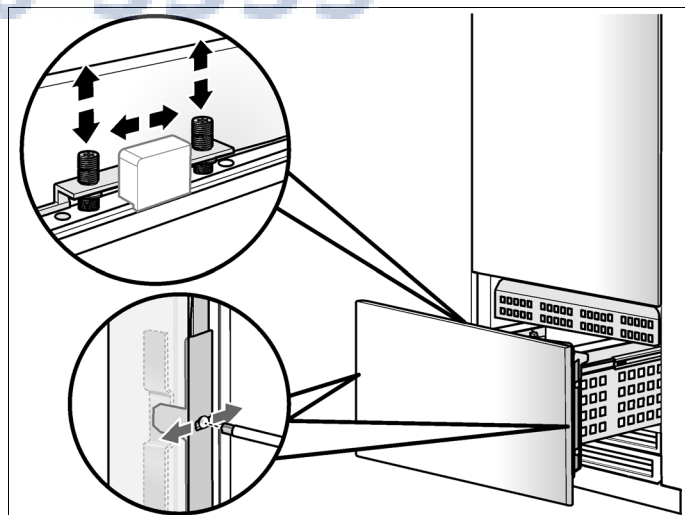


3. Ouvrez la porte de l'appareil.

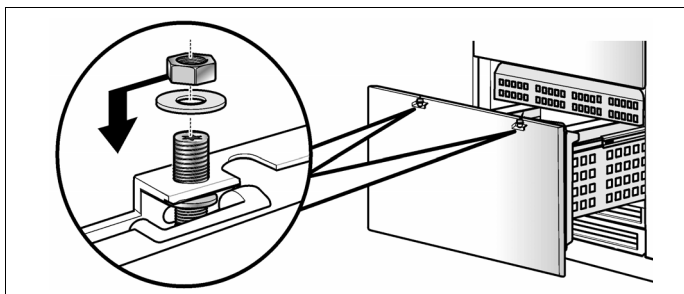
4. Accrochez la porte de meuble aux goujons filetés (1.).
5. Soulevez légèrement la porte du meuble et faites descendre la baguette de fixation sur les pattes de fixation (2.).



6. Alignez la porte du meuble à l'aide des goujons filetés (utilisez le tournevis Torx). Vérifiez l'interstice sur tout son périmètre.
7. Fermez la porte et vérifiez que la profondeur de la façade de meuble est alignée sur les façades adjacentes. Corrigez si nécessaire.
8. Serrez les vis des brides pour figer la profondeur d'alignement.
9. Refermez la porte et vérifiez l'alignement latéral. Corrigez en tapant légèrement avec la main sur le bord de la porte ouverte du meuble.



10. Serrez les écrous sur le rail d'ajustage. Cette action fige l'alignement latéral de la porte.



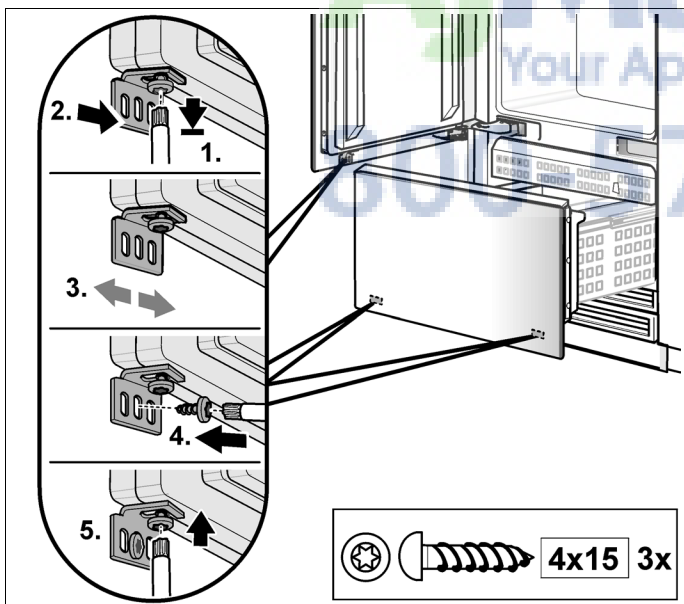
### 13. Fixation des brides inférieures

Les brides inférieures servent à bloquer la façade du meuble et empêcher un mouvement latéral.

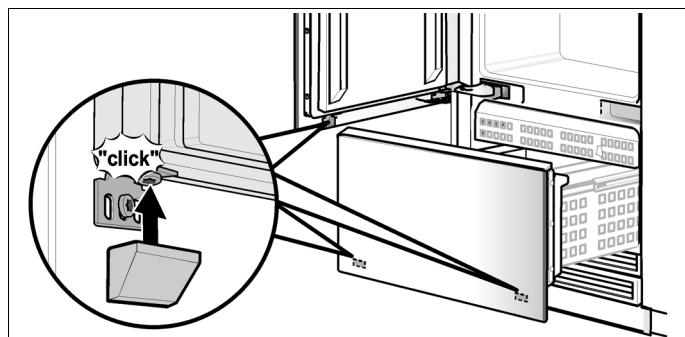
Le nombre de brides inférieures dépend de la largeur et de la conception de la porte du meuble.

Vissez les brides inférieures (elles se trouvent dans le kit d'accompagnement). Percez des trous préparatoires dans la porte du meuble !

1. Desserrez la vis.
2. Poussez la bride inférieure sur la vis.
3. Vérifiez la position latérale de la porte.
4. Vissez la vis à bois.
5. Serrez la vis.

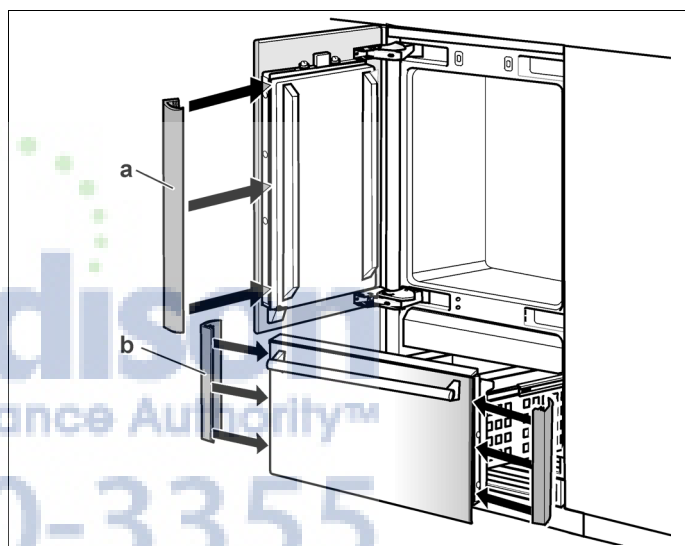


6. Fixez le couvercle sur les brides.

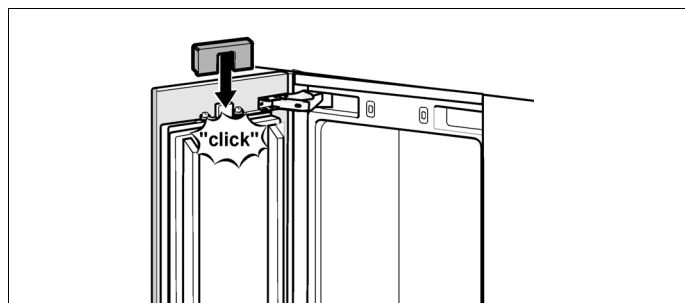


### 14. Fixation des couvercles

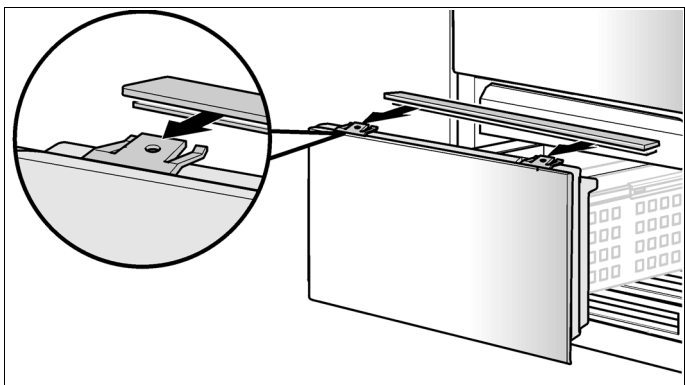
1. Fixez les baguettes couvercles (a) & (b) sur les deux côtés longitudinaux des portes et du tiroir du compartiment congélateur.



2. Placez les bandes couvercles contre la porte. Le couvercle de l'interrupteur d'éclairage peut se visser contre la porte.



3. Insérez la plaque supérieure sur la porte du compartiment réfrigérateur.

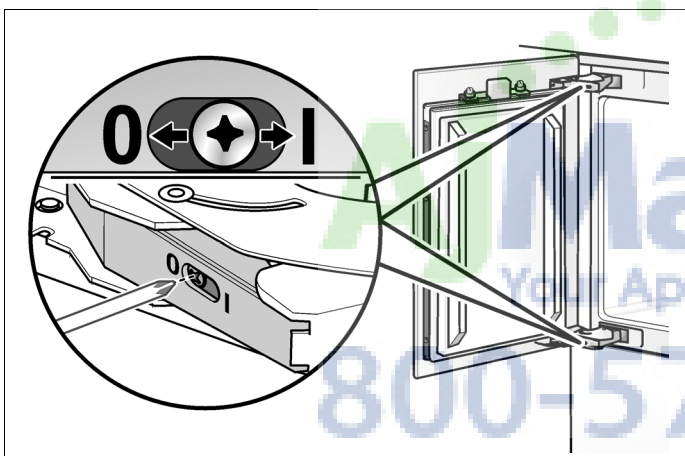


### 15. Changement du ressort de porte

Tournez la vis de réglage à l'aide d'un tournevis à empreinte cruciforme.

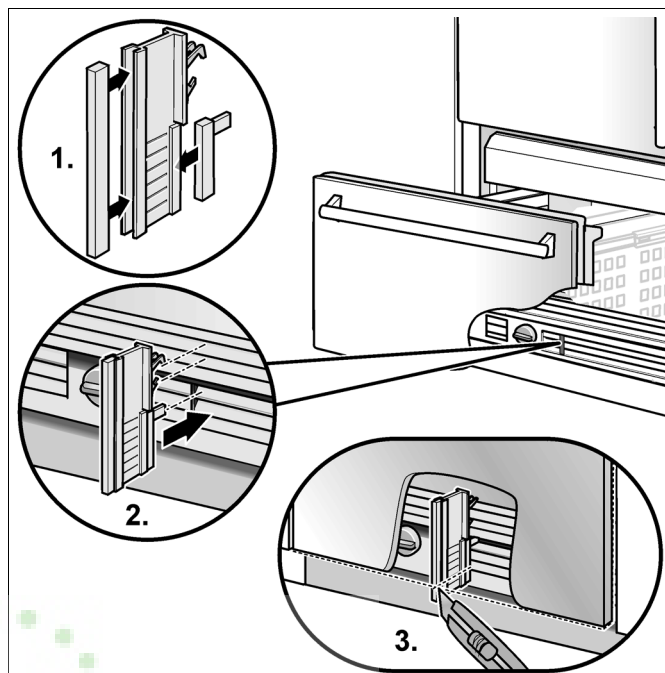
**I** = Plus forte tension possible du ressort

**0** = Pas de tension ressort



### 16. Montage du séparateur d'air

Montez le séparateur d'air contre la porte du meuble afin de séparer l'air entrant et l'air sortant.



Une étape de montage spéciale suit. Des instructions sont fournies au-delà de la section C.

■ Tige butée de porte, voir « Ajustage de l'angle d'ouverture de porte ».



**Avec cette opération prend fin l'incorporation de l'appareil.**

## Installation spéciale

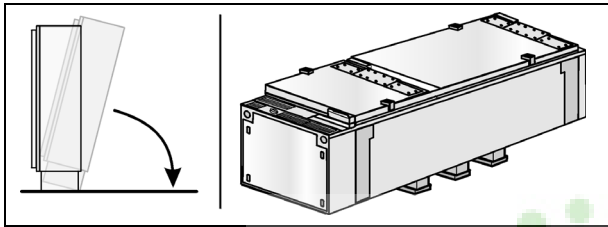
### Inversion du sens d'ouverture des portes

#### ⚠ AVERTISSEMENT

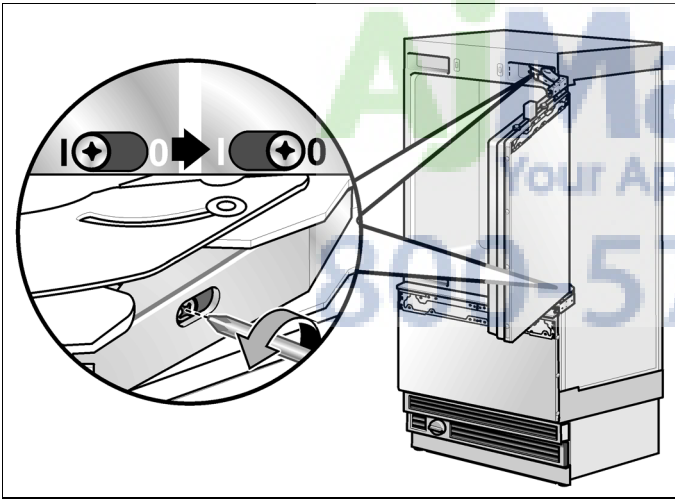
Risque de blessure !  
Avant de travailler sur les charnières, détendez le ressort.

#### Remarque:

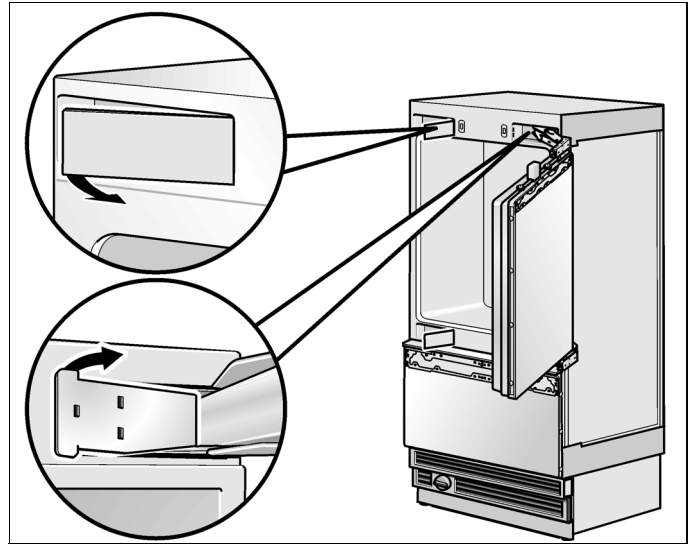
Changer le sens d'ouverture de porte est plus facile si l'appareil se trouve sur le dos au moment de cette opération (placez la palette dessous).



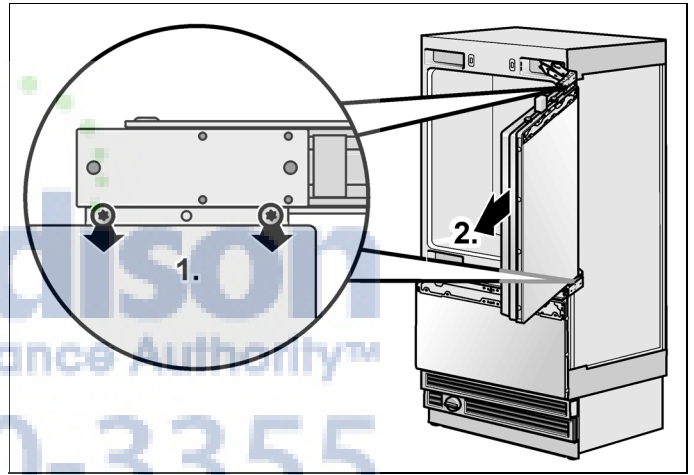
1. Détendez le ressort sur la charnière. Desserrez la vis en l'amenant de **I** à **0**.



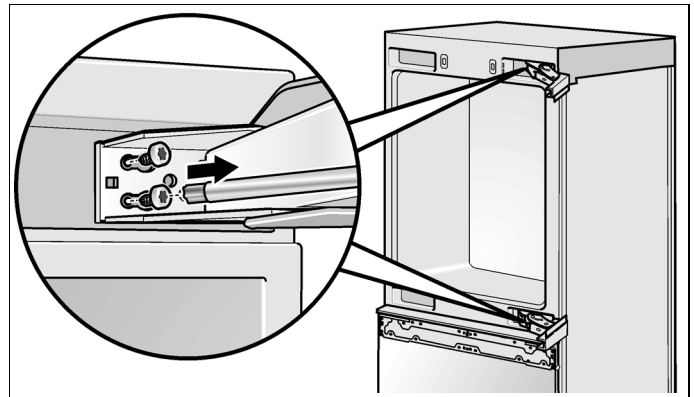
2. Enlevez les couvercles des charnières.



3. Dévissez (1.) puis retirez (2.) la porte.



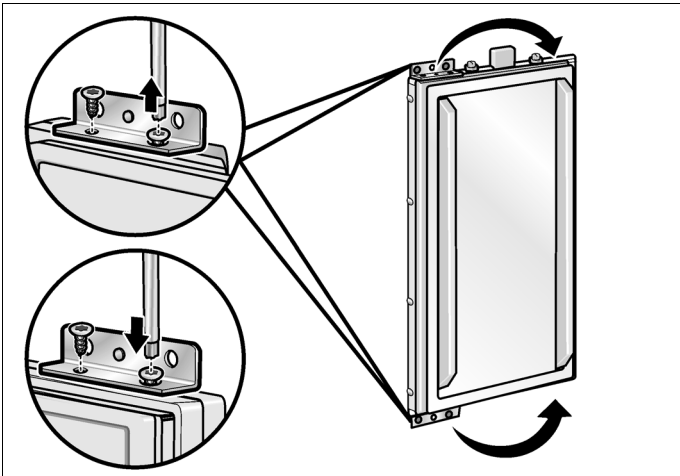
4. Enlevez les charnières.



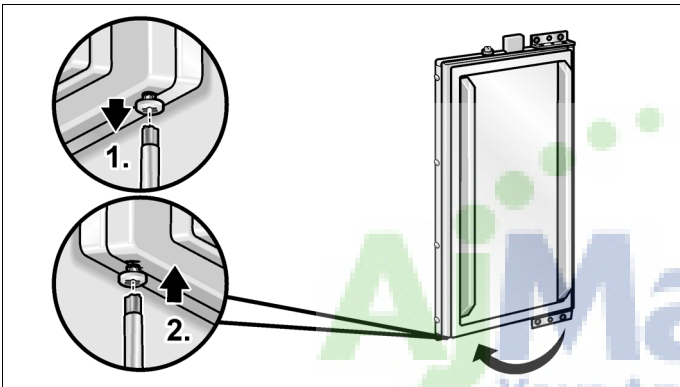




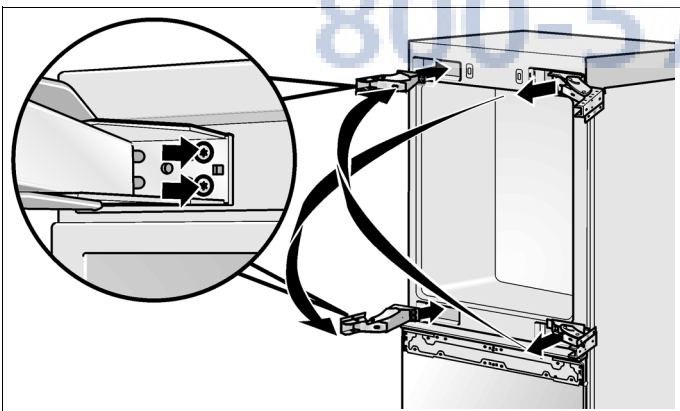
5. Transférez de l'autre côté les pièces de fixation situées contre la porte.



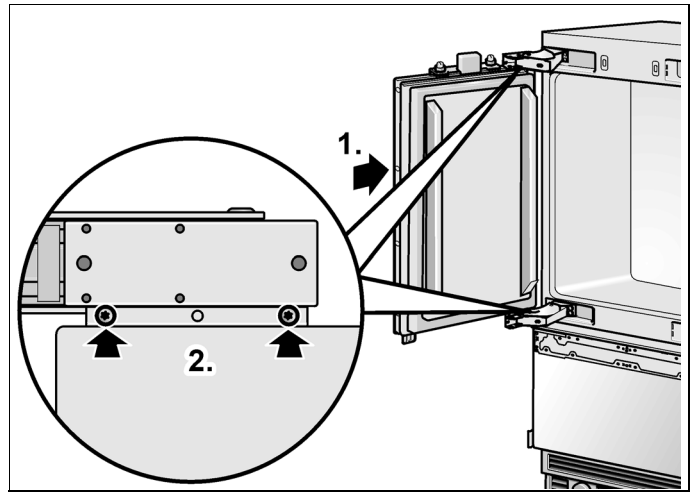
6. Change over the screw for the lower bracket.



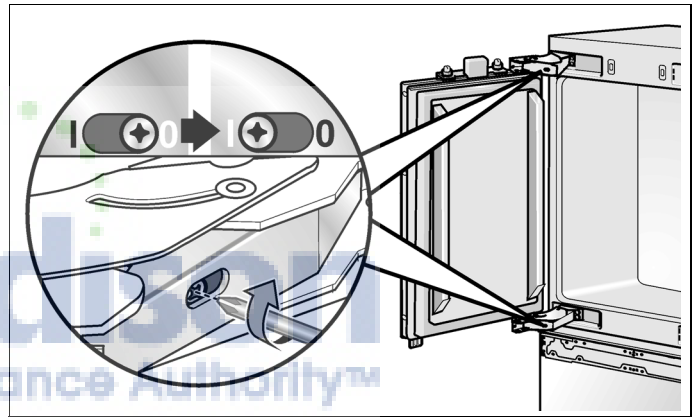
7. Fixez les charnières sur l'appareil. Permutez les charnières selon un ordre croisé !



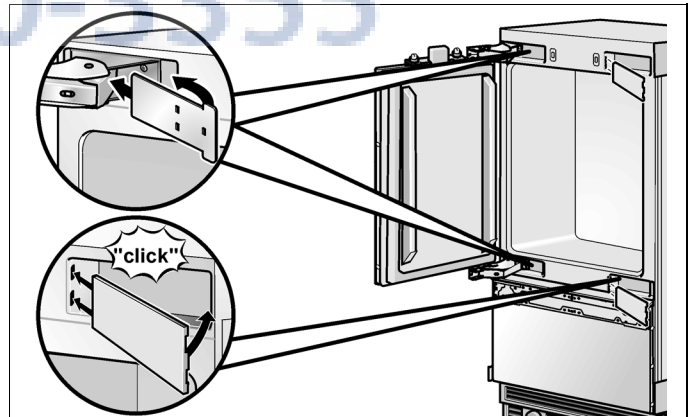
8. Vissez la porte contre les charnières.



9. Tendez le ressort de la charnière. Pour ce faire, amenez la vis de la position 0 sur la position I.



10. Fixez les couvercles des charnières.





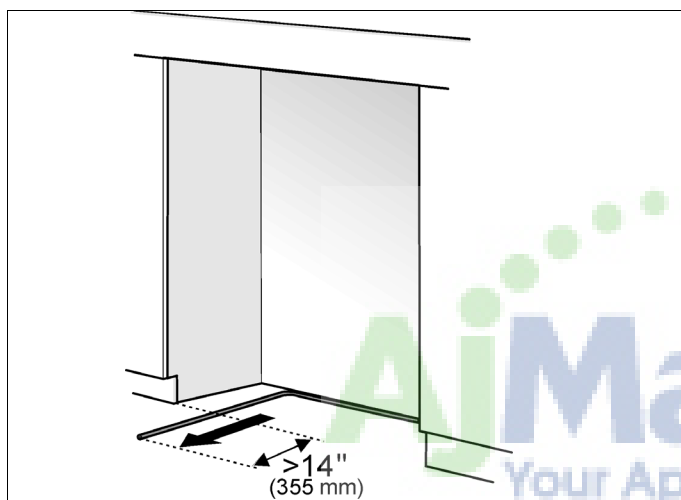
## Préparation du raccordement de l'eau

(seulement pour les appareils qui requièrent un raccordement à l'eau courante)

### Remarque:

Refermez le robinet d'eau principal pour empêcher que l'eau, en fuyant, ne provoque des dégâts.

1. Branchez la conduite de raccordement contre la vanne de fermeture en respectant les instructions fournies par le fabricant du kit destiné à l'installation du distributeur de glaçons.
2. Installez la conduite de raccordement. Respectez toujours les dimensions spécifiées pour l'espace libre, ceci pour empêcher d'endommager la conduite de raccordement lorsque vous poussez l'appareil.

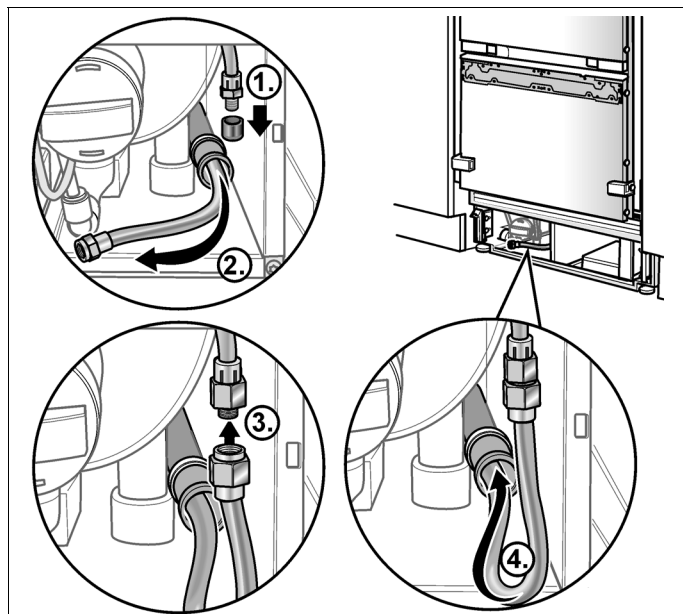


## Raccordement de l'eau à l'appareil

### Remarque:

Lorsque vous recourbez une conduite d'eau, ne la pliez pas, sinon il y a **risque que de l'eau fuie et provoque des dégâts**.

1. Retirez le capuchon du raccord (1.) de l'appareil.
2. Coudez la conduite conformément à l'emplacement du raccord sur l'appareil (2.).
3. Poussez l'écrou de jonction et le joint contre la conduite d'eau.
4. Poussez l'extrémité de la conduite d'eau dans le raccord de l'appareil et vissez l'écrou (3.). Serrez à fond mais à la main.
5. A l'aide d'une clé à fourche, serrez l'écrou de jonction. Veillez à ne pas serrer à l'excès !
6. Renforcez le flexible à eau le plus loin possible dans le tube de protection (4.).



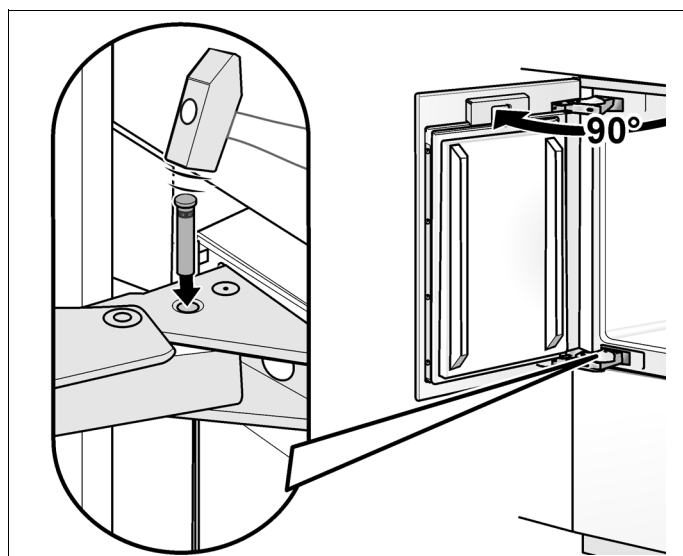
7. Ouvrez la vanne de fermeture et le robinet d'eau principal.
8. Vérifiez si le raccord de la vanne de fermeture et celui de l'appareil présentent des fuites.
9. Fermez la vanne de fermeture et le robinet d'eau principal.

## Ajustage de l'angle d'ouverture de porte

Suivant les conditions d'installation, il pourra être nécessaire d'ajuster l'angle d'ouverture de la porte. Un angle d'ouverture de 115° a été ajusté en usine.

Pour conférer à la porte un angle d'ouverture de 90° :

1. Ouvrez la porte à 90°.
2. Introduisez la tige de limitation à travers les deux alésages superposés puis enfoncez-la à l'aide d'un marteau.



# Índice

## INSTRUCCIONES IMPORTANTES DE SEGURIDAD

DE SEGURIDAD ..... 57

### Opciones de instalación ..... 58

Electrodoméstico individual ..... 58

Electrodomésticos individuales con separación . 58

Electrodoméstico individual en el final de las unidades de cocina ..... 58

### Installation ..... 59

Ambiente de emplazamiento ..... 59

Instalación estable ..... 59

Cavidad de instalación ..... 59

Muebles ..... 59

Base ..... 59

Alineación del electrodoméstico ..... 59

### Conexión a la red de alimentación ..... 60

Instrucciones de conexión a tierra ..... 60

Procedimiento de puesta a tierra adicional ..... 60

### Conexión del agua ..... 60

### Medidas de instalación ..... 61

### Accesorios y herramientas necesarias ..... 62

Accesorios que forman parte volumen de entrega 62

Accesorios opcionales ..... 62

Otros accesorios necesarios ..... 62

Otros ..... 62

Herramientas ..... 62

### Instrucciones de instalación ..... 63

1. Control de la cavidad para la instalación ..... 63

2. Desembalaje ..... 63

3. Transporte del electrodoméstico ..... 64

4. Preparativos para el montaje ..... 64

5. Instalación especial ..... 64



1. Colocación de los ángulos antivuelco ..... 65

2. Montaje de un dispositivo antivuelco adicional ..... 66

3. Protección de las esquinas ..... 66

4. Colocando el electrodoméstico en la cavidad de instalación ..... 67



1. Alineación del electrodoméstico en la cavidad de instalación ..... 68

2. Sujeción del electrodoméstico a la cavidad de instalación ..... 69



1. Sujeción del panel de protección .... 70

2. Alineación del panel de protección .. 70

3. Puesta en marcha del equipo ..... 71

4. Preparación de las puertas mueble .. 71

5. Carga admisible en la puerta electrodoméstico ..... 71

6. Quitar el elemento auxiliar para el posicionamiento ..... 71

7. Montaje del riel de ajuste en la puerta del mueble (compartimento frigorífico) ..... 72

8. Sujeción de los listones correspondientes al panel puerta (compartimento frigorífico) ..... 72

9. Montaje del riel de ajuste en la puerta del mueble (compartimento de congelación) ..... 73

10. Sujeción de los listones correspondientes al panel puerta (compartimento de congelación) ..... 74

11. Sujeción de la puerta del mueble (compartimento frigorífico) ..... 75

12. Sujeción de la puerta del mueble (compartimento de congelación) ..... 76

13. Montaje de los soportes inferiores .... 77

14. Montaje de las cubiertas ..... 77

15. Cambio del muelle de la puerta ..... 78

16. Montaje del separador de aire..... 78

### Special installation ..... 79



Cambiando las bisagras..... 79

Preparación para conectar el agua ..... 81

Conexión del agua al electrodoméstico ..... 81

Ajuste del ángulo de apertura de la puerta ..... 81



# INSTRUCCIONES IMPORTANTES DE SEGURIDAD

Las presentes instrucciones de montaje pretenden facilitar los trabajos de instalación y montaje de su nuevo aparato.

El fabricante, sin embargo, no incurre en responsabilidad alguno en caso de un montaje defectuoso o incorrecto. Por ello se aconseja encargar la instalación y puesta en funcionamiento del aparato a un técnico especialista del ramo.

El cumplimiento estricto de las indicaciones y observaciones que figuran en las presentes instrucciones de montaje son los requisitos indispensables para un montaje y puesta en funcionamiento seguros del aparato.

Guardar las instrucciones de montaje para un posible propietario posterior.

¡Léanse las presentes instrucciones de montaje detenidamente antes de proceder al montaje y la puesta en funcionamiento del aparato!

## ⚠ ¡AVISO!

La parte superior de este electrodoméstico es más pesada que la de abajo, por lo que se lo debe asegurar a fin de evitar que vuelque hacia delante.

Se requiere de una protección antivuelco.

Mantenga las puertas cerradas hasta que el electrodoméstico esté completamente instalado y asegurado según las instrucciones de instalación.

Debido al peso y las dimensiones del electrodoméstico y a fin de reducir el riesgo de lesiones personales o de daños al producto – SE REQUIERE DE DOS PERSONAS PARA UNA INSTALACIÓN ADECUADA.

Este electrodoméstico debe conectarse correctamente a tierra. Consulte la sección «Conexión a la red de alimentación».

Utilice el electrodoméstico exclusivamente para lo que ha sido previsto.

Repare o cambie inmediatamente los cables eléctricos si están gastados o dañados.

Desenchufe el electrodoméstico o desactive el fusible antes de limpiar o efectuar reparaciones.

## ⚠ ¡ATENCIÓN!

Una instalación adecuada de este electrodoméstico requiere de conocimientos específicos básicos en mecánica, carpintería y fontanería.

Fallos en el producto debido a una instalación inadecuada no está cubiertos por la garantía.

Consulte el manual del usuario por la información concerniente a la garantía.

## IMPORTANT

Guarde estas instrucciones para el uso del inspector local. Tenga en cuenta todas las disposiciones y ordenanzas gubernamentales.

**Nota para instalador** – Asegúrese de dejar estas instrucciones al usuario.

**Nota para el usuario** – Guarde estas instrucciones con su manual para el propietario.

## General

Las reparaciones debe efectuarlas un técnico calificado. Estas instrucciones de instalación se entienden para se usadas por instaladores calificados. Todas las conexiones de agua, alimentación eléctricas y conexión a tierra, deben cumplir con las prescripciones y ordenanzas locales y deben ser realizadas por personal con las licencias correspondientes si así se lo requiere. En ausencia de prescripciones locales:

- En los E.E.U.U., de acuerdo con el National Electric Code, ANSI/NFPA70 – última edición/ prescripciones municipales y/o locales.
- En Canadá, de acuerdo con el Canadian Electric Code C22.1 – última edición prescripciones municipales y/o locales.

## Definitions

### ⚠ ¡AVISO!

indica que existe peligro de lesiones graves y aún de muerte, que pueden ocurrir como resultado de la inobservancia de esta advertencia.

### ⚠ ATENCIÓN

indica que pueden producirse lesiones menores o daños que pueden ocurrir como resultado de la inobservancia de esta advertencia.

### Nota:

Este símbolo se utiliza para llamar la atención del usuario respecto de algo en particular.

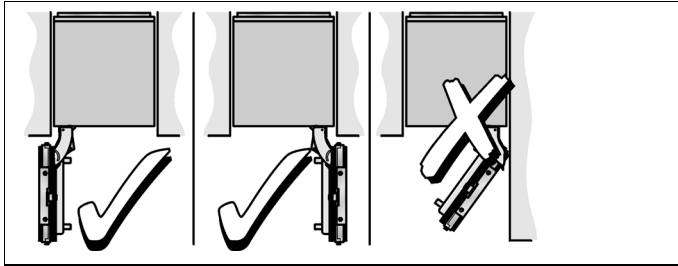
## Opciones de instalación

Existen diversas opciones de instalación.

Están limitadas exclusivamente por el diseño de la cocina y la función de la protección para los dedos.

Ver también «Breve referencia para diseño de cocina (Kitchen Design Quick Reference)».

## Electrodoméstico individual



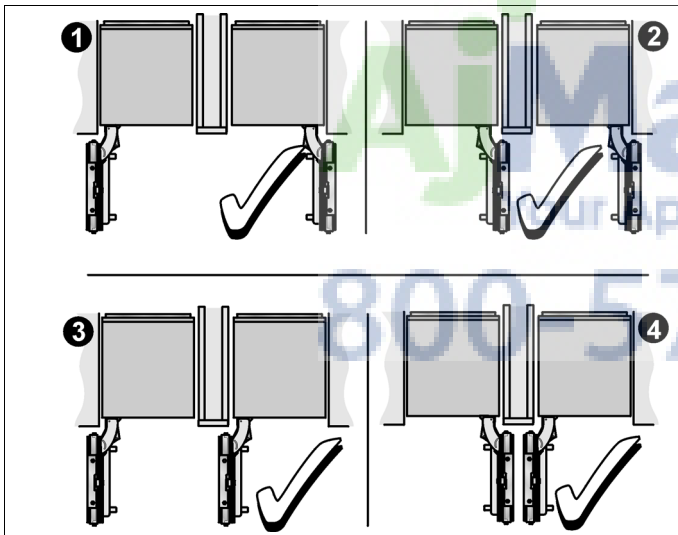
## Electrodoméstico individual en el final de las unidades de cocina

Si uno de los lados del electrodoméstico está a la vista, debe colocarse un panel lateral.

El panel lateral debe sujetarse firmemente en la pared, el piso y el mueble o adorno superpuesto antes de colocar el electrodoméstico en la cavidad.

Las dimensiones del panel lateral, deben tomarse en la pared opuesta de la cavidad. Controle durante la instalación que la cavidad esté a escuadra y que tenga las dimensiones adecuadas.

## Electrodomésticos individuales con separación



- Si dimensiona los espacios para el modelo 4, tenga en cuenta el espesor de los paneles frontales de los muebles, a fin de evitar daños si se abren las dos puertas simultáneamente.
- Utilice el Extreme Combination Heating kit (combinación y calentamiento) si el espacio entre los dos electro-domésticos es menor que 6" (160 mm). Consulte la sección «Accesorios opcionales».
- La separación mínima debe ser de  $\frac{5}{8}$ " (16 mm).

## Instalación

### **⚠ ADVERTENCIA:**

No instale el electrodoméstico:

- a la intemperie,
- en un sitio con presencia de agua,
- en ambientes a temperaturas inferiores a los 32 °F (0 °C).

El electrodoméstico es muy pesado.

Frigorífico combinado de 30" (762 mm):	Los pesos del equipo vacío aprox. 430 lbs/195 kg
--	--

## Ambiente de emplazamiento

El electrodoméstico debe instalarse en un ambiente seco y bien ventilado.

La temperatura del ambiente no debe descender de los 55 °F (13 °C) o aumentar más allá de los 110 °F (43°C). De lo contrario puede no funcionar correctamente.

El lugar de emplazamiento no debe estar expuesto a la luz solar directa, ni cerca de una fuente de calor como una estufa, radiador, etc.

Si es inevitable instalarlo cerca de una fuente de calor, utilice una placa aislante adecuada o asegure una distancia mínima respecto de la fuente de calor:

- 1 1/4" (30 mm) de un horno eléctrico,
- 12" (300 mm) de un horno a combustible seco.

## Instalación estable

El electrodoméstico es muy pesado y presenta la tendencia de volcar hacia adelante cuando se abre la puerta del mismo.

No abrir la puerta hasta tanto el electrodoméstico no pueda volcar más.

La manera más segura de instalar el electrodoméstico en una posición estable, es utilizando los elementos antivuelco que forman parte del volumen de entrega.

Si el sitio de instalación es suficientemente estable y el electrodoméstico puede asegurarse firmemente en las paredes laterales y superior, se logra una mayor estabilidad del mismo. ¡Es una condición previa, que el encerramiento de instalación presente una sujeción firme en la pared posterior!

Si tiene dudas, consulte a un arquitecto o experto en construcción.

## Cavidad de instalación

### **Nota:**

Se recomienda insistentemente que la pared superior de la cavidad sea de material sólido con un espesor mínimo de 5/8" (16 mm). Si por alguna razón, se construye un gabinete especial para la cavidad, debe asegurarse que el espacio libre detrás del electrodoméstico sea de un mínimo de 4" (100 mm) de profundidad.

Es importante observar las dimensiones especificadas para la cavidad de instalación a fin de garantizar una instalación del electrodoméstico sin problemas y para una vista general adecuada del mueble.

Controle particularmente que la cavidad esté a escuadra.

Esto puede controlarse con herramientas adecuadas, como un nivel de agua, mediciones en diagonal, etc.

## Muebles

El electrodoméstico debe atornillarse firmemente a los muebles o adornos adyacentes y superpuestos. A tal fin es esencial que todos los muebles o adornos estén firmemente sujetos al suelo o las paredes con medios adecuados.

## Base

### **⚠ ADVERTENCIA:**

Un electrodoméstico plenamente cargado es muy pesado. Consulte la tabla siguiente para la carga total requerida de la base:

Frigorífico combinado de 30" (762 mm):	Los pesos del equipo plenamente cargado aprox. 930 lbs/420 kg
--	---

Para asegurar que el electrodoméstico esté firmemente montado y funcione correctamente, la base de apoyo debe ser plana y horizontal.

La base debe ser de material duro y rígido.

La zona de instalación deben presentar la misma altura que el resto del ambiente.

Para dar cuenta del elevado peso del electrodoméstico plenamente cargado, se requiere que la base resista la carga en cuestión. Si tiene dudas, consulte a un arquitecto o experto en construcción.

## Alineación del electrodoméstico

A fin de que el electrodoméstico funcione correctamente, debe estar adecuadamente nivelado.

Si así no fuere, puede salir agua del equipo de producción de hielo, los cubitos de hielo pueden presentar una forma irregular o bien las puertas no cierran correctamente.



## Conexión a la red de alimentación

### ⚠ ¡AVISO!

#### Peligro de descargas eléctricas

- ¡Evite el peligro de una descarga eléctrica!
- Conectar a un tomacorrientes tripolar con toma de tierra. Nunca eliminar la toma de tierra. No utilizar adaptadores. No utilizar cables de prolongación.
- Un fallo en la ejecución de estas determinaciones, pueden ser causa de la muerte, incendios o descargas eléctricas. En caso de una conexión incorrecta del conductor de protección, pueden producirse descargas eléctricas. Haga controlar el equipo por un electricista calificado o por un técnico del servicio técnico, si existen dudas respecto de la correcta conexión a tierra del equipo.

La toma de corriente tiene que estar situada en las proximidades del aparato y ser libremente accesible tras su instalación. El aparato corresponde al tipo de protección I.

Conectar el aparato a una red de 115 V/60 Hz de corriente monofásica (corriente alterna) a través de una toma de corriente instalada correctamente y provista de conductor de protección. La toma de corriente debe estar protegida con un fusible de 10–16 amperios.

El equipo se entrega con un conductor de conexión a la red registrado en UL de 3 conductores.

El equipo requiere de un tomacorrientes de 3 polos.

Favor de tener en cuenta la tabla siguiente en combinación con este aspecto:

Electrodoméstico	Carga simultánea máxima
Frigorífico combinado de 30" (762 mm)	6.0 Amper

Controlar que las indicaciones contenidas en la chapa de características concuerden con la tensión y el tipo de corriente de su red en cuanto a sus valores. La ubicación de la chapa de características se encuentra en el capítulo de servicio a clientes.

### ⚠ ¡AVISO!

El aparato no se podrá conectar en ningún caso a conectores electrónicos para ahorro energético. Nuestros aparatos se pueden conectar a rectificadores de corriente por onda sinusoidal o conmutados por red. Los rectificadores conmutados por red se emplean en las instalaciones fotovoltaicas conectadas directamente a la red pública de abastecimiento de corriente eléctrica.

Para aplicaciones aisladas, como por ejemplo en buques o albergues de montaña que no disponen de conexión a la red eléctrica, tienen que emplearse rectificadores de onda sinusoidal.

## Conexión del agua

### ⚠ ATENCIÓN

Acoplar el aparato a una tubería de alimentación de agua potable.

La conexión a la red de agua sólo puede ser efectuada por un fontanero especialista, de conformidad a las normas y disposiciones de la empresa local de abastecimiento de agua.

El funcionamiento del dispensador automático de hielo requiere la conexión a una tubería de alimentación de agua fría. La presión de la red de agua deberá ser de 25 a 120 p.s.i. (1,72 a 8,25 bares). La instalación deberá cumplir las normas y disposiciones locales sobre fontanería.

En la tubería de alimentación de agua fría deberá montarse un dispositivo (válvula) de bloqueo antirretorno. A válvula de bloqueo no deberá estar situada detrás del aparato. Se aconseja situar la válvula de bloqueo bien junto al aparato, bien en cualquier otro lugar perfecta y libremente accesible. Al realizar la instalación de la conexión a la red de agua deberán observarse las medidas y cotas de instalación prescritas.

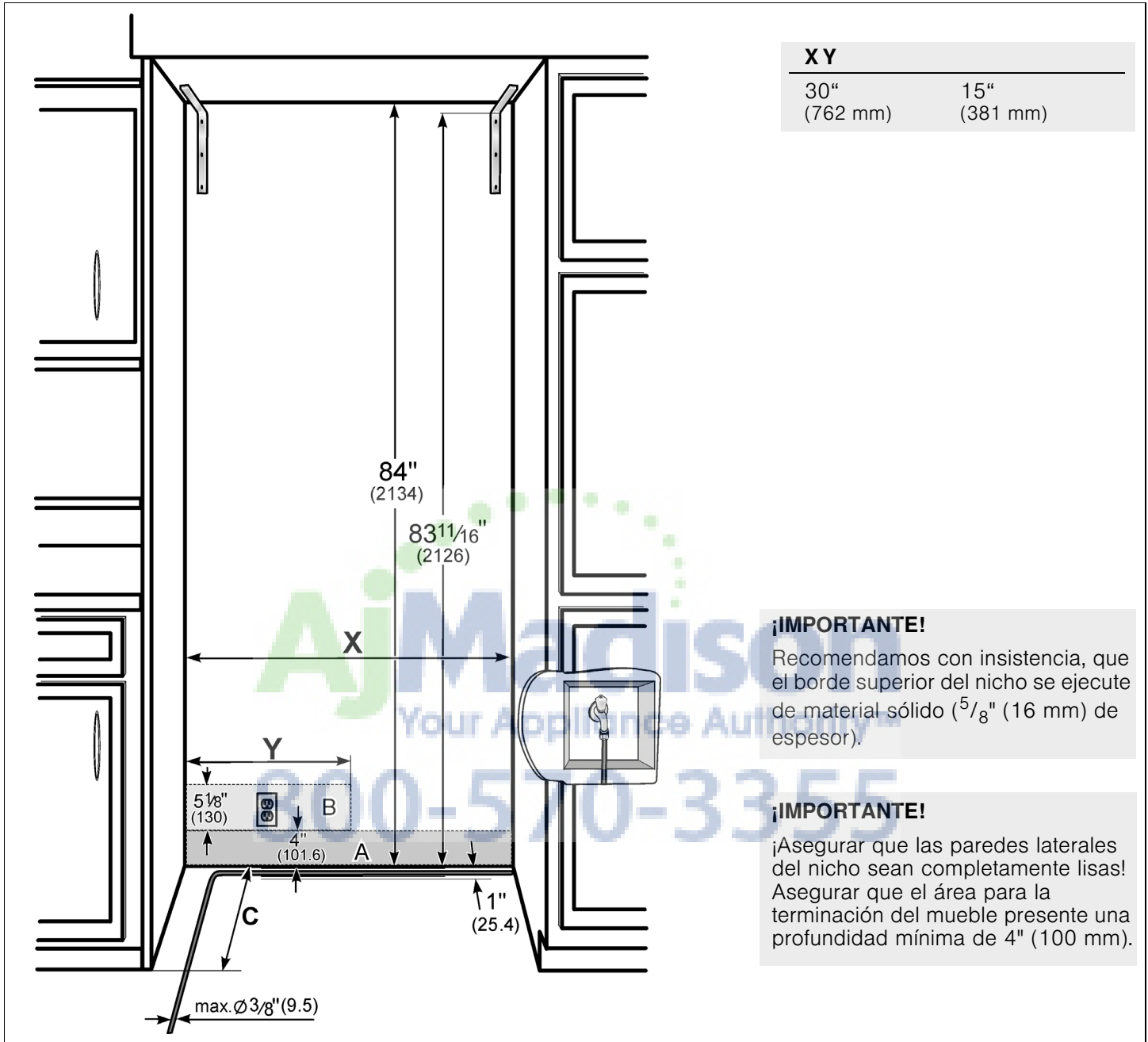
Para la conexión del aparato a la red pública de agua potable sólo se podrán utilizar las tuberías específicas aptas para la red de agua potable, debiéndose observar estrictamente las normas nacionales vigentes, así como las disposiciones de la empresa local de abastecimiento de agua.

Al realizar la instalación de la conexión a la red de agua deberán observarse las medidas y cotas de instalación prescritas. Más detalles a este respecto figuran en el capítulo « Medidas de instalación ».

El diámetro exterior máximo admisible de la tubería de agua (sin elementos de unión) es de  $\frac{3}{8}$ " (9,5 mm).



## Medidas de instalación



### Leyenda:

A Zona para la instalación de la conexión de agua.

Recomendamos que el depósito de agua se instale al lado abertura de instalación, por razones de servicio, de modo que pueda accederse al mismo sin desinstalar el electrodoméstico. Si no fuera posible, colocar el depósito de agua en la zona sombreada.

B Zona para la conexión a la red de potencia.

C Altura de la abertura, según el diseño de la cocina.

C = 24" (610 mm) como mínimo

## Accesorios y herramientas necesarias

### Accesorios que forman parte volumen de entrega

- Instrucciones para el montaje
- Instrucciones de funcionamiento
- Juego de instalación

### Accesorios opcionales

#### Combinación y calentamiento XHEATKIT10

Si el espacio entre los electrodomésticos es menor que 6" (160 mm).

### Otros accesorios necesarios

#### Juego para la instalación de un generador de hielo con línea de 1/4" de cobre

Para electrodomésticos que requieren agua. P. ej. para un generador de hielo.

### Otros

- Escalera
- Carro de mano
- Perforadora para practicar orificios en paredes o pisos
- Bits de diferentes tamaños y materiales
- Viguetas de madera (sección transversal mínima de 3" x 4") como protección alternativa contra vuelcos, de longitud adecuada al ancho de la cavidad.
- Tornillos de madera de diferentes tamaños
- Material delgado, adecuado para evitar daños en el piso (p. ej. linóleo)
- Material adecuado para cubrir y proteger los muebles (p. ej. láminas de protección)
- Cinta adhesiva

#### Nota:

Verificar antes de usar la cinta adhesiva si ésta deja restos de adhesivo en las superficies de los componentes. En caso de que así fuera, no deberá usarse en aparatos con superficies delicadas y de alta calidad.

## Herramientas



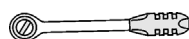
Destornillador a batería



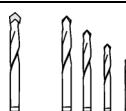
Bit tipo Torx T20 y T30 + un soporte magnético



Destornillador tipo Torx T20



Destornillador de ranura en cruz 5/16" (8 mm)



Brocas para madera de diversas medidas



Llave de boca 1/2" (13 mm)



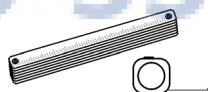
Pinza universal



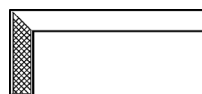
Llave ajustable



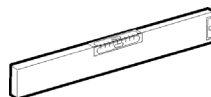
Cuchilla de hoja ajustable



Regla metálica, cinta métrica



Escuadra



Nivel de agua de 2' (60 cm) y 4' (1,2 m)

## Instrucciones de instalación

Las instrucciones de montaje siguientes describen los pasos a seguir para el montaje de los diferentes tipos de equipos.

Por ello puede ocurrir que las representaciones en las figuras diverjan de la realidad.

Se advierte especialmente respecto de pasos de montaje especiales para tipos de equipos individuales.

### 1. Control de la cavidad para la instalación

#### ⚠ ATENCIÓN:

Utilizar la lista de control siguiente a fin de proceder a una instalación sin problemas:

1. Controle la base.

Siga las instrucciones de la sección «Emplazamiento de instalación».

2. Controle las medidas de la cavidad.
3. Controle que la cavidad esté a escuadra.
4. Controle la ubicación del tomacorriente.

Siga las instrucciones de la sección «Conexión a la red de alimentación» y la sección «Medidas de instalación».

5. Controle la ubicación de la conexión del agua (únicamente en caso de electrodomésticos con generador de hielo).

Siga las instrucciones de la sección «Conexión del agua».

6. Controle la sujeción de los muebles o adornos adyacentes. Todos los muebles en las cercanías del electrodoméstico deben estar firmemente sujetos a las paredes.
7. Controle que los muebles o adornos adyacentes no colisionen (ángulo de apertura de las puertas).

### 2. Desembalaje

#### ⚠ ADVERTENCIA:

Sea cuidadoso, de otra manera puede lesionarse la gente que le ayuda, o puede dañarse el electrodoméstico.

- El electrodoméstico puede volcar mientras se lo desembala o si se abren las puertas del mismo.
- El electrodoméstico es extremadamente pesado.

#### Nota:

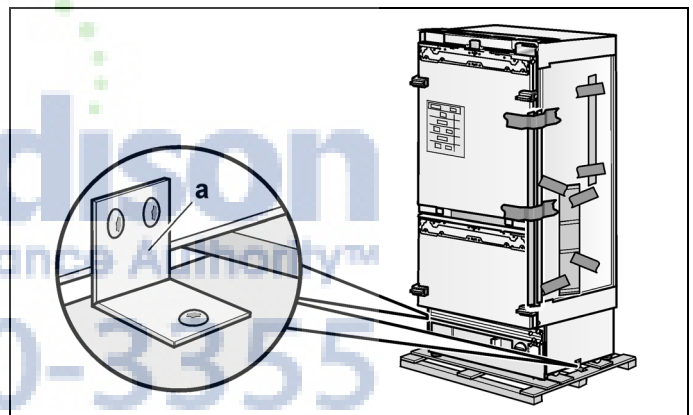
Controle si el electrodoméstico presenta daños de transporte. No instale el electrodoméstico si presenta daños visibles. En caso de dudas, consulte con su vendedor.

Para proteger la base de daños durante la instalación:

1. Quite el cartón. Utilice la cuchilla con cuidado para no rayar el electrodoméstico.
2. Colocar la placa de cartón o madera del embalaje debajo del electrodoméstico.
3. Retirar los accesorios sujetos al cuerpo exterior del aparato.

Guardar las tiras adhesivas de los accesorios sujetos al aparato. Servirán posteriormente para fijar las protecciones de los bordes en las paredes del hueco de montaje (véase el capítulo "A / 3. Protección de las esquinas").

4. Soltar los seguros de transporte (a) y retirar el aparato del palet de transporte, alzándolo a tal efecto – ¡prestar atención al elevado peso del aparato!



5. Abrir las puertas del aparato cuidadosamente – ¡existe peligro de vuelco! – y retirar los accesorios y el material de montaje de su interior. Cerrar la puerta.

#### Nota:

No retirar los seguros de transporte de las bandejas y cajones del aparato sólo una vez que se ha instalado éste en su emplazamiento definitivo, de lo contrario podrían sufrir daños.

### 3. Transporte del electrodoméstico

#### ⚠️ ADVERTENCIA:

Por ello debe tenerse especial cuidado, ya que eventuales colaboradores pueden verse lesionados o el equipo puede sufrir daños. El equipo es muy pesado.

El equipo presenta una altura de  $83\frac{1}{8}$ " (2126 mm). Si no se puede transportar el equipo en posición vertical, debido a las características constructivas del sitio, puede transportárselo acostado.

#### Nota:

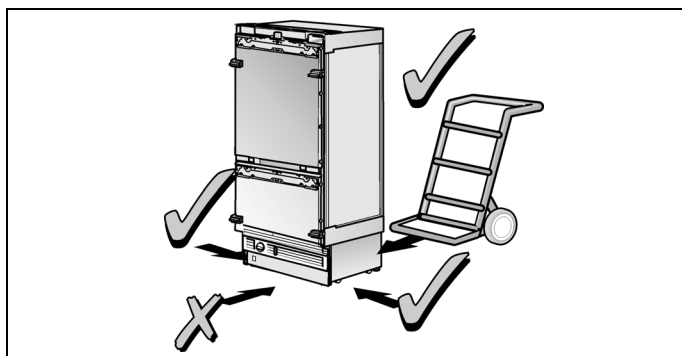
¡No erigir el electrodoméstico sujetándolo de las paredes laterales! Existe riesgo de daños en el electrodoméstico.

Tener en cuenta la altura mínima necesaria en el sitio de emplazamiento cuando se quiere parar el equipo, siguiendo los datos de la tabla siguiente:

Parar el equipo por la pared posterior	Parar el equipo por la pared lateral
	
La altura mínima 86"/2185 mm	¡No erigir el electro-doméstico sujetandolo de las paredes laterales!

#### Nota:

Aplicar la carretilla de transporte siempre en el centro de la parte posterior del aparato. ¡No aplicarla nunca en la parte frontal o en uno de los laterales!  
¡El aparato puede sufrir daños o desperfectos!

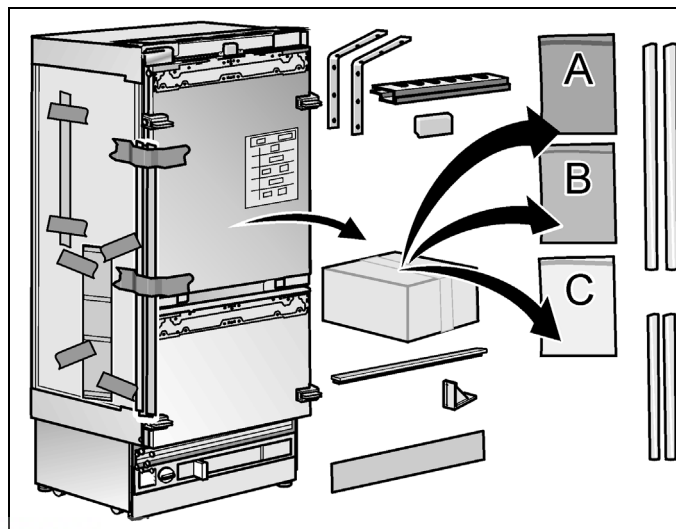


1. Transportar el equipo con elementos de transporte adecuados al sitio de emplazamiento y al equipo mismo (carretilla para sacos, elevador a horquillas o carro).
2. Asegurar el electrodoméstico para que no pueda volcarse durante el transporte.

### 4. Preparativos para el montaje

Desembalar el material de montaje y los accesorios.

A fin de simplificar la instalación, el embalaje se identifica mediante etiquetas A, B y C, correspondientemente a las secciones del manual.



### 5. Instalación especial

El siguiente símbolo indica que deben cumplimentarse pasos adicionales antes de pasar al capítulo siguiente.

Los pasos de instalación especiales se describen después de la sección C.



■ Por el cambio de la bisagra de la puerta superior, ver «Cambiando las bisagras».

■ Por la conexión del agua, ver «Preparación para conectar el agua» an «Conexión del agua al electrodoméstico».

■ Por el tope para la puerta, ver «Ajuste del ángulo de apertura de la puerta».

# 1. Colocación de los ángulos antivuelco

**⚠ ADVERTENCIA:**

¡Existe peligro de lesiones y daños! Asegure que no existan cables eléctricos o tuberías en las zonas donde deben penetrar los tornillos.

**⚠ ATENCIÓN:**

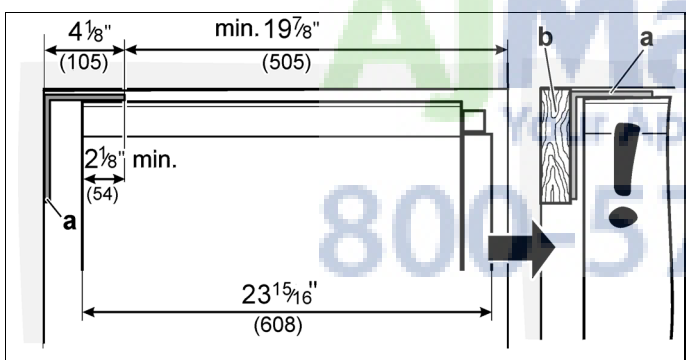
¡Peligro de lesiones! Utilice siempre gafas y otros dispositivos de protección cuando instala o trabaja con tarugos.

**Nota:**

- Se requiere de dos ángulos antivuelco para cada electrodoméstico.
- El juego suministrado comprende diversos tronillos para diferentes instalaciones. Seleccione los tornillos de acuerdo a las condiciones.

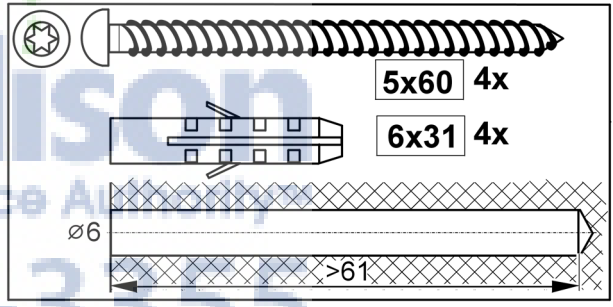
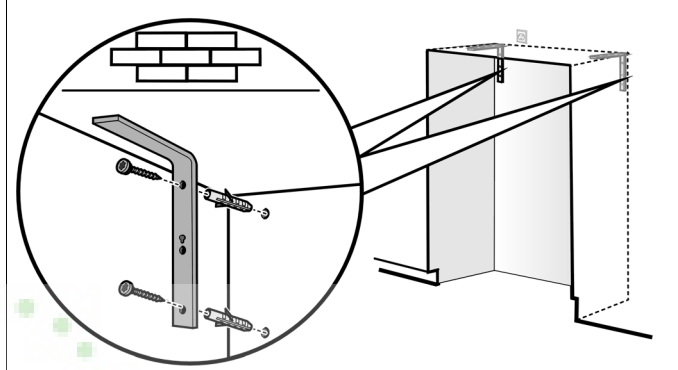
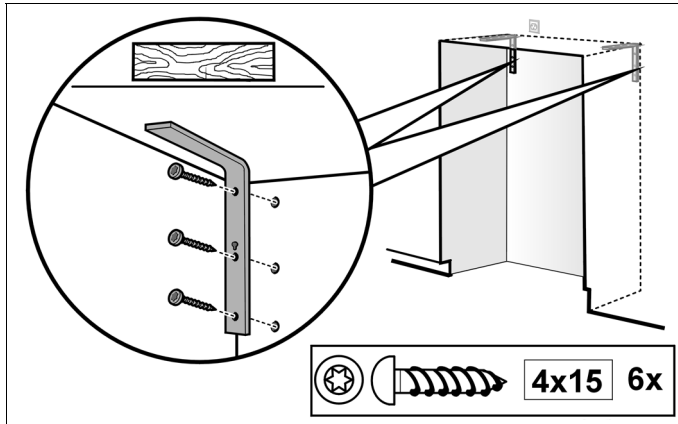
Los ángulos antivuelco (a) deben presentar una longitud mínima sobre el electrodoméstico de 2 1/8" (54 mm) a fin de asegurar un emplazamiento seguro del equipo.

Si no se puede dar cumplimiento a esta longitud mínima debido a condiciones estructurales, puede lograrse ésto, sujetando un espaciador detrás (b) del ángulo antivuelco, es decir un trozo de madera de dimensiones suficientes.



¡La longitud de la madera debe estar de acuerdo con el ancho del espacio disponible para la instalación!

1. Determine los puntos de sujeción para los ángulos antivuelco.  
Determine las medidas en detalle, consultando la sección «Medidas de instalación».
2. Sujete completamente los ángulos antivuelco.  
Asegúrese que los tornillos estén firmes.



**Notas importantes para la sujeción mediante tarugos**

- No recomendado par ser usado en material de mampostería liviana como bloques y ladrillos.
- No recomendado para ser usado en cemento fresco que no ha tenido tiempo de fraguar.

## 2. Montaje de un dispositivo antivuelco adicional

### Importante:

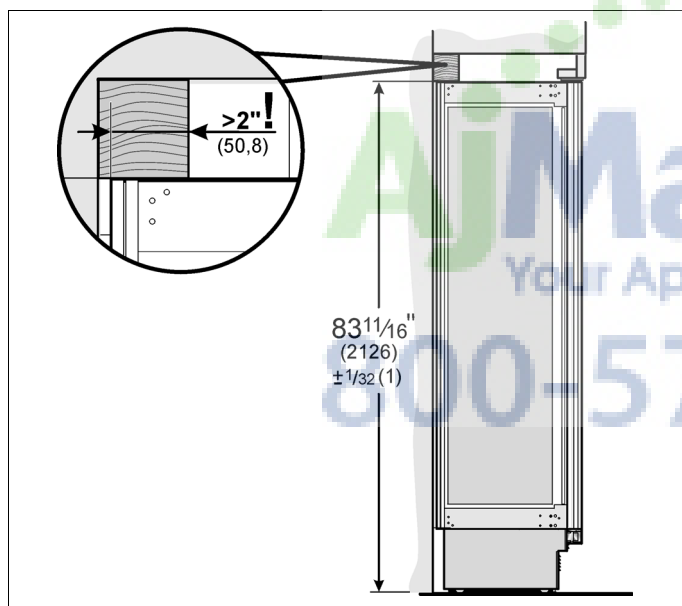
Si no se pueden montar los soportes antivuelco con la firmeza requerida, puede montarse un dispositivo antivuelco alternativo. Sin embargo, debe asegurarse, de que no exista juego entre el electrodoméstico y el dispositivo antivuelco. Si es posible, atornille las viguetas de madera sobre monturas ya existentes en la pared de la cavidad.

1. Corte la vigueta de madera (sección transversal min. 3" x 4") a la longitud requerida.

¡La longitud debe ser igual a la anchura de la cavidad de instalación!

### Nota:

- Si la cavidad de instalación es más profunda que el electrodoméstico, selecciones una vigueta que presente una sección transversal mayor, o monte dos viguetas.
- La vigueta debe exceder el electrodoméstico en un mínimo de 2" (50.8 mm)



2. Marque la altura de instalación (esquina inferior de la madera) sobre el panel posterior de la cavidad.
3. Seleccione los tornillos de acuerdo al espesor de la vigueta de madera: longitud = mín. 2,5 x el espesor de la vigueta, diámetro # 12 o # 14.

### Nota:

Especifique la cantidad de tornillos, de acuerdo al ancho de la cavidad, asegurando que la vigueta quede montada firmemente.

4. Según el tipo de piso:

Ubique la pared vertical cerca de la pared posterior de la cavidad y marque las perforaciones en la vigueta.

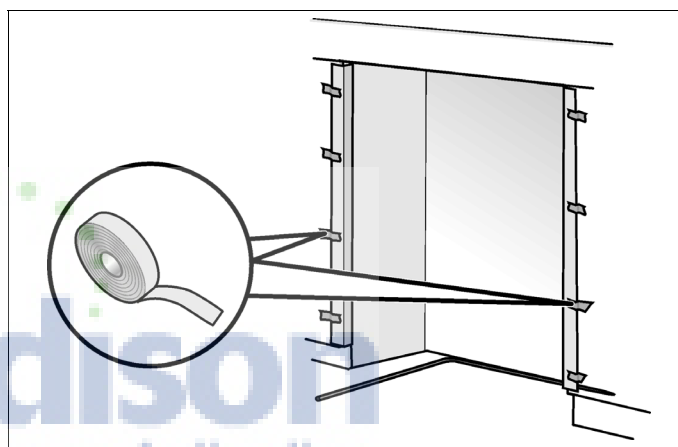
o

Fijar unos tacos adecuados en el panel posterior del hueco de montaje.

5. Perfore previamente la vigueta de madera.
6. Sujete la vigueta de madera en la pared posterior de la cavidad.

## 3. Protección de las esquinas

A fin de proteger las esquinas del encerramiento de instalación, es recomendable colocar protección confeccionadas de un material adecuado.



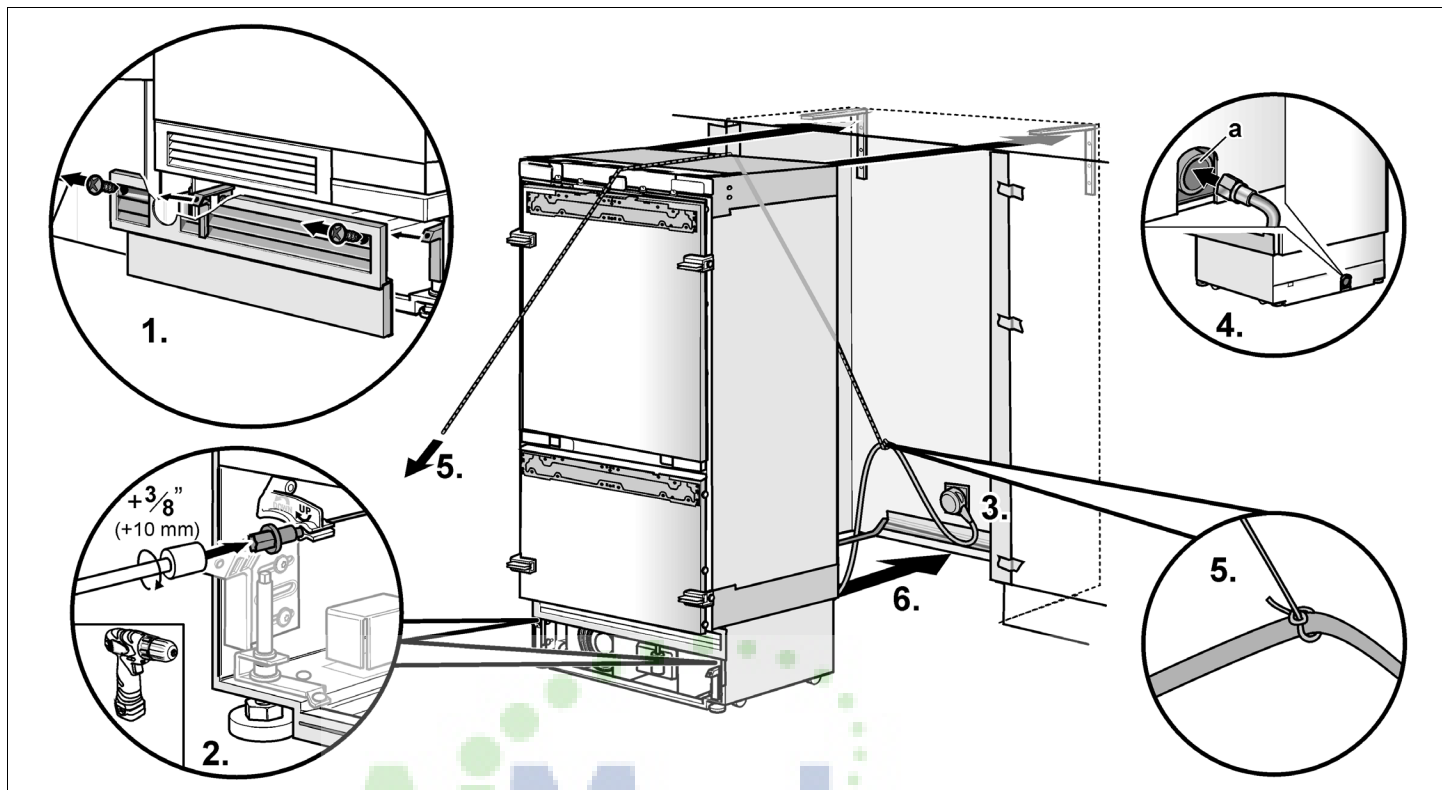
A continuación se detallan los pasos de instalación especiales.

Las instrucciones del caso se dan después de la sección C.

- Por el cambio de la bisagra de la puerta superior, ver «Cambiando las bisagras».
- Por la conexión del agua, ver «Preparación para conectar el agua».



## 4. Colocando el electrodoméstico en la cavidad de instalación

**A**

### ⚠ ATENCIÓN:

Tenga cuidado al empujar el electrodoméstico al interior de la cavidad. No dañe la tubería de agua o el cable de alimentación.

### Nota:

Si el piso o el electrodoméstico es inclinado respecto de la cavidad de instalación, ajuste las ruedas ajustables en altura, antes de introducir el electrodoméstico en la cavidad.

1. Quitar el panel base.
2. Subir las ruedas ajustables en altura posteriores en aprox.  $\frac{3}{8}$ " (10 mm).
3. Conecte el enchufe en el tomacorriente.
4. Introducir la alimentación de agua en el tubo de protección (a) que se encuentra en la parte posterior del electrodoméstico.

### ⚠ ADVERTENCIA:

Obrar con cuidado para que no se lastimen las personas que ayudan en la instalación ni evitar que se produzcan daños en el electrodoméstico.

El electrodoméstico puede volcar mientras se conecta la alimentación de agua al tubo de conexión.

5. A fin de evitar daños en el cable de alimentación, favor de sujetar un trozo de hilo en el medio del mismo, pasando a éste último por encima del electrodoméstico. Al empujar el equipo, favor de tirar el cable hacia arriba. Cuidar de no magullar el cable de conexión.

### o bien

Pegue el cable mediante cinta adhesiva en el suelo detrás del electrodoméstico a una distancia aprox. de 15" (380 mm) de la pared posterior de la cavidad.

6. Empuje cuidadosamente el electrodoméstico hacia el interior de la cavidad.
7. Quitar la protección de las esquinas (de existir).

# 1. Alineación del electrodoméstico

## Nota:

A fin de asegurar que el electrodoméstico funcione correctamente debe estar perfectamente nivelado.

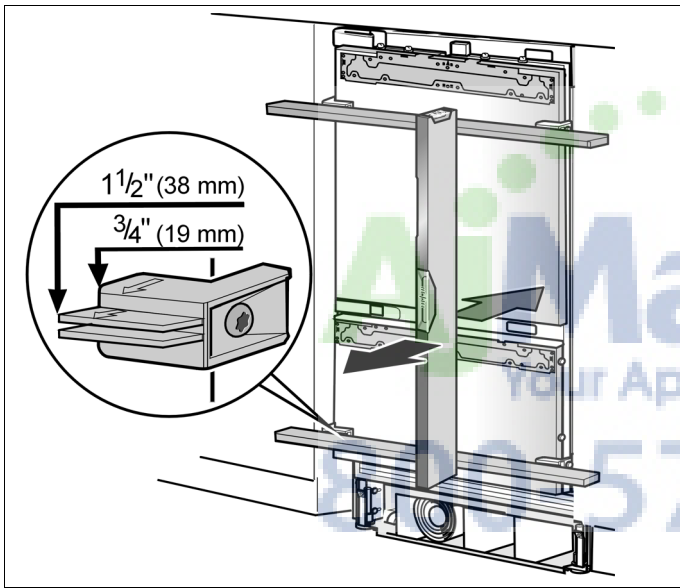
## Alineación en profundidad

Las piezas auxiliares sobre la puerta fueron diseñadas para un espesor total de las puertas de los muebles:

- 3/4" (19 mm)
- 1 1/2" (38 mm)

Tenga siempre en cuenta los espesores eventualmente diferentes de los frentes de los muebles que se sujetarán.

1. Alinee el electrodoméstico con los frentes de los muebles.  
Coloque el nivel de marcar o las piezas auxiliares para la instalación sobre la puerta.



## Alineación en altura

### Notas:

- ¡No gire o presione el electrodoméstico dentro de la cavidad! Cuando desenrosque las patas de altura ajustable, proceda de modo gradual: alterne siempre entre la derecha y la izquierda, repitiendo el proceso alternativamente.
- El ajuste de las patas posteriores se facilita si se descarga la parte posterior del equipo.
- No apoyar el electrodoméstico contra los topes antivuelco.

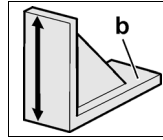
Las ruedas de altura ajustable tanto del frente como de la parte posterior, pueden ajustarse desde el frente.

Frente: Llave de boca de 1/2" (13 mm)

Fondo: Destornillador en cruz 5/16" (8 mm) con vástago flexible.

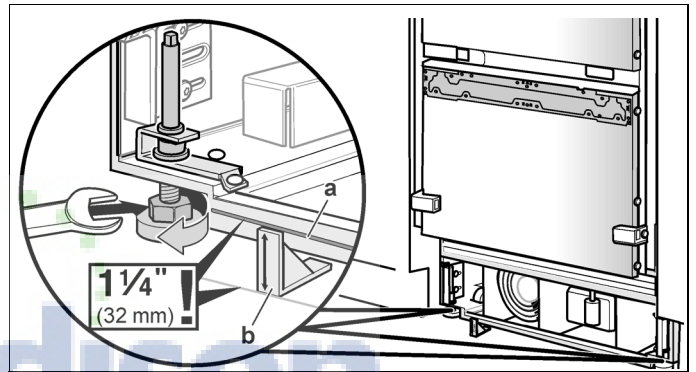
Como medida sugerida para el ajuste de la altura, se ha practicado una marca (a) en la pata del equipo. Durante el ajuste, esta marca debe ajustarse esta marca a una altura de 1 1/2" (32 mm) sobre el nivel del suelo.

Es sumamente importante cumplir con estas medidas, para lograr una buena alineación de los frentes de los muebles.

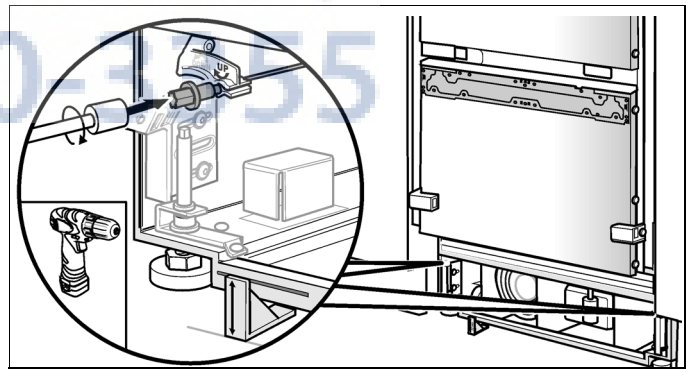


El elemento de ajuste de altura (b) se utiliza para el ajuste correcto de la misma. La esquina superior del elemento debe estar alineada con la marca que se encuentra en el equipo.

2. Desatornillar las patas anteriores del electrodoméstico hasta que la marca (a) que se encuentra en el electrodoméstico se encuentra alineada con la esquina superior del elemento de ajuste (b).



3. Alinear el electrodoméstico en sentido vertical, haciendo uso de las patas posteriores. ¡Utilizar un nivel!

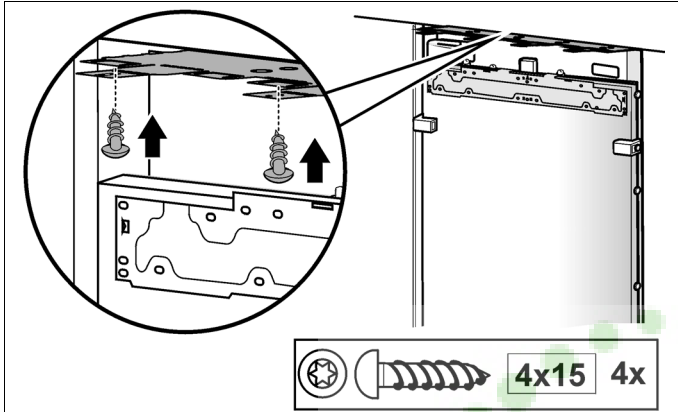


## 2. Sujetando el electrodoméstico a la cavidad

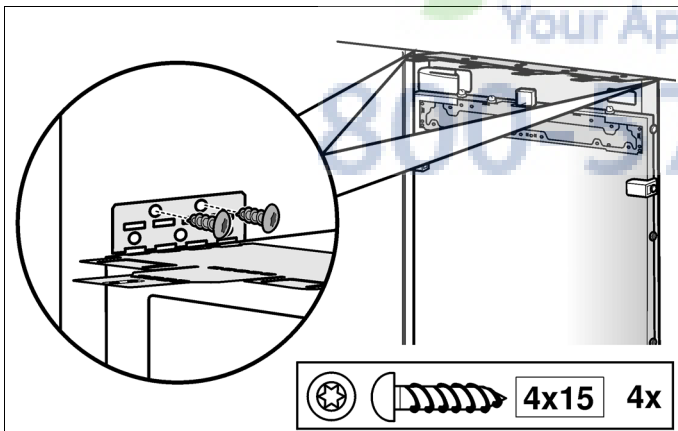
### Nota:

Es indispensable sujetar el electrodoméstico en la parte superior del encerramiento.

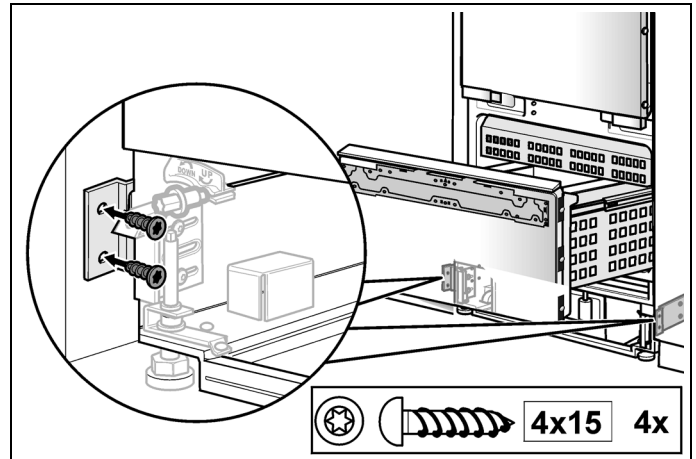
1. Atornille las placas de las eclisas de sujeción (superiores) al mueble o adorno superpuesto.
2. Si en la parte superior del electrodoméstico existe un espacio mayor, es indispensable montar una vigueta de madera de medidas adecuadas, libre de juego sobre el equipo.



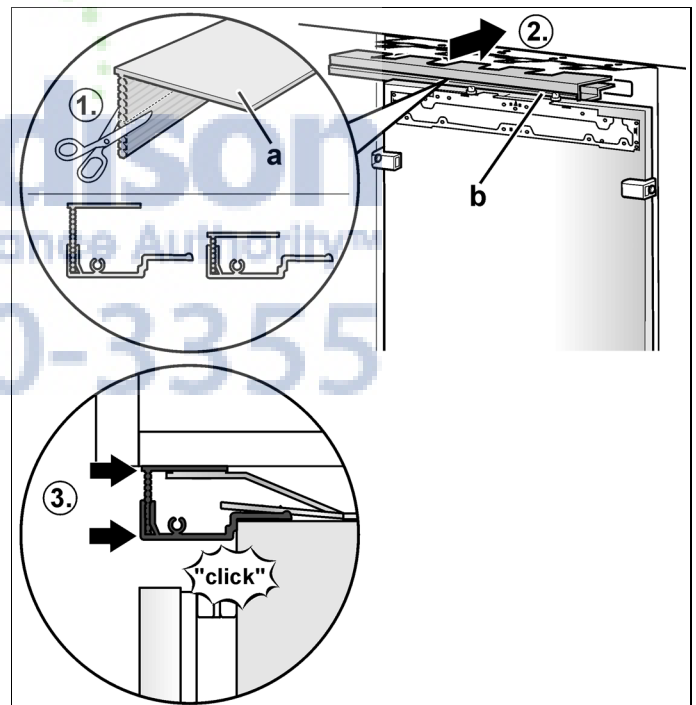
3. Si existe suficiente espacio en la parte superior del electrodoméstico, sujetar las piezas de conexión de las placas de sujeción (superiores) en la pared lateral del encerramiento.



4. Atornillar los apoyos de sujeción en la pared lateral del encerramiento.



5. Cortar el listón de sujeción (a) a la longitud requerida para cerrar el espacio libre.
6. Presionar el listón de sujeción (a) contra el listón de cobertura (superior).
7. Sujete el listón de cobertura (b) en la placa de montaje (arriba).



A continuación se detalla un paso de instalación especial. Las instrucciones del caso se dan después de la sección C.

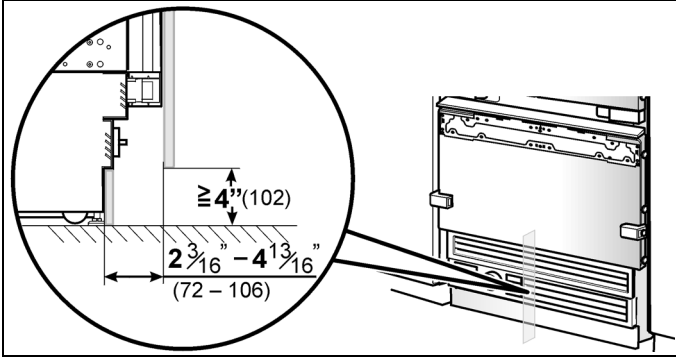
- Por la conexión del agua, ver «Conexión del agua al electrodoméstico».

## 1. Sujeción del panel de protección

### Nota:

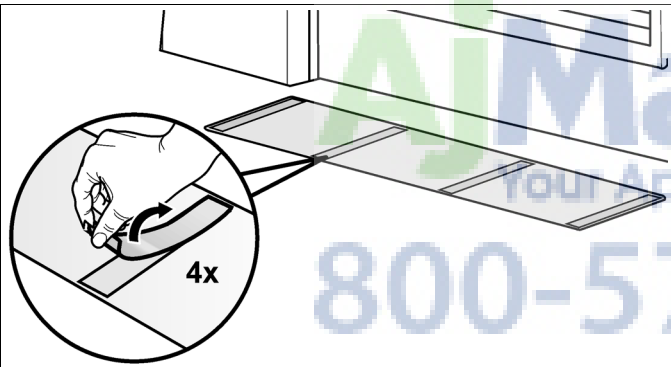
Existe riesgo de daños en el electrodoméstico.  
No obture las aberturas de ventilación en el base del panel.

Medidas nominales a tener en cuenta:

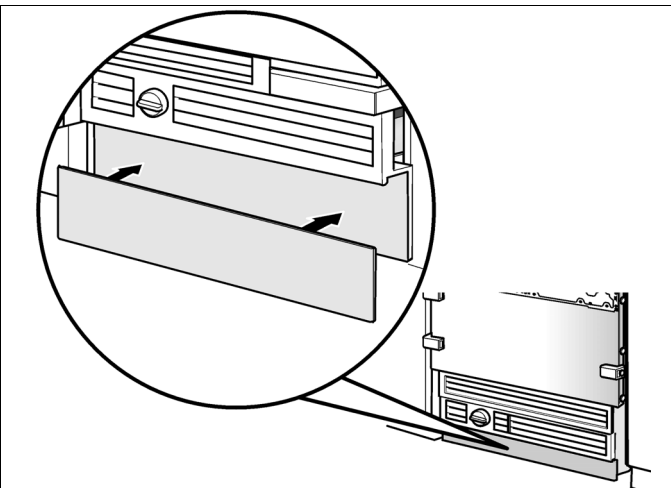


### Panel de acero inoxidable (accesorio)

1. Sujetar el panel base en el electrodoméstico (no atornillar).
2. Quitar la película de protección de las bandas adhesivas.



3. Sujetar el panel de protección contra golpes en el panel base y presionarlo firmemente en su sitio.

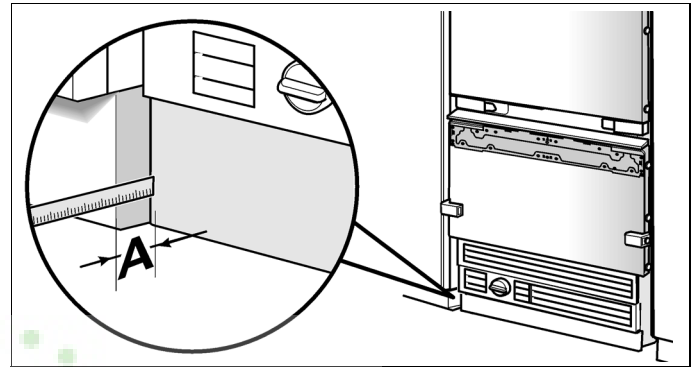


## Panel de madera

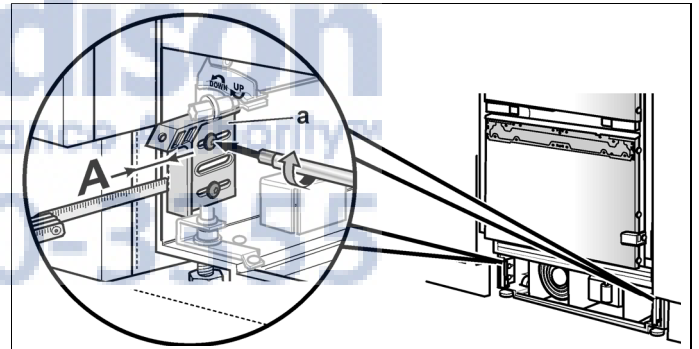
1. Si hiciera falta, cortar el panel de madera a la longitud necesaria.
2. Atornillar el panel de madera en el panel base desde la parte posterior. También hay perforaciones para los tornillos en el panel base.

## 2. Alineación del panel de protección

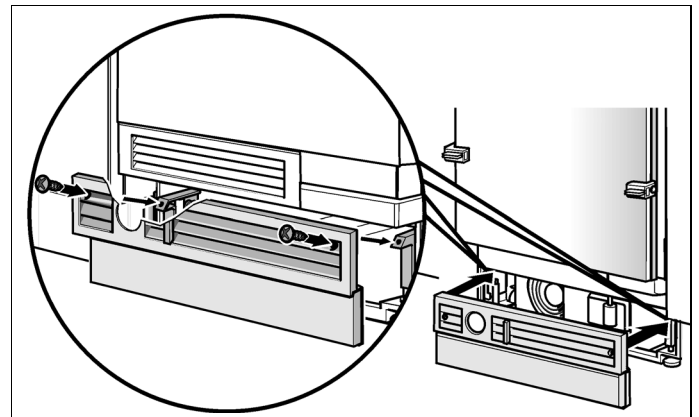
1. Aplique el panel base (sin atornillar) y mida la diferencia **A** entre el panel base y el panel de protección del mueble adyacente.



2. Quite el panel base.
3. Ajustar los topes (a) a la medida **A** y sujetarlos.



4. Monte el panel base.



### 3. Puesta en marcha del electrodoméstico

A fin de garantizar la exactitud de los pasos a realizar a continuación ya que tendrán influencia en la imagen de apariencia de todo el frente de la cocina, ahora debe ponerse en marcha el equipo.

1. Abra la puerta del electrodoméstico.
2. Accione el pulsador POWER.
3. Volver a accionar el pulsador POWER a fin de cerrar.

#### Únicamente para equipos que disponen de una conexión de agua:

A fin de evitar eventuales daños debidos al agua que pueda surgir en caso de una avería de la tubería correspondiente, debe dejarse todavía cerrado el grifo del agua.

### 4. Preparación de las puertas mueble

#### Importante:

Si realiza cualquier trabajo en las puertas de los mueble, tenga siempre en cuenta:

- atornille siempre en el material que mejor soporta la carga en la puerta del mueble,
- nunca colocar tornillos en los paneles de las puertas, listones decorativos o similar,
- seleccione siempre una longitud de los tornillo que sea inferior al espesor de la puerta,
- proteja las superficies de las puertas durante el trabajo, a fin de evitar daños.

El peso total del frente del mueble, no debe exceder los valores siguientes:

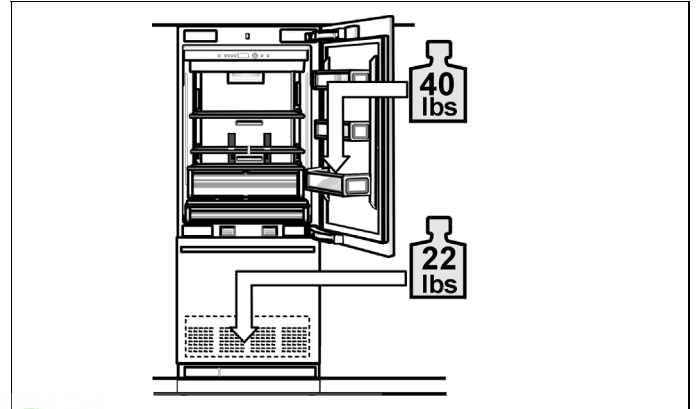
- Puerta del comp. frigorífico: 44 lbs/20 kg
- Compartimento de congelación: 25 lbs/11.5 kg

### 5. Carga admisible en la puerta electrodoméstico

A fin de lograr una exactitud máxima en las medidas de las ranuras de las puertas de los muebles, se recomienda aplicar pesas en las gavetas de la puerta.

Se recomienda:

- Puerta del comp. frigorífico: 40 lbs/18 kg
- Compartimento de congelación: 22 lbs/10 kg

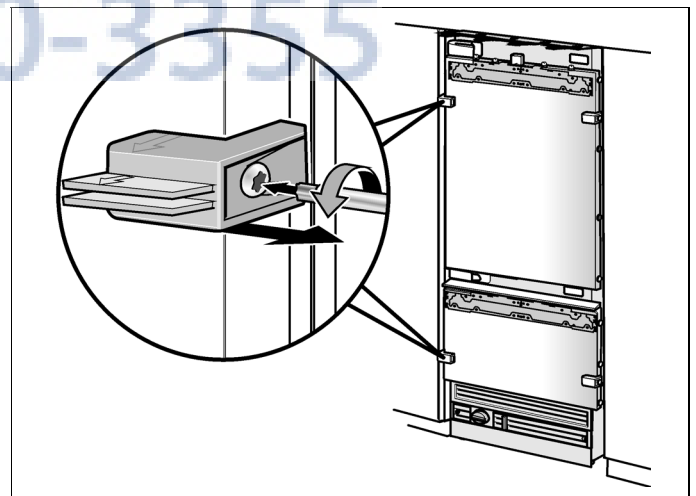


### 6. Quitar el elemento auxiliar para el posicionamiento

Desatornille el soporte de instalación de la puerta del electrodoméstico.

#### Nota:

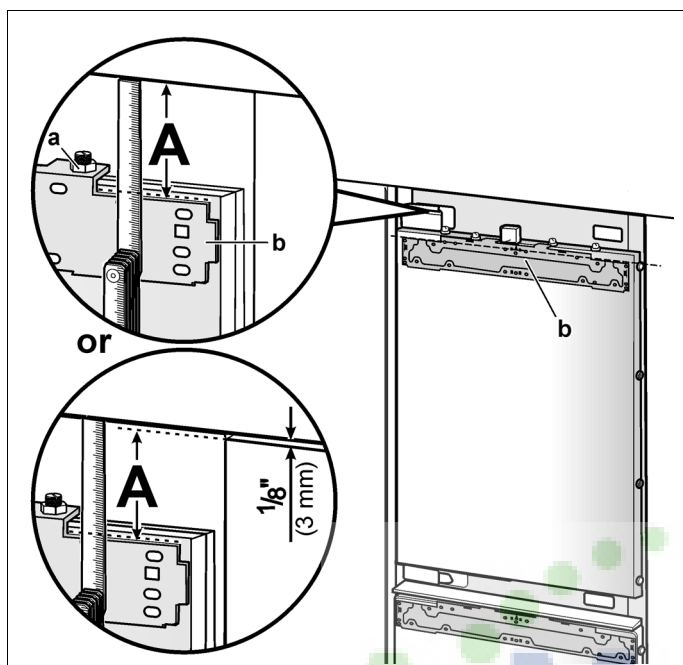
Los elementos auxiliares para el posicionamiento son necesarios para el montaje ulterior.



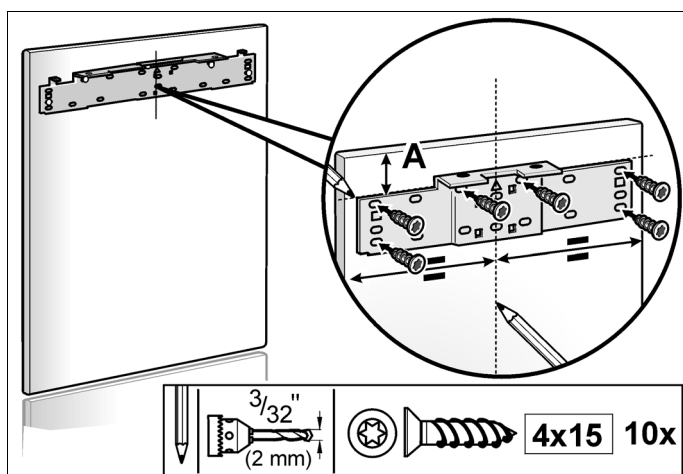


## 7. Montaje del riel de ajuste en la puerta del mueble (compartimento frigorífico)

1. Mida la distancia **A** entre el riel de ajuste (b) y la parte superior del mueble.



2. Afloje las 2 tuercas (a) y quite el riel de ajuste (b).
3. Marque la medida **A** sobre la parte posterior de la puerta del mueble.
4. Determine y marque el centro de la puerta del mueble.
5. Aplique el riel de ajuste, alineando a lo largo de las marcas. Marque los orificios.
6. Perfore en estas marcas.
7. Atornille el riel de ajuste firmemente.



### Nota:

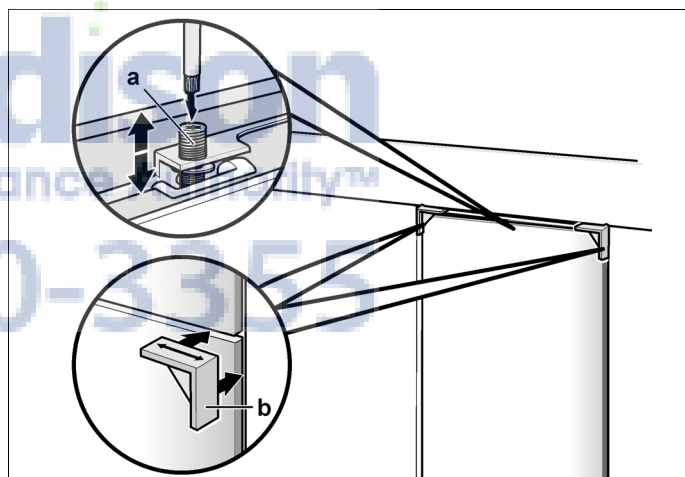
- Sujete el riel de ajuste con un mínimo de 10 tornillos a la puerta del mueble. Debe insertarse un tornillo debajo de cada perno de doble rosca.
- El riel de ajuste presenta una gran variedad de perforaciones, para cubrir las diversas posibilidades de puertas de los muebles. Atornille siempre en las partes donde la puerta del mueble presente la mejor capacidad de porte.

## 8. Sujeción de los listones correspondientes al panel puerta (compartimento frigorífico)

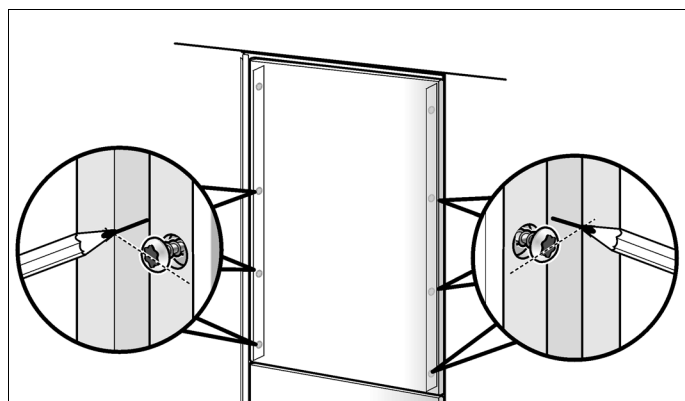
### Nota:

Los listones de sujeción están preensamblados para puertas de acero inoxidable. Continuar con el paso de instalación siguiente en este caso ("C / 9. Montaje del riel de ajuste en la puerta del mueble (compartimento de congelación)").

1. Cuelgue la puerta de los pernos de doble rosca (a).
2. Alinee la puerta mediante los pernos de doble rosca (destornillador Torx). Controlar repetidamente las medidas del espacio. Utilizar el elemento de control (b) a tal fin.

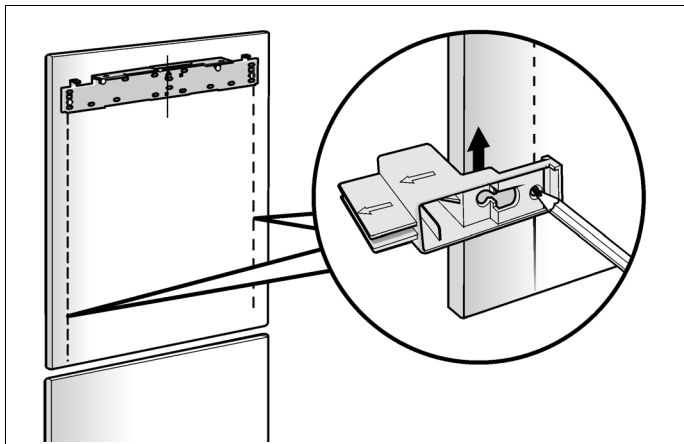


3. Transfiera la posición de los tornillos a través del borde exterior de la puerta del mueble, a la parte frontal del mueble, practicando una marca.

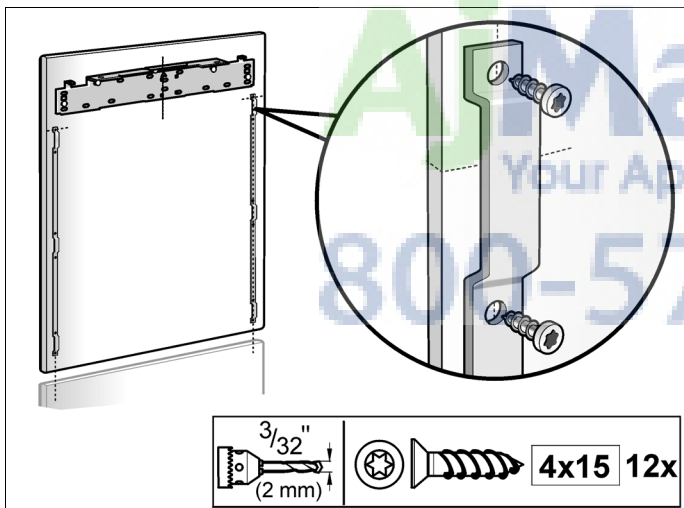




4. Quite la puerta del mueble.
5. Trazar sendas paralelas en los dos lados largos de la puerta del mueble con ayuda del soporte de instalación.



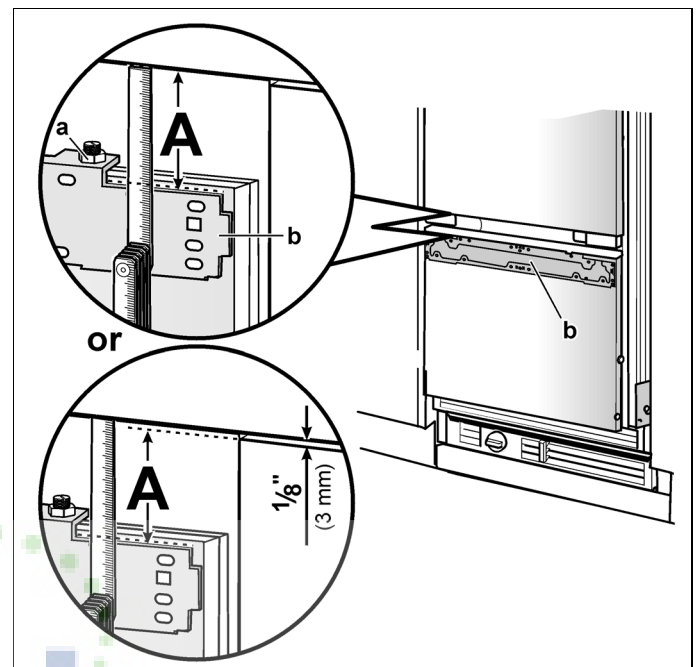
6. Extienda las marcas de los orificios que acaba de hacer, a las marcas verticales mediante una escuadra.
7. Aplique el riel de sujeción y marque los orificios.
8. Perfore en estas marcas.
9. Atornille los rieles de sujeción.



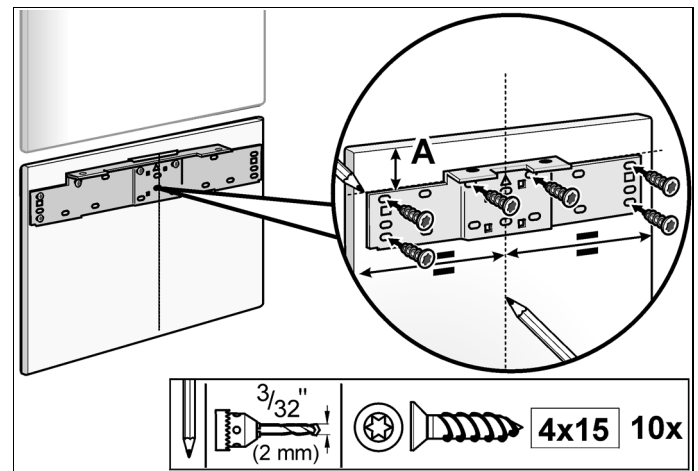
10. Cuelgue la puerta con el riel de ajuste sobre los pernos de doble rosca.

## 9. Montaje del riel de ajuste en la puerta del mueble (compartimento de congelación)

1. Mida la distancia **A** entre el riel de ajuste (b) y la puerta superior.



2. Afloje las 2 tuercas (a) y quite el riel de ajuste (b).
3. Marque la medida **A** sobre la parte posterior de la puerta del mueble.
4. Determine y marque el centro de la puerta del mueble.
5. Aplique el riel de ajuste, alineando a lo largo de las marcas. Marque los orificios.
6. Perfore en estas marcas.
7. Atornille el riel de ajuste firmemente.



**Nota:**

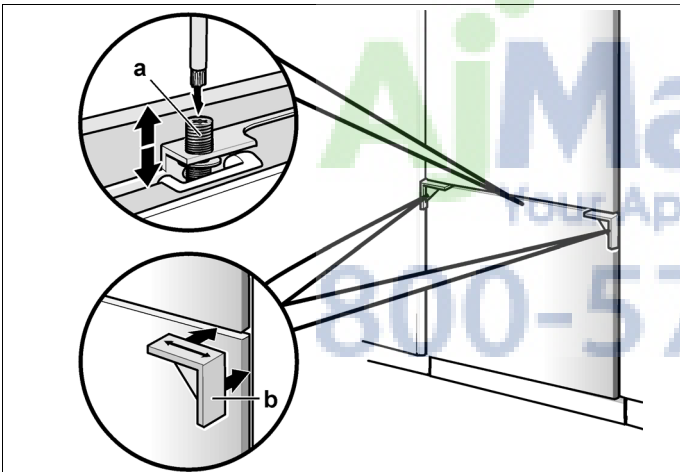
- Sujete el riel de ajuste con un mínimo de 10 tornillos a la puerta del mueble. Debe insertarse un tornillo debajo de cada perno de doble rosca.
- El riel de ajuste presenta una gran variedad de perforaciones, para cubrir las diversas posibilidades de puertas de los muebles. Atornille siempre en las partes donde la puerta del mueble presente la mejor capacidad de porte.

## 10. Sujeción de los listones correspondientes al panel puerta (compartimento de congelación)

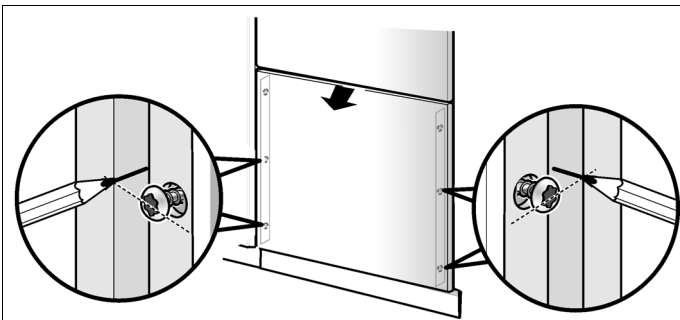
**Note:**

Los listones de sujeción están preensamblados para puertas de acero inoxidable. Continuar con el paso de instalación siguiente en este caso ("C / 11. Sujeción de la puerta del mueble (compartimento frigorífico)").

1. Cuelgue la puerta de los pernos de doble rosca (a).
2. Alinee la puerta mediante los pernos de doble rosca (destornillador Torx).  
Controlar repetidamente las medidas del espacio. Utilizar el elemento de control (b) a tal fin.

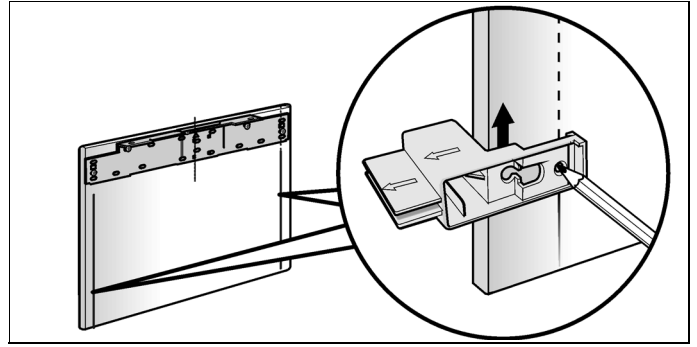


3. Transfiera la posición de los tornillos a través del borde exterior de la puerta del mueble, a la parte frontal del mueble, practicando una marca.

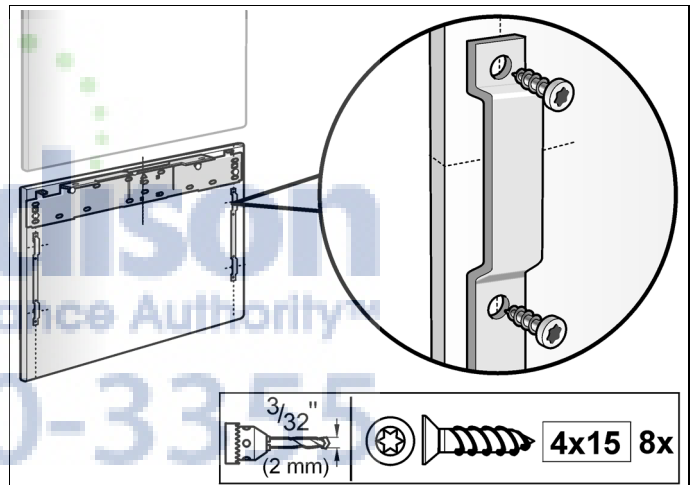


4. Quite la puerta del mueble.

5. Trazar sendas paralelas en los dos lados largos de la puerta del mueble con ayuda del soporte de instalación.



6. Extienda las marcas de los orificios que acaba de hacer, a las marcas verticales mediante una escuadra.
7. Aplique el riel de sujeción y marque los orificios.
8. Perfore en estas marcas.
9. Atornille los rieles de sujeción.

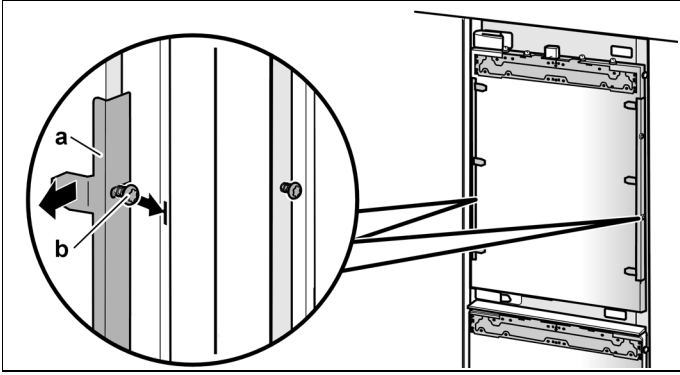


## 11. Sujeción de la puerta del mueble (compartimento frigorífico)

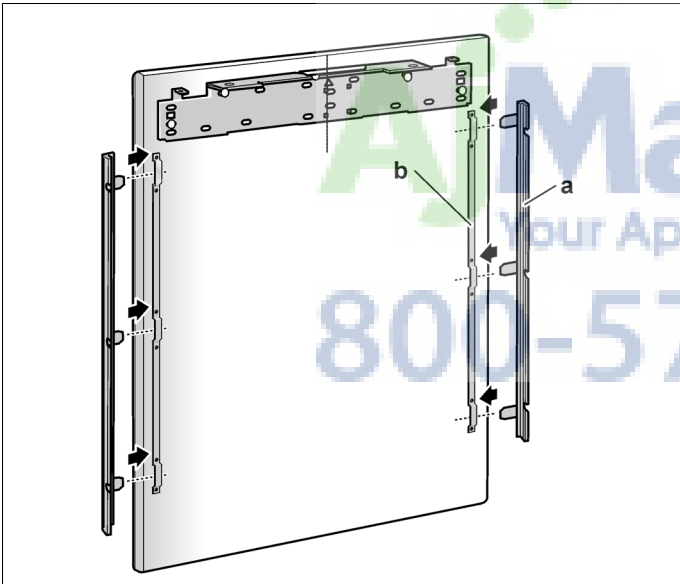
### Nota:

Atornille ahora las manijas del mueble que ha quitado anteriormente!

1. Quitar los soportes de sujeción (a) de la puerta del electrodoméstico. Para lograrlo, aflojar solamente los tornillos (b) del listón.

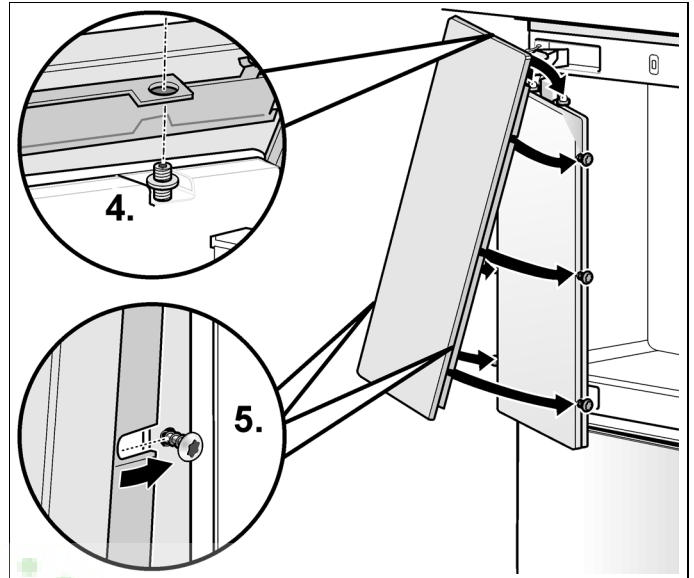


2. Insertar los soportes de sujeción quitados (a) en los rieles de ajuste (b) del panel de la puerta.

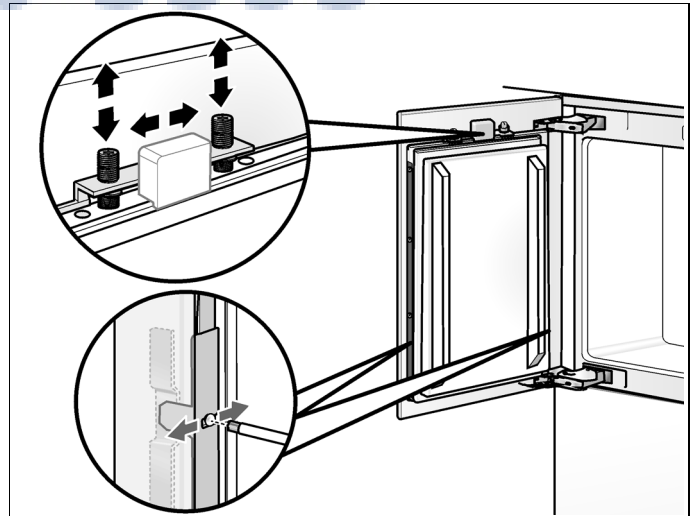


3. Abrir la puerta del aparato.

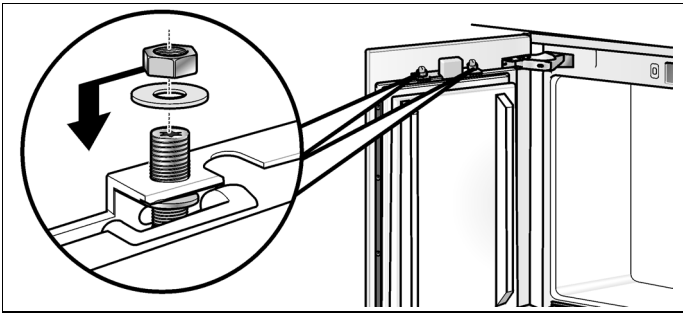
4. Cuelgue la puerta con el riel de ajuste sobre los pernos de doble rosca (1.).
5. Eleve levemente la puerta del mueble, empujando luego el riel de sujeción hacia abajo sobre las grampas de sujeción (2.).



6. Alinear la puerta del mueble mediante los pernos de doble rosca (y un destornillador Torx). Controlar la holgura.
7. Cierra la puerta y controle que la profundidad del frente del mueble esté alineado con los frentes adyacentes. Corrija si hace falta.
8. Ajuste los tornillos de los soportes, a fin de fijar la profundidad de alineación.
9. Cierre la puerta y controle la alineación. Corrija golpeando suavemente en al borde de la puerta con la mano.



10. Ajuste las tuercas en el riel de ajuste. Esto fijará el ajuste lateral de la puerta.

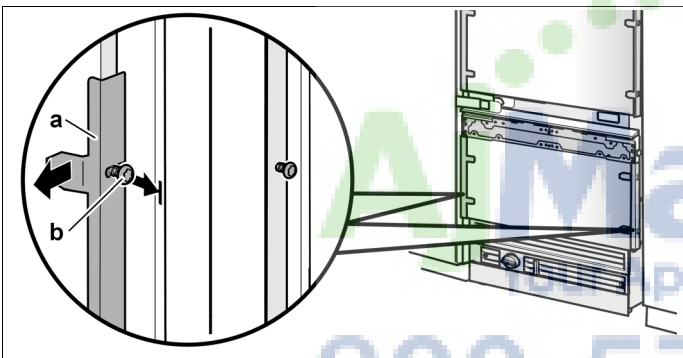


## 12. Sujeción de la puerta del mueble (compartimento de congelación)

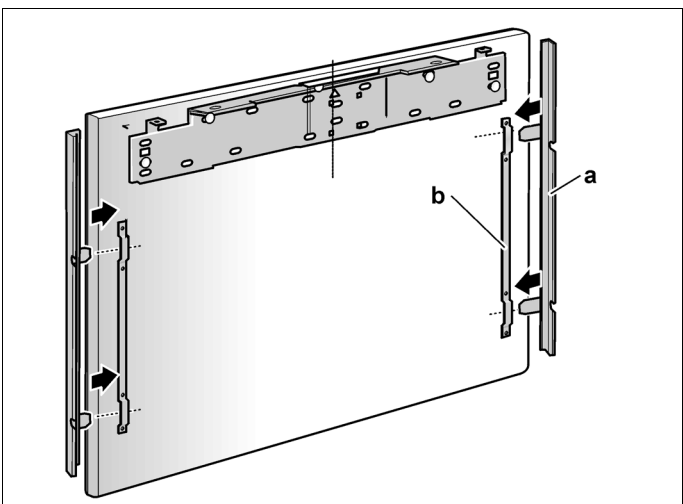
### Nota:

Atornille ahora las manijas del mueble que ha quitado anteriormente!

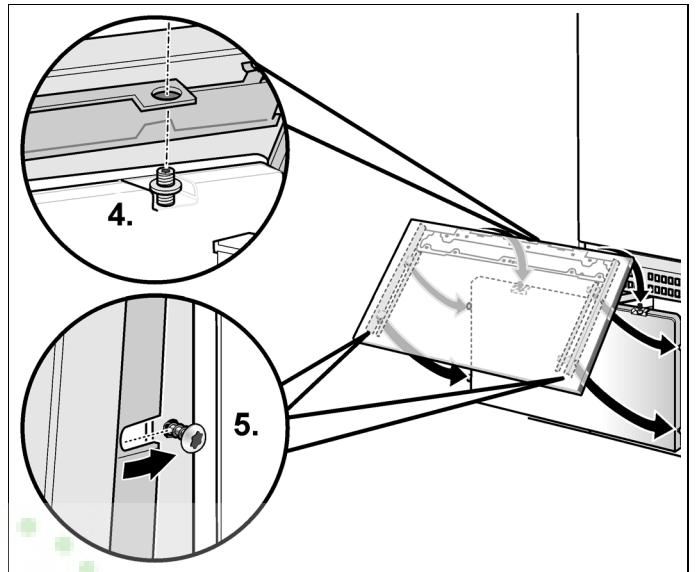
1. Quitar los soportes de sujeción (a) de la puerta del electrodoméstico. Para lograrlo, aflojar solamente los tornillos (b) del listón.



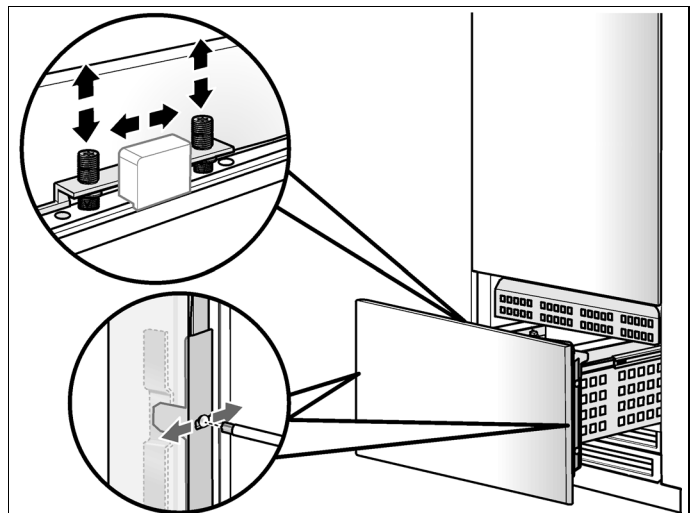
2. Insertar los soportes de sujeción quitados (a) en los rieles de ajuste (b) del panel de la puerta.



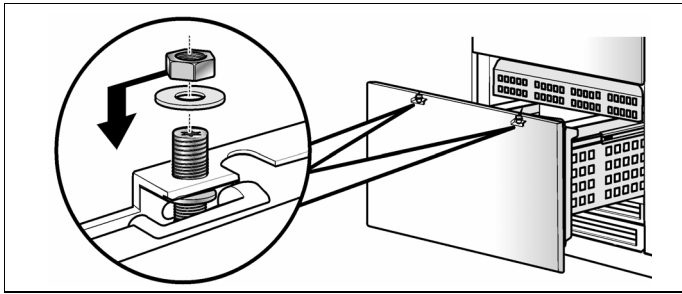
3. Abrir el cajón.  
4. Cuelgue la puerta con el riel de ajuste sobre los pernos de doble rosca (1.).  
5. Eleve levemente la puerta del mueble, empujando luego el riel de sujeción hacia abajo sobre las grampas de sujeción (2.).



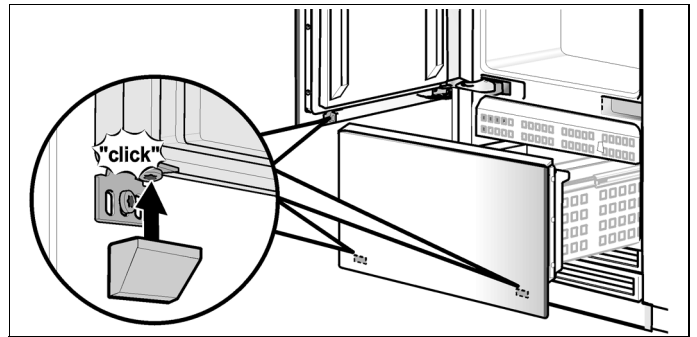
6. Alinear la puerta del mueble mediante los pernos de doble rosca (y un destornillador Torx). Controlar la holgura.  
7. Cierra la puerta y controle que la profundidad del frente del mueble esté alineado con los frentes adyacentes. Corrija si hace falta.  
8. Ajuste los tornillos de los soportes, a fin de fijar la profundidad de alineación.  
9. Cierre la puerta y controle la alineación. Corrija golpeando suavemente en el borde de la puerta con la mano.



- Ajuste las tuercas en el riel de ajuste. Esto fijará el ajuste lateral de la puerta.



- Coloque la cubierta sobre los soportes.

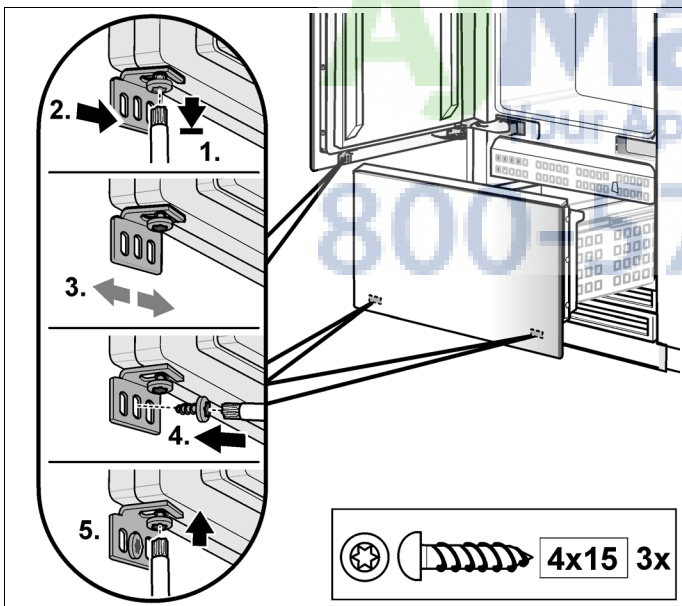


### 13. Montaje de los soportes inferiores

Los soportes inferiores ajustan la alineación lateral de la puerta. La cantidad de soportes inferiores depende del ancho y el diseño de la puerta del mueble.

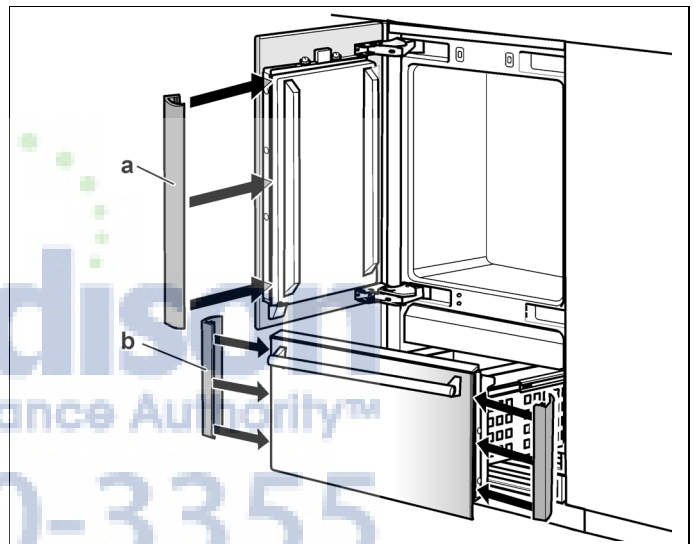
Atornille los soportes inferiores (correspondiente al juego de elementos auxiliares). ¡Practique orificios preparativos en la puerta del mueble!

- Aflove los tornillos.
- Desplazar el soporte sobre el tornillo.
- Controle la posición lateral de la puerta.
- Atornille los tornillos de madera.
- Ajuste los tornillos.

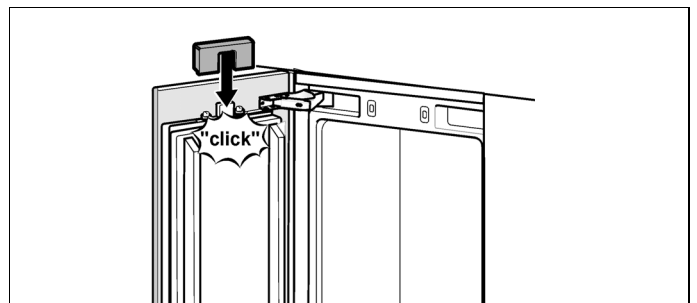


### 14. Montaje de las cubiertas

- Sujete el riel de cobertura (a) & (b) sobre ambos lados longitudinales de las puertas del compartimento congelador.

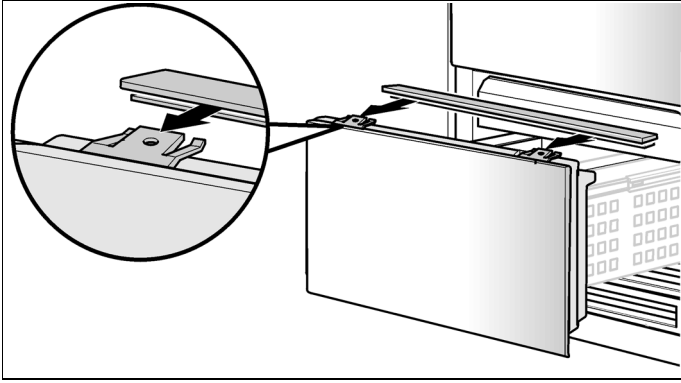


- Monte la cubierta para el conmutador de la luz. La cubierta pueden atornillarse en la puerta.





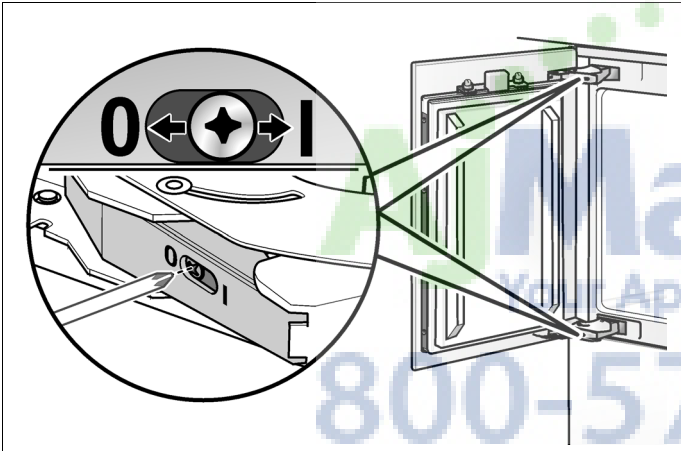
3. Coloque la placa de cobertura en la puerta del compartimiento congelador.



## 15. Cambio del muelle de la puerta

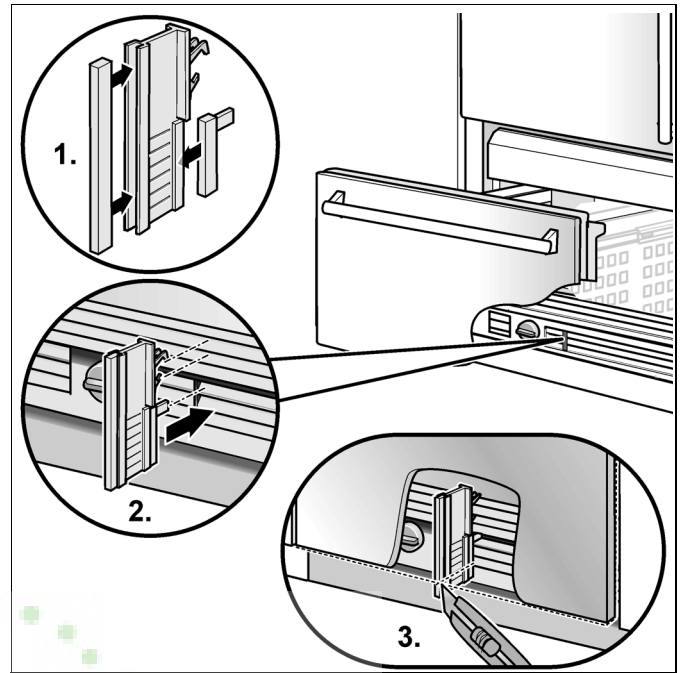
Girar del tornillo de ajuste mediante un destornillador para ranura en cruz.

- I** = aumenta la tensión del muelle  
**0** = disminuye la tensión del muelle



## 16. Montaje del separador de aire

Montar el separador de aire a la puerta del mueble a fin de separar el aire de entrada y salida.



A continuación se detalla un paso de instalación especial. Las instrucciones del caso se dan después de la sección C.

- Por el tope para la puerta, ver «Ajuste del ángulo de apertura de la puerta».



Con esto, el montaje del aparato ha concluido.



## Instalación especial

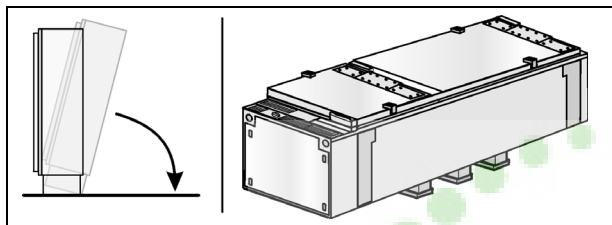
### Cambiando las bisagras

#### ⚠ ADVERTENCIA:

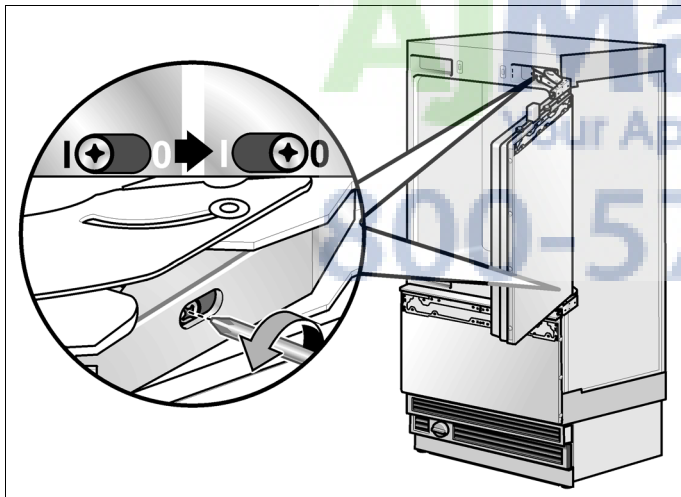
¡Hay peligro de lesiones!  
¡Antes de trabajar en las bisagras, quite los muelles!

#### Nota:

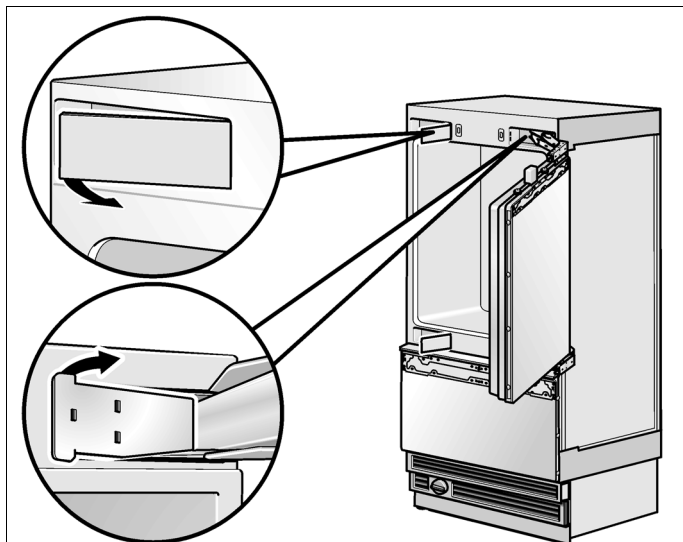
- En los congeladores equipados con dispensador de agua/hielo, no puede modificarse el sentido de apertura de la puerta.
- El cambio de la bisagra de la puerta se hace con mayor facilidad, si el electrodoméstico está acostado sobre su parte posterior (colocar la paleta debajo del mismo).



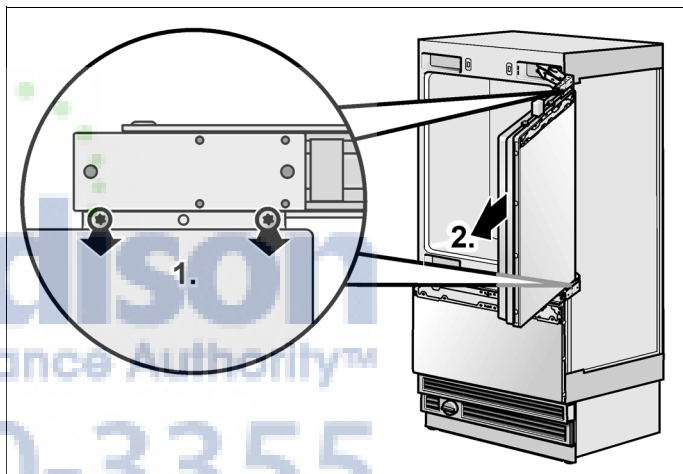
1. Afloje el muelle de la bisagra. Afloje el tornillo **1** a **0**.



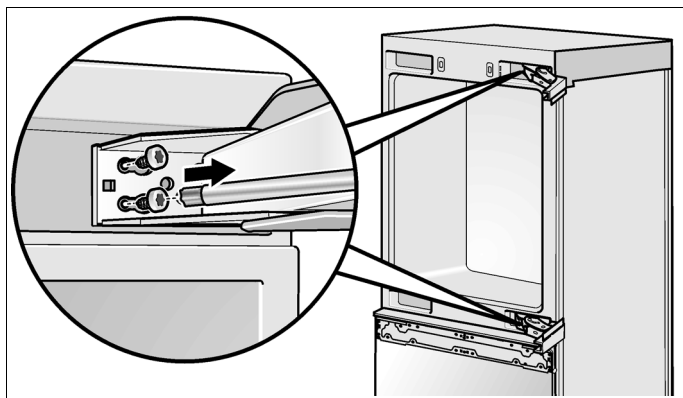
2. Quite la caja de protección de la bisagra.



3. Desatornillar (**1**) y quitar (**2**) la puerta.

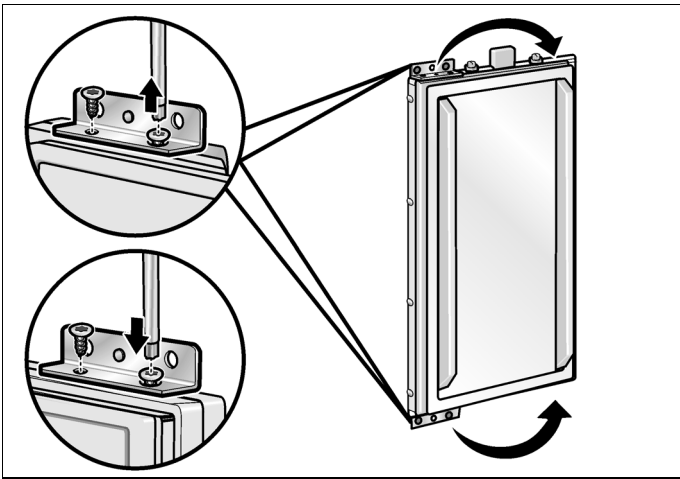


4. Quite las bisagras.

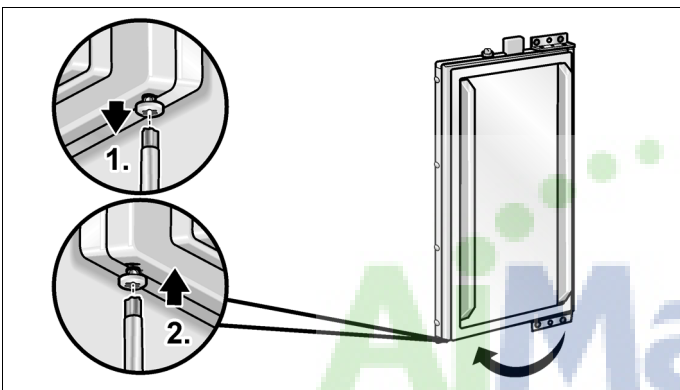




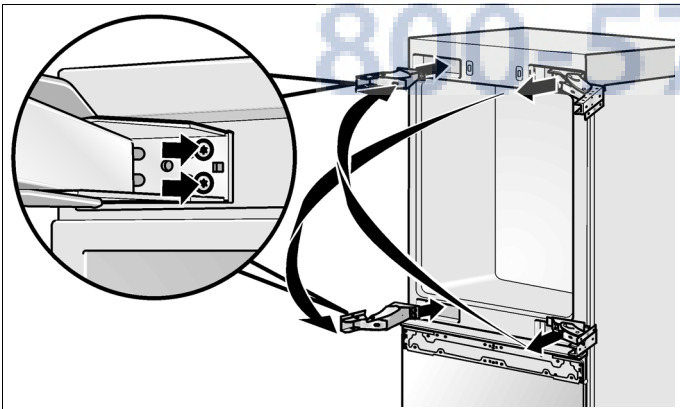
5. Cambie de lado las piezas de sujeción en la puerta.



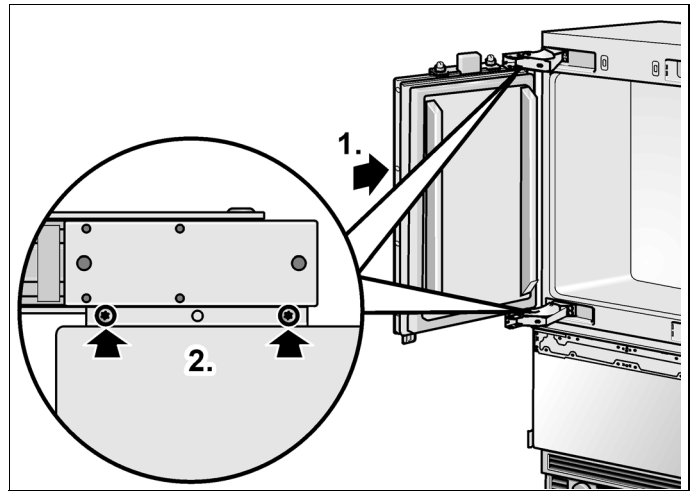
6. Cambiar de sitio el tornillo en el tope superior.



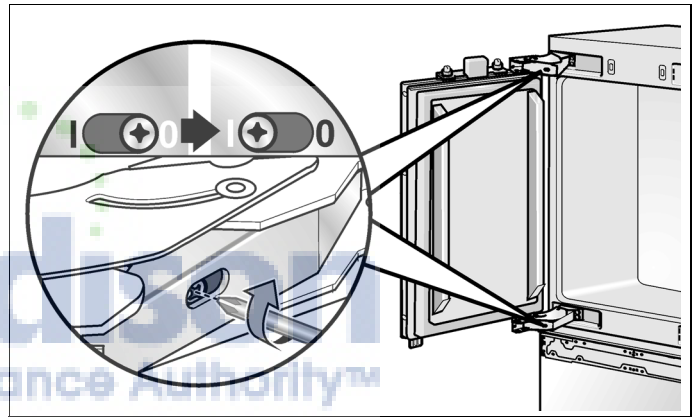
7. Sujete las bisagras en el electrodoméstico. ¡Cambie las bisagras cruzadas!



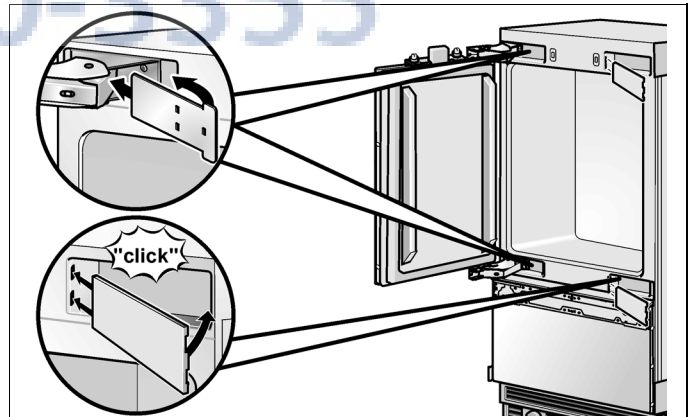
8. Sujete la puerta.



9. Tensione el muelle de la bisagra. Ajuste el tornillo de 0 a I. Sujete luego la caja de cobertura de la bisagra.



10. Sujete luego la caja de cobertura de la bisagra.



## Preparación para conectar el agua

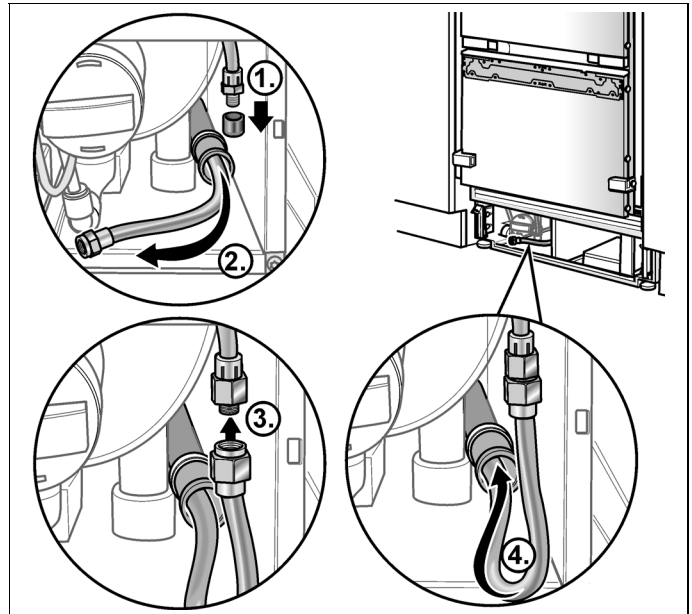
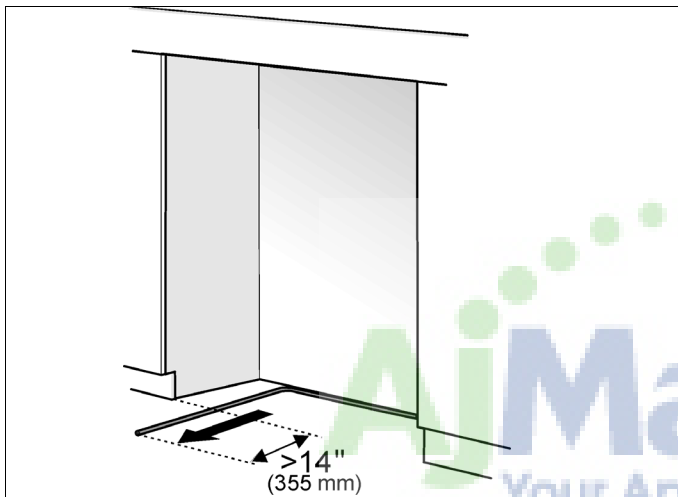
(solamente si el electrodoméstico requiere de una conexión de agua)

### Nota:

Cierre la llave principal de agua, a fin de evitar daños debidos a la pérdida de agua.

1. Monte la tubería de conexión a la válvula de cierre, según las instrucciones suministradas por el fabricante de la instalación generadora de hielo.
2. Instale la tubería de conexión.

Observe siempre las medidas de separación indicadas, a fin de evitar daños en la tubería de conexión, cuando coloca el electrodoméstico en su sitio.



7. Abra la válvula de cierre y la llave general.
8. Controle la válvula de cierre y la conexión en el electrodoméstico, para localizar eventuales pérdidas.
9. Cierre la llave general de agua.

## Ajuste del ángulo de apertura de la puerta

Dependiendo de las condiciones de instalación, puede ser necesario ajustar el ángulo de apertura de la puerta. En fábrica se ha ajustado un ángulo de apertura de 115°.

A fin de ajustar el ángulo de apertura a 90°:

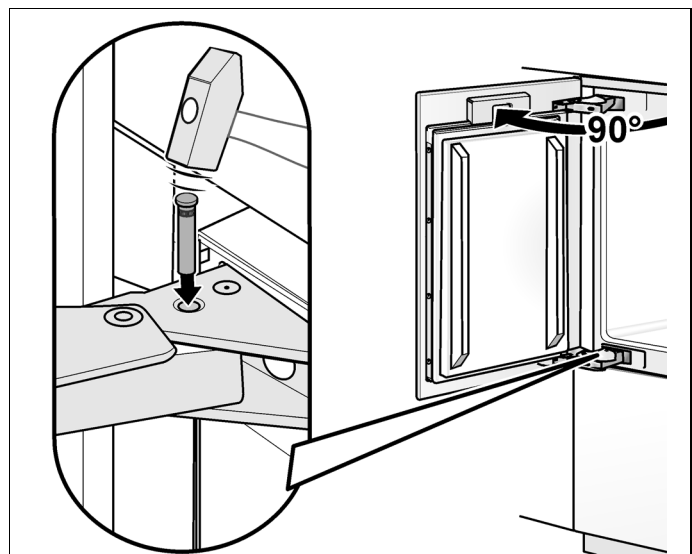
1. Abrir la puerta a 90°.
2. Introducir el perno limitador a través de las dos perforaciones ahora enfrentadas, golpeando con un martillo.

## Conexión del agua al electrodoméstico

### Nota:

Cuando conecte la tubería de agua, no la retuerza. De lo contrario existe el riesgo que se produzcan pérdidas de agua.

1. Quite la capa de la conexión del electrodoméstico (1.).
2. Doble la tubería de agua de acuerdo con la ubicación de la conexión del electrodoméstico (2.).
3. Empuje la tuerca de unión, sellando la unión sobre la tubería de agua.
4. Empuje el extremo de la tubería de agua, hasta que penetre en la conexión del electrodoméstico y enrosque la tuerca de unión (3.). Ajuste con la mano.
5. Ajuste la tuerca de unión mediante la llave de boca. ¡No fuerce la rosca!
6. Volver a conectar la línea de conexión de agua en el tubo correspondiente tan rápido como sea posible (4.).





**AjMadison**  
Your Appliance Authority™  
800-570-3355

**Robert Bosch Hausgeräte GmbH**  
Carl-Wery-Straße 34  
81739 München  
DEUTSCHLAND



9000938701 (9309)  
en-us, fr-ca, es-mex