

24" Counter-Depth Bottom-Freezer

500 Series – Stainless Steel B24CB50ESS



BOSCH
Invented for life



B24CB50ESS
Stainless Steel

This compact counter-depth refrigerator offers best in class freshness and organization. The sleek design features a hidden hinge and reversible doors which allow for a next-to-wall placement and nearly flush installation.

Features & Benefits

ENERGY STAR® qualified for energy efficiency.

The VitaFresh drawer keeps fruit and vegetables fresh longer.

Organize your refrigerator with adjustable shelving, door bins and convenient freezer drawers.

Ideal for compact kitchen layouts in metropolitan areas.

The LED lighting shines exceptionally bright and saves energy.

General Properties	
Reversible door hinge	Yes
Easy Clean Stainless Steel	Yes
Water filter	No
Lighting	Yes
Defrost process refrigerator section	Frost-free
Number of shelves – refrigerator	4
Adjustable shelves – refrigerator	3
Shelf material – refrigerator	Tempered glass
Door storage bins	7
Humidity control drawer	1
Defrost process freezer section	Automatic
Number of drawers – freezer	3
Adjustable shelves – freezer	N/A
Ice maker	No
Pyramid Ice	No
Ice capacity	N/A
MultiAirFlow™	Yes
Home Connect® (Wi-Fi enabled)	Yes



Capacity

Total unit capacity – AHAM	12.8 cu. ft.
Refrigerator capacity	9.2 cu. ft.
Freezer capacity	3.6 cu. ft.

Technical Details

Current	10 A
Volts	110-120 V
Frequency	60 Hz
Power cord length	94"
Plug type	120V-3 prong

Dimensions & Weight

Appliance dimensions (H x W x D)	79 15/16" x 23 5/8" x 26 3/16"
Required cutout size (H x W x D)	80 7/16" x 24" x 24"
Net weight	160.93 lbs

Efficiency

ENERGY STAR® qualified	Yes
Energy consumption	406 kWh/yr

Accessories—Included

1 ice cube tray



Accessories: To purchase Bosch accessories, cleaners & parts please visit www.bosch-home.com/us/store or call 1-800-944-2904 (Mon to Fri 5 am to 6 pm PST, Sat 6 am to 3 pm PST).

Notes: All height, width and depth dimensions are shown in inches. BSH reserves the absolute and unrestricted right to change product materials and specifications, at any time, without notice. Consult the product's installation instructions for final dimensional data and other details prior to making cutout.

Warranties: Please see Use & Care manual or Bosch website for statement of limited warranty.

For more information on our entire line of products, go to www.bosch-home.com/us or call 1-800-944-2904

© BSH Home Appliances Corporation. All rights reserved. Bosch is a registered trademark of Robert Bosch GmbH.

24" Counter-Depth Bottom-Freezer

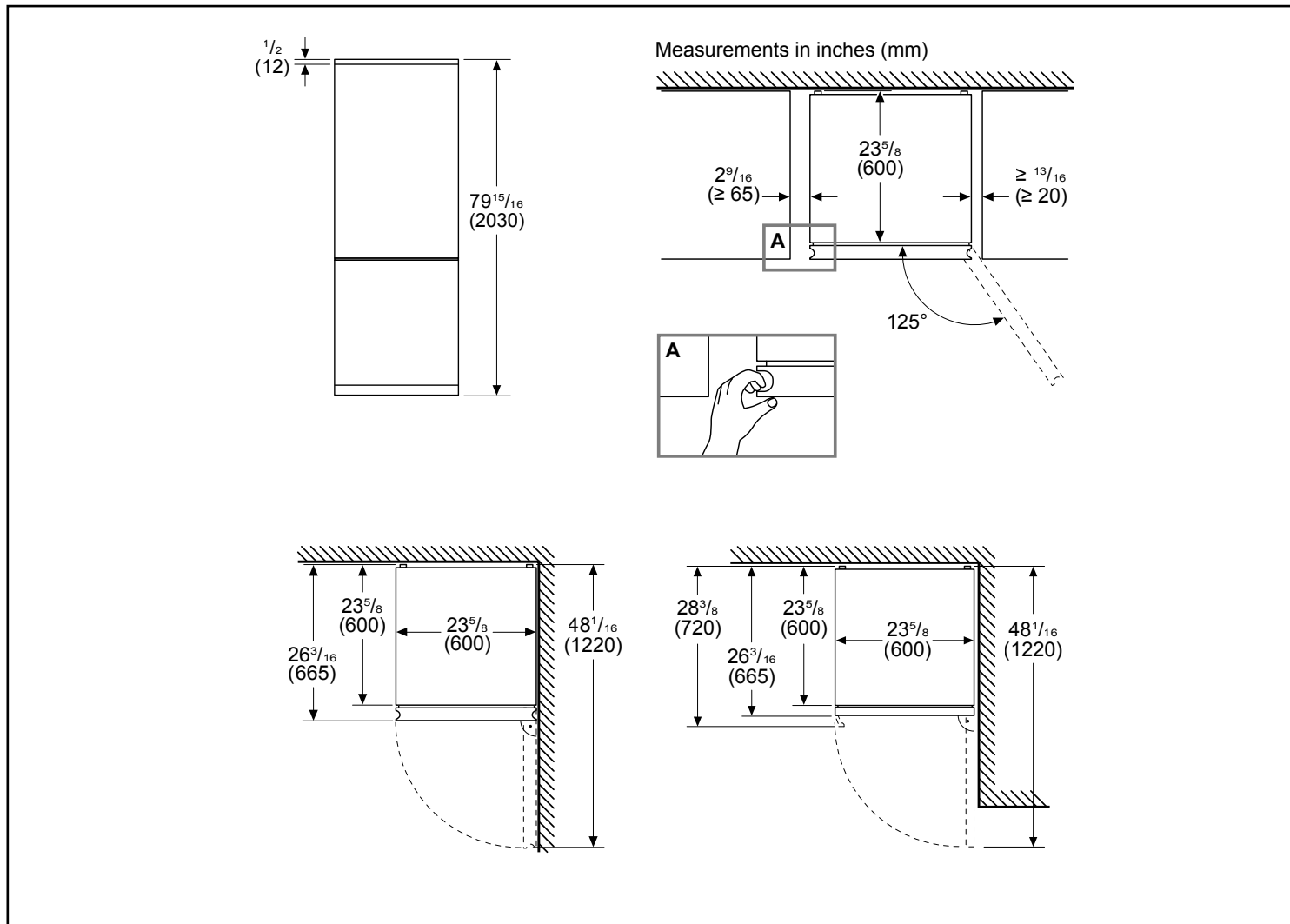
500 Series – Stainless Steel B24CB50ESS



BOSCH
Invented for life



Installation Details



Accessories: To purchase Bosch accessories, cleaners & parts please visit www.bosch-home.com/us/store or call 1-800-944-2904 (Mon to Fri 5 am to 6 pm PST, Sat 6 am to 3 pm PST).

Notes: All height, width and depth dimensions are shown in inches. BSH reserves the absolute and unrestricted right to change product materials and specifications, at any time, without notice. Consult the product's installation instructions for final dimensional data and other details prior to making cutout.

Warranties: Please see Use & Care manual or Bosch website for statement of limited warranty.

For more information on our entire line of products, go to www.bosch-home.com/us or call 1-800-944-2904

© BSH Home Appliances Corporation. All rights reserved. Bosch is a registered trademark of Robert Bosch GmbH.