

# 36" Counter-Depth French Door Refrigerator

800 Series – Stainless Steel B22CT80SNS



**B22CT80SNS**  
Stainless Steel

**This 72" counter-depth French Door refrigerator installs nearly flush and features LED lighting for easier viewing.**

## Features & Benefits

The internal water dispenser delivers filtered and chilled water.

72" height fills refrigerator cutout precisely, with no unsightly gap.

Clean exterior design for a perfect built-in look.

The LED lighting shines exceptionally bright and saves energy.

Spill-proof glass shelves prevent liquids from running off shelves.

## General Properties

Water filter	Yes
Lighting	LED
Defrost process refrigerator section	Frost-free
Number of shelves - refrigerator	5
Adjustable shelves - refrigerator	4 half-width
Shelf material - refrigerator	Tempered glass
Type of shelves - refrigerator	Spill-proof glass
Gallon storage bins	2
Humidity control drawer	2
Defrost process freezer section	Automatic
Number of drawers - freezer	3
Ice maker	Yes
Quick ice	No

## Capacity

Total unit gross capacity (cu. ft.) - AHAM	21.8 cu. ft.
Refrigerator gross capacity (cu. ft.)	16.27 cu. ft.
Freezer gross capacity (cu. ft.)	5.52 cu. ft.



## Technical Details

Current (A)	15 A
Volts (V)	120 V
Frequency (Hz)	60 Hz
Power cord length (in.)	62
Plug type	120V-3 prong

## Dimensions & Weight

Appliance dimensions (H x W x D) (in.)	71 7/8" x 35 5/8" x 30 1/8"
Required cutout size (H x W x D) (in.)	72" x 36" x 25 5/8"
Net weight (lbs)	345 lbs

## Efficiency

ENERGY STAR® qualified	No
Energy consumption (kWh/yr)	633 kWh

## Accessories—Included

Included	Ice scoop
----------	-----------



**For help and assistance with Bosch accessories please visit: [www.bosch-eshop.com/eshop/bosch/us](http://www.bosch-eshop.com/eshop/bosch/us) or call 1-800-944-2904 Mon-Fri 5am to 6pm PST Sat 6am to 3pm PST**

Notes: All height, width and depth dimensions are shown in inches. Please refer to installation instructions prior to making cutout. BSH reserves the absolute and unrestricted right to change product materials and specifications, at any time, without notice. Consult the product's installation instructions for final dimensional data and other details. Applicable product warranty can be found in accompanying product literature or you may contact your account manager for further details.

Warranties: Bosch warrants that the Product is free from defects in materials and workmanship for a period of three hundred and sixty-five (365) days from the date of purchase. The foregoing timeline begins to run upon the date of purchase, and shall not be stalled, tolled, extended, or suspended, for any reason whatsoever. This Product is also warranted to be free from cosmetic defects in material and workmanship (such as scratches of stainless steel, paint/porcelain blemishes, chip, dents, or other damage to the finish of the Product, for a period of thirty (30) days from the date of purchase or closing date for new construction. This cosmetic warranty excludes slight color variations due to inherent differences in painted and porcelain parts, as well as differences caused by kitchen lighting, product location, or other similar factors. This cosmetic warranty specifically excludes any display, floor, "As Is", or "B" stock appliances.

**For more information on our entire line of products, go to [www.bosch-home.com/us](http://www.bosch-home.com/us) or call 1-800-944-2904**

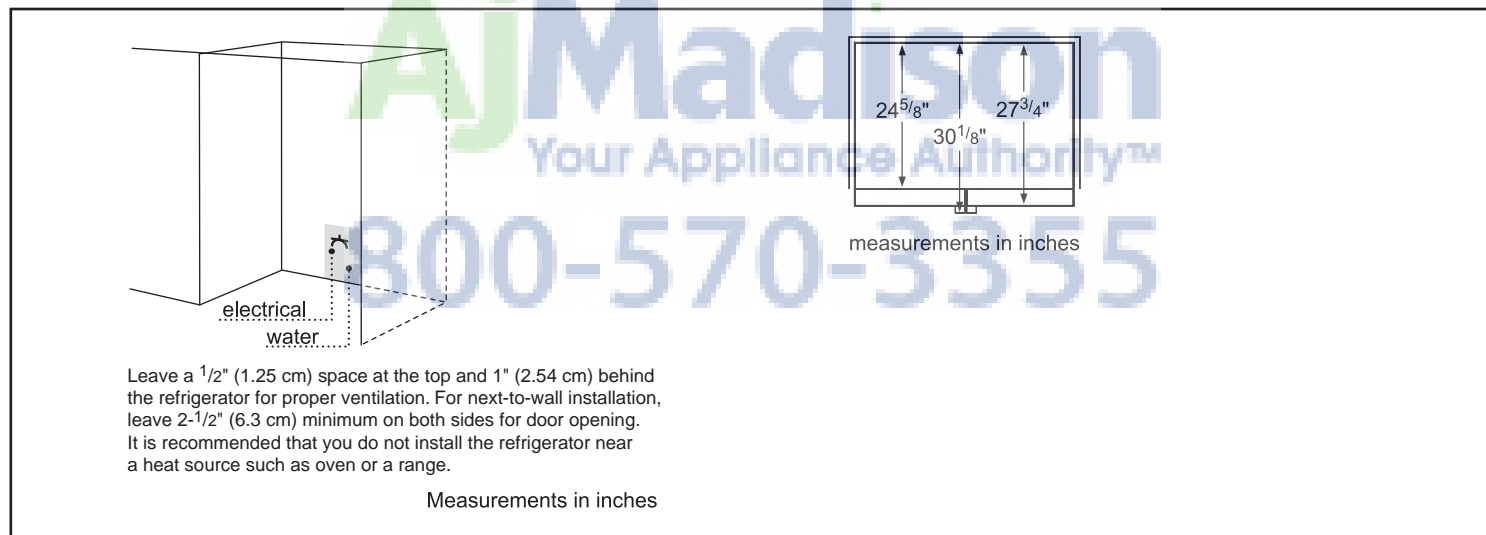
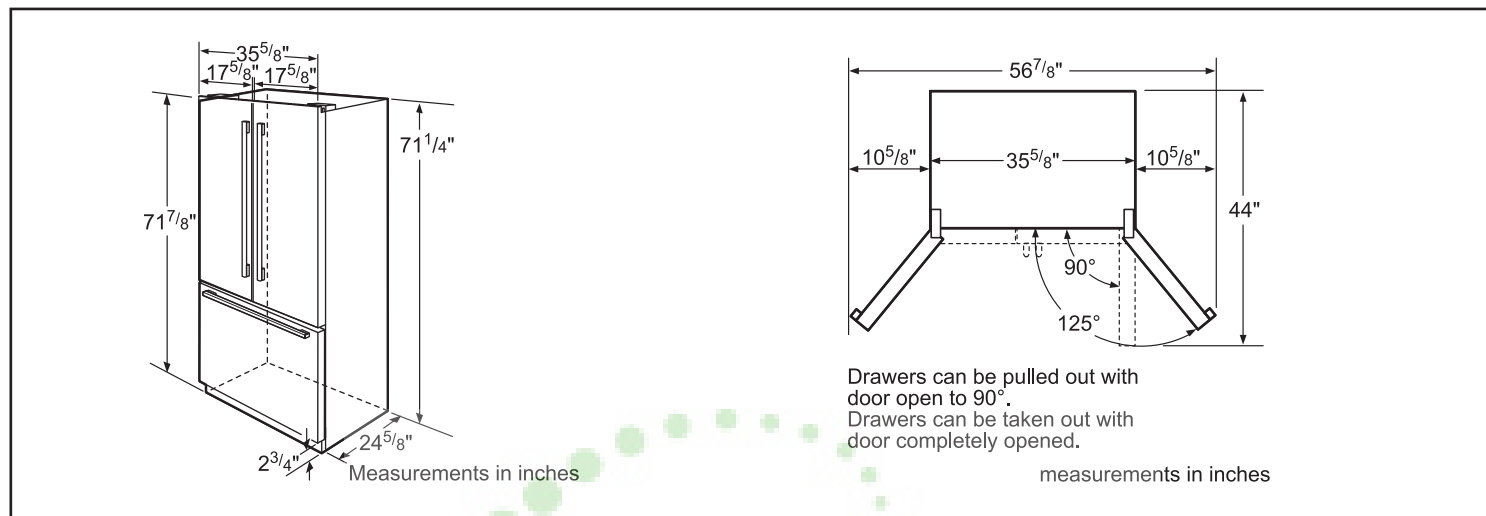
© BSH Home Appliances Corporation. All rights reserved. Bosch is a registered trademark of Robert Bosch GmbH.

# 36" Counter-Depth French Door Refrigerator

800 Series – Stainless Steel B22CT80SNS



## Installation Details



For help and assistance with Bosch accessories please visit: [www.bosch-eshop.com/eshop/bosch/us](http://www.bosch-eshop.com/eshop/bosch/us) or call 1-800-944-2904 Mon-Fri 5am to 6pm PST Sat 6am to 3pm PST

Notes: All height, width and depth dimensions are shown in inches. Please refer to installation instructions prior to making cutout. BSH reserves the absolute and unrestricted right to change product materials and specifications, at any time, without notice. Consult the product's installation instructions for final dimensional data and other details. Applicable product warranty can be found in accompanying product literature or you may contact your account manager for further details.

Warranties: Bosch warrants that the Product is free from defects in materials and workmanship for a period of three hundred and sixty-five (365) days from the date of purchase. The foregoing timeline begins to run upon the date of purchase, and shall not be stalled, tolled, extended, or suspended, for any reason whatsoever. This Product is also warranted to be free from cosmetic defects in material and workmanship (such as scratches of stainless steel, paint/porcelain blemishes, chip, dents, or other damage to the finish of the Product, for a period of thirty (30) days from the date of purchase or closing date for new construction. This cosmetic warranty excludes slight color variations due to inherent differences in painted and porcelain parts, as well as differences caused by kitchen lighting, product location, or other similar factors. This cosmetic warranty specifically excludes any display, floor, "As Is", or "B" stock appliances.

For more information on our entire line of products, go to [www.bosch-home.com/us](http://www.bosch-home.com/us) or call 1-800-944-2904

© BSH Home Appliances Corporation. All rights reserved. Bosch is a registered trademark of Robert Bosch GmbH.