



BOSCH
Invented for life



Kitchen Experience and Design Guide

Volume 5

Contents

6	Invented for Your Life
8	Designing with Bosch – Benchmark® Series Kitchen
10	Designing with Bosch – 800 Series Kitchen
12	Healthy Living
14	Small Space Living
16	Home Connect™
18	Design Philosophy
20	Cooktops
46	Built-in Wall Ovens
70	Wall Oven Design Combinations
80	Microwaves & Drawers
102	Built-in Coffee Machine
106	Ranges
124	Ventilation
150	Dishwashers
172	Refrigeration
202	24" Compact Laundry
209	Warranty
210	Experience Bosch®
211	Customer Service







> **A holistic kitchen design** considers appliances as an intrinsic part of the design process.



In today's frenetic world, Bosch lends peaceful ease to the kitchen.

More than ever, we understand design's impact not simply on style, but on well-being. Bosch appliances facilitate calm and control in the kitchen and pair, aesthetically and philosophically, with the vision of relaxed modern living. Fading from consumers' mindset are the complexities and embellishments of overly traditional kitchens. Today's modern is inviting. Easy. Peaceful. Clean and uncluttered. And Bosch home appliances fit naturally within these desired spaces.

For over a hundred years, Bosch has embraced the harmony of form and function, striving to beautifully simplify everyday life in the kitchen. After all, the kitchen is where we gather, and exhale. As lives become increasingly busy and complex, Bosch kitchens are designed to give back a little of what the day takes away. That's something everyone can appreciate. That's well-being, by design.

Invented for your life.

In the face of life's daily chaos, Bosch brings ease and peace of mind into the kitchen. Because like you, we value what makes the everyday a little easier. Rather than aspire to more, we aspire to the credo that less is more. Guided by the harmony of form and function, Bosch home appliances lend purpose and beauty into the heart of the home. Nourishing the soul like a simple meal. And helping you live more thoughtfully, simply and healthfully. Invented for no other purpose, but for the life we live.

Perceivable quality

Thoughtful design runs through every detail of every Bosch appliance. From the quiet of our dishwashers to the feel of our oven handles, it's the kind of quality that's both lasting and noticeable.



Surprisingly simple solutions

Bosch appliances are designed to be peacefully uncomplicated, bringing efficiency and joyful ease to daily tasks. Whether helping you tackle dinner faster or load the dishes easier, Bosch appliances are a day's friend not foe.

Perfect results

Thoughtful engineering and purposeful design are at the heart of every Bosch appliance, delivering perfect, effortless results—every time. From perfectly steamed veggies to perfectly clean dishes, Bosch appliances keep their promise, and that's one less thing to have to think about.



Timeless design

Authentic. Modern. Streamlined. Every Bosch appliance displays the beauty of function. That's why our designs are always timeless, never trendy.

Hollywood Modern.

Architect Dan Brunn re-imagines a Los Angeles kitchen using Bosch Benchmark® appliances.



▲ Dan Brunn, Architect

Bosch's heritage of clean, efficient design lends itself to the modern home, which calls on simple and elegant functionality to balance busy, and often chaotic, lifestyles. From his vantage point, Dan Brunn sees how kitchen design and its appliances are becoming more streamlined to provide comfort and efficiency in the home. Unobtrusive and intuitive to use, Bosch appliances aid in what Brunn calls a "re-domesticating of the kitchen," in that "the kitchen is part of the family space, and is integral in terms of its furniture."

Showcasing timeless design, Bosch appliances pare away unnecessary frills and embellishments, marrying form and function. "It's not about fashion. It's about longevity and timelessness," says Brunn. "There are no extra knobs where there shouldn't be knobs. It's a very clean palette and a very purposeful design."



> An understated black and white palette is paired with Bosch appliances for a streamlined look.

▼ **The Bosch downdraft vent** is one of Brunn's favorite appliances. It can be hidden away when you don't use it.



► **The Bosch refrigerator, freezer and dishwasher** are integrated into the cabinetry. "They're hidden to create the furniture aesthetic," says Brunn, which allows the kitchen to flow into the rest of the home.



Photography by Brandon Shigeta
Adapted from text by Jenny Xie for Dwell.com

► **A Bosch 36" Gas Cooktop and a 36" Downdraft Ventilation system** are integrated into the counter, allowing the space to feel open and unobstructed by a stove hood. Shelves hide a secret compartment where the homeowner can slide in a cutting board for easy storage.



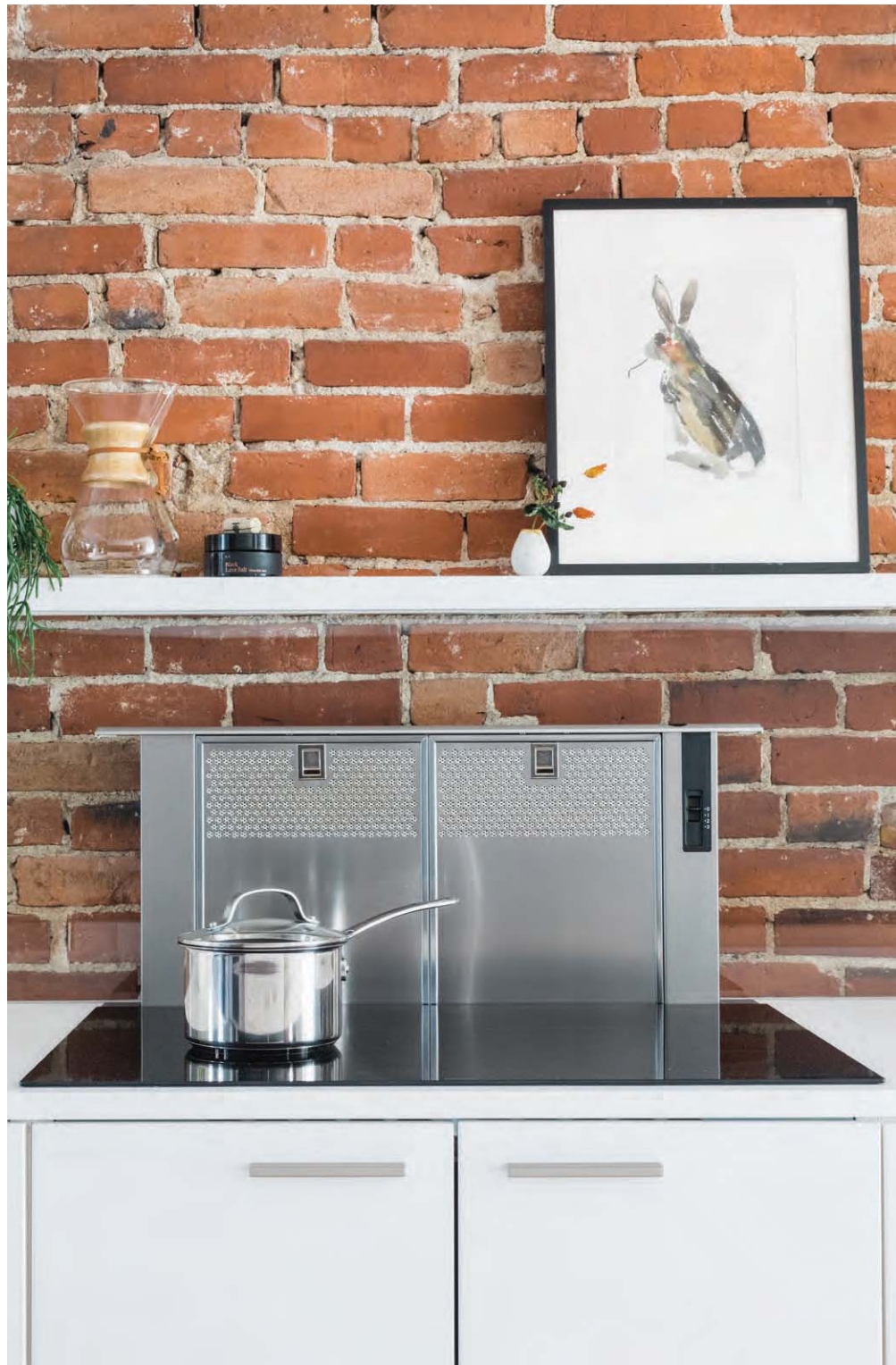
Warm minimalism.

A young couple's converted row house kitchen marries modern functionality with historic character.

Philadelphia Designer Chris Greenawalt says his clients wanted “a space that they could grow into; something modern, but that wasn't too cold.” Greenawalt created a unified, functional space with a Bosch 800 Series kitchen as its centerpiece. Relocating the kitchen along an exposed brick wall, the entire space was gutted, allowing light to flood the entire length of the house. Clean, modern lines were extended using stark white cabinets and streamlined Bosch appliances, including a recessed 30" induction cooktop. Says the homeowners, “One of the biggest decisions we made was to go with the induction cooktop. It cooks evenly, you can pinpoint the temperature, even boil water in under 60 seconds. Plus it's easy to clean.”

Greenawalt notes that Bosch “hit all of the marks while remaining at a mid-tier price point.” Having worked for a modern housing developer early in his career, Greenawalt added, “We chose Bosch appliances because buyers trusted its reputation, the look aligned with our aesthetic, and we knew we wouldn't get calls about broken appliances. Today, I'm working directly with clients and still recommend Bosch.”

➤ **The Bosch downdraft ventilation system** completely retracts when not in use.





▼ A detail of the Bosch 800 Series Oven



► A detail of the Bosch 800 Series Dishwasher, tucked discretely under the counter. Say the homeowners, "We chose Bosch appliances because we like the aesthetic, quality, reputation, and price point. After extensive research, it met all the criteria."

Photography by Joyelle West



Cook well. Live well. Be well.



Healthy living isn't simply a trend, it's a cultural lifestyle shift that's here to stay. As consumers embrace healthier eating habits, they're seeking ways to create kitchens more conducive to mindful living. Whether roasting farm fresh veggies to perfection with our built-in steam convection oven, or keeping foods fresh and nutritiously optimal with our precise humidity-controlled refrigerators, Bosch appliances make it easier to foster healthier habits in the kitchen.



▼ **Danny Seo**, Healthy Living Expert and Bosch Brand Ambassador



► "Cooking with steam is the answer to quick flavorful and healthier food."



Kitchens designed to nourish body and mind.

Raising the standards in quietness, efficiency and design, Bosch appliances help facilitate ease in the kitchen. Thoughtfully engineered features like QuietClose® doors never slam shut. SideOpening wall ovens lend ergonomic ease, alleviating the strain of removing heavy dishes. Legendary quiet dishwashers bring peace to the kitchen. Ventilation systems reassuringly remove fumes from the air. And a clean, purposeful aesthetic leaves nothing to distract the eye or clutter the mind.

Small space living. The big new movement.

Small space living is no longer seen as a sacrifice or compromise. More and more, people are choosing smaller scale living out of desire, rather than need. Designing for small spaces, especially kitchens, lends itself to embracing the beauty of simplicity and efficiency. Clean, uncluttered lines. Easy aesthetics. And smaller-scaled appliances designed in correct proportions, creating balance and harmony within the surrounding space. Bosch's suite of 18" and 24" appliances are specifically designed to fit downscaled living, without sacrificing upscale tastes. Premium in every way, Bosch small scale appliances feature the quality and performance you'd expect in full-size appliances.

► **When it comes to small spaces,** less is more. Timeless design is the secret to creating smaller habitats that don't sacrifice quality or style.



▲ **Provide streamlined beauty and efficiency** to any project with Bosch small space appliances.





▲ From our 24" wall ovens which offer up to 10 cooking modes and genuine European convection, to our 18" dishwashers with room to fit 10 full place settings, to our 24" glass door refrigerator, Bosch's small space appliances provide efficient solutions that can elevate any kitchen or laundry space, regardless of size.



Bosch small space kitchen appliances.



24" Cooktops



24" Pull-Out Visor Hoods



24" Wall Ovens



18" Dishwashers



24" Speed Ovens



24" Refrigerators

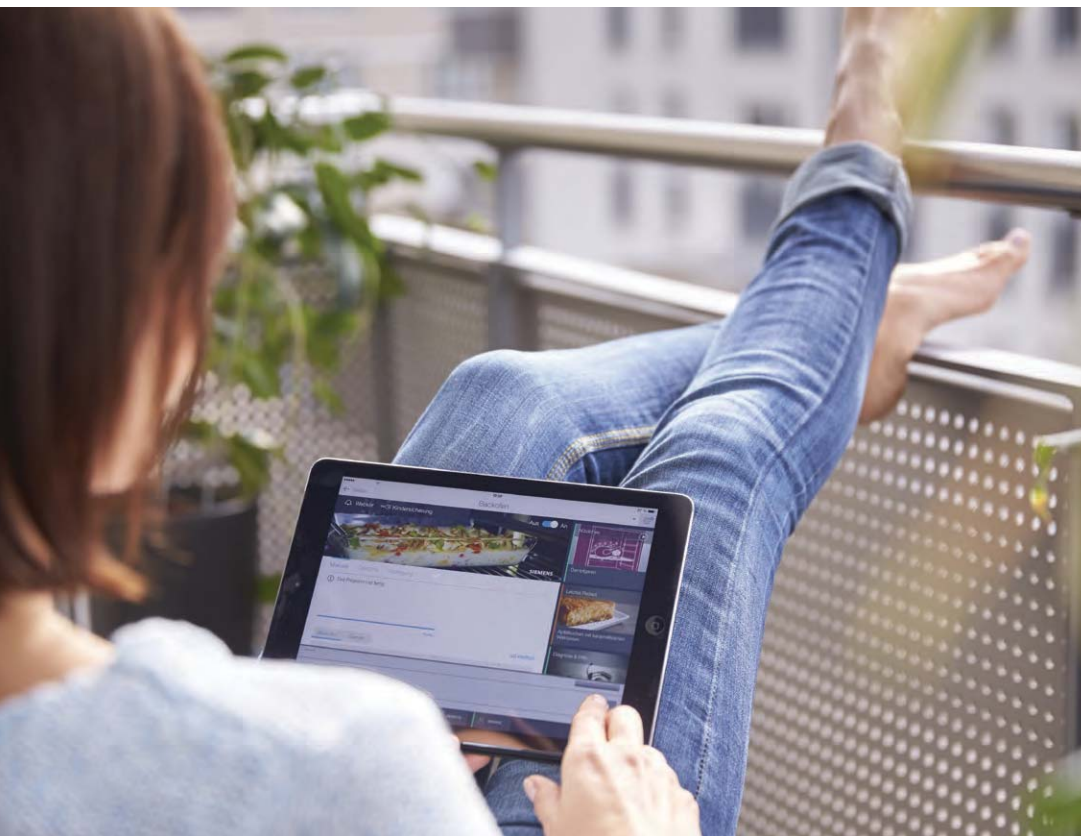


24" Compact Laundry

Welcome to the connected home.

Bosch is satisfying the ever-growing desire for a smart, connected home, with a collection of connected appliances that bring the design, innovation and efficiency you'd expect from Bosch. Home Connect™ is the intelligent platform that allows a variety of Bosch home appliances to be remotely monitored and controlled with a single app, for a new level of convenience and efficiency. From starting the dishwasher or laundry at work, to keeping an eye on dinner in the oven, to brewing a frothy latte, the Home Connect™ app allows you to be in effortless control from your smartphone or tablet. Most importantly, freeing you up to stay connected to other things that matter.

Home Connect™ partners:





Bosch design philosophy

These are the principles that guide every Bosch product .

1 Form + Function

Bosch design is equally purposeful and beautiful, creating a lasting and rewarding user experience.

2 Symmetry

Balanced, symmetrical lines offer a timeless look that's pleasing to the eye and offers a distinctive family appearance.

3 Proportions

The harmonious arrangement of varying elements result in a sophisticated, well-balanced design.

4 Materials

The use of premium materials makes our appliances visually arresting and offers a tactile sense of quality that you can feel.

5 Illumination

Subtle, purposeful illumination enhances usability while creating an emotional connection.



For over 100 years, Bosch appliances have embraced a tradition of timeless design that's both purposeful and beautiful. We see the beauty in simple, streamlined aesthetics that result from how our products are actually used.



6 Color Palette

From classic black and white, to metallic tones and red/white accent lighting, our affinity for neutral colors help seamlessly blend our appliances into a range of kitchens.

7 Alignment

Flush, well defined surface contours, unified design elements and tight panel gaps indicate an elevated level of engineering precision.

8 Subtlety

Subtle, thoughtful details delight the user in unexpected ways and improve the overall experience of our appliances.

9 Integration

From kitchen designs ranging from modern to transitional, Bosch appliances naturally integrate with any style.

10 Longevity

With enduring, timeless design and lasting quality, every Bosch appliance beautifully withstands the test of time.



Cooktops

Bosch cooktops are designed to deliver perfect results with minimal effort. Whether you chose induction, gas or electric, every Bosch cooktop combines simplicity with intuitive usability. So recipes are followed more efficiently, meals are made quickly, and cleanup happens easily. Because at the end of a long day, Bosch believes cooking should bring joy, not frustration.

“Highest in
Customer Satisfaction
with Cooktops”*
two years in a row.



*Bosch received the highest numerical score among 7 Cooktop brands in the J.D. Power 2015–2016 Kitchen Appliance Satisfaction Studies. 2016 study based on 15,904 total responses, measuring customer opinions about their new appliance purchased in the previous 12 months, surveyed January–March 2016. Your experiences may vary. Visit jdpower.com.



Benchmark® Cooktops

Our Benchmark® cooktops offer three powerful and versatile ways to cook—induction, electric or gas.

Induction



FlexInduction®

FlexInduction® allows you to combine two cooking zones into one to accommodate large pans or griddles perfectly. Or, use the cooking zones individually. Either way, enjoy even cooking—no matter the size of your pan.



PowerMove™

Let's you divide your FlexInduction® cooktop into three conveniently preset power level zones. Simply slide cookware across the cooktop into a different zone to adjust the temperature. It's great for recipes with various stages of cooking required.

Electric



Flexible cooking options

With 5 burners, including an 11" 3,080-watt triple-ring heating element, our 36" Benchmark® electric cooktop provides the ultimate flexibility when cooking.



AutoChef®

Never burn another meal again. AutoChef® applies the perfect amount of heat, without having to fidget with temperature settings. From making pancakes to searing steak, it takes the guesswork out of cooking.

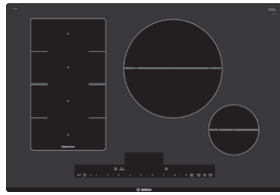
Gas



Dual-stacked burner

Our Benchmark® gas cooktop features a powerful 20,000 BTU center, dual-stacked burner that delivers faster boiling and low simmering for greater cooking flexibility.

Benchmark® Induction Cooktops



30" Benchmark®
NITP068UC (Frameless)
NITP068SUC (Frame)

- FlexInduction® Element
- 11" Cooking Zone
- PowerMove™
- SpeedBoost®



36" Benchmark®
NITP668UC (Frameless)
NITP668SUC (Frame)

- FlexInduction® Element
- +12" Dual-Ring Center Cooking Zone
- PowerMove™
- SpeedBoost®



+ Indicates a step-up feature

	30"	36"
	Black – NITP068UC Black with Stainless Steel Frame – NITP068SUC	Black – NITP668UC Black with Stainless Steel Frame – NITP668SUC
Element Performance		
Power of full zone left & right heating element (in boost)	N/A	3,300 W (3,600 W)
Power of full zone left heating element (in boost)	3,300 W (3,600 W)	N/A
Power of front left heating element (in boost)	2,200 W (3,600 W)	2,200 W (3,600 W)
Power of back left heating element (in boost)	2,200 W (3,600 W)	2,200 W (3,600 W)
Power of center heating element (in boost)	N/A	3,300 / 2,200 W (3,700 / 3,400 W)
Power of back right heating element (in boost)	2,600 W (3,700 W)	2,200 W (3,600 W)
Power of front right heating element (in boost)	1,400 W (2,200 W)	2,200 W (3,600 W)
Burners with booster	All*	All**
Element Size		
Dimension of front left heating element	8" x 9"	7" x 8"
Dimension of back left heating element	8" x 9"	7" x 8"
Dimension of center heating element	N/A	12", 9"
Dimension of back right heating element	11"	7" x 8"
Dimension of front right heating element	6"	7" x 8"
Technical Details		
Watts	7,200 W	11,100 W
Circuit breaker	30 A	50 A
Volts	208 – 240 V	208 – 240 V
Frequency	60 Hz	60 Hz
Plug type	No plug	No plug
Power cord length	37"	37"
Energy source	Electric	Electric
Dimensions & Weight		
Overall appliance dimensions (HxWxD)	1/4" +4 1/8" x 31" x 21 1/4"	5/16" +4 1/8" x 37" x 21 1/4"
Required cutout size (HxWxD)	4 1/8" x 28 7/8" x 20"	4 1/8" x 34 7/8" x 20"
Minimum distance from counter front	2 1/4"	2 1/4"
Minimum distance from rear wall	2"	2"
Net weight	43 lbs	53 lbs

*For 30" model Boost function may be used simultaneously in 2 zones only. See User Manual.

**For 36" model Boost function may be used simultaneously in 3 zones only. See User Manual.

Optional Accessories



HEZ390512
Teppanyaki



HEZ390210
8" AutoChef® Pan
for 6" Element



HEZ390220
9" AutoChef® Pan*
for 7" Element

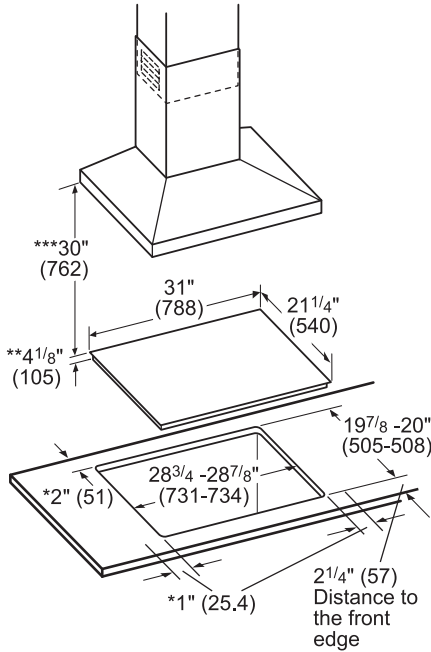


HEZ390230
10" AutoChef® Pan
for 8" and 9" Elements

*For use with 36" models

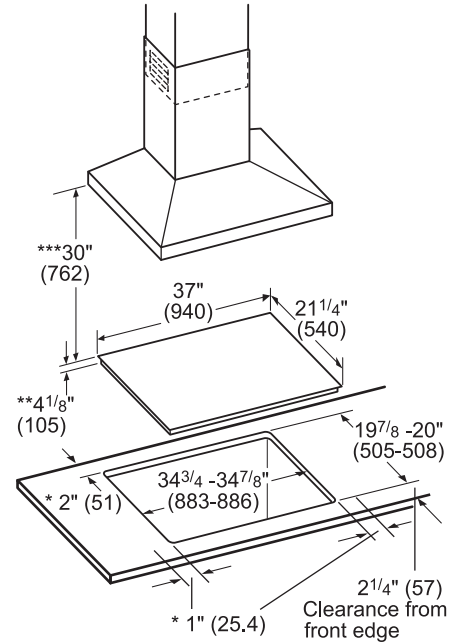
Benchmark® Induction Cooktops

30" Cooktop and Cutout Dimensions



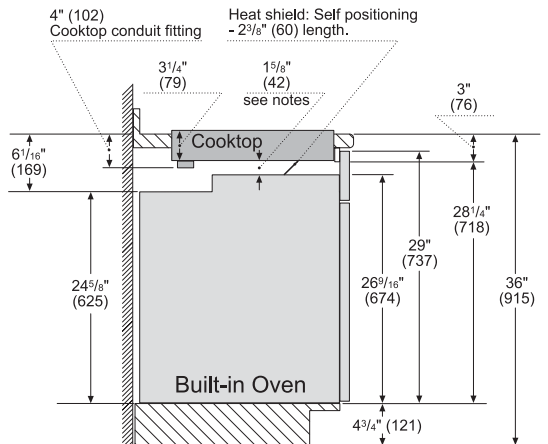
- * Minimum distance from the cooktop cutout to the wall
 - ** Installed depth includes 1" (26 mm) air clearance
 - *** Minimum distance between surface of the cooktop and lower edge of the exhaust hood.
- Dimensions in inches (mm)

36" Cooktop and Cutout Dimensions



- * Minimum clearance from the cooktop cutout to the wall
 - ** Installed depth includes gap of 1" (26 mm) to the ventilation
 - *** Minimum clearance between surface of the cooktop and lower edge of the exhaust hood.
- measurements in inches (mm)

30" & 36" Cooktop Installation Above Wall Oven



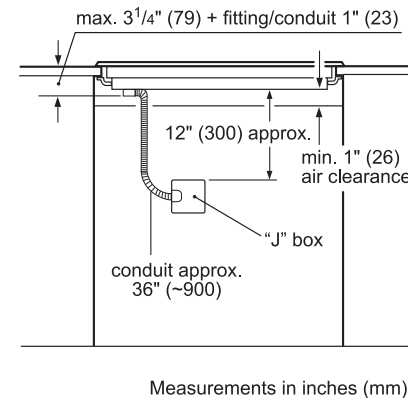
Notes:

Dimensions based on standard countertop height (36" with 4 3/4" toe kick including base plate).

The built-in oven can be installed below the induction cooktop as long as there is a minimum 1" (26) clearance between the bottom of the cooktop and the top of the oven.

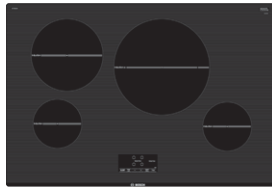
measurements in inches (mm)

Electrical Location



Measurements in inches (mm)

500 / 800 Series 30" Induction Cooktops



30" 500 Series
NIT5068UC

- 11" Cooking Zone
- 17 Power Levels
- Each Cooking Zone Has an Independent Countdown Timer
- SpeedBoost®



30" 800 Series
NIT8068UC (Frameless)
NIT8068SUC (Frame)

- + AutoChef®
- + PreciseSelect® Control
- + Framed and Frameless Options



+ Indicates a step-up feature

	500 Series	800 Series
	Black – NIT5068UC	Black – NIT8068UC Black with Stainless Steel Frame – NIT8068SUC
Element Performance		
Power of front left heating element	1,400 W	1,400 W
Power of front left heating element (in boost)	2,200 W	2,200 W
Power of back left heating element	2,200 W	2,200 W
Power of back left heating element (in boost)	3,700 W	3,700 W
Power of back right heating element	2,600 W	2,600 W
Power of back right heating element (in boost)	3,700 W	3,700 W
Power of front right heating element	1,400 W	1,400 W
Power of front right heating element (in boost)	2,200 W	2,200 W
Burners with booster	All	All
Element Size		
Dimension of front left heating element	6"	6"
Dimension of back left heating element	9"	9"
Dimension of back right heating element	11"	11"
Dimension of front right heating element	6"	6"
Technical Details		
Watts	7,200 W	7,200 W
Circuit breaker	30 A	30 A
Volts	208 – 240 V	208 – 240 V
Frequency	60 Hz	60 Hz
Plug type	No plug	No plug
Power cord length	37"	37"
Energy source	Electric	Electric
Dimensions & Weight		
Overall appliance dimensions (HxWxD)	1/4" +4 1/8" x 31" x 21 1/4"	1/4" +4 1/8" x 31" x 21 1/4"
Required cutout size (HxWxD)	4 1/8" x 28 7/8" x 20"	4 1/8" x 28 7/8" x 20"
Minimum distance from counter front	2 1/4"	2 1/4"
Minimum distance from rear wall	2"	2"
Net weight	41 lbs	41 lbs

Optional Accessories



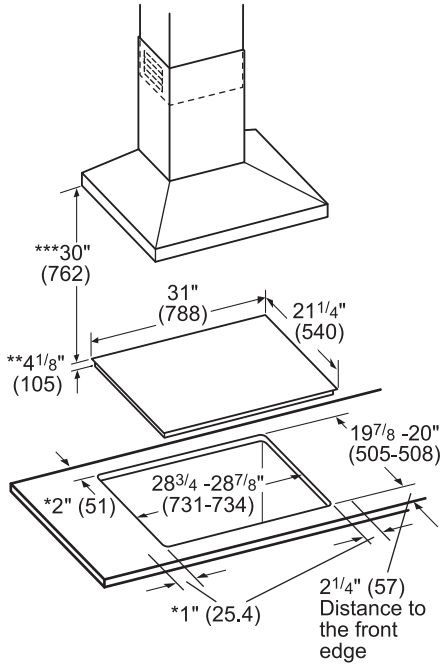
HEZ390210
8" AutoChef® Pan
for 6" Element



HEZ390230
10" AutoChef® Pan
for 8" and 9" Elements

500 / 800 Series 30" Induction Cooktops

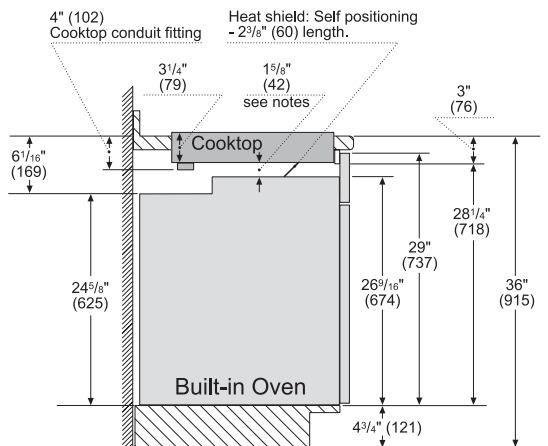
Cooktop and Cutout Dimensions



- * Minimum distance from the cooktop cutout to the wall
- ** Installed depth includes 1" (26 mm) air clearance
- *** Minimum distance between surface of the cooktop and lower edge of the exhaust hood.

Dimensions in inches (mm)

30" Cooktop Installation Above Wall Oven



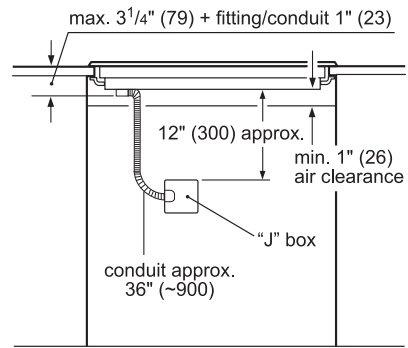
Notes:

Dimensions based on standard countertop height (36" with 4 3/4" toe kick including base plate).

The built-in oven can be installed below the induction cooktop as long as there is a minimum 1" (26) clearance between the bottom of the cooktop and the top of the oven.

measurements in inches (mm)

Electrical Location



Measurements in inches (mm)

500 / 800 Series 36" Induction Cooktops



36" 500 Series
NIT5668UC

- 12" Dual-Ring Center Cooking Zone
- 17 Power Levels
- Each Cooking Zone Has an Independent Countdown Timer
- SpeedBoost®



36" 800 Series
NIT8668UC (Frameless)
NIT8668SUC (Frame)

- + AutoChef®
- + Framed and Frameless Options



+ Indicates a step-up feature

	500 Series	800 Series
	Black – NIT5668UC	Black – NIT8668UC Black with Stainless Steel Frame – NIT8668SUC
Element Performance		
Power of front left heating element (in boost)	1,800 W (3,100 W)	1,800 W (3,100 W)
Power of back left heating element (in boost)	1,800 W (3,100 W)	1,800 W (3,100 W)
Power of center heating element (in boost)	3,300 / 2,200 W (5,400 / 3,700 W)	3,300 / 2,200 W (5,400 / 3,700 W)
Power of back right heating element (in boost)	1,400 W (2,200 W)	1,400 W (2,200 W)
Power of front right heating element (in boost)	2,200 W (3,700 W)	2,200 W (3,700 W)
Burners with booster	All	All
Element Size		
Dimension of front left heating element	7"	7"
Dimension of back left heating element	7"	7"
Dimension of center heating element	12", 9"	12", 9"
Dimension of back right heating element	6"	6"
Dimension of front right heating element	9"	9" / 8"
Technical Details		
Watts	9,600 W	9,600 W
Circuit breaker	40 A	40 A
Volts	208 – 240 V	208 – 240 V
Frequency	60 Hz	60 Hz
Plug type	No plug	No plug
Power cord length	37"	37"
Energy source	Electric	Electric
Dimensions & Weight		
Overall appliance dimensions (HxWxD)	5/16" +4 1/8" x 37" x 21 1/4"	5/16" +4 1/8" x 37" x 21 1/4"
Required cutout size (HxWxD)	4 1/8" x 34 7/8" x 20"	4 1/8" x 34 7/8" x 20"
Minimum distance from counter front	2 1/4"	2 1/4"
Minimum distance from rear wall	2"	2"
Net weight	53 lbs	53 lbs

Optional Accessories



HEZ390210
8" AutoChef® Pan
for 6" Element



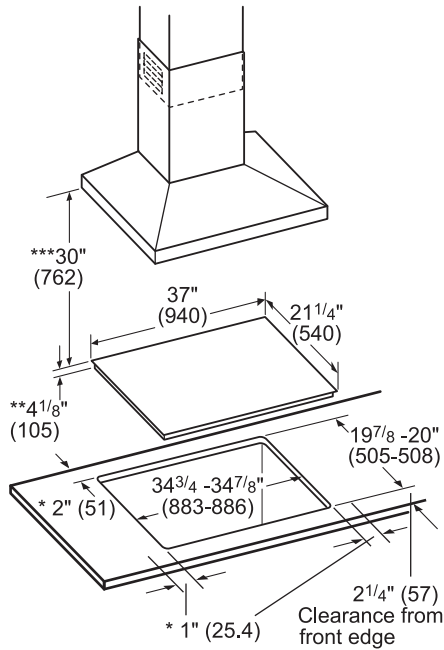
HEZ390220
9" AutoChef® Pan
for 7" Element



HEZ390230
10" AutoChef® Pan
for 8" and 9" Elements

500 / 800 Series 36" Induction Cooktops

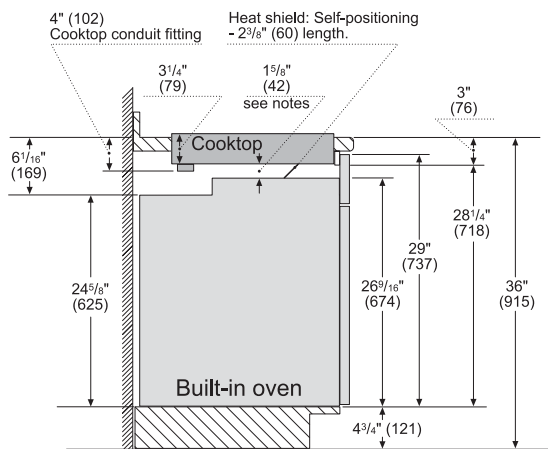
Cooktop and Cutout Dimensions



- * Minimum clearance from the cooktop cutout to the wall
- ** Installed depth includes gap of 1" (26 mm) to the ventilation
- *** Minimum clearance between surface of the cooktop and lower edge of the exhaust hood.

measurements in inches (mm)

36" Cooktop Installation Above Wall Oven



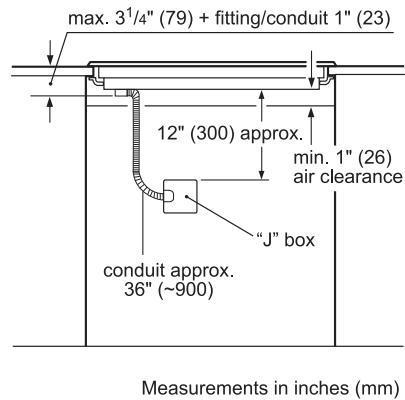
Notes:

Dimensions based on standard countertop height (36" with 4 3/4" toe kick including base plate).

The built-in oven can be installed below the induction cooktop as long as there is a minimum 1" (26) clearance between the bottom of the cooktop and the top of the oven.

measurements in inches (mm)

Electrical Location



Measurements in inches (mm)

Benchmark® Gas Cooktops



30" Benchmark®
NGMP055UC

- 20K Max. BTU Performance
- 5 Burners
- Dual-Stacked Hi / Lo Burner
- Distinctive Red Led Light Burner Indicators



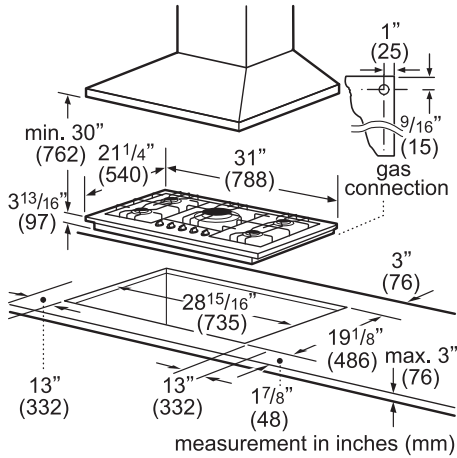
36" Benchmark®
NGMP655UC

- 20K Max. BTU Performance
- 5 Burners
- Dual-Stacked Hi / Lo Burner
- Distinctive Red Led Light Burner Indicators

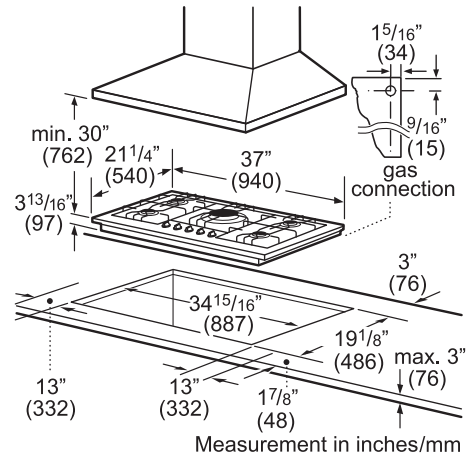
	30"	36"
	Stainless Steel – NGMP055UC	Stainless Steel – NGMP655UC
General Properties		
Knob material	Metal	Metal
Sealed burners	Yes	Yes
Grate material	Cast iron	Cast iron
Element Performance		
Total BTU load (NG / LP)	49,200 / 43,200	59,500 / 47,300
Power of front left burner (NG / LP)	9,100 / 9,100	12,000 / 9,100
Power of back left burner (NG / LP)	5,500 / 5,000	12,000 / 9,100
Power of center burner (NG / LP)	20,000 / 15,000	20,000 / 15,000
Power of back right burner (NG / LP)	9,100 / 9,100	5,500 / 5,000
Power of front right burner (NG / LP)	5,500 / 5,000	12,000 / 9,100
Technical Details		
Watts	360 W	360 W
Circuit breaker	15 A	15 A
Volts	120 V	120 V
Frequency	60 Hz	60 Hz
Plug type	3 prong	3 prong
Power cord length	60"	60"
Energy source	Gas	Gas
Convertible to LP (kit required)	Yes	Yes
Dimensions & Weight		
Overall appliance dimensions (HxWxD)	3 13/16" x 31" x 21 1/4"	3 13/16" x 37" x 21 1/4"
Required cutout size (HxWxD)	3 13/16" x 28 15/16" x 19 1/8"	3 13/16" x 34 15/16" x 19 1/8"
Minimum distance from counter front	1 7/8"	1 7/8"
Minimum distance from rear wall	3"	3"
Net weight	38 lbs	39 lbs
Accessories – Included		
Included	LP conversion kit	LP conversion kit

Benchmark® Gas Cooktops

30" Cooktop and Cutout Dimensions

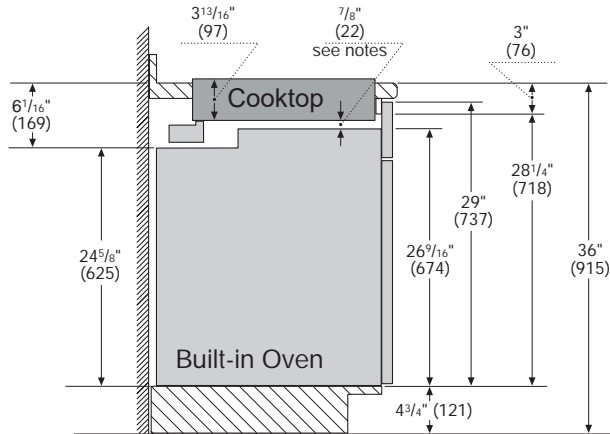


36" Cooktop and Cutout Dimensions



Cooktop Installation Above Wall Oven

36" Built-in oven - under gas cooktop



Notes

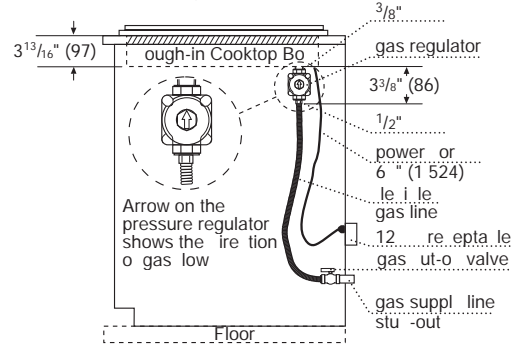
Dimensions are based on standard countertop height (36" with 4 3/4" toe kick in including base plate)

The built-in oven can be installed below the gas cooktop as long as there is no contact between the bottom of the cooktop and the top of the oven

Measurements in inches (mm)

Gas Location

Side View Gas Cooktop Installation



Measurements in inches (mm)

500 Series 24" Gas Cooktop



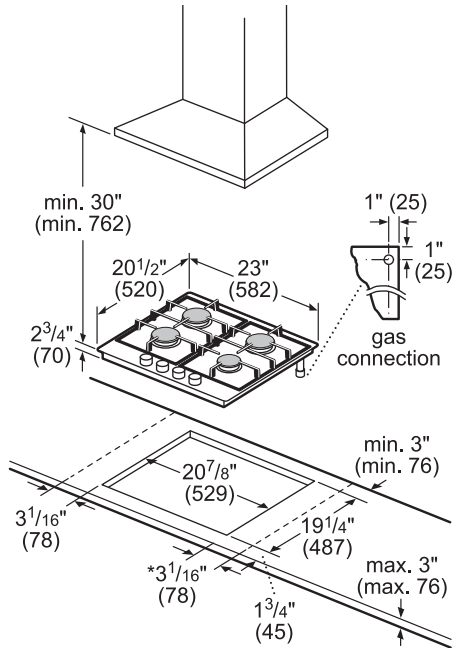
24" 500 Series
NGM5455UC

- 11.5K Max. BTU Performance
- 4 Burners
- Metal Knobs

500 Series	
Stainless Steel – NGM5455UC	
General Properties	
Knob material	Metal
Sealed burners	Yes
Grate material	Cast iron
Element Performance	
Total BTU load (NG / LP)	30,600 / 27,000
Power of front left burner (NG / LP)	5,000 / 5,000
Power of back left burner (NG / LP)	9,100 / 7,000
Power of center burner (NG / LP)	N/A
Power of back right burner (NG / LP)	11,500 / 10,000
Power of front right burner (NG / LP)	5,000 / 5,000
Technical Details	
Watts	360 W
Circuit breaker	15 A
Volts	120 V
Frequency	60 Hz
Plug type	3 prong
Power cord length	60"
Energy source	Gas
Convertible to LP (kit required)	Yes
Dimensions & Weight	
Overall appliance dimensions (HxWxD)	3 ³ / ₄ " x 23" x 20 ¹ / ₂ "
Required cutout size (HxWxD)	2 ³ / ₄ " x 20 ⁷ / ₈ " x 19 ¹ / ₄ "
Minimum distance from counter front	1 ³ / ₄ "
Minimum distance from rear wall	3"
Net weight	31 ¹ / ₂ lbs
Accessories – Included	
Included	LP conversion kit

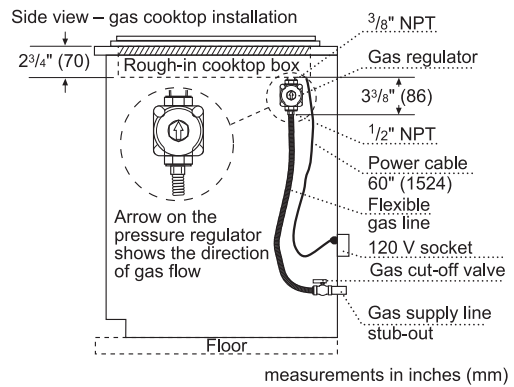
500 Series 24" Gas Cooktop

24" Cooktop and Cutout Dimensions

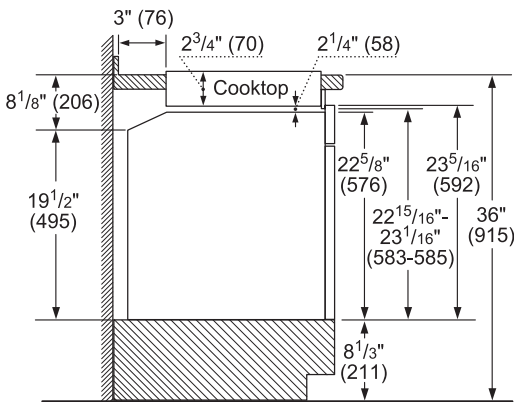


* 5 1/16" required when installed with a built-in oven. Reference the Bosch under cooktop built-in guide for more details.

24" Cooktop Gas Location



Cooktop Installation Above Wall Oven



Notes: Dimensions based on standard countertop height (36" with 4 3/4" toe kick including base plate).

The built-in oven can be installed below the cooktop as long as there is at least 2 1/4" (58) of space between the bottom flat surface of the cooktop and the top of the oven.

Please allow at least 2" (51) from the countertop front edge to the edge of the cutout.

measurements in inches (mm)

500 / 800 Series 30" Gas Cooktops



30" 500 Series
NGM5055UC

- 16K Max. BTU Performance
- Black Metal Knobs



30" 800 Series
NGM8055UC (Stainless Steel)
NGM8065UC (Black)

- + 18K Max. BTU Performance
- + 5 Burners
- + Distinctive Red Led Light Burner Indicators
- + Stainless Steel Knobs (Black Metal Knobs on Black Model)

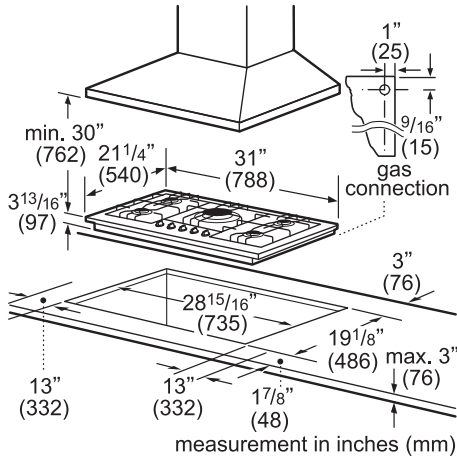


+ Indicates a step-up feature

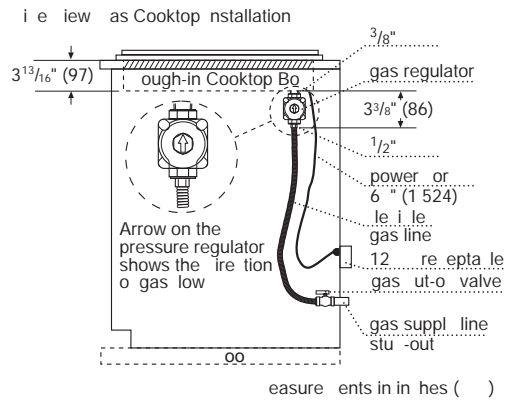
	500 Series	800 Series
	Stainless Steel – NGM5055UC	Stainless Steel – NGM8055UC Black – NGM8065UC
General Properties		
Knob material	Metal	Metal
Sealed burners	Yes	Yes
Grate material	Cast iron	Cast iron
Element Performance		
Total BTU load (NG / LP)	41,500 / 38,200	47,200 / 43,200
Power of front left burner (NG / LP)	10,000 / 9,100	9,100 / 9,100
Power of back left burner (NG / LP)	10,000 / 9,100	5,500 / 5,000
Power of center burner (NG / LP)	N/A	18,000 / 15,000
Power of back right burner (NG / LP)	5,500 / 5,000	9,100 / 9,100
Power of front right burner (NG / LP)	16,000 / 15,000	5,500 / 5,000
Technical Details		
Watts	360 W	360 W
Circuit breaker	15 A	15 A
Volts	120 V	120 V
Frequency	60 Hz	60 Hz
Plug type	3 prong	3 prong
Power cord length	60"	60"
Energy source	Gas	Gas
Convertible to LP (kit required)	Yes	Yes
Dimensions & Weight		
Overall appliance dimensions (HxWxD)	3 13/16" x 31" x 21 1/4"	3 13/16" x 31" x 21 1/4"
Required cutout size (HxWxD)	3 13/16" x 28 15/16" x 19 1/8"	3 13/16" x 28 15/16" x 19 1/8"
Minimum distance from counter front	1 7/8"	1 7/8"
Minimum distance from rear wall	3"	3"
Net weight	37 lbs	37 lbs
Accessories – Included		
Included	LP conversion kit	LP conversion kit

500 / 800 Series 30" Gas Cooktops

30" Cooktop and Cutout Dimensions

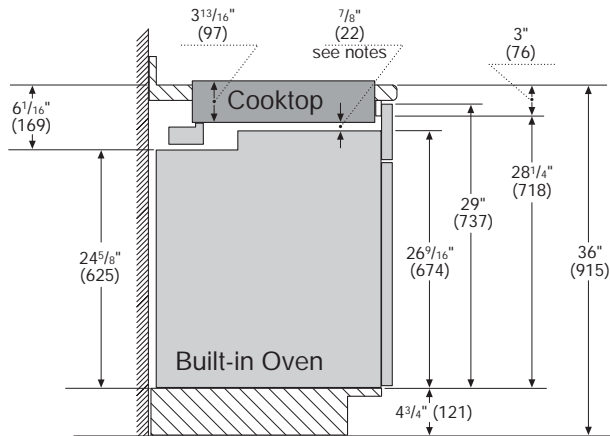


30" Cooktop Gas Location



Cooktop Installation Above Wall Oven

30" Built-in oven - under gas cooktop



Notes

Dimensions are based on standard countertop height (36" with 4 3/4" toe kick including base plate)

The built-in oven can be installed below the gas cooktop as long as there is no contact between the bottom of the cooktop and the top of the oven

measurements in inches (mm)

500 / 800 Series 36" Gas Cooktops



36" 500 Series
NGM5655UC

- 16K Max. BTU Performance
- Black Metal Knobs



36" 800 Series
NGM8655UC (Stainless Steel)
NGM8665UC (Black)

- + 18K Max. BTU Performance
- + 5 Burners
- + Distinctive Red Led Light Burner Indicators
- + Stainless Steel Knobs (Black Metal Knobs on Black Model)

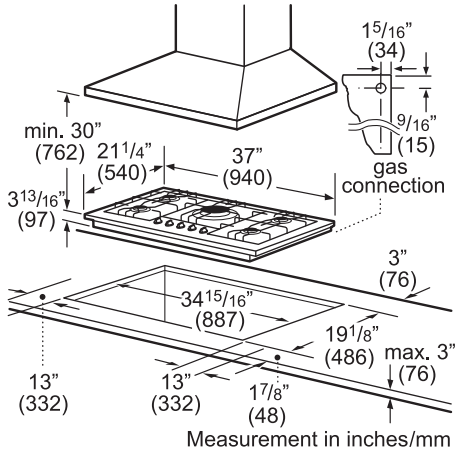


+ Indicates a step-up feature

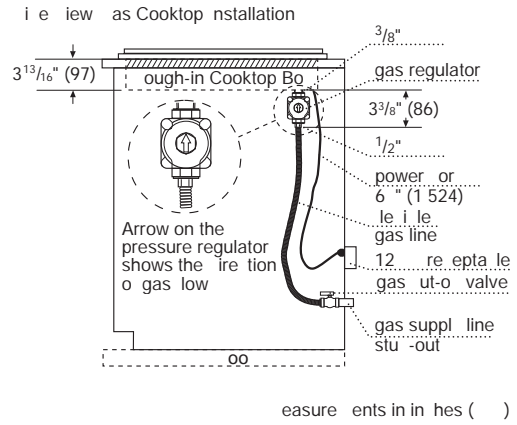
	500 Series	800 Series
	Stainless Steel – NGM5655UC	Stainless Steel – NGM8655UC Black – NGM8665UC
General Properties		
Knob material	Metal	Metal
Sealed burners	Yes	Yes
Grate material	Cast iron	Cast iron
Element Performance		
Total BTU load (NG / LP)	57,500 / 47,300	59,500 / 47,300
Power of front left burner (NG / LP)	12,000 / 9,100	12,000 / 9,100
Power of back left burner (NG / LP)	12,000 / 9,100	12,000 / 9,100
Power of center burner (NG / LP)	16,000 / 15,000	18,000 / 15,000
Power of back right burner (NG / LP)	5,500 / 5,000	5,500 / 5,000
Power of front right burner (NG / LP)	12,000 / 9,100	12,000 / 9,100
Technical Details		
Watts	360 W	360 W
Circuit breaker	15 A	15 A
Volts	120 V	120 V
Frequency	60 Hz	60 Hz
Plug type	3 prong	3 prong
Power cord length	60"	60"
Energy source	Gas	Gas
Convertible to LP (kit required)	Yes	Yes
Dimensions & Weight		
Overall appliance dimensions (HxWxD)	3 13/16" x 37" x 21 1/4"	3 13/16" x 37" x 21 1/4"
Required cutout size (HxWxD)	3 13/16" x 34 15/16" x 19 1/8"	3 13/16" x 34 15/16" x 19 1/8"
Minimum distance from counter front	1 7/8"	1 7/8"
Minimum distance from rear wall	3"	3"
Net weight	39 lbs	39 lbs
Accessories – Included		
Included	LP conversion kit	LP conversion kit

500 / 800 Series 36" Gas Cooktops

Cooktop and Cutout Dimensions

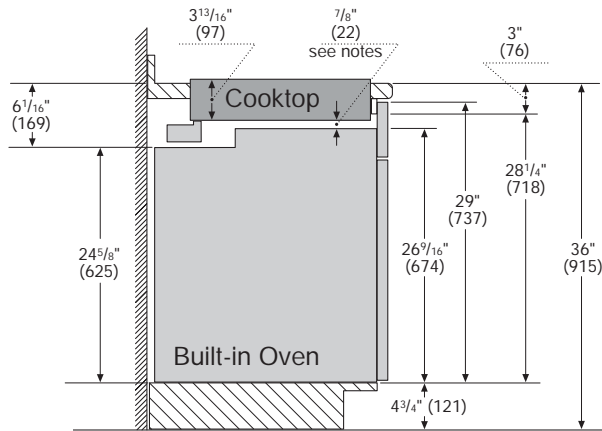


Gas Location



Cooktop Installation Above Wall Oven

36" Built-in oven - under gas cooktop



Notes

Dimensions are based on standard countertop height (36" with 4 3/4" toe kick including base plate)

The built-in oven can be installed below the gas cooktop as long as there is no contact between the bottom of the cooktop and the top of the oven

Measurements in inches ()

Benchmark® Electric Cooktops



30" Benchmark®
NETP068SUC

- Five Elements
- 9", 3,600 W Dual-Ring Element
- 7", 2,000 W Dual-Ring Element
- AutoChef®
- SpeedBoost®



36" Benchmark®
NETP668SUC

- Five Elements
- 11", 3,080 W Triple-Ring Element
- 8", 1,900 W Dual-Ring Element
- AutoChef®
- Bridge Element

	30"	36"
	Black with Stainless Steel Frame – NETP068SUC	Black with Stainless Steel Frame – NETP668SUC
Element Performance		
Power of front left heating element	2,000 / 800 W	1,800 W
Power of back left heating element	1,200 W	1,800 W
Power of center heating element	3,600 / 1,400 W	3,080 / 2,200 / 1,050 W
Power of back right heating element	1,200 W	1,200 W
Power of front right heating element	1,500 W	1,900 / 800 W
Element Size		
Dimension of front left heating element	7", 5"	7"
Dimension of back left heating element	6"	7"
Dimension of center heating element	9", 6"	11", 8", 6"
Dimension of back right heating element	6"	6"
Dimension of front right heating element	7"	8", 5"
Technical Details		
Watts	9,000 W	9,700 W
Circuit breaker	40 A	40 A
Volts	208 – 240 V	208 – 240 V
Frequency	60 Hz	60 Hz
Plug type	No plug	No plug
Energy source	Electric	Electric
Dimensions & Weight		
Overall appliance dimensions (HxWxD)	1/4" +4" x 31" x 21 1/4"	1/4" +4" x 37" x 21 1/4"
Required cutout size (HxWxD)	4" x 28 7/8" x 20"	4" x 34 7/8" x 20"
Minimum distance from counter front	2 1/4"	2 1/4"
Minimum distance from rear wall	2"	2"
Net weight	32 lbs	33 lbs

Optional Accessories



HEZ390210
8" AutoChef® Pan
for 6" Element



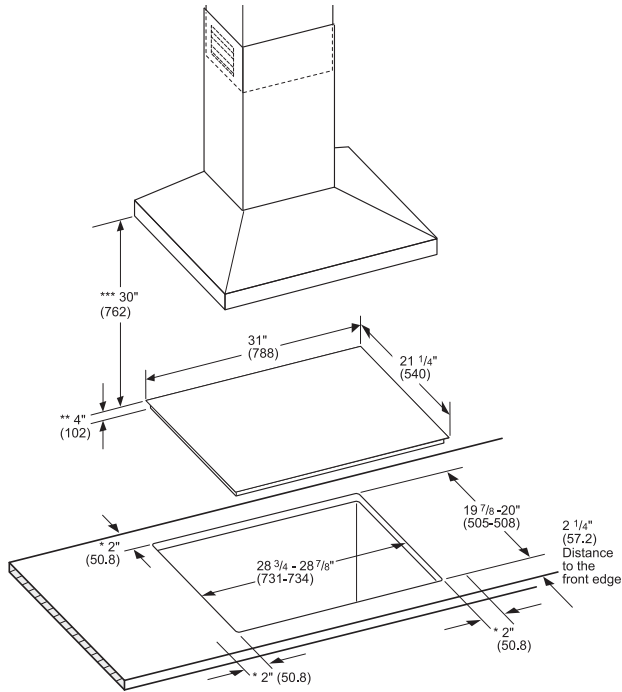
HEZ390220
9" AutoChef® Pan
for 7" Element



HEZ390230
10" AutoChef® Pan
for 8" and 9" Elements

Benchmark® Electric Cooktops

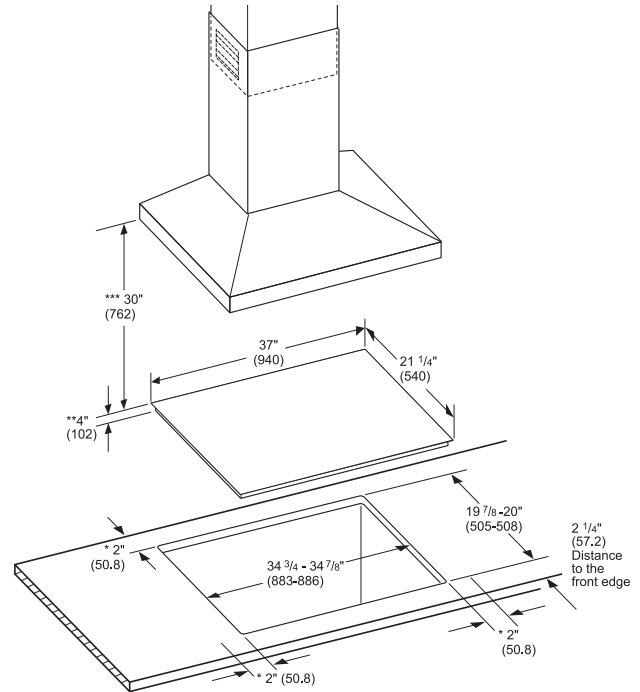
30" Cooktop and Cutout Dimensions



- * Minimum distance from the cooktop cutout to the wall
- ** Maximum cutout depth
- *** Minimum distance between the cooktop surface and lower edge of the exhaust hood.

Dimensions in inches (mm)

36" Cooktop and Cutout Dimensions

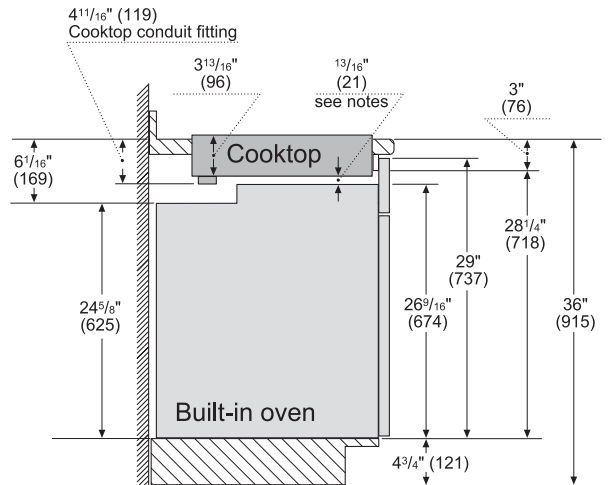


- * Minimum distance from the cooktop cutout to the wall
- ** Maximum cutout depth
- *** Minimum distance between the cooktop surface and lower edge of the exhaust hood.

Dimensions in inches (mm)

Cooktop Installation Above Wall Oven

30" Built-in oven – under electric cooktop



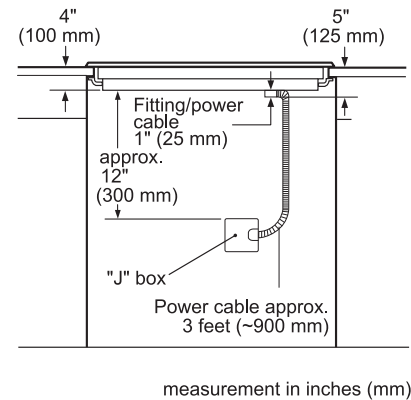
Notes:

Dimensions based on standard countertop height (36" with 4 3/4" toe kick including base plate).

The built-in oven can be installed below the electric cooktop as long as there is no contact between the bottom of the cooktop and the top of the oven.

measurements in inches (mm)

Electrical Location



measurement in inches (mm)

500 Series 24" Electric Cooktop



24" 500 Series
NEM5466UC

- 8", 2,200 W Element
- 6", 1,850 W Element
- Residual Heat Indicator
- Stainless Steel Color Knobs

500 Series	
Black Frameless – NEM5466UC	
General Properties	
Knob material	Plastic
Element Performance	
Power of front left heating element	1,850 W
Power of back left heating element	2,200 W
Power of back right heating element	1,200 W
Power of front right heating element	1,800 W
Element Size	
Dimension of front left heating element	6"
Dimension of back left heating element	8"
Dimension of back right heating element	6"
Dimension of front right heating element	7"
Technical Details	
Watts	7,100 W
Circuit breaker	30 A
Volts	208–240 V
Frequency	60 Hz
Plug type	No plug
Energy source	Electric
Dimensions & Weight	
Overall appliance dimensions (HxWxD)	1/8" + 4 1/3" x 23" x 20 1/5"
Required cutout size (HxWxD)	4 1/3" x 22" x 19 1/4"
Minimum distance from counter front	2 1/4"
Minimum distance from rear wall	2"
Net weight	24 lbs

Optional Accessories



HEZ390210
8" AutoChef® Pan
for 6" Element



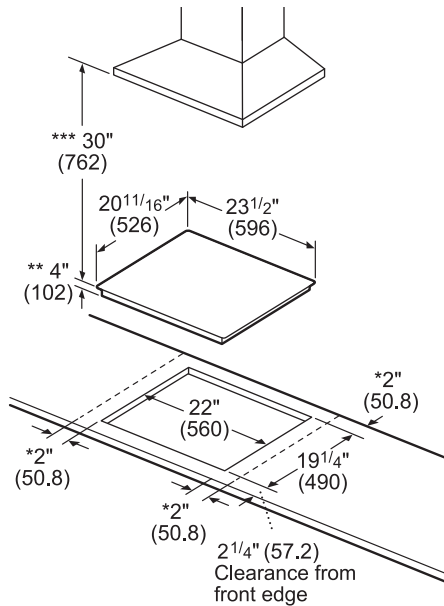
HEZ390220
9" AutoChef® Pan
for 7" Element



HEZ390230
10" AutoChef® Pan
for 8" and 9" Elements

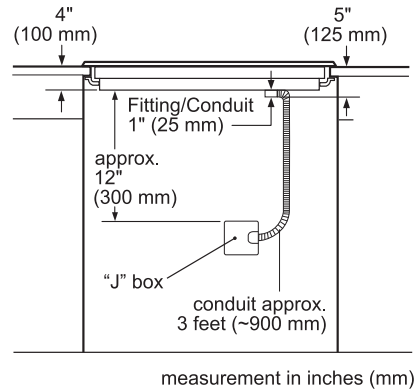
500 Series 24" Electric Cooktop

Cooktop and Cutout Dimensions

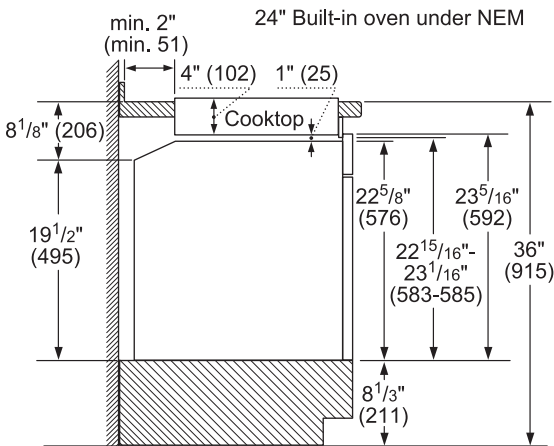


- * Minimum clearance from the cooktop cutout to the wall
 - ** Maximum cutout depth
 - *** Minimum clearance between the cooktop surface and lower edge of the exhaust hood.
- measurements in inches (mm)

Gas Location



Cooktop Installation Above Wall Oven



Notes: Dimensions based on standard countertop height (36" with 4 3/4" toe kick including base plate).

The built-in oven can be installed below the cooktop as long as there is at least 1" (25) of space between the bottom flat surface of the cooktop and the top of the oven.

Please allow at least 2" (51) from the countertop front edge to the edge of the cutout.

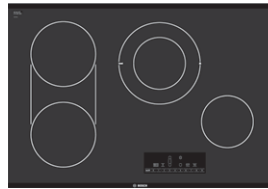
measurements in inches (mm)

500 / 800 Series 30" Electric Cooktops



30" 500 Series
NEM5066UC

- 7" Dual-Ring Element
- 9", 2,500 W Element
- Residual Heat Indicator
- Stainless Steel Color Knobs



30" 800 Series
NET8068UC (Frameless)
NET8068SUC (Frame)

- + PreciseSelect® Control
- + 9", 3,600 W Dual-Ring Element
- + Countdown Element Shut Off Timer
- + Framed and Frameless Options



+ Indicates a step-up feature

	500 Series	800 Series
	Black Frameless – NEM5066UC	Black Frameless – NET8068UC Black with Stainless Steel Frame – NET8068SUC
General Properties		
Knob material	Stainless steel color – plastic	N/A
Element Performance		
Power of front left heating element	1,700 / 700 W	1,800 W
Power of back left heating element	1,800 W	1,800 W
Power of back right heating element	1,200 W	3,600 / 1,400 W
Power of front right heating element	2,500 W	1,200 W
Element Size		
Dimension of front left heating element	7", 5"	7"
Dimension of back left heating element	7"	7"
Dimension of back right heating element	6"	9", 6"
Dimension of front right heating element	9"	6"
Technical Details		
Watts	7,200 W	8,300 W
Circuit breaker	30 A	40 A
Volts	208–240 V	208–240 V
Frequency	60 Hz	60 Hz
Plug type	No plug	No plug
Energy source	Electric	Electric
Dimensions & Weight		
Overall appliance dimensions (HxWxD)	1/4" +4" x 31" x 21 1/4"	1/4" +4" x 31" x 21 1/4"
Required cutout size (HxWxD)	4" x 28 7/8" x 20"	4" x 28 7/8" x 20"
Minimum distance from counter front	2 1/4"	2 1/4"
Minimum distance from rear wall	2"	2"
Net weight	25 lbs	31 lbs

Optional Accessories



HEZ390210
8" AutoChef® Pan
for 6" Element



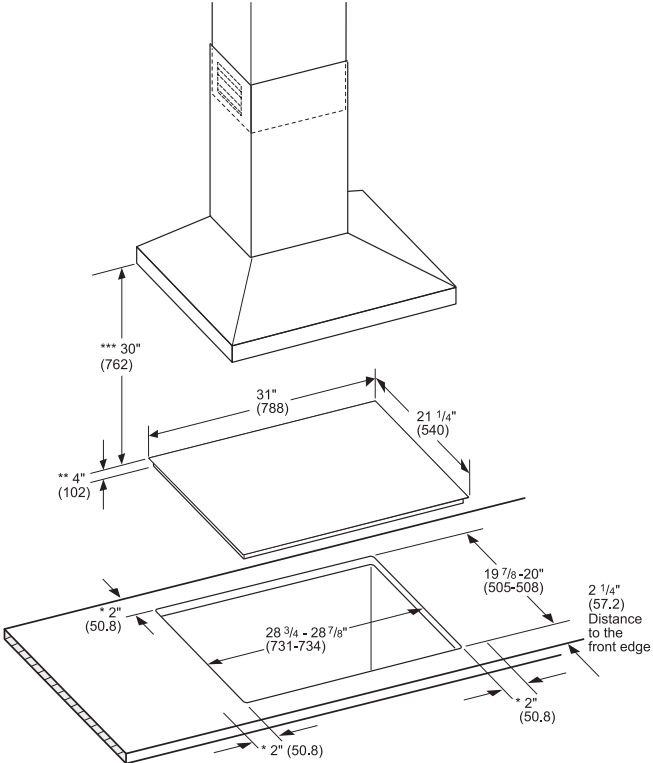
HEZ390220
9" AutoChef® Pan
for 7" Element



HEZ390230
10" AutoChef® Pan
for 8" and 9" Elements

500 / 800 Series 30" Electric Cooktops

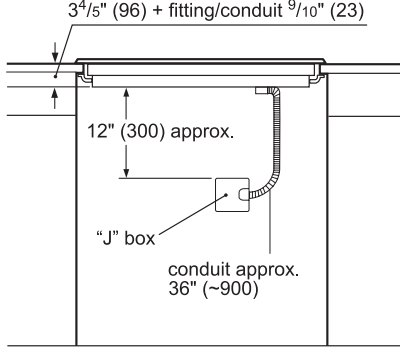
30" Cooktop and Cutout Dimensions



- * Minimum distance from the cooktop cutout to the wall
- ** Maximum cutout depth
- *** Minimum distance between the cooktop surface and lower edge of the exhaust hood.

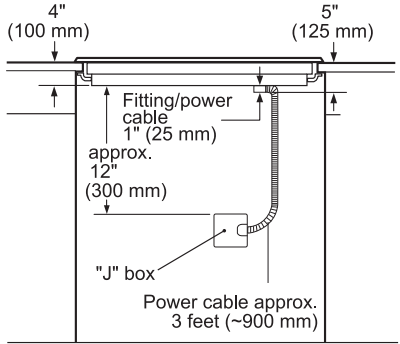
Dimensions in inches (mm)

500 Series – Cooktop Electrical Location



measurement in inches (mm)

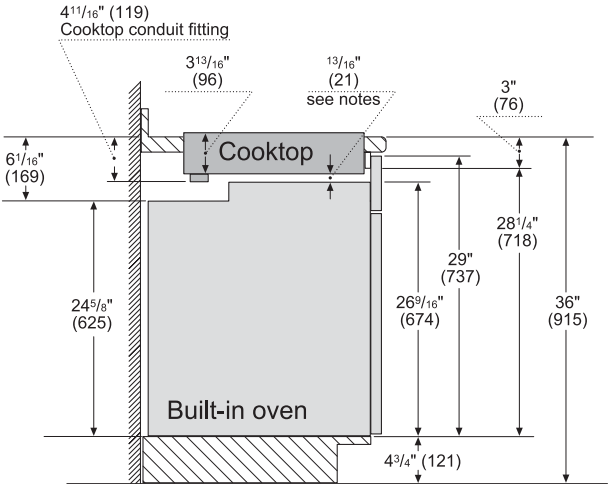
800 Series – Cooktop Electrical Location



measurement in inches (mm)

Cooktop Installation Above Wall Oven

30" Built-in oven – under electric cooktop



Notes:

Dimensions based on standard countertop height (36" with 4 3/4" toe kick including base plate).
 The built-in oven can be installed below the electric cooktop as long as there is no contact between the bottom of the cooktop and the top of the oven.

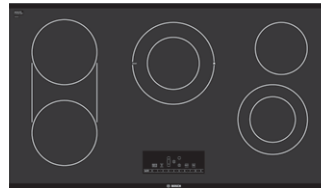
measurements in inches (mm)

500 / 800 Series 36" Electric Cooktops



36" 500 Series
NEM5666UC

- Residual Heat Indicator
- 9", 2,500 W Dual-Ring Element
- 7", 1,700 W Dual-Ring Element
- Stainless Steel Color Knobs



36" 800 Series
NET8668UC (Frameless)
NET8668SUC (Frame)

- + PreciseSelect® Control
- + 9", 3,600 W Center Element
- + Countdown Element Shut Off Timer
- + Framed and Frameless Options
- + SpeedBoost®



+ Indicates a step-up feature

	500 Series	800 Series
	Black Frameless – NEM5666UC	Black Frameless – NET8668UC Black with Stainless Steel Frame – NET8668SUC
General Properties		
Knob material	Stainless steel color – plastic	N/A
Element Performance		
Power of front left heating element	1,700 / 700 W	1,800 W
Power of back left heating element	1,800 W	1,800 W
Power of center heating element	1,800 W	3,600 / 1,400 W
Power of back right heating element	1,200 W	1,200 W
Power of front right heating element	2,500 / 1,100 W	1,900 / 800 W
Element Size		
Dimension of front left heating element	7", 5"	7"
Dimension of back left heating element	7"	7"
Dimension of center heating element	7"	9", 6"
Dimension of back right heating element	6"	6"
Dimension of front right heating element	9", 6"	8", 5"
Technical Details		
Watts	9,000 W	10,200 W
Circuit breaker	40 A	50 A
Volts	208–240 V	208–240 V
Frequency	60 Hz	60 Hz
Plug type	No plug	No plug
Energy source	Electric	Electric
Dimensions & Weight		
Overall appliance dimensions (HxWxD)	1/4" +4" x 37" x 21 1/4"	1/4" +4" x 37" x 21 1/4"
Required cutout size (HxWxD)	4" x 34 7/8" x 20"	4" x 34 7/8" x 20"
Minimum distance from counter front	2 1/4"	2 1/4"
Minimum distance from rear wall	2"	2"
Net weight	30 lbs	37 lbs

Optional Accessories



HEZ390210
8" AutoChef® Pan
for 6" Element



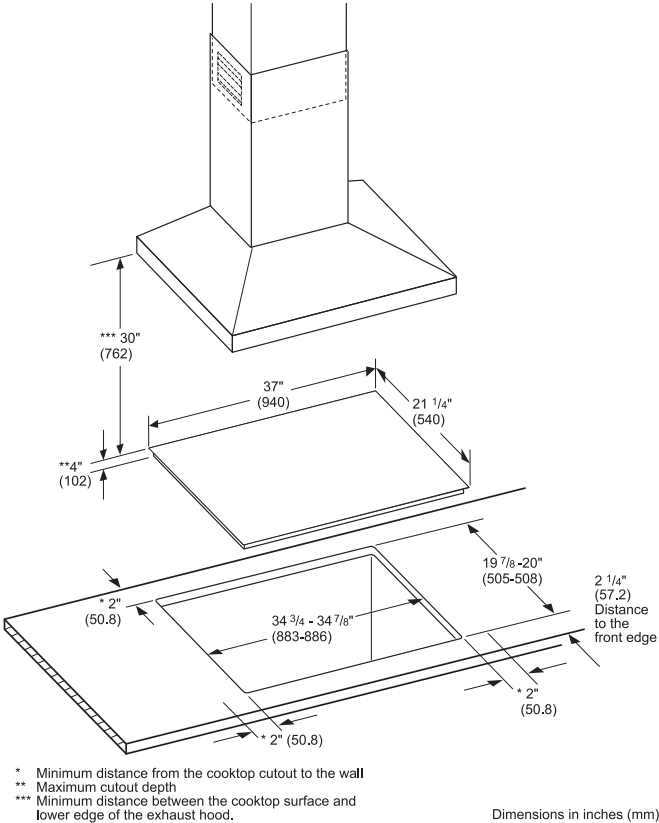
HEZ390220
9" AutoChef® Pan
for 7" Element



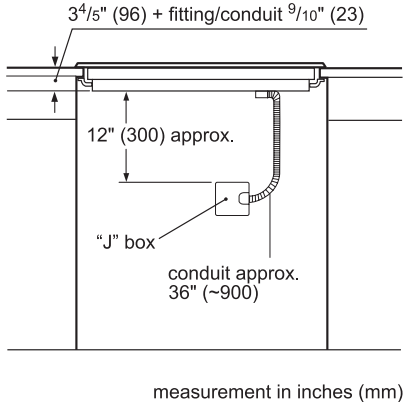
HEZ390230
10" AutoChef® Pan
for 8" and 9" Elements

500 / 800 Series 36" Electric Cooktops

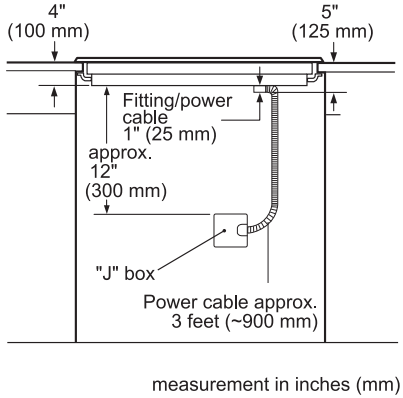
36" Cooktop and Cutout Dimensions



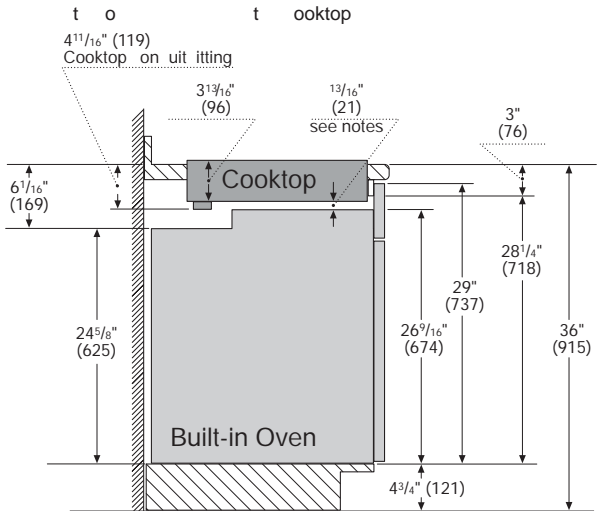
500 Series – Cooktop Electrical Location



800 Series – Cooktop Electrical Location



Cooktop Installation Above Wall Oven



Built-in Ovens

Bosch ovens are designed to beautifully enhance any kitchen. Whether cooking a quiche for two or preparing a roast for twelve, our ovens are engineered with innovative technologies that perform flawlessly, day in and day out. Bosch ovens let you cook with creativity and ease, with intuitive features like QuietClose® doors that never slam shut after a hectic day. Genuine European Convection provides even baking on all three racks. With an understated, built-in look that makes a timeless statement, the Bosch oven complements your taste in both cooking and design.





Benchmark® Built-in Wall Ovens



SideOpening door

Enjoy the intuitive ease of our left or right SideOpening door, available on Benchmark® wall ovens. It provides better ergonomic access to the oven cavity, allowing you to remove heavy dishes effortlessly.



Horizontal, flush installation

Our Benchmark® wall ovens are designed to align perfectly whether installed horizontally or vertically. Horizontal installation provides a distinctively modern look, especially when paired with the steam or speed oven and a warming or storage drawer. Horizontal installation also offers better ergonomic access for ease of use.



Easy, touch controls

Color TFT Control Panel with SteelTouch® buttons provides easy oven operation. The high-definition display features extra sharp images and easy-to-read text.



Steam convection

The Benchmark® steam convection oven prepares dishes that are tender on the inside and crisp on the outside. Steam cooking helps vegetables retain their intended color, nutrients and flavor.





Wall Oven Inspiration Gallery

Explore all of the exciting design possibilities.



Flush or Proud Install

All Bosch wall ovens can be installed flush for a sleek European look or proud for a more traditional look.



Example Flush Install



Example Proud Install



French Door Ovens

This is a great combination for clients who need double oven capacity, but who also require the quality results given with convection performance. SideOpening doors allow the easiest access for everyone, especially those with limited reach capabilities.

HBLP451LUC and HBLP451RUC shown



Double French Door Ovens with Drawers

This pair of double ovens is a baker's dream. Installing these ovens in a French door configuration allows maximum accessibility to the cavities. Multiple chefs have enough space to work together.

HBLP651LUC, HSD5051UC, HBLP651RUC and HWD5051UC shown



Horizontal Cooking Center

This combination is designed for the cook who wants different cooking options. The flush aesthetic of this oven series works with any design theme in any combination of ovens used. The simple clean design brings technology to the kitchen and enhances all design styles.

HSLP451UC, HSD5051UC, HMC80252UC, HWD5051UC and HBLP451UC shown

NOTE: See pages 70–79 for planning and installation details when installing Bosch wall ovens in these and other exciting design combinations. Horizontal installation of a 27" oven next to a 27" speed oven with warming drawer is possible, but the speed oven and warming drawer require either two cutouts or one cutout with a shelf support in between.



French Door Ovens with Speed or Steam Oven

This solution gives an active family that cooks together two ovens that can be accessed at the same time. This installation positions both full size ovens in a height comfortable for most users. The SideOpening doors give even easier access, without the need to reach over an open door.

HBLP451LUC, HSLP451UC, HWD5051UC and HBLP451RUC shown



Balanced Horizontal Cooking Center

This is a visually balanced configuration of all the technologies a modern cook wants. The large center convection oven is balanced with the shorter speed and steam ovens with either storage or warming drawer to complete the lines. Having all 3 types of oven lets the cook decide which unit serves a particular need.

HSLP451UC, HSD5051UC, HBLP451UC, HMC80252UC and HWD5051UC shown



Balanced Horizontal Cooking Center

A cook with a large family or who entertains often will find everything he or she needs with this configuration. This installation takes less wall space than placing two convection ovens side by side and is perfect for the cook who commonly uses all the different technologies.

The positioning of the control panels and clean uniform lines of each unit allows for different custom configurations with the same modern look.

HSLP451UC, HSD5051UC, HBLP651UC, HMC80252UC and HWD5051UC shown



Cube Installation

This concise combination offers speed, steam and two convection ovens in a limited wall space. Only two electrical connections and cutouts are required for these four products.

HBLP752UC and HSLP751UC shown



Triple Stack

Together, these combination oven units together give the home chef a versatile baking center in a small footprint. The addition of storage and warming drawers below keeps lines consistent, and adds the convenience to retain the quality of prepared food until guests arrive.

HBLP752UC, HSD5051UC, HSLP751UC and HWD5051UC shown



Balanced Horizontal Cooking Center

This ergonomic horizontal installation offers a strong linear baking zone that takes full advantage of an expansive kitchen wall. All the oven technologies are at a comfortable, safe height for most cooks. The SideOpening doors make oven contents easy to access. It is great for large families cooking together and groups with different levels of reach and mobility.

HBLP451LUC, HMC80252UC, HWD5051UC, HSLP451UC, HSD5051UC and HBLP451RUC shown

NOTE: See pages 70–79 for planning and installation details when installing Bosch wall ovens in these and other exciting design combinations. Horizontal installation of a 27" oven next to a 27" speed oven with warming drawer is possible, but the speed oven and warming drawer require either two cutouts or one cutout with a shelf support in between.

Benchmark® Single Ovens



Standard
Opening Door
HBLP451UC



SideOpening
Left Swing Door
HBLP451LUC



SideOpening
Right Swing Door
HBLP451RUC



30" Benchmark® Single Ovens

- Color TFT Control Panel
- Halogen Lights
- AutoProbe

30" Benchmark®

Standard Opening Stainless Steel – HBLP451UC
 SideOpening Left Swing Stainless Steel – HBLP451LUC
 SideOpening Right Swing Stainless Steel – HBLP451RUC

General Properties

Cooking modes	Bake, Variable Broil (Hi & Low), Roast, Warm, Sabbath, Proof Dough, Convection Bake, Convection Broil, Convection Roast, Pizza, Multi Rack Genuine European Convection, Convection Conversion, AutoProbe, Fast Preheat, EcoChef, Speed Convection (Frozen Foods)
Cleaning type	Self clean
Telescopic rack	1
Illumination type	Halogen
Interior lights	2

Oven Performance

Bake element wattages	2,400 W
Broil element wattages	3,800 W
Convection element wattages	2,000 W

Technical Details

Watts (W)	6,325 W
Circuit breaker (A)	30 A
Volts (V)	240 / 208 V
Frequency (Hz)	60 Hz
Power cord length (in)	50"
Plug type	Fixed connection, no plug
Energy source	Electric

Dimensions & Weight

Overall appliance dimensions (HxWxD) (in)	29" x 29 3/4" x 24 1/2"
Required cutout size (HxWxD) (in)	27" – 28 5/8" x 28 1/2" x 23 1/2"
Oven cavity size (cu. ft.)	4.6
Overall oven interior dimensions (HxWxD) (in)	17 13/16" x 24 1/8" x 18"
Usable oven interior dimensions (HxWxD) (in)	12 5/16" x 23 1/4" x 15 1/4"
Net weight (lbs)	149 lbs

Accessories – Included

Included	1 Telescopic and 2 standard oven racks, temperature probe, broiler pan
----------	--

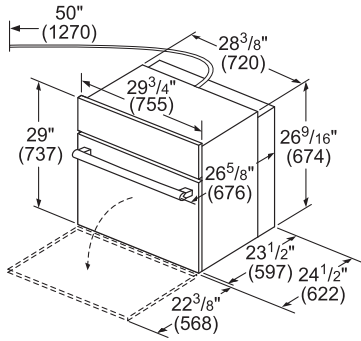
Optional Accessories



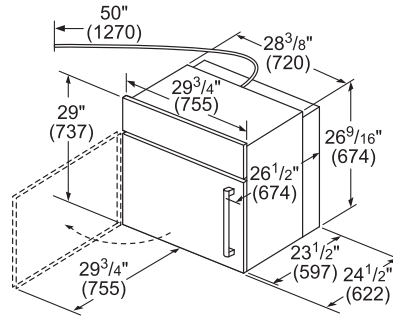
HEZTR301
30" Telescopic Rack

Benchmark® Single Ovens

30" Single Wall Oven

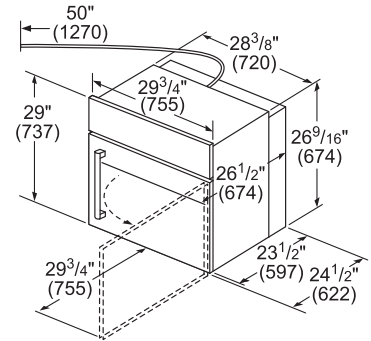


30" SideOpening Left Swing Door



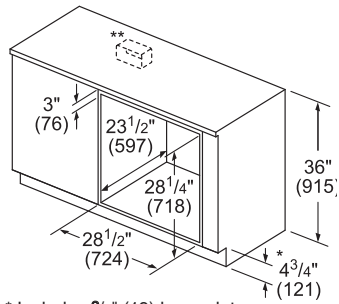
Allow $\frac{3}{4}$ " (19 mm) gap to nearest cabinet face for door swing on SideOpening models

30" SideOpening Right Swing Door



Allow $\frac{3}{4}$ " (19 mm) gap to nearest cabinet face for door swing on SideOpening models

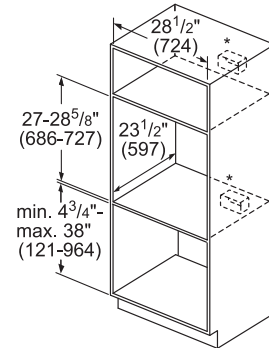
Under-Counter Installation



* Includes $\frac{3}{4}$ " (19) base plate

**For single ovens installed under a countertop, the junction box may be located to the left or right of the unit within reach of the power conduit.

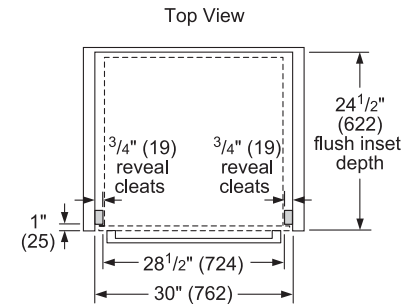
Wall-Mounted Installation



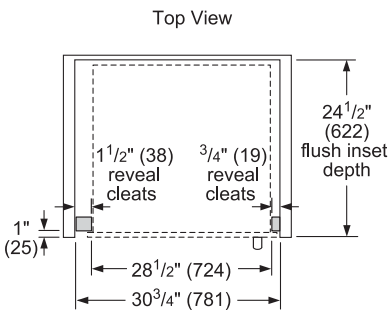
* For single ovens installed into a wall cabinet, the junction box may be located above or beneath the unit within reach of the power conduit.

measurements in inches (mm)

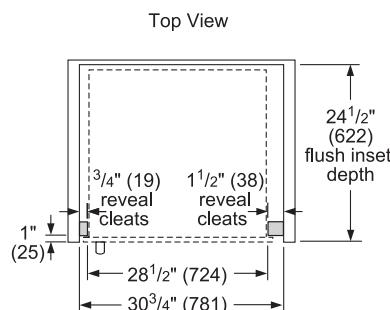
30" Single Wall Oven Flush Install



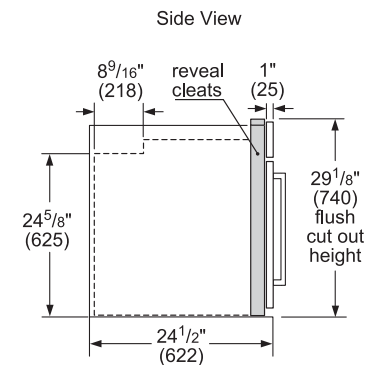
30" SideOpening Left Swing Door Flush Installation



30" SideOpening Right Swing Door Flush Installation



Single Wall Oven Flush Installation



Measurements in inches (mm)

NOTE: Bosch single wall ovens can be installed in combination with other Bosch cooking products. See pages 71–73 for details.

500 Series 24" Single Oven



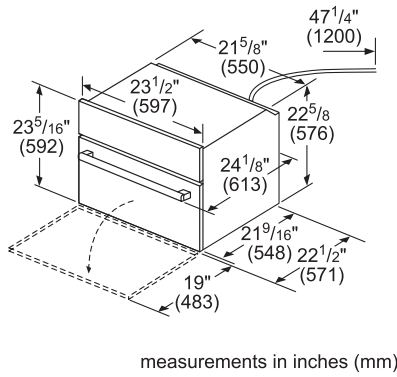
24" 500 Series
HBE5451UC

- 2.8 cu. ft.
- Genuine European Convection
- Thermal Cooking
- Extension Rack
- DualClean® System

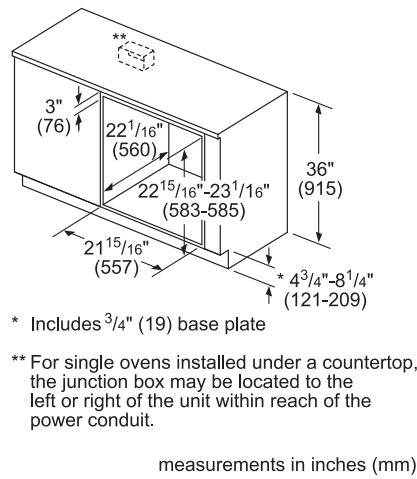
500 Series	
24" Stainless Steel – HBE5451UC	
General Properties	
Cooking modes	Bake, Broil Plus, Convection Bake, Convection Broil, Convection Broil Plus, Multi-Rack Genuine European Convection, Pie, Warm, Defrost, Frozen Foods
Cleaning type	DualClean® System (uses the cavity coating and heat to burn off most grease)
Telescopic rack	1
Illumination type	Halogen
Interior lights	2
Oven Performance	
Bake / broil element wattages	1,300 / 3,060 W
Convection element wattages	2,200 W
Technical Details	
Watts (W)	3,300 W
Circuit breaker (A)	20 A
Volts (V)	240 / 208 V
Frequency (Hz)	60 Hz
Power cord length (in)	47 1/4"
Plug type	Fixed connection, no plug
Energy source	Electric
Dimensions & Weight	
Overall appliance dimensions (HxWxD) (in)	23 5/16" x 23 1/2" x 22 1/2"
Required cutout size (HxWxD) (in)	21 15/16" – 23 1/16" x 21 15/16" x 22 1/16"
Oven cavity size (cu. ft.)	2.8
Overall oven interior dimensions (HxWxD) (in)	15 1/16" x 18 3/16" x 17 11/16"
Usable oven interior dimensions (HxWxD) (in)	11" x 17 1/4" x 16 1/4"
Net weight (lbs)	87 lbs
Accessories – Included	
Included	1 Standard rack, 1 telescopic rack

500 Series 24" Single Oven

24" Single Wall Oven

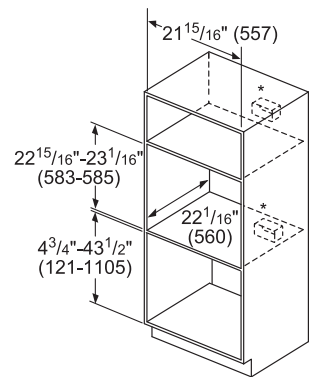


24" Single Oven Under-Counter Installation



- * Includes $\frac{3}{4}$ " (19) base plate
- ** For single ovens installed under a countertop, the junction box may be located to the left or right of the unit within reach of the power conduit.

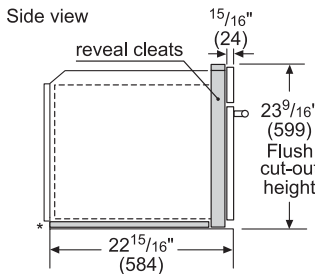
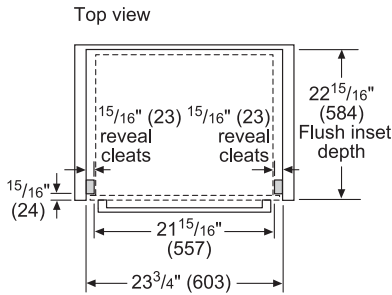
24" Single Oven Wall-Mounted Installation



- * For wall installations, the junction box may be located above or below the unit within reach of the power cable.

For ergonomic reasons, it is recommended to install the oven as high as possible.

24" Single Wall Oven Flush Installation



- * Flush installation requires a $\frac{3}{16}$ " (5 mm) high x $21\frac{15}{16}$ " (557 mm) wide x $22\frac{1}{16}$ " (560 mm) deep baseplate underneath the unit body.

measurements in inches (mm)

500 / 800 Series Single Ovens



30" 500 Series
HBL5351UC

- 4.6 cu. ft.
- Thermal Cooking
- Stainless Steel Knobs



500 Series
30" HBL5451UC
27" HBN5451UC

- 4.6 cu. ft. (27" is 3.9 cu. ft.)
- + European Convection
- Thermal Cooking
- Stainless Steel Knobs

27"



800 Series
30" HBL8451UC
30" HBL8461UC
27" HBN8451UC

- 4.6 cu. ft. (27" is 3.9 cu. ft.)
- + QuietClose® Door
- + Touch Control
- + Extension Rack
- + Meat Probe

Black 27"

+ Indicates a step-up feature

	500 Series	500 Series	800 Series
	30" Stainless Steel – HBL5351UC	30" Stainless Steel – HBL5451UC 27" Stainless Steel – HBN5451UC	30" Stainless Steel – HBL8451UC 30" Black – HBL8461UC 27" Stainless Steel – HBN8451UC
General Properties			
Cooking modes	Bake, Variable Broil (Hi & Low), Roast, Warm, Sabbath	Bake, Variable Broil (Hi & Low), Roast, Warm, Sabbath, Proof Dough, Convection Bake, Convection Broil, Convection Roast, Pizza, Multi Rack Genuine European Convection, Convection Conversion	Bake, Variable Broil (Hi & Low), Roast, Warm, Sabbath, Proof Dough, Convection Bake, Convection Broil, Convection Roast, Pizza, Multi Rack Genuine European Convection, Convection Conversion, Temperature Probe, Fast Preheat
Cleaning type	Self clean	Self clean	Self clean
Telescopic rack	0	0	1
Illumination type	Incandescent	Incandescent	Incandescent
Interior lights	1	30": 1; 27": 2	2
Oven Performance			
Bake / broil element wattages	2,400 / 3,800 W	2,400 / 3,800 W	2,400 / 3,800 W
Convection element wattages	N/A	2,000 W	2,000 W
Technical Details			
Watts (W)	6,275 W	6,325 W	6,325 W
Circuit breaker (A)	30 A	30 A	30 A
Volts (V)	240 / 208 V	240 / 208 V	240 / 208 V
Frequency (Hz)	60 Hz	60 Hz	60 Hz
Power cord length (in)	50"	50"	50"
Plug type	Fixed connection, no plug	Fixed connection, no plug	Fixed connection, no plug
Energy source	Electric	Electric	Electric
Dimensions & Weight			
Overall appliance dimensions (HxWxD) (in)	29" x 29 3/4" x 24 1/2"	30": 29" x 29 3/4" x 24 1/2" 27": 29" x 26 3/4" x 24 1/2"	30": 29" x 29 3/4" x 24 1/2" 27": 29" x 26 3/4" x 24 1/2"
Required cutout size (HxWxD) (in)	27" – 28 5/8" x 28 1/2" x 23 1/2"	30": 27" – 28 5/8" x 28 1/2" x 23 1/2" 27": 27" – 28 5/8" x 25 1/2" x 23 1/2"	30": 27" – 28 5/8" x 28 1/2" x 23 1/2" 27": 27" – 28 5/8" x 25 1/2" x 23 1/2"
Oven cavity size (cu. ft.)	4.6	30": 4.6; 27": 3.9	30": 4.6; 27": 3.9
Overall oven interior dimensions (HxWxD) (in)	17 13/16" x 24 1/8" x 18"	30": 17 13/16" x 24 1/8" x 18" 27": 17 13/16" x 21 1/16" x 18"	30": 17 13/16" x 24 1/8" x 18" 27": 17 13/16" x 21 1/16" x 18"
Usable oven interior dimensions (HxWxD) (in)	12 5/16" x 23 1/4" x 15 1/4"	30": 12 5/16" x 23 1/4" x 15 1/4" 27": 12 5/16" x 20 1/4" x 15 1/4"	30": 12 5/16" x 23 1/4" x 15 1/4" 27": 12 5/16" x 20 1/4" x 15 1/4"
Net weight (lbs)	149 lbs	27": 127 lbs; 30": 149 lbs	27": 127 lbs; 30": 149 lbs
Accessories – Included			
Included	2 Standard oven racks	2 Standard oven racks	1 Telescopic and 2 standard oven racks, temperature probe

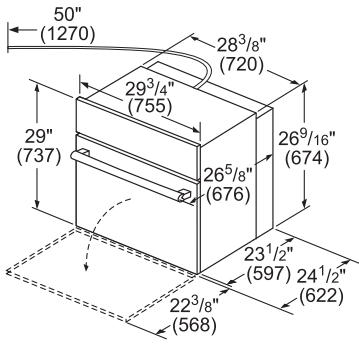
Optional Accessories for 30" Single Wall Ovens



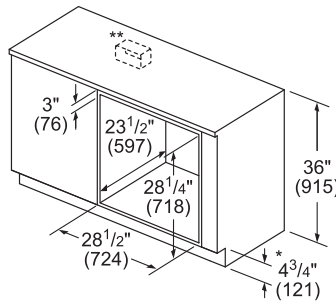
HEZTR301
30" Telescopic Rack

500 / 800 Series Single Ovens

30" Single Wall Oven



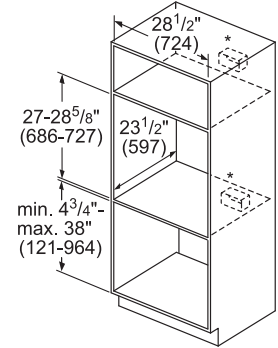
30" Single Oven Under-Counter Installation



* Includes 3/4" (19) base plate

** For single ovens installed under a countertop, the junction box may be located to the left or right of the unit within reach of the power conduit.

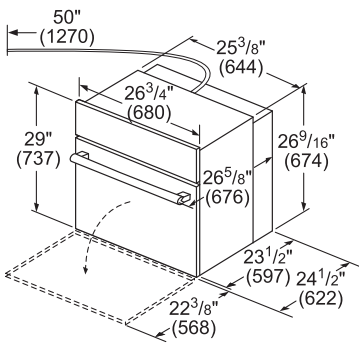
30" Single Oven Wall-Mounted Installation



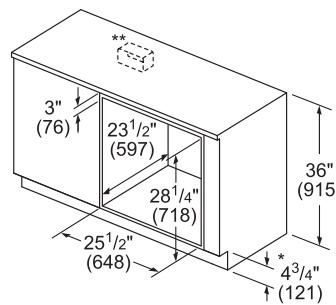
* For single ovens installed into a wall cabinet, the junction box may be located above or beneath the unit within reach of the power conduit.

measurements in inches (mm)

27" Single Wall Oven



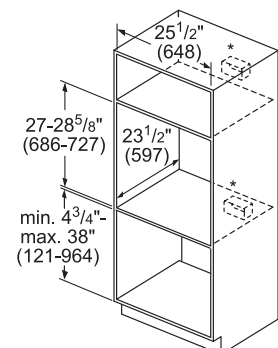
27" Single Oven Under-Counter Installation



* Includes 3/4" (19) base plate

** For single ovens installed under a countertop, the junction box may be located to the left or right of the unit within reach of the power conduit.

27" Single Oven Wall-Mounted Installation

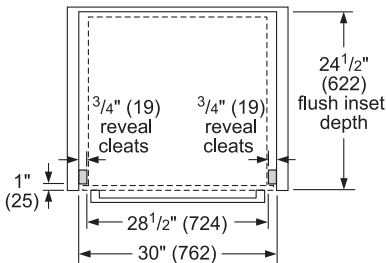


* For single ovens installed into a wall cabinet, the junction box may be located above or beneath the unit within reach of the power conduit.

measurements in inches (mm)

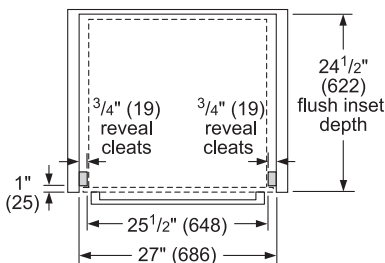
30" Single Wall Oven Flush Install

Top View



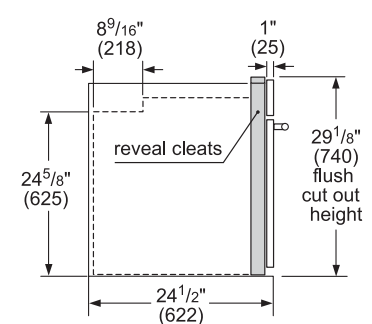
27" Single Wall Oven Flush Install

Top View



Single Wall Oven Flush Installation

Side View



Measurements in inches (mm)

NOTE: Bosch single wall ovens can be installed in combination with other Bosch cooking products. See pages 76–77 for details. Horizontal installation of a 27" oven next to a 27" speed oven with warming drawer is possible, but the speed oven and warming drawer require either two or one cutout with a shelf support in between.

Benchmark® Steam Convection Oven



30" Benchmark®
Steam Convection
HSLP451UC

- 1.4 cu. ft.
- Color TFT Control Panel
- Halogen Lights
- Chicken and Vegetable Program
- No Trim Kit Needed

30" Steam Convection

Stainless Steel – HSLP451UC

General Properties

Cooking modes	Steam, Steam Convection, European Convection, Reheat, Keep Warm, Defrost, Slow Cook, Proof, Dish Warming, 2 Chicken and 7 Vegetable Programs
Cleaning type	Steam clean
Illumination type	Halogen
Interior lights	1

Oven Performance

Steam element wattage	1,960 W
Convection element wattages	1,960 W

Technical Details

Watts (W)	1,960 W
Circuit breaker (A)	15 A
Volts (V)	240 / 208 V
Frequency (Hz)	60 Hz
Power cord length (in)	48"
Plug type	Fixed connection, no plug
Energy source	Electric
Installation Type	Non-plumbed

Dimensions & Weight

Overall appliance dimensions (HxWxD) (in)	19 5/8" x 29 3/4" x 22 3/8"
Oven cavity size (cu. ft.)	1.4
Required cutout size (HxWxD) (in)	19 1/4" x 28 1/2" x 23 1/2"
Net weight (lbs)	70 lbs

Accessories – Included

Included	Wire rack, perforated cooking pan – full size, baking tray, perforated cooking pan – half size, cooking
----------	---

Optional Accessories



HEZ36D453
Cooking Pan – Full
Size, 1 5/8" Deep [Not
Included with Product]



HEZ36D452
Baking Tray –
Full Size, 1 1/8" Deep



HEZ36DR4
Wire Rack For Steam
And Convection Oven



HEZ36D453G
Perforated Cooking
Pan – Full Size,
1 5/8" Deep



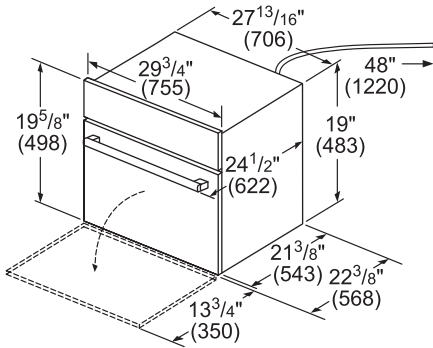
HEZ36D153G
Perforated Cooking
Pan – Half Size,
1 5/8" Deep



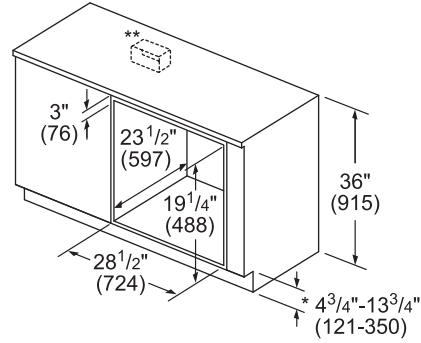
HEZ36D153
Cooking Pan –
Half Size, 1 5/8" Deep

Benchmark® Steam Convection Oven

Product Dimensions



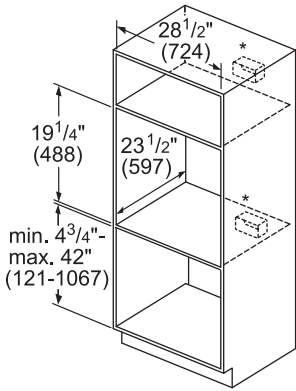
Under-Counter Installation



* Includes ³/₄" (19) base plate

** Receptacle may be located to the left or right of the unit within reach of the power cord.

Wall Mounted Installation

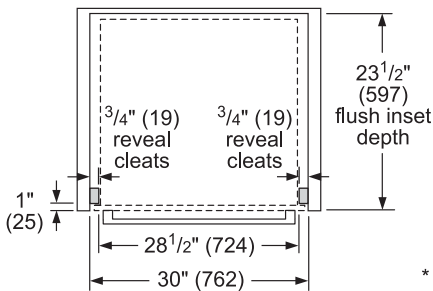


* Receptacle may be located above or beneath the unit within reach of the power cord.

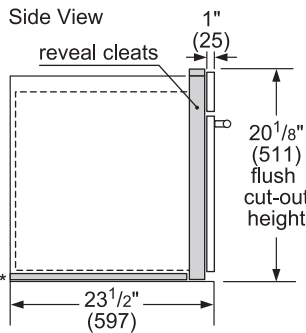
measurements in inches (mm)

Flush Installation

Top View



Side View



* Flush installation requires a ⁵/₁₆" (8 mm) high x 28¹/₂" (724 mm) wide x 22¹/₂" (571 mm) deep baseplate underneath the unit body.

Measurements in inches (mm)

NOTE: Bosch steam convection oven can be installed in combination with other Bosch cooking products. See page 71 for details.

Benchmark® Speed & Steam Combination Ovens



30" Benchmark®
Speed Combination Oven
HBLP752UC

- 240V Speed Oven (U)
- Color TFT Control Panel (U&L)
- Halogen Lights (U&L)
- AutoProbe (L)



30" Benchmark®
Steam Convection Combination Oven
HSLP751UC

- Steam Convection Oven (U)
- Color TFT Control Panel (L)
- Halogen Lights (U&L)
- AutoProbe (L)

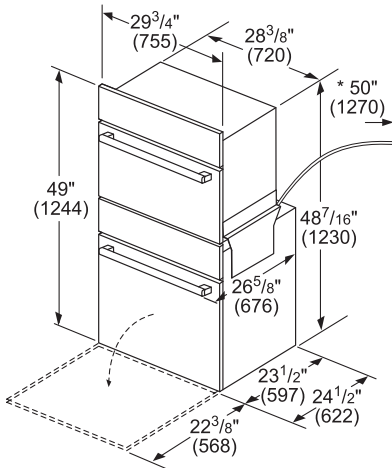
U=Upper; L=Lower

	30" Speed Combination	30" Steam Convection Combination
	Stainless Steel – HBLP752UC	Stainless Steel – HSLP751UC
General Properties		
Cooking modes – upper cavity	Microwave; 12 Auto Programs (Including Auto Defrost, Melt Butter, Soften Ice Cream, Pizza), 9 Sensor Cook Programs, 9 AutoChef® Speed Programs, Hi & Lo Broil, European Convection, Keep Warm, Frozen Foods	Steam, Steam Convection, European Convection, Reheat, Keep Warm, Defrost, Slow Cook, Proof, Dish Warming, 2 Chicken and 7 Vegetable Programs
Cooking modes – lower cavity	Bake, Variable Broil (Hi & Low), Roast, Warm, Sabbath, Proof Dough, Convection Bake, Convection Broil, Convection Roast, Pizza, Multi Rack Genuine European Convection, Convection Conversion, AutoProbe, Fast Preheat, EcoChef, Speed Convection (Frozen Foods)	Bake, Variable Broil (Hi & Low), Roast, Warm, Sabbath, Proof Dough, Convection Bake, Convection Broil, Convection Roast, Pizza, Multi Rack Genuine European Convection, Convection Conversion, AutoProbe, Fast Preheat, EcoChef, Speed Convection (Frozen Foods)
Cleaning type – lower cavity	Self clean	Self clean
Telescopic rack	1	1
Illumination type	Halogen (upper and lower)	Halogen (upper and lower)
Interior lights – upper / lower cavity	1 / 2	1 / 2
Oven Performance		
Microwave power – upper cavity	1000 W	N/A
Bake / broil element wattages – upper cavity	600 / 1,750 W	1,960 W*
Bake / broil element wattages – lower cavity	2,400 / 3,800 W	2,400 / 3,800 W
Convection element wattages – upper cavity / lower cavity	1,700 W / 2,000 W	1,960 W / 2,000 W
Technical Details		
Watts (W)	9,725 W	8,325 W
Circuit breaker (A)	40 A	40 A
Volts (V); Frequency (Hz)	240 / 208 V; 60 Hz	240 / 208 V; 60 Hz
Power cord length (in)	50"	50"
Plug type	Fixed connection, no plug	Fixed connection, no plug
Energy source	Electric	Electric
Installation Type	N/A	Non-plumbed
Dimensions & Weight		
Overall appliance dimensions (HxWxD)(in)	49" x 29 3/4" x 24 1/2"	49" x 29 3/4" x 24 1/2"
Required cutout size (HxWxD) (in)	48 5/8" x 28 1/2" x 23 1/2"	48 5/8" x 28 1/2" x 23 1/2"
Oven cavity size (cu. ft.)	4.6	4.6
Overall lower oven interior dimensions (HxWxD) (in)	17 13/16" x 24 1/8" x 18"	17 13/16" x 24 1/8" x 18"
Usable lower oven interior dimensions (HxWxD) (in)	12 5/16" x 23 1/4" x 15 1/4"	12 5/16" x 23 1/4" x 15 1/4"
Net weight (lbs)	259 lbs	219 lbs
Accessories – Included		
Included	Upper oven: metal turntable, square rack, ceramic cooking tray lower oven: 1 telescopic and 2 standard oven racks, temperature probe, broiler pan	Upper oven: wire rack, perforated cooking pan – full size, baking tray, perforated cooking pan – half size, cooking pan – half size lower oven: 1 telescopic and 2 standard oven racks, temperature probe, broiler pan

*Element below water reservoir that generates steam

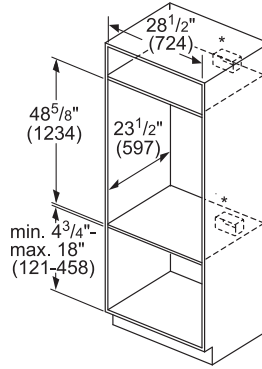
Benchmark® Speed & Steam Combination Ovens

Product Dimensions



* Power cable 50" (1270 mm) from the lower oven.

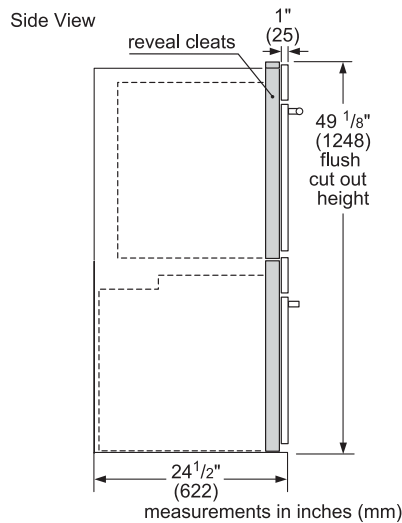
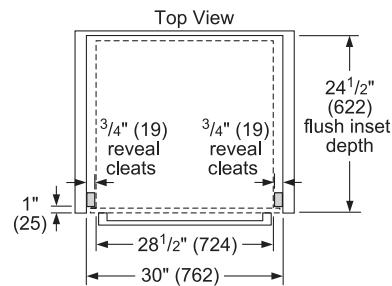
Cutout Dimensions



* Junction box may be installed above, below, or to the left or right of the unit within reach of the power cable

measurements in inches (mm)

Flush Installation



measurements in inches (mm)

NOTE: Bosch combination wall ovens can be installed in combination with other Bosch cooking products. See pages 71 and 74 for details.

Optional Accessories for Speed Combination Oven



HEZTR301
30" Telescopic Rack

Optional Accessories for Steam Convection Combination Oven



HEZ36D453
Cooking Pan - Full Size, 1 5/8" Deep [Not Included with Product]



HEZ36D452
Baking Tray - Full Size, 1 1/8" Deep



HEZ36DR4
Wire Rack For Steam And Convection Oven



HEZ36D453G
Perforated Cooking Pan - Full Size, 1 5/8" Deep



HEZ36D153G
Perforated Cooking Pan - Half Size, 1 5/8" Deep



HEZ36D153
Cooking Pan - Half Size, 1 5/8" Deep

500 / 800 Series Combination Ovens



30" 500 Series
HBL57M52UC

- 240V Speed Oven (U)
- 4.6 cu. ft. (L)
- European Convection (L)
- Stainless Steel Knobs (L)



30" 800 Series
HBL87M52UC

- 240V Speed Oven (U)
- 4.6 cu. ft. (L)
- + QuietClose® Door (L)
- + Extension Rack (L)
- + Meat Probe (L)



30" 800 Series
HBL8752UC

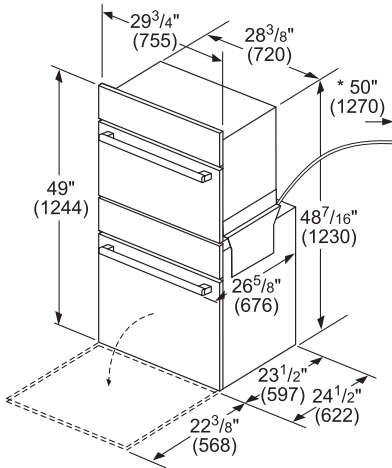
- 240V Speed Oven (U)
- 4.6 cu. ft. (L)
- + 12 Auto Programs (U)
- + 1000 W Microwave (U)
- + Halogen Lights (U&L)

+ Indicates a step-up feature
U=Upper; L=Lower

	500 Series	800 Series	800 Series
	Stainless Steel – HBL57M52UC	Stainless Steel – HBL87M52UC	Stainless Steel – HBL8752UC
General Properties			
Cooking modes – upper cavity	Microwave; 10 Sensor Cooking Programs (Including Baked Potato, Sweet Potato, Fresh Vegetable, Frozen Vegetable, Ground Meat, Fish/Seafood, Brown Rice, White Rice, Frozen Entrées, Reheat), Popcorn, Beverage, Melt/Soften, Defrost	Microwave; 10 Sensor Cooking Programs (Including Baked Potato, Sweet Potato, Fresh Vegetable, Frozen Vegetable, Ground Meat, Fish/Seafood, Brown Rice, White Rice, Frozen Entrées, Reheat), Popcorn, Beverage, Melt/Soften, Defrost	Speed Oven; 12 Auto Programs (Including Auto Defrost, Melt Butter, Soften Ice Cream, Pizza), 9 Sensor Cook Programs, 9 SpeedChef™ Programs, Hi & Lo Broil, European Convection, Keep Warm, Frozen Foods
Cooking modes – lower cavity	Bake, Variable Broil (Hi & Low), Roast, Warm, Sabbath, Proof Dough, Convection Bake, Convection Broil, Convection Roast, Pizza, Multi Rack Genuine European Convection, Convection Conversion	Bake, Variable Broil (Hi & Low), Roast, Warm, Sabbath, Proof Dough, Convection Bake, Convection Broil, Convection Roast, Pizza, Multi Rack Genuine European Convection, Convection Conversion, Temperature Probe, Fast Preheat	Bake, Variable Broil (Hi & Low), Roast, Warm, Sabbath, Proof Dough, Convection Bake, Convection Broil, Convection Roast, Pizza, Multi Rack Genuine European Convection, Convection Conversion, Temperature Probe, Fast Preheat
Cleaning type – lower cavity	Self clean	Self clean	Self clean
Telescopic rack	0	1	1
Illumination type	Incandescent (upper and lower)	Incandescent (upper and lower)	Halogen (upper and lower)
Interior lights – upper / lower cavity	1 / 1	1 / 2	1 / 2
Oven Performance			
Microwave power – upper cavity	950 W	950 W	1000 W
Bake / broil element wattages –upper	N/A	N/A	600 / 1,750 W
Convection element wattages – upper	N/A	N/A	1,700 W
Bake / broil element wattages – lower	2,400 / 3,800 W	2,400 / 3,800 W	2,400 / 3,800 W
Convection element wattages – lower	2,000 W	2,000 W	2,000 W
Technical Details			
Watts (W)	9,600 W	9,600 W	9,600 W
Circuit breaker (A)	40 A	40 A	40 A
Volts (V); Frequency (Hz)	240 / 208 V; 60 Hz	240 / 208 V; 60 Hz	240 / 208 V; 60 Hz
Power cord length (in)	50"	50"	50"
Plug type	120 V, 3-prong receptacle	120 V, 3-prong receptacle	Hardwired 240 V
Energy source	Electric	Electric	Electric
Dimensions & Weight			
Overall appliance dimensions (HxWxD) (in)	49" x 29 3/4" x 24 1/2"	49" x 29 3/4" x 24 1/2"	49" x 29 3/4" x 24 1/2"
Required cutout size(HxWxD) (in)	48 5/8" x 28 1/2" x 23 1/2"	48 5/8" x 28 1/2" x 23 1/2"	48 5/8" x 28 1/2" x 23 1/2"
Overall upper oven interior dimensions (HxWxD) (in.)	9 7/8" x 16 1/2" x 16 1/2"	9 7/8" x 16 1/2" x 16 1/2"	9 7/8" x 16 1/2" x 16 1/2"
Turntable – glass max. cookware	14 1/8" dia.	14 1/8" dia.	N/A
Turntable – metal max. cookware	N/A	N/A	12 3/4" dia.
Turntable – ceramic max. cookware	N/A	N/A	12 1/2" dia.
Rack – rectangular cookware max.	N/A	N/A	15" x 12"
Oven cavity size – lower cavity (cu. ft.)	4.6	4.6	4.6
Overall lower oven interior dimensions (HxWxD) (in)	17 13/16" x 24 1/8" x 18"	17 13/16" x 24 1/8" x 18"	17 13/16" x 24 1/8" x 18"
Usable lower oven interior dimensions (HxWxD) (in)	12 5/16" x 23 1/4" x 15 1/4"	12 5/16" x 23 1/4" x 15 1/4"	12 5/16" x 23 1/4" x 15 1/4"
Net weight (lbs)	259 lbs	259 lbs	259 lbs

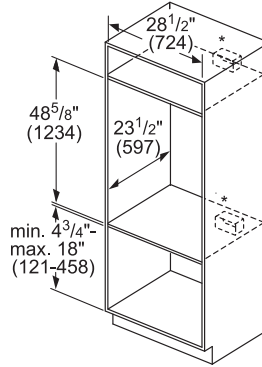
500 / 800 Series Combination Ovens

Product Dimensions



* Power cable 50" (1270 mm) from the lower oven.

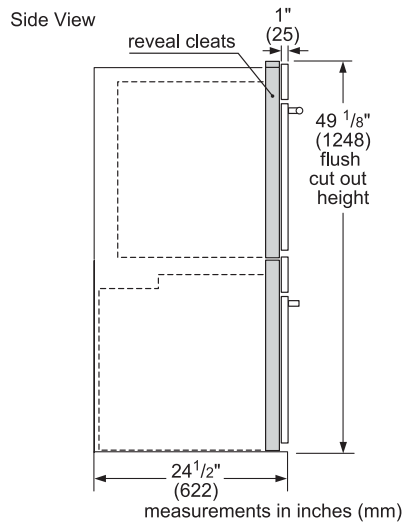
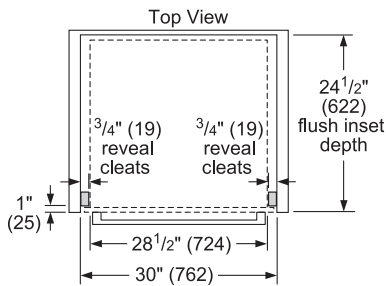
Cutout Dimensions



* Junction box may be installed above, below, or to the left or right of the unit within reach of the power cable

measurements in inches (mm)

Flush Installation



measurements in inches (mm)

NOTE: Bosch combination wall ovens can be installed in combination with other Bosch cooking products. See pages 76 and 79 for details.

Accessories – Included	500 Series	800 Series
Included	Upper oven: metal turntable, square rack, ceramic cooking tray lower oven: 2 standard oven racks	Upper oven: metal turntable, square rack, ceramic cooking tray lower oven: 1 telescopic and 2 standard oven racks, meat probe

Optional Accessories



HEZTR301
30" Telescopic Rack

Benchmark® Double Ovens



Standard Opening Door
HBLP651UC



SideOpening Left Swing Door
HBLP651LUC



SideOpening Right Swing Door
HBLP651RUC

30" Benchmark® Double Ovens

- European Convection (U&L)
- Color TFT Control Panel (U)
- Halogen Lights (U&L)
- AutoProbe (U)

U=Upper; L=Lower

30" Benchmark®

Standard Opening Stainless Steel – HBLP651UC
SideOpening Left Swing Stainless Steel – HBLP651LUC
SideOpening Right Swing Stainless Steel – HBLP651RUC

General Properties	
Cooking modes – upper cavity	Bake, Variable Broil (Hi & Low), Roast, Warm, Sabbath, Proof Dough, Convection Bake, Convection Broil, Convection Roast, Pizza, Multi Rack Genuine European Convection, Convection Conversion, AutoProbe, Fast Preheat, EcoChef, Speed Convection (Frozen Foods)
Cooking modes – lower cavity	Identical to upper cavity (exception: lower cavity does not feature temperature probe and EcoChef)
Cleaning type – upper cavity	Self clean
Cleaning type – lower cavity	Self clean
Telescopic rack	1
Illumination type – upper / lower cavity	Halogen
Interior lights – upper cavity	2
Interior lights – lower cavity	2
Oven Performance	
Bake / broil element wattages – upper cavity	2,400 / 3,800 W
Convection element wattages – upper cavity	2,000 W
Bake / broil element wattages – lower cavity	2,400 / 3,800 W
Convection element wattages – lower cavity	2,000 W
Technical Details	
Watts (W)	9,125 W
Circuit breaker (A)	40 A
Volts (V)	240 / 208 V
Frequency (Hz)	60 Hz
Power cord length (in)	50"
Plug type	Fixed connection, no plug
Energy source	Electric
Dimensions & Weight	
Overall appliance dimensions (HxWxD) (in)	52 1/16" x 29 3/4" x 24 1/2"
Required cutout size (HxWxD) (in)	49 3/4" – 51 1/2" x 28 1/2" x 23 1/2"
Oven cavity size – lower cavity (cu. ft.)	4.6
Overall oven interior dimensions (HxWxD) (in)	17 13/16" x 24 1/8" x 18"
Usable oven interior dimensions (HxWxD) (in)	12 5/16" x 23 1/4" x 15 1/4"
Net weight (lbs)	261 lbs
Accessories – Included	
Included	Upper oven: 1 telescopic and 2 standard oven racks, temperature probe, broiler pan lower oven: 3 standard oven racks

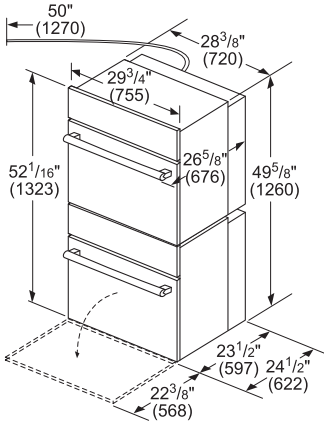
Optional Accessories



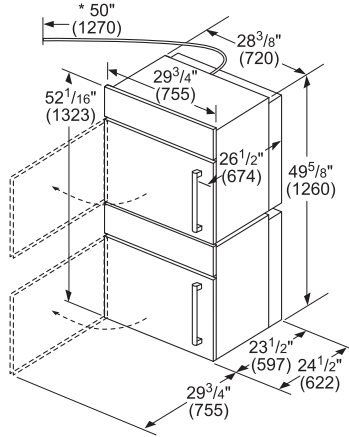
HEZTR301
30" Telescopic Rack

Benchmark® Double Ovens

30" Double Wall Oven

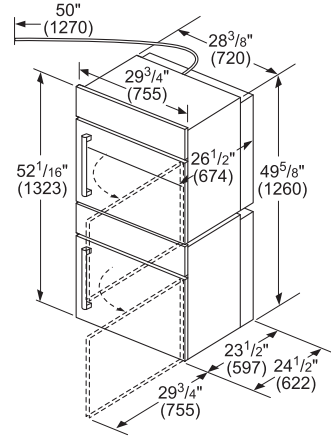


30" SideOpening Left Swing Door



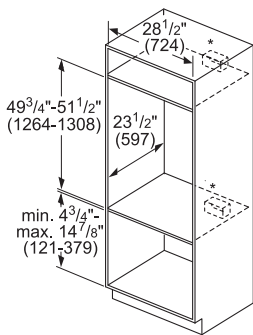
** Allow 3/4" (19 mm) gap to nearest cabinet face for door swing on SideOpening models

30" SideOpening Right Swing Door



** Allow 3/4" (19 mm) gap to nearest cabinet face for door swing on SideOpening models

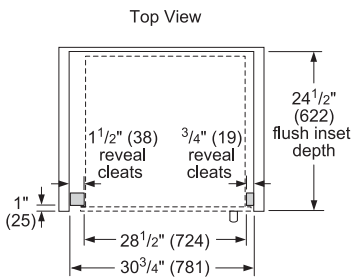
All 30" Double Wall Ovens



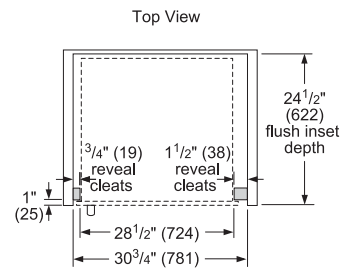
* Junction box may be installed above, below, or to the left or right of the unit within range of the power conduit.

measurements in inches (mm)

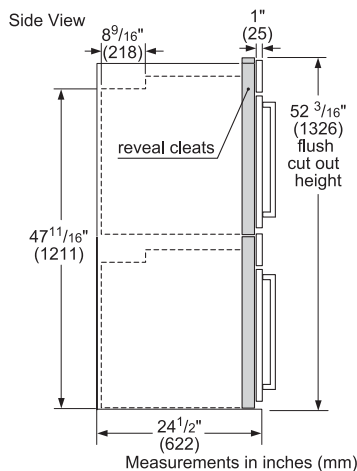
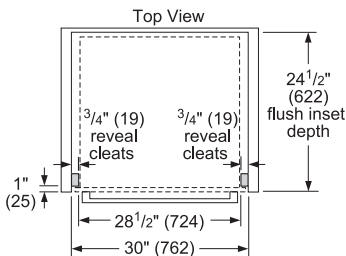
30" SideOpening Left Swing Door Flush Installation



30" SideOpening Right Swing Door Flush Installation



30" Double Wall Oven Flush Installation



Measurements in inches (mm)

NOTE: Bosch double wall ovens can be installed in combination with other Bosch cooking products. See pages 71 and 74 for details.

500 / 800 Series Double Ovens



30" 500 Series
HBL5551UC

- 4.6 cu. ft.
- Thermal Cooking (U&L)
- Stainless Steel Knobs



500 Series
30" HBL5651UC
27" HBN5651UC

- 4.6 cu. ft.
- + European Convection (U), Thermal Cooking (L)

27"



800 Series
30" HBL8651UC
30" HBL8661UC
27" HBN8651UC

- 4.6 cu. ft.
- European Convection (U), Thermal Cooking (L)
- + QuietClose® Door (U&L)
- + Extension Rack (U)
- + Meat Probe (U)

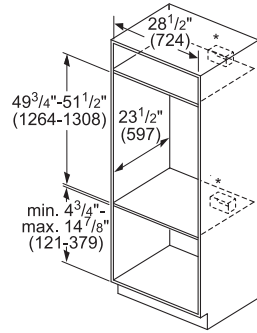
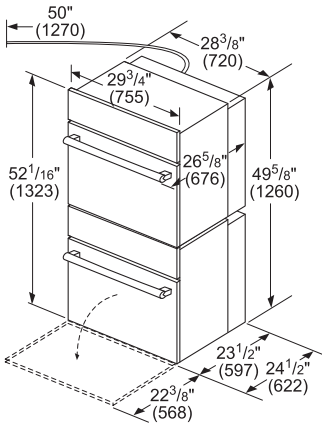
Black
27"

+ Indicates a step-up feature
U=Upper; L=Lower

	500 Series	500 Series	800 Series
	30" Stainless Steel – HBL5551UC	30" Stainless Steel – HBL5651UC 27" Stainless Steel – HBN5651UC	30" Stainless Steel – HBL8651UC 30" Black – HBL8661UC 27" Stainless Steel – HBN8651UC
General Properties			
Cooking modes – upper cavity	Bake, Variable Broil (Hi & Low), Roast, Warm, Sabbath	Bake, Variable Broil (Hi & Low), Roast, Warm, Sabbath, Proof Dough, Convection Bake, Convection Broil, Convection Roast, Pizza, Multi Rack Genuine European Convection, Convection Conversion	Bake, Variable Broil (Hi & Low), Roast, Warm, Sabbath, Proof Dough, Convection Bake, Convection Broil, Convection Roast, Pizza, Multi Rack Genuine European Convection, Convection Conversion, Temperature Probe, Fast Preheat
Cooking modes – lower cavity	Bake, Variable Broil (Hi & Low), Roast, Warm, Sabbath	Bake, Variable Broil (Hi & Low), Roast, Warm, Sabbath	Bake, Variable Broil (Hi & Low), Roast, Warm, Sabbath
Cleaning type – upper & lower cavity	Self clean	Self clean	Self clean
Telescopic rack	0	0	1
Illumination type – upper & lower cavity	Incandescent	Incandescent	Incandescent
Interior lights – upper cavity	1	30": 1; 27": 2	2
Interior lights – lower cavity	1	30": 1; 27": 2	30": 1; 27": 2
Oven Performance			
Bake / Broil element wattages – upper & lower cavity	2,400 / 3,800 W	2,400 / 3,800 W	2,400 / 3,800 W
Convection element wattages – upper cavity	N/A	2,000 W	2,000 W
Technical Details			
Watts (W)	7,805 W	30": 8,455 W; 27": 8,535 W	30": 8,495 W; 27": 8,535 W
Volts (V), Frequency (Hz), Circuit breaker (A)	240 / 208 V, 60 Hz, 40 A	240 / 208 V, 60 Hz, 40 A	240 / 208 V, 60 Hz, 40 A
Power cord length (in); Plug type	50"; Fixed connection, no plug	50"; Fixed connection, no plug	50"; Fixed connection, no plug
Energy source	Electric	Electric	Electric
Dimensions & Weight			
Overall appliance dimensions (HxWxD) (in)	52 1/16" x 29 3/4" x 24 1/2"	30": 52 1/16" x 29 3/4" x 24 1/2" 27": 52 1/16" x 26 3/4" x 24 1/2"	30": 52 1/16" x 29 3/4" x 24 1/2" 27": 52 1/16" x 26 3/4" x 24 1/2"
Required cutout size (HxWxD) (in)	49 3/4" – 51 1/2" x 28 1/2" x 23 1/2"	30": 49 3/4"–51 1/2" x 28 1/2" x 23 1/2" 27": 49 3/4"–51 1/2" x 25 1/2" x 23 1/2"	30": 49 3/4"–51 1/2" x 28 1/2" x 23 1/2" 27": 49 3/4"–51 1/2" x 25 1/2" x 23 1/2"
Oven cavity size (cu. ft.)	4.6	30": 4.6; 27": 3.9	30": 4.6; 27": 3.9
Overall oven interior dimensions (HxWxD) (in)	17 13/16" x 24 1/8" x 18"	30": 17 13/16" x 24 1/8" x 18" 27": 17 13/16" x 21 1/16" x 18"	30": 17 13/16" x 24 1/8" x 18" 27": 17 13/16" x 21 1/16" x 18"
Usable oven interior dimensions (HxWxD) (in)	12 5/16" x 23 1/4" x 15 1/4"	30": 12 5/16" x 23 1/4" x 15 1/4" 27": 12 5/16" x 20 1/4" x 15 1/4"	30": 12 5/16" x 23 1/4" x 15 1/4" 27": 12 5/16" x 20 1/4" x 15 1/4"
Net weight (lbs)	261 lbs	30": 261 lbs; 27": 243 lbs	30": 261 lbs; 27": 243 lbs
Accessories – Included			
	Upper oven: 2 standard oven racks lower oven: 2 standard oven racks	Upper oven: 2 standard oven racks lower oven: 2 standard oven racks	Upper oven: 1 telescopic and 2 standard oven racks, temperature probe lower oven: 2 standard oven racks

500 / 800 Series Double Ovens

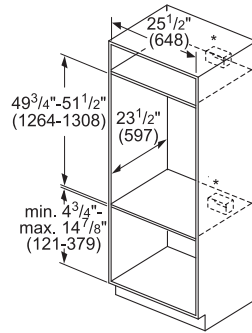
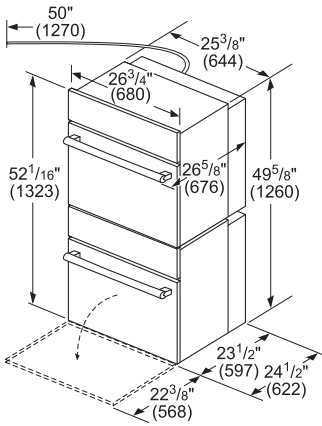
30" Double Wall Oven



* Junction box may be installed above, below, or to the left or right of the unit within range of the power conduit.

measurements in inches (mm)

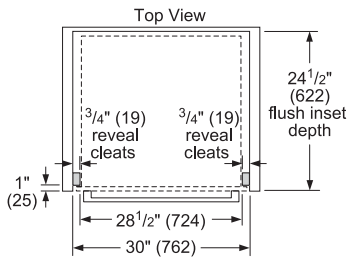
27" Double Wall Oven



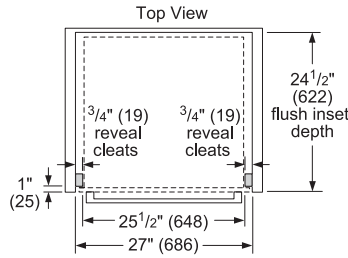
* Junction box may be installed above, below, or to the left or right of the unit within range of the power conduit.

measurements in inches (mm)

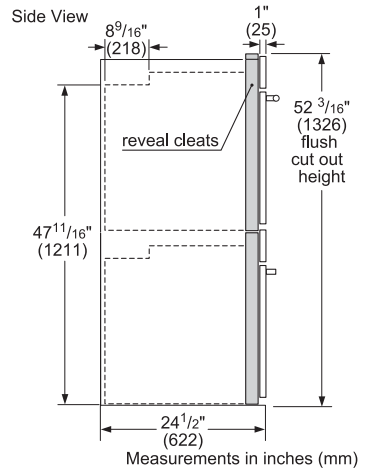
30" Double Wall Oven Flush Install



27" Single Wall Oven Flush Install



Double Wall Oven Flush Installation



Measurements in inches (mm)

NOTE: Bosch double wall ovens can be installed in combination with other Bosch cooking products. See pages 71 and 74 for details.

Optional Accessories for 30" Double Wall Ovens



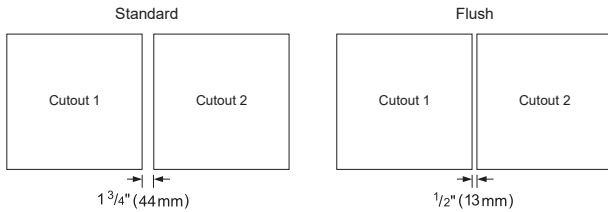
HEZTR301
30" Telescopic Rack

Guide to Installing Bosch Wall Ovens with Other Products



Benchmark® Wall Ovens (All Models)

Side-by-Side Installation.



The ovens will overlap the cutout resulting in a 1 1/2" (13mm) spacing between the products

IMPORTANT: The spacing between cutouts applies when installing any Bosch 30" or 27" single, double, combination and 27"/30" compact oven in a side-by-side installation.

SideOpening Door Models: If another product is installed adjacent to the side hinge we recommend to increase each distance by an additional 1/4" (6mm) to leave room for the door to open and close freely.

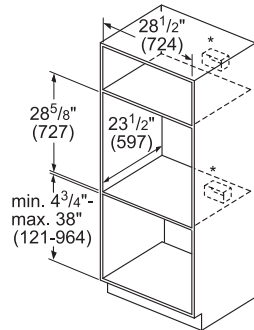
NOTE: Horizontal installation of a 27" oven next to a 27" speed oven with warming drawer is possible, but the speed oven and warming drawer require either two cutouts or one cutout with a shelf support in between.

Benchmark® Steam Convection Oven

Installed in combination with other products.

Standard Installation

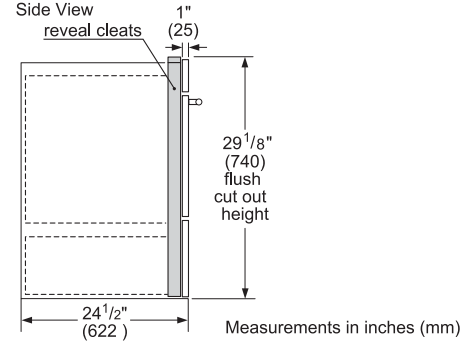
30" Steam Convection Oven over Storage or Warming Drawer



* For installation into a wall cabinet, the receptacle may be installed above, below, or to the left or right of the unit within range of the power cord.

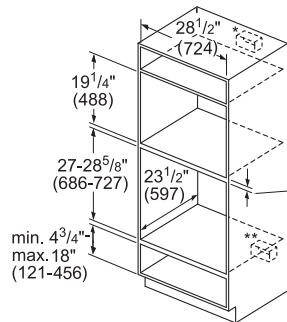
Flush Installation

Steam Convection Oven over Storage or Warming Drawer



Standard Installation

30" Steam Convection Oven over Single Oven***



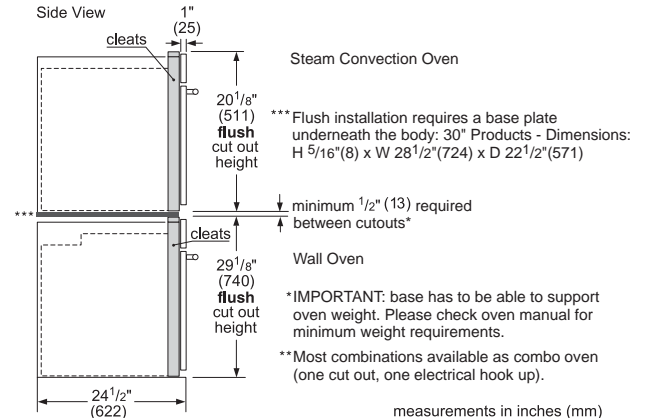
*Junction box may be located above or next to the unit within the reach of the power cord.
 **Junction box may be located below (depending on space) or next to the unit within the reach of the power cord.
 ***Most combinations available as combo oven (one cut out, one electrical hook up).
 Minimum dimension between cut outs:
 • 1" (25mm) for wall oven cut out of 28 5/8"
 • 2 5/8" (67mm) for wall oven cut out of 27"

measurements in inches (mm)

NOTE: This configuration is available as a combo oven (one cut out, one electrical hook up) – HSLP751UC

Flush Installation

Steam Convection Oven over Single Oven**



Steam Convection Oven
 *** Flush installation requires a base plate underneath the body: 30" Products - Dimensions: H 5 5/16"(8) x W 28 1/2"(724) x D 22 1/2"(571)
 minimum 1/2" (13) required between cutouts*
 Wall Oven
 *IMPORTANT: base has to be able to support oven weight. Please check oven manual for minimum weight requirements.
 ** Most combinations available as combo oven (one cut out, one electrical hook up).

measurements in inches (mm)

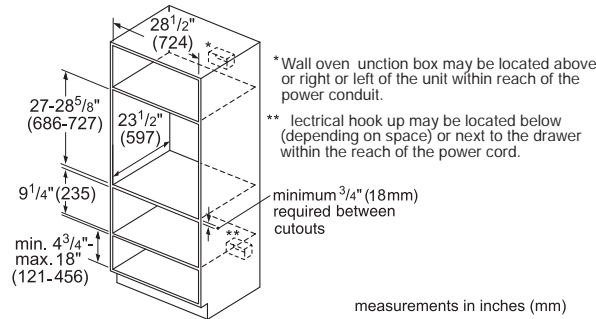
NOTE: This configuration available as a combo oven. See Note at left for details.

Benchmark® Single Wall Ovens

Installed in combination with other products.

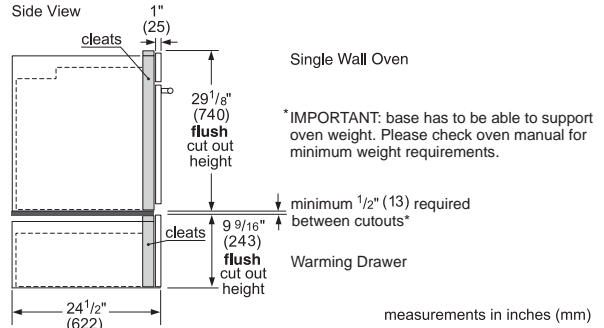
Standard Installation

30" Single Oven over Storage or Warming Drawer



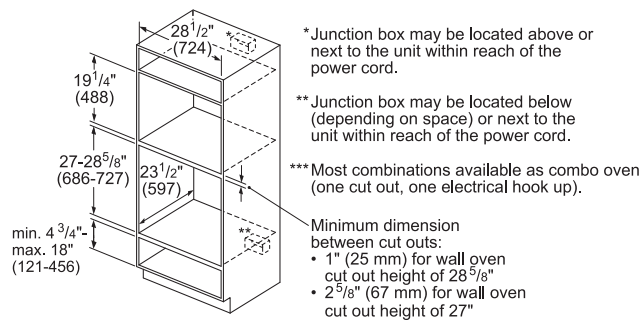
Flush Installation

Single Oven over Storage or Warming Drawer



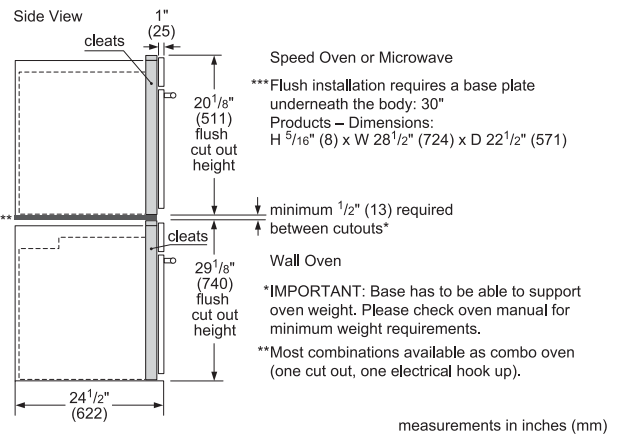
Standard Installation

30" Speed Oven or Microwave over Single Oven***



Flush Installation

Speed Oven or Microwave over 30" Single Oven**

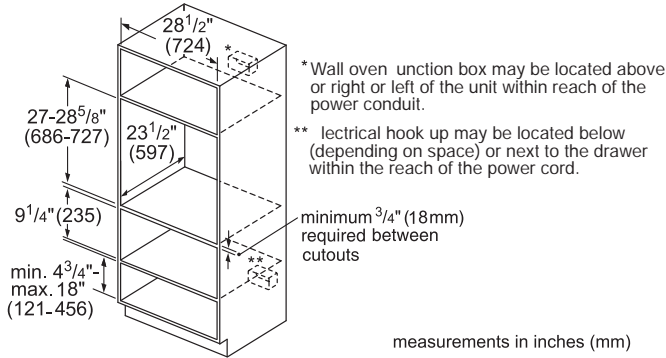


Benchmark® Single Wall Ovens SideOpening Door

Installed in combination with other products.

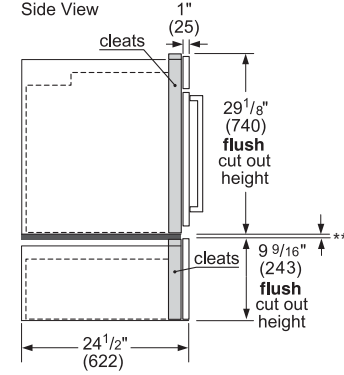
Standard Installation

30" Single Oven over Storage or Warming Drawer



Flush Installation

Single Oven over Storage or Warming Drawer



* IMPORTANT: base has to be able to support oven weight. Please check oven manual for minimum weight requirements.

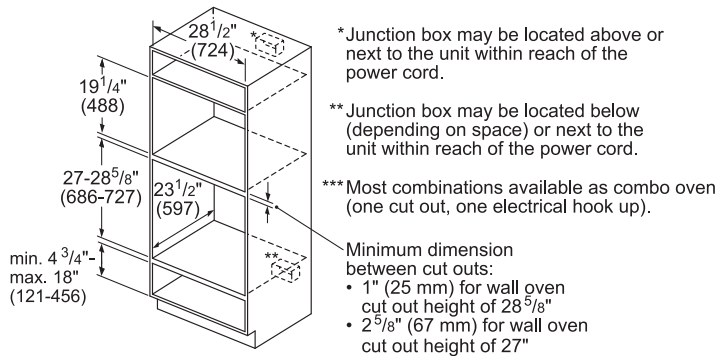
** minimum 1/2" (13) required between cutouts*

Warming Drawer

measurements in inches (mm)

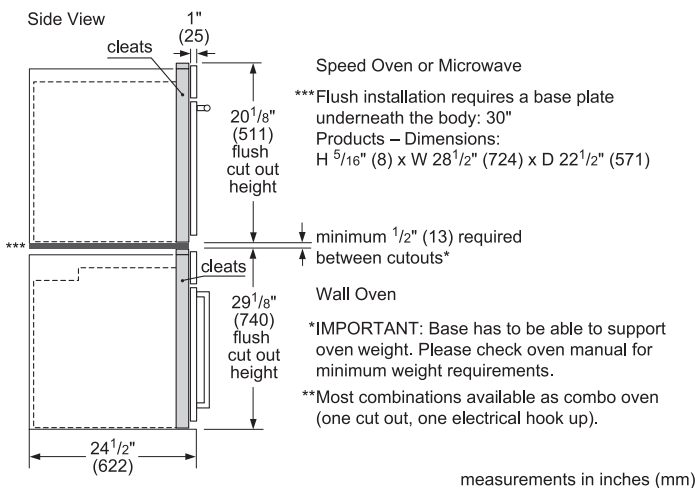
Standard Installation

30" Speed Oven or Microwave over Single Oven***



Flush Installation

Speed Oven or Microwave over 30" Single Oven**

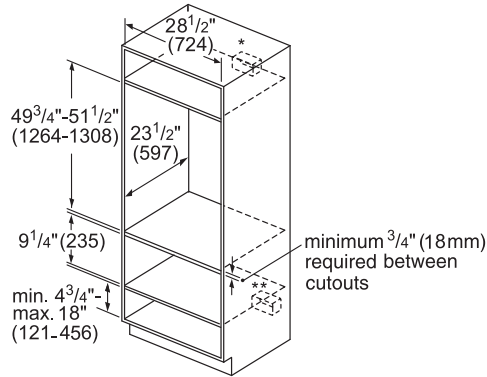


Benchmark® Double Wall Ovens

Installed in combination with other products.

Standard Installation

30" Double Oven over Storage or Warming Drawer



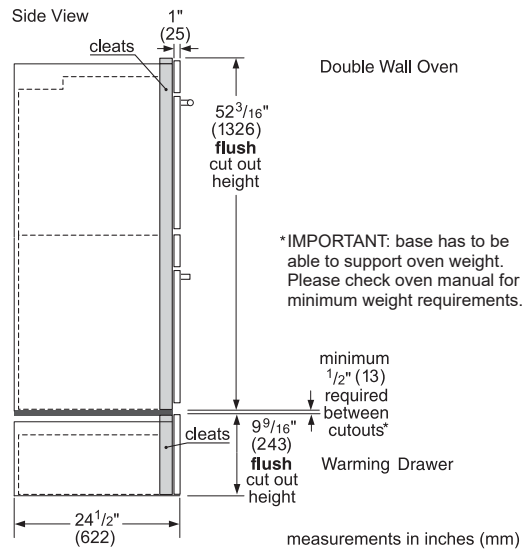
measurements in inches (mm)

* Wall oven junction box may be located above or right or left of the unit within reach of the power conduit.

** Electrical hook up may be located below (depending on space) or next to the drawer within the reach of the power cord.

Flush Installation

Double Oven over Storage or Warming Drawer



measurements in inches (mm)

*IMPORTANT: base has to be able to support oven weight. Please check oven manual for minimum weight requirements.

minimum 1/2" (13) required between cutouts*

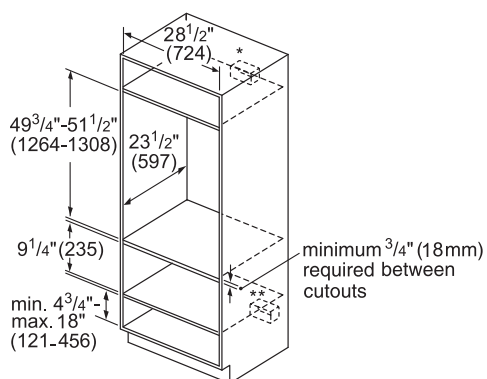
Benchmark® Double Wall Ovens

SideOpening Door

Installed in combination with other products.

Standard Installation

30" Double Oven over Storage or Warming Drawer



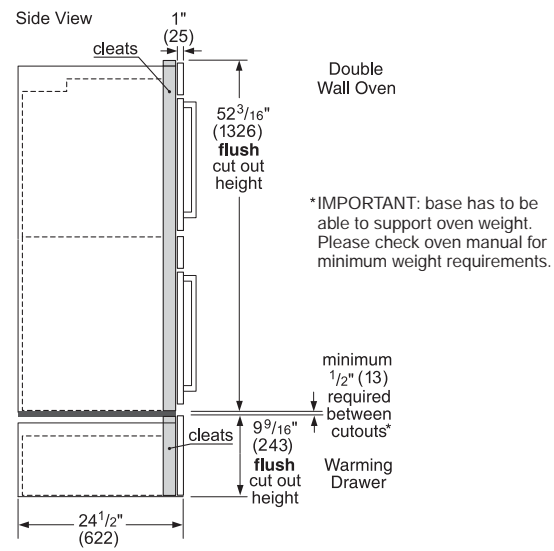
measurements in inches (mm)

* Wall oven junction box may be located above or right or left of the unit within reach of the power conduit.

** Electrical hook up may be located below (depending on space) or next to the drawer within the reach of the power cord.

Flush Installation

Double Oven over Storage or Warming Drawer



measurements in inches (mm)

*IMPORTANT: base has to be able to support oven weight. Please check oven manual for minimum weight requirements.

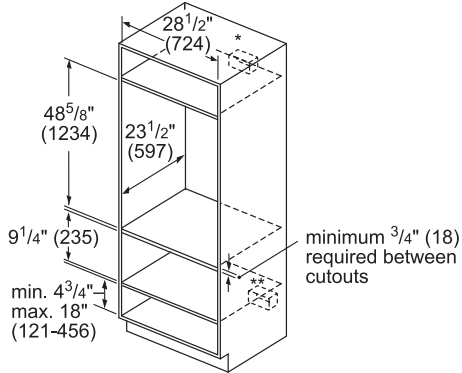
minimum 1/2" (13) required between cutouts*

Benchmark® Combination Ovens

Installed in combination with other products.

Standard Installation

Combination Oven over Storage or Warming Drawer



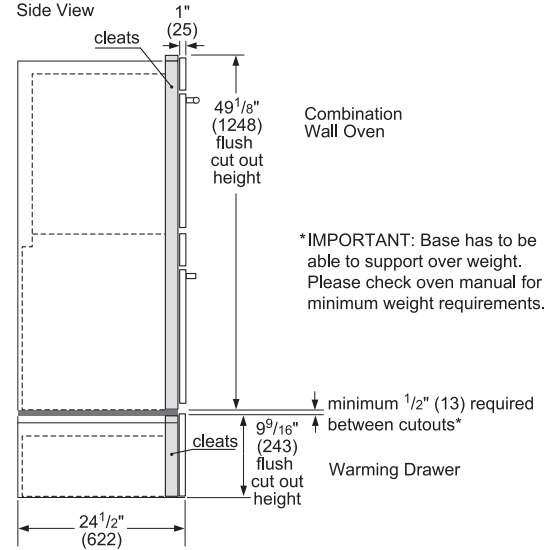
* Wall oven junction box may be located above or right or left of the unit within reach of the power conduit.

** Electrical hook up may be located below (depending on space) or next to the drawer within the reach of the power cord.

Measurements in inches (mm)

Flush Installation

Combination Oven over Storage or Warming Drawer

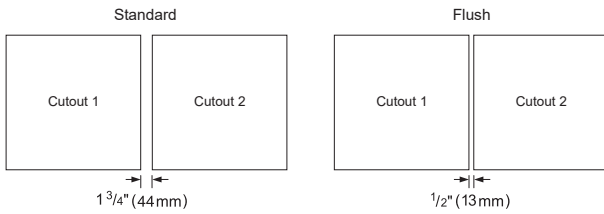


* IMPORTANT: Base has to be able to support over weight. Please check oven manual for minimum weight requirements.

Measurements in inches (mm)

500 / 800 Series Wall Ovens (All Models)

Side-by-Side Installation.



The ovens will overlap the cutout resulting in a 1/2" (13mm) spacing between the products

IMPORTANT: The spacing between cutouts applies when installing any Bosch 30" or 27" single, double, combination and 27"/30" compact oven in a side-by-side installation.

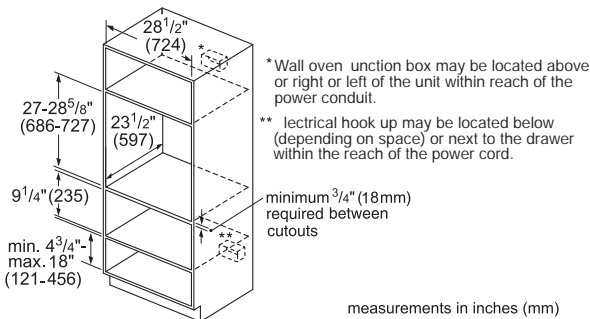
SideOpening Door Models: If another product is installed adjacent to the side hinge we recommend to increase each distance by an additional 1/4" (6mm) to leave room for the door to open and close freely.

NOTE: Horizontal installation of a 27" oven next to a 27" speed oven with warming drawer is possible, but the speed oven and warming drawer require either two cutouts or one cutout with a shelf support in between.

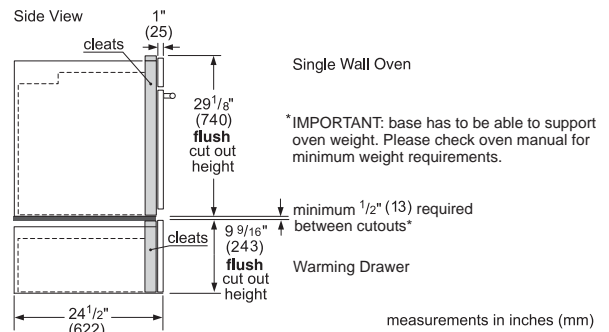
500 / 800 Series 30" Single Wall Ovens

Installed in combination with other products.

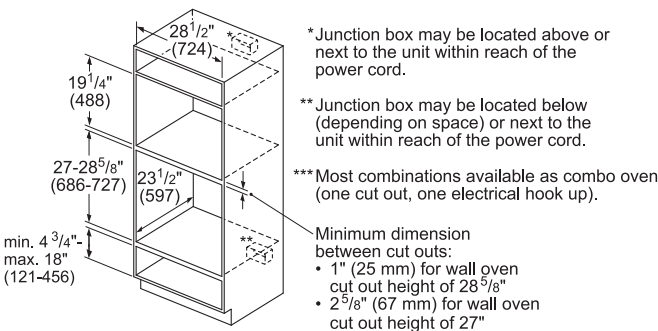
Standard Installation 30" Single Oven over Storage or Warming Drawer



Flush Installation Single Oven over Storage or Warming Drawer

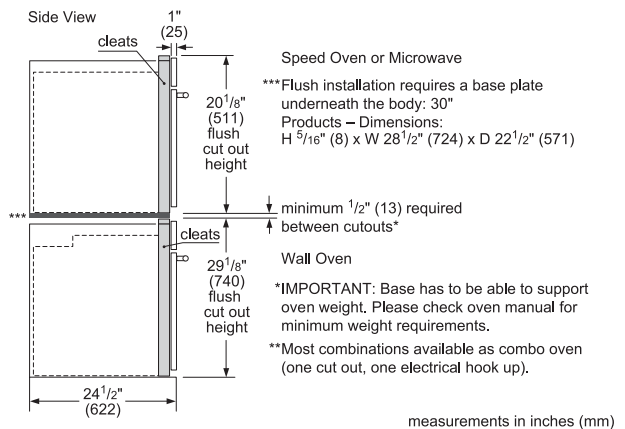


Standard Installation 30" Speed Oven or Microwave over Single Oven***



NOTE: This configuration is available as a combo oven (one cut out, one electrical hook up) – HBL57M52UC (500 series), HBL8752UC (800 series) and HBL87M52UC (800 series)

Flush Installation Speed Oven or Microwave over 30" Single Oven**



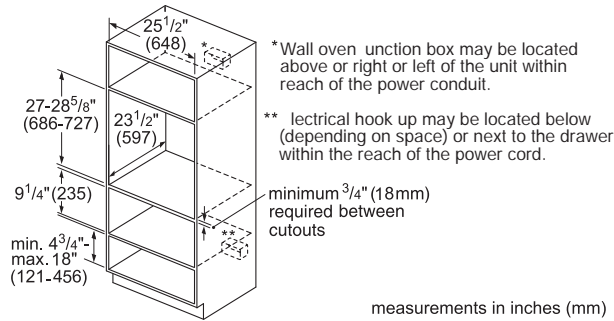
NOTE: This configuration available as a combo oven. See Note at left for details.

500 / 800 Series 27" Single Wall Ovens

Installed in combination with other products.

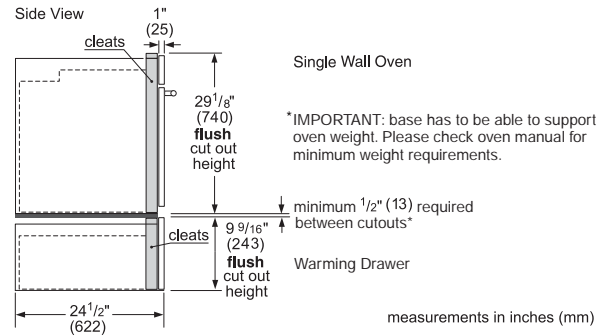
Standard Installation

27" Single Oven over Warming Drawer



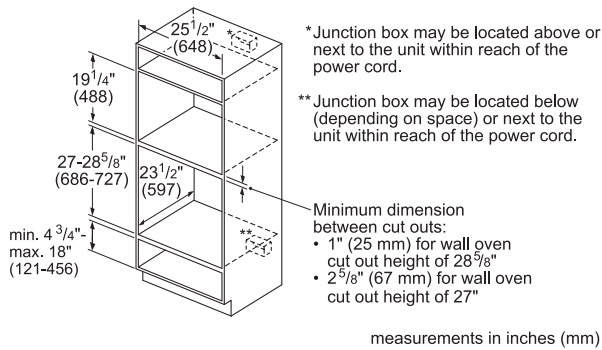
Flush Installation

Single Oven over Warming Drawer



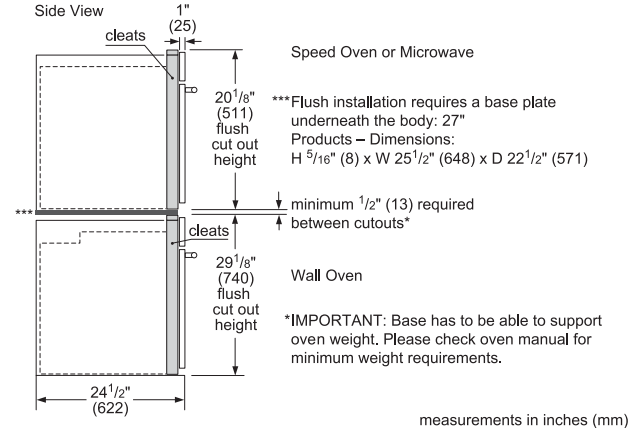
Standard Installation

27" Speed Oven or Microwave over Single Oven



Flush Installation

Speed Oven or Microwave over 27" Single Oven

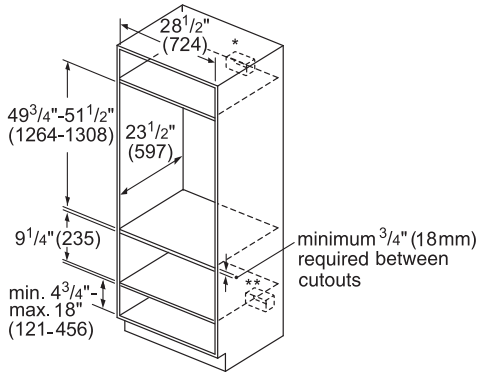


500 / 800 Series 30" Double Wall Ovens

Installed in combination with other products.

Standard Installation

30" Double Oven over Storage or Warming Drawer



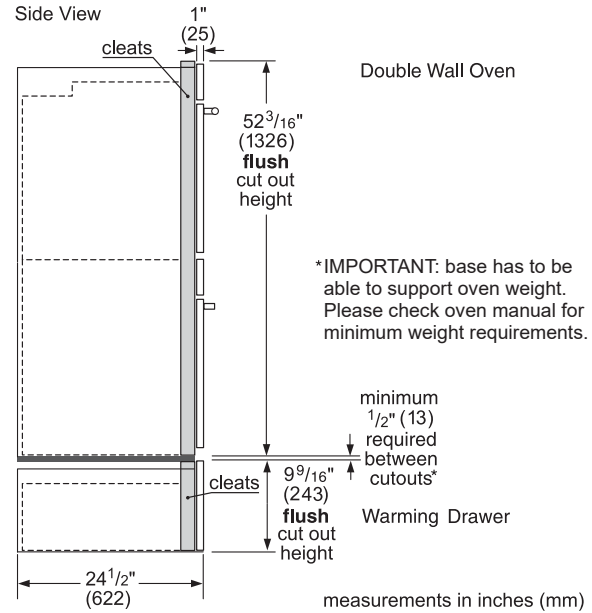
measurements in inches (mm)

* Wall oven junction box may be located above or right or left of the unit within reach of the power conduit.

** Electrical hook up may be located below (depending on space) or next to the drawer within the reach of the power cord.

Flush Installation

Double Oven over Storage or Warming Drawer



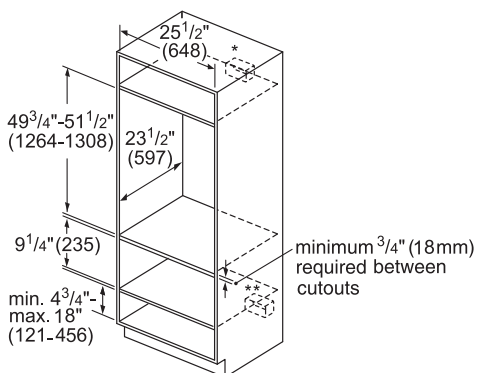
measurements in inches (mm)

500 / 800 Series 27" Double Wall Ovens

Installed in combination with other products.

Standard Installation

27" Double Oven over Warming Drawer



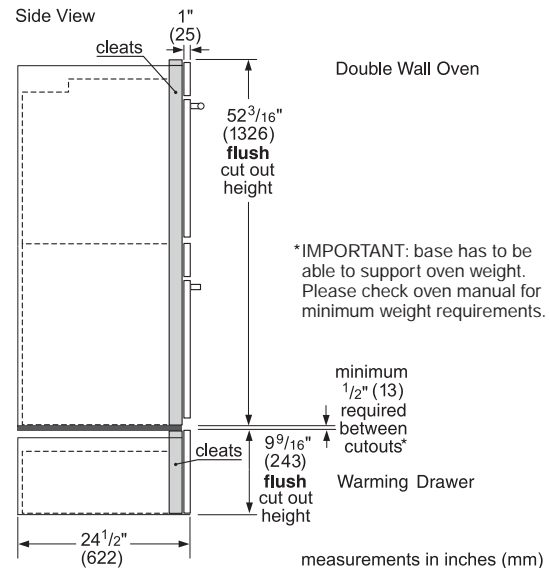
measurements in inches (mm)

* Wall oven junction box may be located above or right or left of the unit within reach of the power conduit.

** Electrical hook up may be located below (depending on space) or next to the drawer within the reach of the power cord.

Flush Installation

Double Oven over Warming Drawer



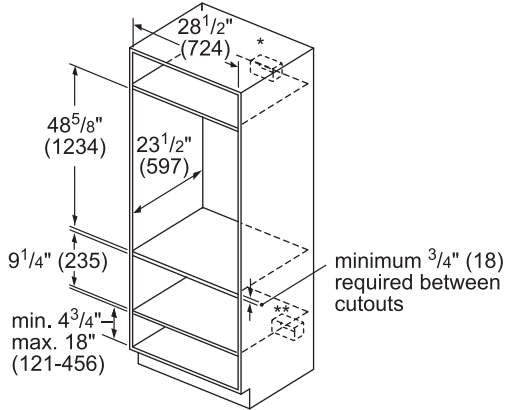
measurements in inches (mm)

500 / 800 Speed Combination Ovens

Installed in combination with other products.

Standard Installation

Combination Oven over Storage or Warming Drawer



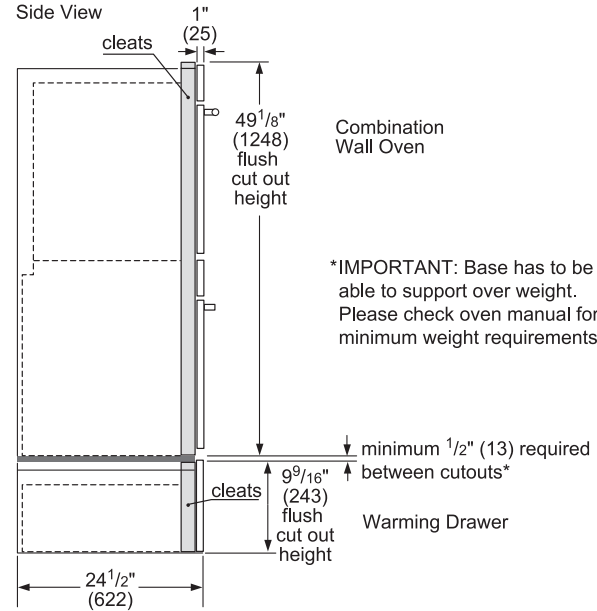
* Wall oven junction box may be located above or right or left of the unit within reach of the power conduit.

** Electrical hook up may be located below (depending on space) or next to the drawer within the reach of the power cord.

Measurements in inches (mm)

Flush Installation

Combination Oven over Storage or Warming Drawer



*IMPORTANT: Base has to be able to support over weight. Please check oven manual for minimum weight requirements.

Measurements in inches (mm)



Microwaves & Drawers

Bosch microwaves simplify snack and mealtime by making it easier than ever to prepare foods at the touch of a button. Built in, over-the-range or in a discreet drawer style, Bosch microwaves have automatic sensors to remove the guesswork from cooking and reheating. Our speed ovens combine convection and microwave technology to get meals on the table faster—freeing up more time for other things. The Bosch 27" or 30" speed ovens can be combined with a warming drawer or storage drawer to align horizontally with our single wall oven. With speed, intuitive controls, large capacities and a clean aesthetic, Bosch microwaves and speed ovens lend a trusted hand in the kitchen when fitting cooking into your busy day.





Benchmark® Microwaves

Speed oven



Microwave plus convection

Our 2-in-1 microwave and convection speed oven has 12 microwave programs, 9 AutoChef® speed programs and SpeedChef™ that offers faster cooking times.



Built-in design

Designed to fit perfectly above a warming or storage drawer.

Over-the-range microwave



Even cooking

Triple distribution system provides more even cooking.



Over-the-range design

Designed to fit conveniently over a slide-in range.

Benchmark® Speed Oven



30" Benchmark®
HMCP0252UC

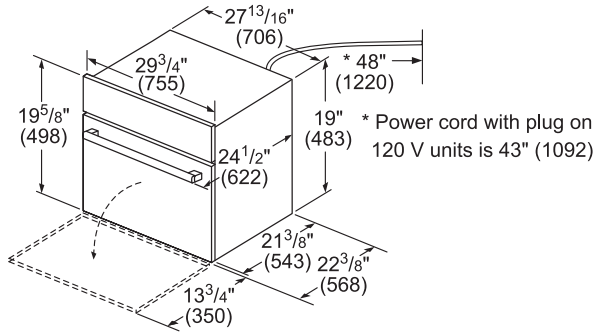
- 1.6 cu. ft.
- European Convection, Broil, Microwave
- SpeedChef™ Cooking Modes Offer Faster Cooking Times
- TFT Display
- 240v, Direct Wire

NOTE: Bosch speed ovens can be installed in combination with other Bosch cooking products. See pages 71–73 for details.

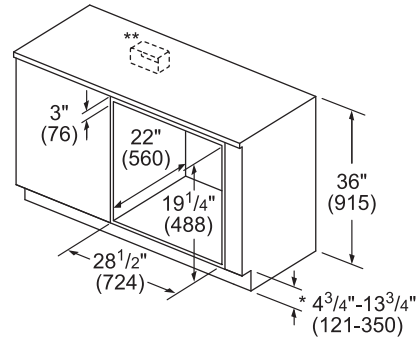
Benchmark®	
Stainless Steel – HMCP0252UC	
General Properties	
Cavity material	Stainless steel
Max. microwave power (W)	1,000 W
Capacity	
Cavity capacity (cu. ft.)	1.6
Turntable diameter (in.)	14 1/8"
Technical Details	
Watts (W)	3,840 W
Circuit breaker (A)	20 A
Volts (V)	208 – 240 V
Frequency (Hz)	60 Hz
Power cord length (in.)	48"
Plug type	Fixed connection, 8" stripped wires
Dimensions & Weight	
Overall appliance dimensions (HxWxD) (in.)	19 5/8" x 29 3/4" x 22 3/8"
Required cutout size (HxWxD) (in.)	Standard: 19 1/4" x 28 1/2" x 22" Flush: 20 1/8" x 30" x 23 1/2"
Oven overall interior dimensions (HxWxD) (in.)	9 7/8" x 16 1/2" x 16 1/2"
Turntable – metal max. cookware	12 3/4" dia.
Turntable – ceramic max. cookware	12 1/2" dia.
Rack – rectangular cookware max.	15" x 12"
Net weight (lbs)	92 lbs
Accessories – Included	
Included	Metal turntable, cooking rack, ceramic cooking tray

Benchmark® Speed Oven

Product Dimensions



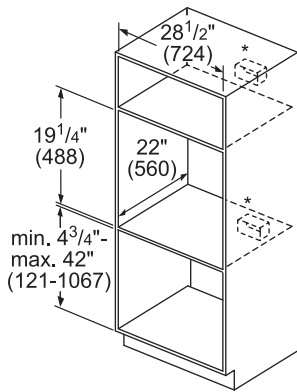
Under-Counter Installation



* Includes 3/4" (19) base plate

** Receptacle may be located to the left or right of the unit within reach of the power cord.

Wall Mounted Installation



* Receptacle may be located above or beneath the unit within reach of the power cord.

measurements in inches (mm)

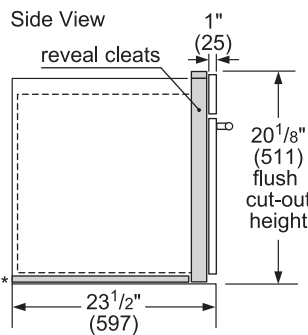
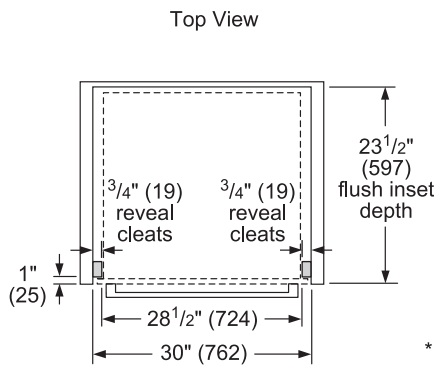
IMPORTANT: Bosch 30" Speed Oven is not approved to be installed under a cooktop.

Example Flush Install



Single wall oven shown.

Flush Installation



* Flush installation requires a 5/16" (8 mm) high x 28 1/2" (724 mm) wide x 22 1/2" (571 mm) deep baseplate underneath the unit body.

measurements in inches (mm)

500 Series 24" Speed Oven



24" 500 Series
HMC54151UC

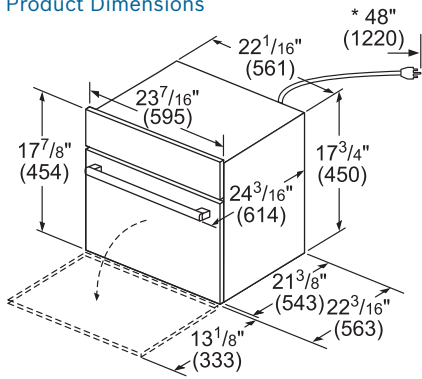
- 1.6 cu. ft.
- SpeedChef™ Cooking Modes Offer Faster Cooking Times
- Installs Flush with Kitchen Cabinetry
- 2-in-1 Microwave and Convection Oven for a Variety of Cooking Options
- 120v, NEMA 5-20 – 3 Prong Plug



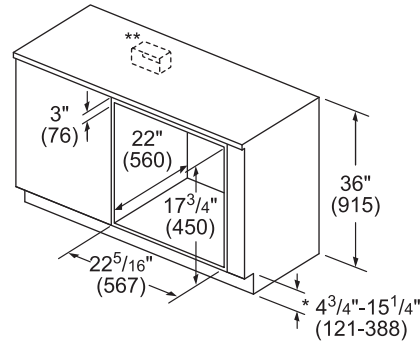
500 Series	
24" Stainless Steel – HMC54151UC	
General Properties	
Cavity material	Stainless steel
Max. microwave power (W)	1,000 W
Capacity	
Cavity capacity (cu. ft.)	1.6
Turntable diameter (in.)	14 ³ / ₁₆ "
Technical Details	
Watts (W)	1,920 W
Circuit breaker (A)	20 A
Volts (V)	120 V
Frequency (Hz)	60 Hz
Power cord length (in.)	48"
Plug type	NEMA 5-20 – 3 prong plug
Dimensions & Weight	
Overall appliance dimensions (HxWxD) (in.)	17 ⁷ / ₈ " x 23 ⁷ / ₁₆ " x 22 ¹ / ₁₆ "
Required cutout size (HxWxD) (in.)	Standard: 17 ³ / ₄ " x 22 ⁵ / ₁₆ " x 22" Flush: 18 ⁷ / ₁₆ " x 24" x 22 ³ / ₄ "
Oven overall interior dimensions (HxWxD) (in.)	9 ⁷ / ₈ " x 16 ¹ / ₂ " x 16 ¹ / ₂ "
Turntable – metal max. cookware	12 ³ / ₄ " dia.
Turntable – ceramic max. cookware	12 ¹ / ₂ " dia.
Rack – rectangular cookware max.	15" x 12"
Net weight (lbs)	83 lbs
Accessories – Included	
Included	Metal turntable, cooking rack, ceramic cooking tray

500 Series 24" Speed Oven

Product Dimensions



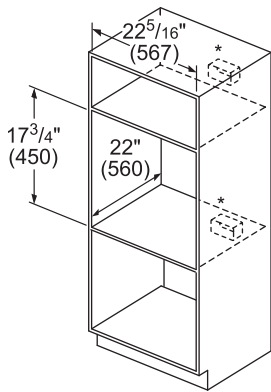
Under-Counter Installation



* Includes 3/4" (19) base plate

** Receptacle may be located to the left or right of the unit within reach of the power cord.

Wall Mounted Installation



* Receptacle may be located above or beneath the unit within reach of the power cord.

Notice:
The cabinet base must be flat and capable of supporting a weight of at least 142 lbs (64.1 kg).

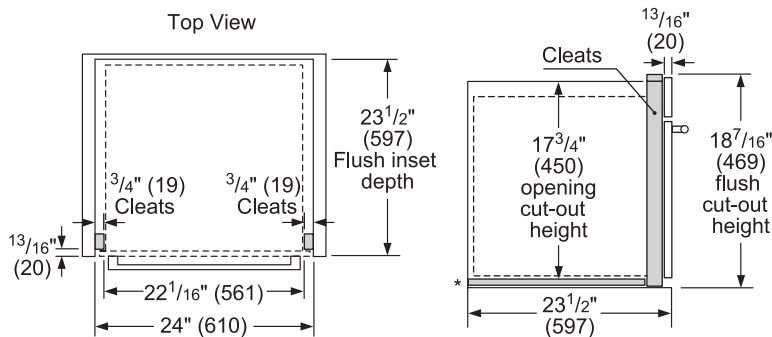
IMPORTANT: Bosch 24" Speed Oven is not approved to be installed under a cooktop.

Example Flush Install



Single wall oven shown.

Flush Installation



* Baseplate 5/16" (8)

800 Series Speed Ovens



800 Series
 30" – HMC80152UC
 27" – HMC87152UC

- 1.6 cu. ft.
- SpeedChef™ Cooking Modes Offer Faster Cooking Times
- Installs Flush with Kitchen Cabinetry
- 120v, NEMA 5-20 – 3 Prong Plug

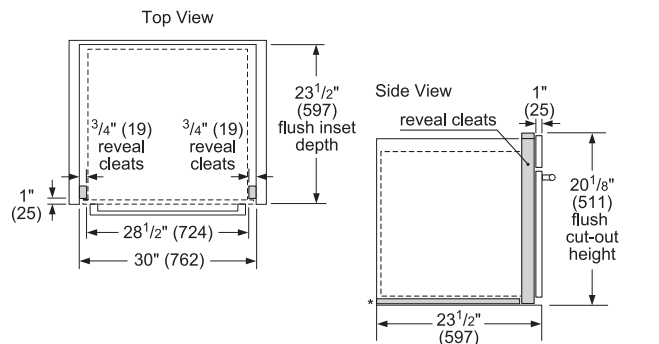


800 Series
 30" – HMC80252UC

- 1.6 cu. ft.
- SpeedChef™ Cooking Modes Offer Faster Cooking Times
- Installs Flush with Kitchen Cabinetry
- 240v, Direct Wire

	800 Series	800 Series
	30" Stainless Steel – HMC80152UC 27" Stainless Steel – HMC87152UC	Stainless Steel – HMC80252UC
General Properties		
Cavity material	Stainless steel	Stainless steel
Max. microwave power (W)	1,000 W	1,000 W
Capacity		
Cavity capacity (cu. ft.)	1.6	1.6
Turntable diameter (in.)	14 1/8"	14 1/8"
Technical Details		
Watts (W)	1,920 W	3,840 W
Circuit breaker (A)	20 A	16 A
Volts (V)	120 V	208 – 240 V
Frequency (Hz)	60 Hz	60 Hz
Power cord length (in)	43"	48"
Plug type	NEMA 5-20 – 3 prong plug	Fixed connection, 8" stripped wires
Dimensions & Weight		
Overall appliance dimensions (HxWxD) (in)	30": 19 5/8" x 29 3/4" x 22 3/8" 27": 19 5/8" x 26 3/4" x 22 3/8"	19 5/8" x 29 3/4" x 22 3/8"
Required cutout size (HxWxD) (in)	30" Standard: 19 1/4" x 28 1/2" x 22" 30" Flush: 20 1/8" x 30" x 23 1/2" 27" Standard: 19 1/4" x 25 1/2" x 22" 27" Flush: 20 1/8" x 27" x 23 1/2"	Standard: 19 1/4" x 28 1/2" x 22" Flush: 20 1/8" x 30" x 23 1/2"
Overn overall interior dimensions (HxWxD) (in.)	9 7/8" x 16 1/2" x 16 1/2"	9 7/8" x 16 1/2" x 16 1/2"
Turntable – metal max. cookware	12 3/4" dia.	12 3/4" dia.
Turntable – ceramic max. cookware	12 1/2" dia.	12 1/2" dia.
Rack – rectangular cookware max.	15" x 12"	15" x 12"
Net weight (lbs)	92 lbs / 87 lbs	92 lbs
Accessories – Included		
Included	Metal turntable, cooking rack, ceramic cooking tray	Metal turntable, cooking rack, ceramic cooking tray

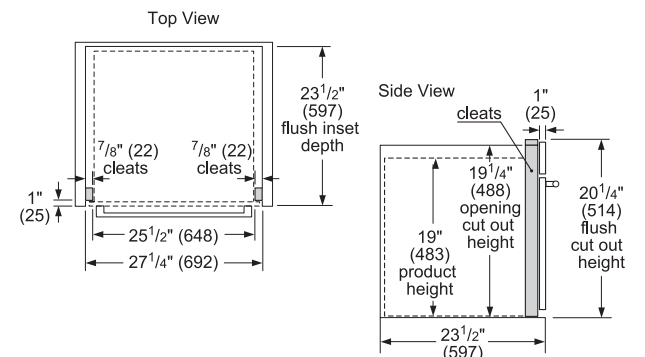
30" Flush Installation



* Flush installation requires a 5/16" (8 mm) high x 28 1/2" (724 mm) wide x 22 1/2" (571 mm) deep baseplate underneath the unit body.

measurements in inches (mm)

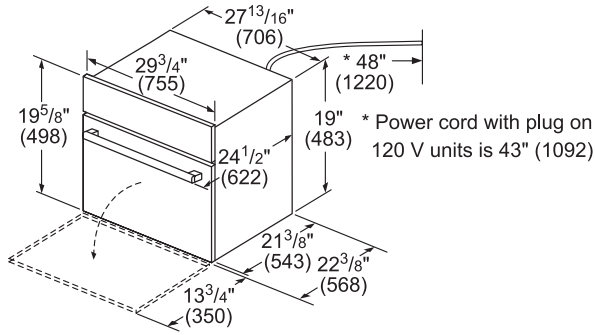
27" Flush Installation



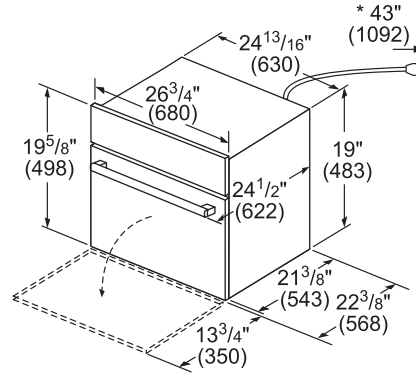
measurements in inches (mm)

800 Series Speed Ovens

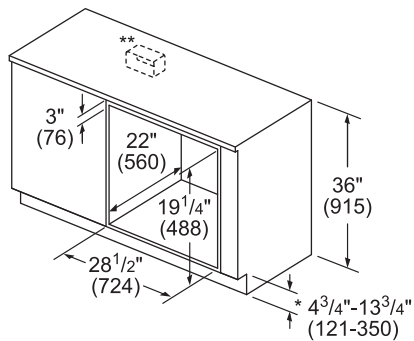
30" Speed Oven Dimensions



27" Speed Oven Dimensions



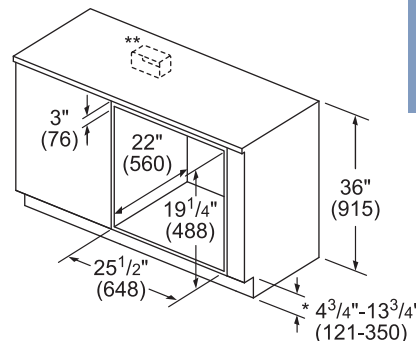
30" Speed Oven Under-Counter



* Includes 3/4" (19) base plate

** Receptacle may be located to the left or right of the unit within reach of the power cord.

27" Speed Oven Under-Counter

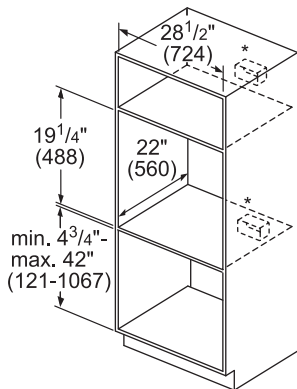


* Includes 3/4" (19) base plate

** Receptacle may be located to the left or right of the unit within reach of the power cable.

IMPORTANT: Bosch Speed Oven is not approved to be installed under a cooktop.

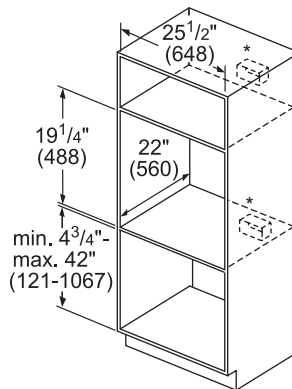
30" Speed Oven Wall-Mounted



* Receptacle may be located above or beneath the unit within reach of the power cord.

measurements in inches (mm)

27" Speed Oven Wall-Mounted



* Receptacle may be located above or beneath the unit within reach of the power cable.

measurements in inches (mm)

30" HMC80152UC
27" HMC87152UC



NEMA 5-20 Receptacle

NOTE: Bosch Speed ovens can be installed in combination with other Bosch cooking products. See pages 76–77 for details. Horizontal installation of a 27" oven next to a 27" speed oven with warming drawer is possible, but the speed oven and warming drawer require either two cutouts or one cutout with a shelf support in between.

500 Series Storage and Warming Drawers



30" 500 Series Storage Drawer
HSD5051UC

- 2.4 cu. ft.
- The Storage Drawer Fits 30" Racks, the Meat Probe and Other Cooking Relevant Utensils
- A Silicone Mat Protects the Bottom of Drawer
- Installs Vertically Under Bosch Speed, Steam or Wall Oven



500 Series Warming Drawer
30" – HWD5051UC
27" – HWD5751UC

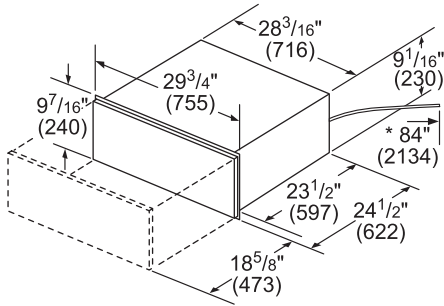
- 2.2 cu. ft. (27" is 1.9 cu. ft.)
- + Warming Drawer
- + 3 Settings, Timer
- 30" Installs Vertically Under Bosch Speed, Steam or Wall Oven
- 27" Installs Vertically Under Bosch 120V Speed, or Wall Oven (Separate Cut Outs Needed)

+ Indicates a step-up feature

	Storage Drawer	Warming Drawers
	30" Stainless Steel – HSD5051UC	30" Stainless Steel – HWD5051UC 27" Stainless Steel – HWD5751UC
General Properties		
Power levels	N/A	High, low, medium
Dough proofing mode	N/A	Yes
Temperature range	N/A	100° – 190° F
Timer 5 min. – 5 hours	N/A	Yes
Automatic shut off after 1 hour	N/A	Yes
Door opening	Push to open	Push to open
Hinges	Ball bearing hinges	Ball bearing hinges
Wattage heating element	N/A	450 W
Control type	N/A	Illuminated TouchControl
Capacity		
Cavity capacity (cu. ft.)	2.4 cu. ft.	30": 2.2 cu. ft. 27": 1.9 cu. ft.
Technical Details		
Watts (W)	N/A	450 W
Circuit breaker (A)	N/A	15 A
Volts (V)	N/A	120 V
Frequency (Hz)	N/A	60 Hz
Power cord length (in)	N/A	84"
Plug type	N/A	120V – 3 prong
Dimensions & Weight		
Overall appliance dimensions (HxWxD) (in)	9 7/16" x 29 3/4" x 23 1/2"	30": 9 7/16" x 29 3/4" x 23 1/2" 27": 9 7/16" x 26 3/4" x 23 1/2"
Required cutout size (HxWxD) (in)	9 1/4" x 28 1/2" x 23 1/2"	30": 9 1/4" x 28 1/2" x 23 1/2" 27": 9 1/4" x 25 1/2" x 23 1/2"
Net weight (lbs)	47 lbs	30": 55 lbs 27": 50 lbs
Accessories – Included		
Installation brackets	Install drawer below speed or steam oven in one cut out (identical to single wall oven cut out)	30" model: Install drawer below speed or steam oven in one cut out (identical to single wall oven cut out). Products still need to be hooked up individually.
Drawer mat	Rubber mat to protect bottom of drawer	N/A

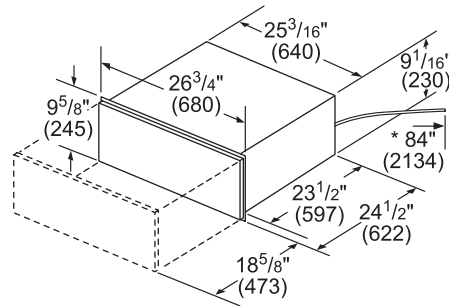
500 Series Storage and Warming Drawers

30" Storage / Warming Drawer Dimensions



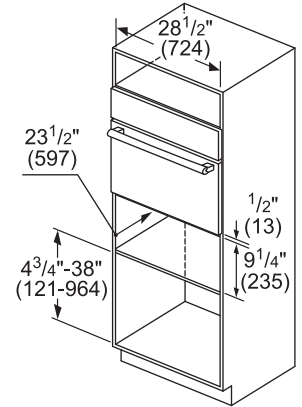
* Power cord on warming drawer is 84" (2134 mm)

27" Warming Drawer Dimensions



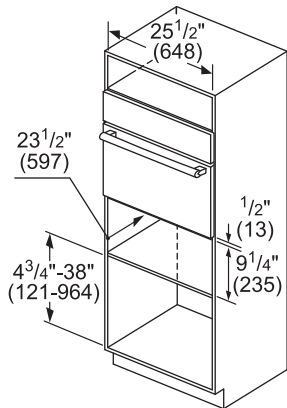
* Power cord on warming drawer is 84" (2134 mm)

30" Storage / Warming Drawer Wall-Mounted



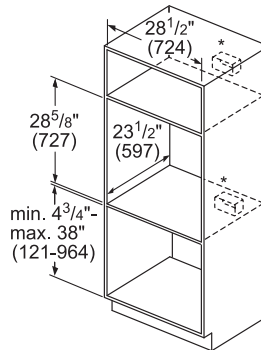
measurements in inches (mm)

27" Warming Drawer Wall-Mounted



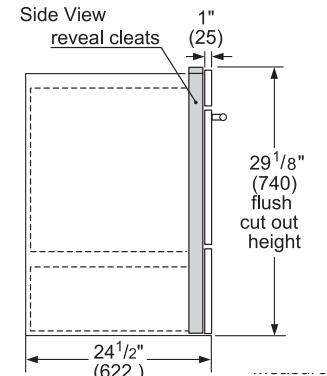
measurements in inches (mm)

30" Speed Oven Over Storage / Warming Drawer



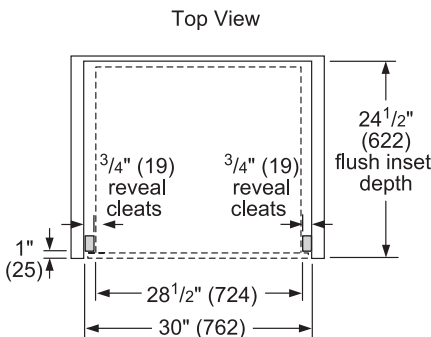
* For installation into a wall cabinet, the receptacle may be installed above, below, or to the left or right of the unit within range of the power cord.

Speed Oven Over Storage / Warming Drawer

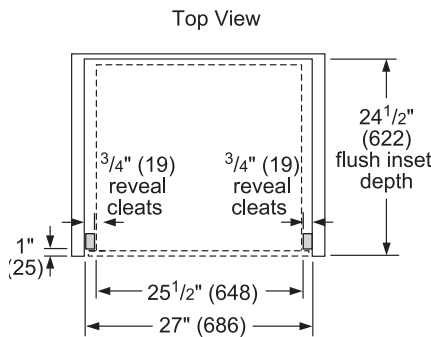


Measurements in inches (mm)

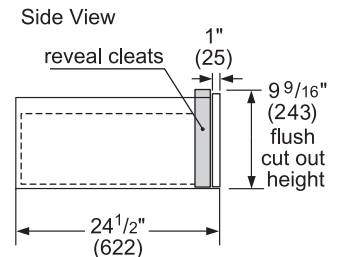
30" Flush Installation



27" Flush Installation



30" & 27" Flush Installation



NOTE: See pages 76–79 for planning and installation details when installing Bosch storage and warming drawers in combination with other Bosch products. Horizontal installation of a 27" oven next to a 27" speed oven with warming drawer is possible, but the speed oven and warming drawer require either two cutouts or one cutout with a shelf support in between.

Benchmark® Over-the-Range Microwave



30" Benchmark®
HMVP053U

- 1.8 cu. ft.
- Triple Distribution Offers More Even Cooking
- 1,450 Watts Convection Cooking
- 1,000 Watts Microwave Cooking
- Stainless Steel Cavity

30" Benchmark®

Stainless Steel – HMVP053U

General Properties

Cavity material	Stainless steel
Max. microwave power (W)	1,000 W
Max. extraction rate (CFM)	385 CFM
Ducted	Yes
Ductless	Yes
Duct size	3 1/4" x 10"

Capacity

Cavity capacity (cu. ft.)	1.8 cu. ft.
Turntable diameter (in.)	14 3/16"

Technical Details

Watts (W)	1,450 W
Circuit breaker (A)	15 A
Volts (V)	120 V
Frequency (Hz)	60 Hz
Power cord length (in.)	39"
Plug type	120V – 3 prong

Dimensions & Weight

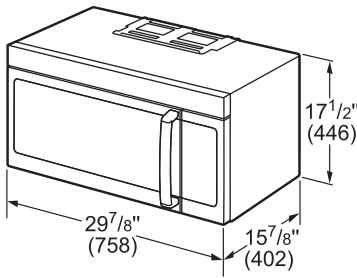
Overall appliance dimensions (HxWxD) (in)	17 1/2" x 29 7/8" x 15 7/8"
Required cutout size (HxWxD) (in)	16 1/2" min x 30" x 12" min – 14" max
Net weight (lbs)	54 lbs

Accessories – Included

Included	Two level cooking rack
----------	------------------------

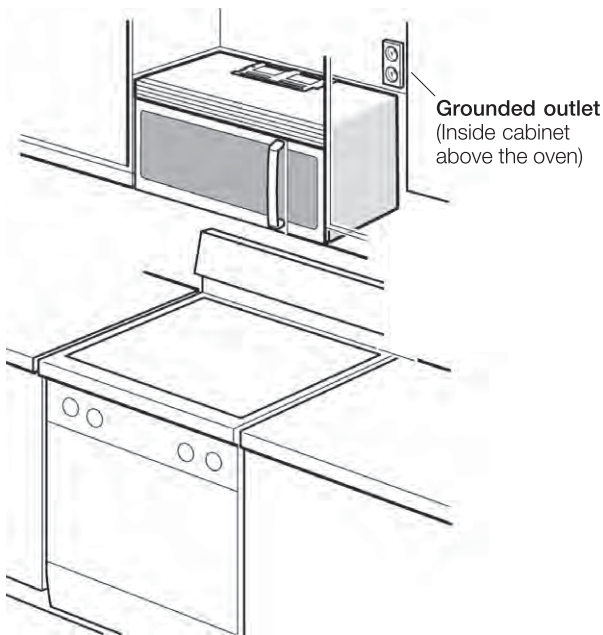
Benchmark® Over-the-Range Microwave

Product Dimensions

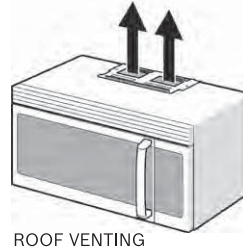


measurements in inches (mm)

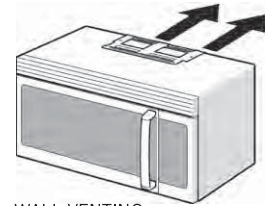
Electrical Connection



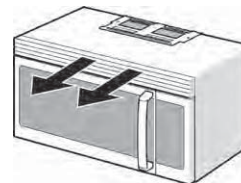
Venting Options



ROOF VENTING

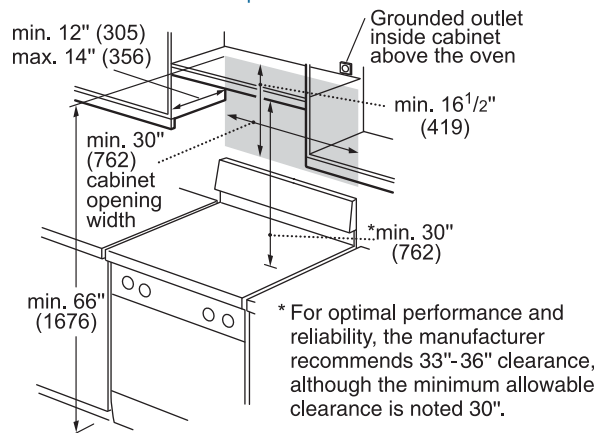


WALL VENTING



ROOM VENTING

Clearance Above Cooktop



measurements in inches (mm)

300 / 500 / 800 Series Over-the-Range Microwaves



300 Series
HMV3053U

- 1.6 cu. ft.
- 1,000 Watts Microwave Cooking
- Auto Cook Functions
- 300 CFM



500 Series
HMV5053U

- + 2.1 cu. ft.
- + 1,100 Watts Microwave Cooking
- + Sensor Cooking
- + 385 CFM



800 Series
HMV8053U

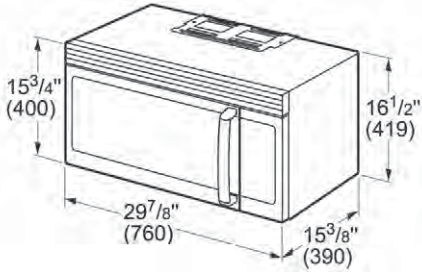
- 1.8 cu. ft.
- 1,000 Watts Microwave Cooking
- + 1,450 Watts Convection Cooking
- + Stainless Steel Cavity

+ Indicates a step-up feature

	30" – 300 Series	30" – 500 Series	30" – 800 Series
	Stainless Steel – HMV3053U	Stainless Steel – HMV5053U	Stainless Steel – HMV8053U
General Properties			
Cavity color	White	White	Stainless steel
Max. microwave power (W)	1,000 W	1,100 W	1,000 W
Max. extraction rate (CFM)	300 CFM	385 CFM	385 CFM
Ducted	Yes	Yes	Yes
Ductless	Yes	Yes	Yes
Duct size	3 1/4" x 10"	3 1/4" x 10"	3 1/4" x 10"
Capacity			
Cavity capacity (cu. ft.)	1.6 cu. ft.	2.1 cu. ft.	1.8 cu. ft.
Turntable diameter (in.)	13 5/8"	14 3/16"	14 3/16"
Technical Details			
Watts (W)	1,550 W	1,550 W	1,450 W
Circuit breaker (A)	15 A	15 A	15 A
Volts (V)	120 V	120 V	120 V
Frequency (Hz)	60 Hz	60 Hz	60 Hz
Power cord length (in)	39"	39"	39"
Plug type	120V – 3 prong	120V – 3 prong	120V – 3 prong
Dimensions & Weight			
Overall appliance dimensions (HxWxD) (in)	16 1/2" x 29 7/8" x 15 3/8"	17 1/2" x 29 7/8" x 15 7/8"	17 1/2" x 29 7/8" x 15 7/8"
Required cutout size (HxWxD) (in)	16 1/2" min x 30" x 12" min – 12 7/8" max	16 1/2" min x 30" x 12" min – 14" max	16 1/2" min x 30" x 12" min – 14" max
Net weight (lbs)	54 lbs	54 lbs	54 lbs
Accessories – Included			
Included	N/A	N/A	Two level cooking rack

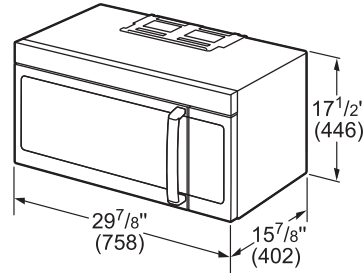
300 / 500 / 800 Series Over-the-Range Microwaves

300 Series Product Dimensions



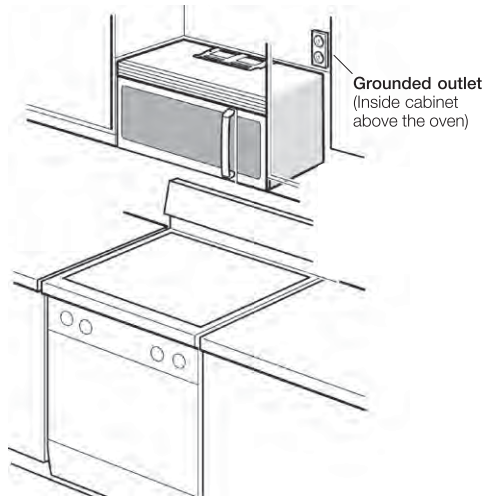
Measurements in inches
(mm) in brackets

500 / 800 Series Product Dimensions



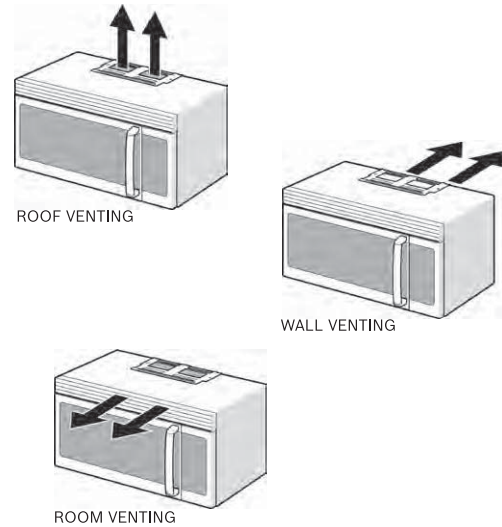
measurements in inches (mm)

300 / 500 / 800 Series Electrical Connection



Grounded outlet
(inside cabinet
above the oven)

300 / 500 / 800 Series Venting Options

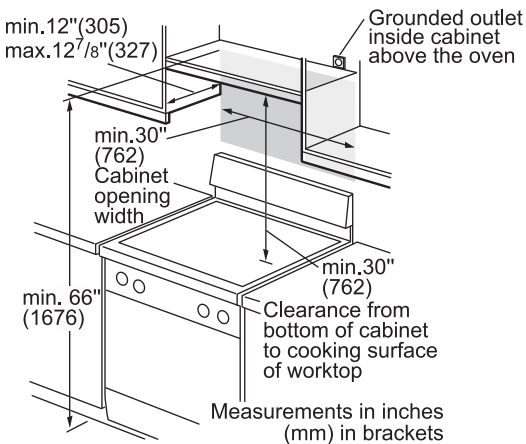


ROOF VENTING

WALL VENTING

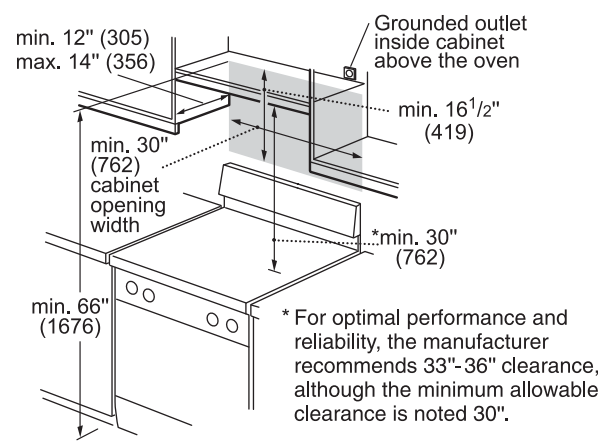
ROOM VENTING

300 Series Clearance Above Cooktop



Measurements in inches
(mm) in brackets

500 / 800 Series Clearance Above Cooktop



* For optimal performance and reliability, the manufacturer recommends 33"-36" clearance, although the minimum allowable clearance is noted 30".

measurements in inches (mm)

800 Series Drawer Microwaves



24" 800 Series
HMD8451UC

- 1.2 cu. ft.
- 950 Watts
- Microwave Cooking
- 10 Power Levels
- Flush Installation



30" 800 Series
HMD8053UC

- 1.2 cu. ft.
- 950 Watts
- Microwave Cooking
- 10 Power Levels
- Flush Installation

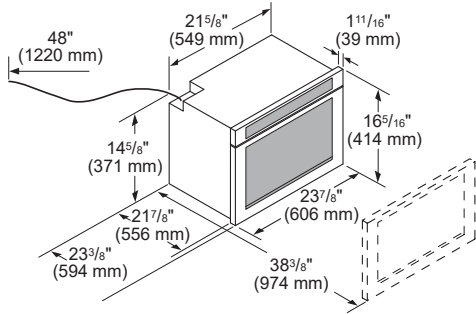
The Flush-Mount Drawer Microwave

Open your design options. The Bosch drawer microwave installs cleanly under counters, cooktops, and flush to cabinets, letting you take advantage of extra space in a kitchen island, for example. The drawer microwave opens and closes with a push of a button and is large enough to fit a 9" x 13" baking oven pan or a 4 qt. casserole dish.

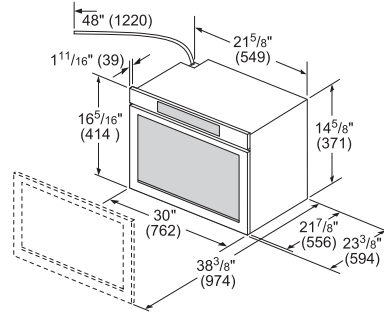
	24" – 800 Series	30" – 800 Series
	Stainless Steel – HMD8451UC	Stainless Steel – HMD8053UC
General Properties		
Cavity material	White	White
Max. microwave power (W)	950 W	950 W
Capacity		
Cavity capacity (cu. ft.)	1.2 cu. ft.	1.2 cu. ft.
Technical Details		
Watts (W)	1,500 W	1,500 W
Circuit breaker (A)	15 A	15 A
Volts (V)	120 V	120 V
Frequency (Hz)	60 Hz	60 Hz
Power cord length (in)	48"	48"
Plug type	120V – 3 prong	120V – 3 prong
Dimensions & Weight		
Overall appliance dimensions (HxWxD) (in)	16 5/16" x 23 7/8" x 23 3/8"	16 5/16" x 30" x 23 3/8"
Required cutout size (HxWxD) (in)	14 13/16" x 22 1/8" x 23 1/2"	14 13/16" x 28 1/4" x 23 1/2"
Net weight (lbs)	81 lbs	82 lbs

800 Series Drawer Microwaves

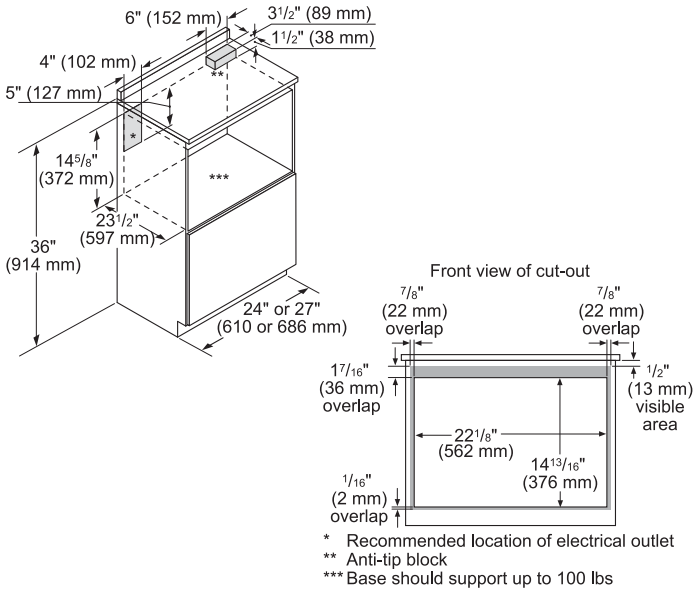
24" Drawer Microwave Dimensions



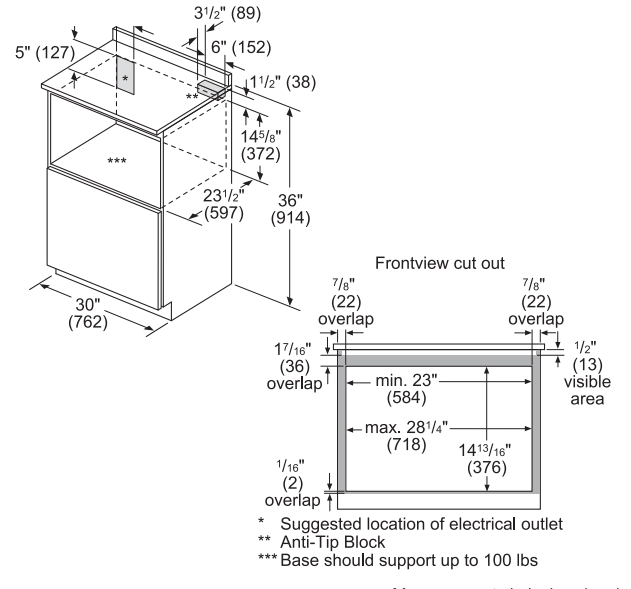
30" Drawer Microwave Dimensions



24" Drawer Microwave Standard Installation

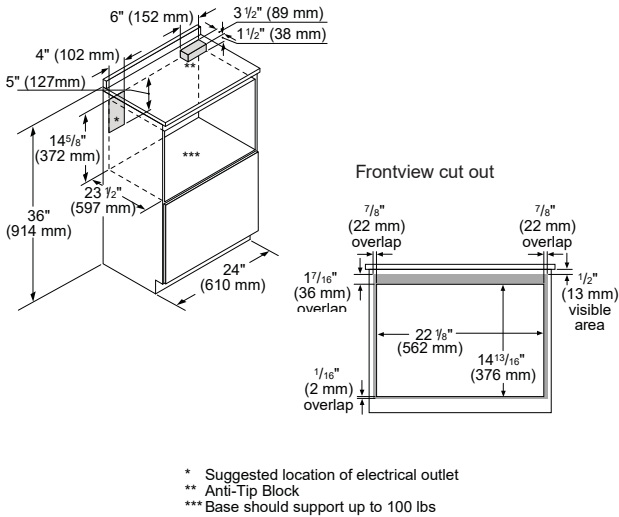


30" Drawer Microwave Standard Installation

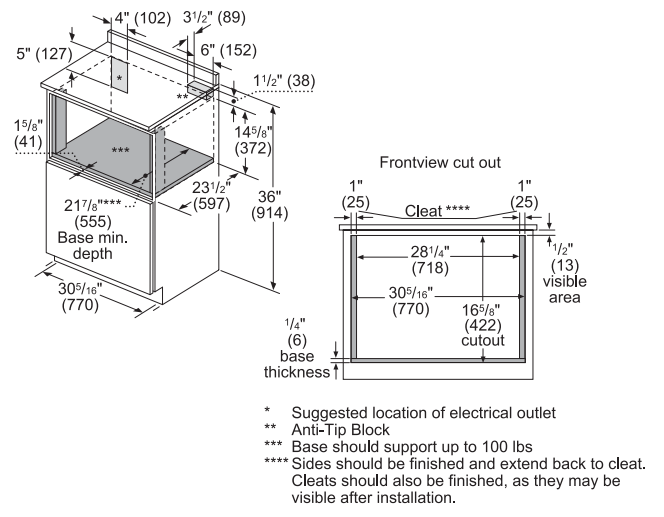


Measurements in inches (mm)

24" Drawer Microwave Flush Installation



30" Drawer Microwave Flush Installation



Measurements in inches (mm)

500 Series Built-in Microwave



24" 500 Series
 HMB5051 (Stainless Steel)
 HMB5061 (Black)

- 2.1 cu. ft.
- 1,200 Watts Microwave Cooking
- Automatic Sensor Programs
- 27" and 30" Trim Kits Available



24" – 500 Series

Stainless Steel – HMB5051
 Black – HMB5061

General Properties

Cavity color	White
Max. microwave power (W)	1,200 W

Capacity

Cavity capacity (cu. ft.)	2.1 cu. ft.
Turntable diameter (in.)	16 1/2"

Technical Details

Watts (W)	1,460 W
Circuit breaker (A)	20 A
Volts (V)	120 V
Frequency (Hz)	60 Hz
Power cord length (in)	41 5/16"
Plug type	120V – 3 prong

Dimensions & Weight

Overall appliance dimensions (HxWxD) (in)	14" x 23 7/8" x 19 7/16"
Required cutout size (HxWxD) (in)	Stainless Steel: 19 7/8" x 25 7/16" – 28 7/16" x 21" Black: 19 7/8" x 28 7/16" x 21"
Net weight (lbs)	34 lbs

Accessories – Included

Included	Glass turntable
----------	-----------------

Optional Accessories



HMT5751
 27" Stainless Steel Trim Kit



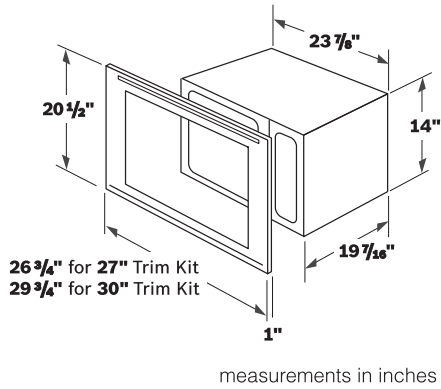
HMT5051
 30" Stainless Steel Trim Kit



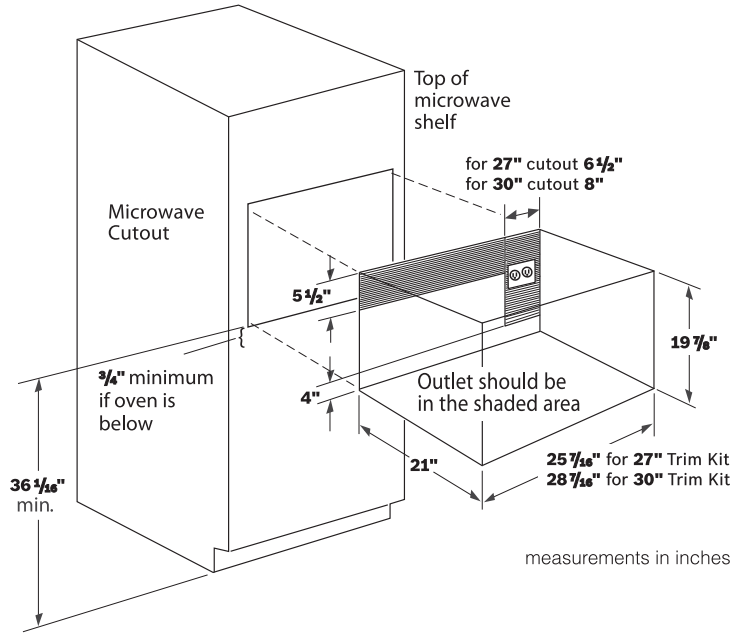
HMT5061
 30" Black Trim Kit

500 Series Built-in Microwave

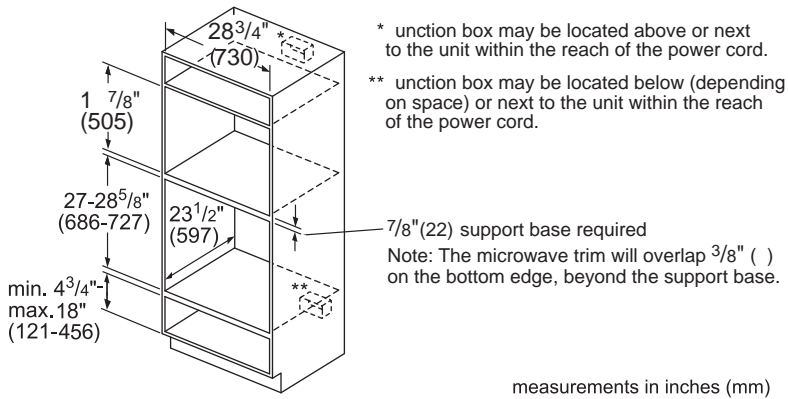
Built-in Microwave Dimensions



Built-in Microwave Installation



Built-in Microwave Installation with 30" Trim Kit Over Single Oven



500 Series Built-in Microwaves



27" 500 Series
HMB57152UC

- 1.6 cu. ft.
- 950 Watts Microwave Cooking
- Automatic Sensor Programs
- Designed to Match Bosch Wall Ovens



30" 500 Series
HMB50152UC (Stainless Steel)
HMB50162UC (Black)

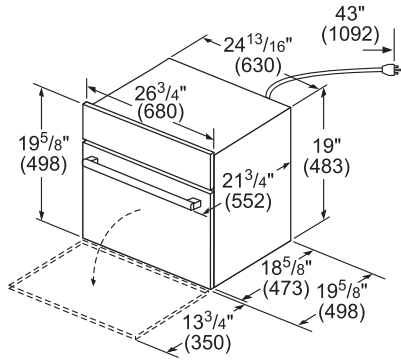
- 1.6 cu. ft.
- 950 Watts Microwave Cooking
- Automatic Sensor Programs
- Designed to Match Bosch Wall Ovens



	27" – 500 Series	30" – 500 Series
	Stainless Steel – HMB57152UC	Stainless Steel – HMB50152UC Black – HMB50162UC
General Properties		
Cavity color	Stainless steel	Stainless steel / black
Max. microwave power (W)	950 W	950 W
Capacity		
Cavity capacity (cu. ft.)	1.6 cu. ft.	1.6 cu. ft.
Turntable diameter (in.)	14 1/8"	14 1/8"
Technical Details		
Watts (W)	1,650 W	1,650 W
Circuit breaker (A)	15 A	15 A
Volts (V)	120 V	120 V
Frequency (Hz)	60 Hz	60 Hz
Power cord length (in)	43"	43"
Plug type	NEMA 5-15 – 3 prong	NEMA 5-15 – 3 prong
Dimensions & Weight		
Overall appliance dimensions (HxWxD) (in)	19 5/8" x 26 3/4" x 19 5/8"	19 5/8" x 29 3/4" x 19 5/8"
Required cutout size (HxWxD) (in)	Standard: 19 1/4" x 25 1/2" x 19 1/4" Flush: 20 1/4" x 27" x 20 3/4"	Standard: 19 1/4" x 28 1/2" x 19 1/4" Flush: 20 1/4" x 30" x 20 3/4"
Oven overall interior dimensions (HxWxD) (in.)	9 7/8" x 16 1/2" x 16 1/2"	9 7/8" x 16 1/2" x 16 1/2"
Net weight (lbs)	72 lbs	75 lbs
Accessories – Included		
Included	Glass turntable	Glass turntable

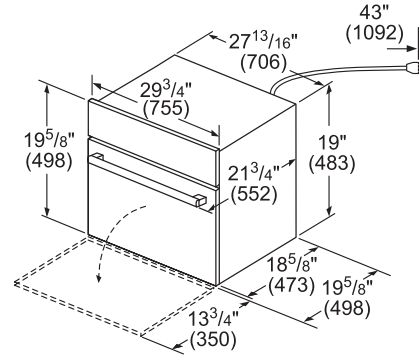
500 Series Built-in Microwaves

27" Microwave Dimensions



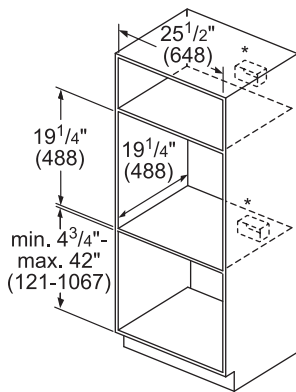
measurements in inches (mm)

30" Microwave Dimensions



measurements in inches (mm)

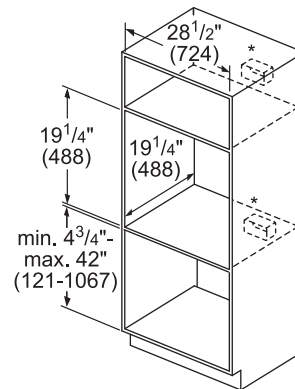
27" Microwave Standard Installation



* Receptacle may be located above or beneath the unit within reach of the power cable.

measurements in inches (mm)

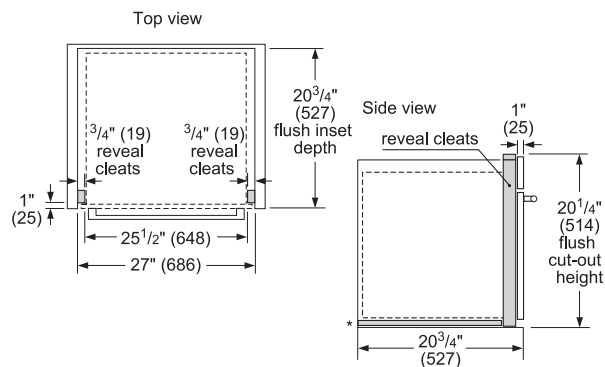
30" Microwave Standard Installation



* Receptacle may be located above or beneath the unit within reach of the power cable.

measurements in inches (mm)

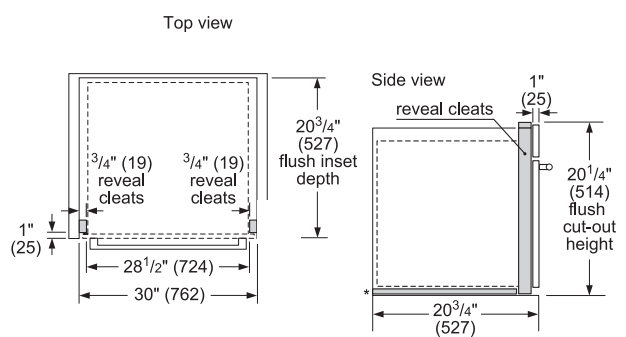
27" Microwave Flush Installation



* Flush installation requires a $\frac{5}{16}$ " (8 mm) high x 25 $\frac{1}{2}$ " (648 mm) wide x 19 $\frac{3}{4}$ " (500 mm) deep base plate underneath the unit body.

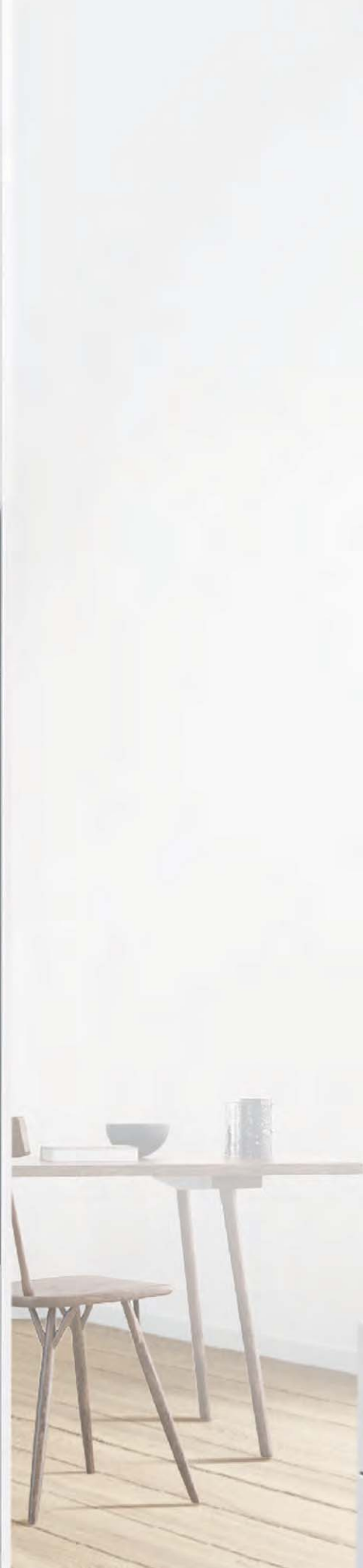
measurements in inches

30" Microwave Flush Installation



* Flush installation requires a $\frac{5}{16}$ " (8 mm) high x 28 $\frac{1}{2}$ " (724 mm) wide x 19 $\frac{3}{4}$ " (500 mm) deep base plate underneath the unit body.

measurements in inches



Built-in Coffee Machine

Bosch has brewed up smart ideas to let you craft the perfect cup quickly and easily. Our built-in coffee machine is stylishly designed with innovative technologies to prepare coffee precisely when and how you like it. Whether you wish to wake up to a macchiato, relax with a cappuccino, serve up a strong espresso or froth the perfect latte, Bosch makes it easier to brew it like a barista. And with our intuitive Home Connect™ app, you can control it all from your smartphone or tablet.



Built-in Coffee Machine



Built-in Coffee Machine with Home Connect™
BCM8450UC

- Prepare Espressos, Cappuccinos, Lattes, Macchiatos & More in Minutes
- Brew Coffee from Anywhere in Your Home with the Home Connect™ App
- Consistent Brewing Temperature for a Better Tasting Coffee
- Prepare Your Favorite Cup of Coffee with the Simple Touch of a Button
- MyFavorites Stores up to 8 of Your Favorite Coffee Preferences



Built-in Coffee Machine with Home Connect™

Stainless Steel – BCM8450UC

General Properties

Modes	Caffé Latte, Cappuccino, Coffee, Espresso, Espresso Macchiato, Latte Machiato, Ristreto, Hot Water, Warm Milk, Steam Clean, Clean, Descaling
Settings	One or two cups, adjustable cup sizes, brewing temperature, coffee strength, grind adjustment
Programming	Home Connect™, personalized beverages, remote settings, language, light and display brightness, water hardness, temperature, time, key sounds, demo, child-proof lock
Home Connect™ features	Remote start, additional beverage options, adjustable settings, remote warnings, reminders, coffee world, play list, coffee recipes, remote diagnosis, tips and trick videos, user and care manual, shop online
Sensor alerts	Water level, bean container, drip tray, coffee grounds

Design Elements

Display	Large color touch screen
Selection dial	Stainless steel ring
Display and light brightness	Adjustable
Flush installation	Yes
Container access	Front door

Capacity

Water container	5/8 gallon
Bean container	1 lb
Stainless steel milk container	17 oz
Powder coffee	1 Scoop

Technical Details

Watts (W)	1,600 W
Circuit breaker (A)	15 A
Current (A)	10 A
Volts (V)	120 V
Frequency (Hz)	60 Hz
Power cord length (in)	39"
Plug type	120 V – 3 prong
Energy source	Electric
Pump pressure (bar)	275 psi (19 bar)
Grinding system	Ceramic disks
Cleaning system	Automatic
Milk clean system	Steam

Dimensions & Weight

Overall appliance dimensions (HxWxD) (in)	23 3/8" W x 17 7/8" H x 14" D
Net weight (lbs)	43 lbs (without transformer)
Transformer weight (lbs)	27.5 lbs

Accessories – Included

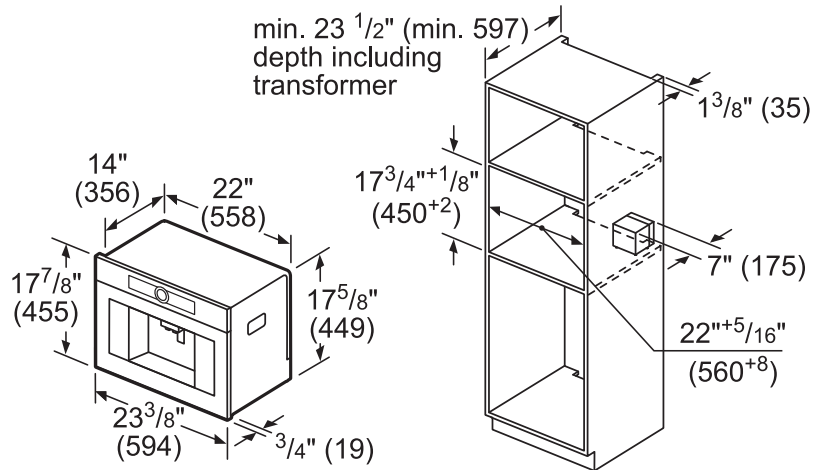
Stainless steel milk container, powder coffee scoop, 1 water hardness test strip

Optional Accessories

HEZCMT3050 30" Stainless Steel Trim Kit	11005967 Stainless Steel Milk Container	11015223 Bean Container	12008246 Water Filter	00311823 Descaling Tablets	00311820 Cleaning Tablets
---	---	----------------------------	--------------------------	-------------------------------	------------------------------

Built-in Coffee Machine

Product Dimensions and Installation



Bean and water reservoir are removed to the front. Recommended installation height 37 1/2"-57" (95-145 cm).

measurements in inches (mm)

Design Tip

The Bosch Built-in Coffee Machine and 30" Trim Kit pair perfectly with a Bosch Warming or Storage Drawer.

30" Warming Drawer – HWD5051UC
30" Storage Drawer – HSD5051UC



Ranges

Combining function and modern simplicity, Bosch ranges lighten the day's burden to serve as the kitchen's daily companion. German engineered for precision and reliability, they perform tirelessly to bring ease and joy to cooking. Our gas, dual-fuel, induction and electric ranges offer a multitude of ways to cook, with a variety of features that lend speed and efficiency. Now routine tasks like preheating, boiling water and sliding pots are suddenly made more effortless. The oven features Genuine European Convection to cook faster, while innovative cooking methods like induction make cooking easier. Now routine tasks like preheating, boiling water and sliding pots are suddenly made more effortless. With a simple slide-in design and sleek, uncomplicated aesthetic, Bosch ranges are designed to feed both body and mind.



Benchmark® Ranges

Bosch slide-in ranges are available in induction, electric, gas or dual-fuel.



Slide-in design

Our convenient, slide-in design lends an instant, built-in look to any kitchen.



QuietClose® door

Our QuietClose® doors never slam shut, instead closing smoothly and effortlessly for stress-free cooking.



Genuine European Convection

The dual-fuel, electric and induction ovens feature Genuine European convection for even baking results on all three racks.

Induction



Faster, more efficient cooking

Induction offers faster cooking and more precise temperature control, resulting in greater speed and efficiency.

Electric



Flexible cooking options

With 5 burners, including a 12" 3,000-watt triple-ring heating element, our Benchmark® electric range gives you the ultimate flexibility when cooking.

Gas / Dual-Fuel



Dual-stacked burner

Our gas and dual-fuel ranges feature a powerful 20,000 BTU center, dual-stacked burner that delivers faster boiling and low simmering for greater cooking flexibility.



Benchmark® Induction Slide-in Range



HIIP055U (Induction)

- Full-Depth Slide-in Range
- Innovative Induction Technology Offers Precise, Fast and Efficient Cooking
- FlexInduction®
- + PowerMove
- QuietClose® Door
- SpeedBoost®
- Temperature Probe
- Warming Drawer
- 4.6 cu. ft.

Induction

Stainless Steel – HIIP055U

General Properties

Cooking modes	Bake, Variable Broil (Hi & Low), Roast, Warm, Proof Dough, Convection Bake, Convection Broil, Convection Roast, Multi-Rack Genuine European Convection, Convection Conversion, Pizza, Temperature Probe, Fast Preheat, Sabbath
Cleaning type	Self clean
Knob material	N/A
Interior lights	2
Kitchen timer	Yes
Drawer type	Warming drawer

Oven Performance

Bake / broil element watts (W)	2,400 / 3,800 W
Convection element watts (W)	2,000 W

Element Performance

Total number of cooktop elements	4
Power of front left element watts (W)	2,200 W (3,600 w/boost)
Power of back left element watts (W)	2,200 W (3,600 w/boost)
Power of center element watts (W)	N/A
Power of back right element watts (W)	2,600 W (3,700 w/boost)
Power of front right element watts (W)	1,400 W (2,200 w/boost)

Element Size

Dimension of FlexInduction® zone	16" x 9"
Dimension of front left heating element	8" x 9"
Dimension of back left heating element	8" x 9"
Dimension of center heating element	N/A
Dimension of back right heating element	11"
Dimension of front right heating element	6"

Technical Details

Watts (W)	11,700 / 14,000 W
Circuit breaker (A)	40 A
Volts (V); Frequency (Hz)	208 V / 240 V; 60 Hz
Plug type / Cord length (in.)	N/A / N/A
Energy source	Electric

Dimensions & Weight

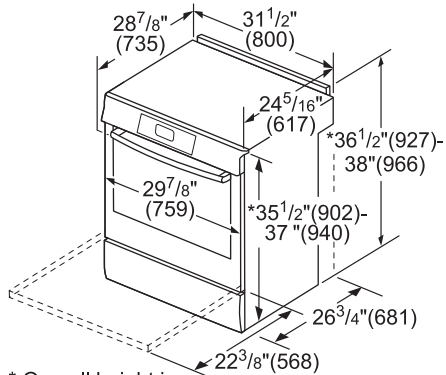
Overall appliance dimensions (HxWxD) (in.)	35 1/2" – 37" x 31 1/2" x 28 7/8"
Required cutout size (HxWxD) (in.)	35 1/2" – 37" x 30" x 25"
Adjustable range height (in.)	1 1/2"
Oven cavity size (cu. ft.)	4.6
Overall oven interior dimensions (HxWxD) (in.)	17 13/16" x 24 1/8" x 18"
Usable oven interior dimensions (HxWxD) (in.)	12 5/16" x 23 1/4" x 15 1/4"
Net weight (lbs)	248 lbs

Accessories – Included

Included	Use and care manual, installation guide, temperature probe, 2 standard racks, 1 telescopic rack
----------	---

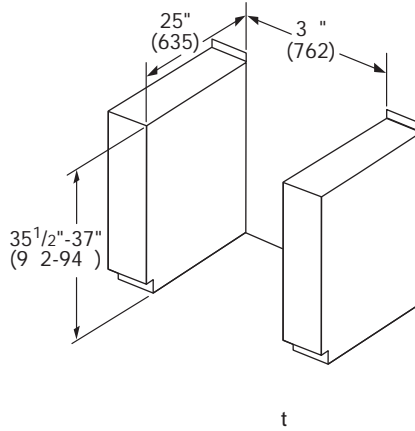
Benchmark® Induction Slide-in Range

Induction Range Dimensions

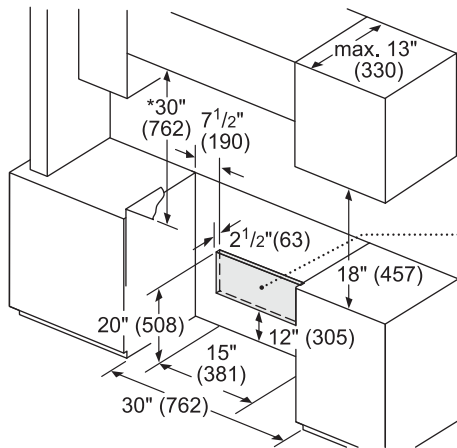


* Overall height is adjustable via leveling legs.
 measurements in inches (mm)

Induction Range Cutout Dimensions



Induction Range Installation



* Minimum clearance of 30" required to overhead combustible surface. If installing overhead vent or over-the-range microwave, refer to clearances provided with these products.

208/240v Electrical Outlet Location

Measurements in inches (mm)

Optional Accessories



HEZTR301
30" Telescopic Rack



HEZBS301
4" Low Backguard



HEZ390210
8" AutoChef® Pan for 6" Element



HEZ390220
9" AutoChef® Pan for 7" Element



HEZ390230
10" AutoChef® Pan for 8" and 9" Elements

Benchmark® Electric Slide-in Range



HEIP054U (Electric)

- Full-Depth Slide-in Range
- 12" 3,000-Watt Triple-Ring Element
- 9.5" 3,200- / 1100-Watt Versatile Element
- 4 Elements + 1 Warming Zone
- QuietClose® Door
- Telescopic Rack
- Temperature Probe
- Warming Drawer
- 4.6 cu. ft.

Electric

Stainless Steel – HEIP054U

General Properties

Cooking modes	Bake, Variable Broil (Hi & Low), Roast, Warm, Proof Dough, Convection Bake, Convection Broil, Convection Roast, Multi-Rack Genuine European Convection, Convection Conversion, Pizza, Temperature Probe, Fast Preheat, Sabbath
Cleaning type	Self clean
Knob material	Metal
Interior lights	2
Kitchen timer	Yes
Drawer type	Warming drawer

Oven Performance

Bake / broil element watts (W)	2,400 / 3,800 W
Convection element watts (W)	2,000 W

Element Performance

Total number of cooktop elements	5
Power of front left element watts (W)	1,050 / 1,950 / 3,000 W
Power of back left element watts (W)	1,200 W
Power of center element watts (W)	100 W
Power of back right element watts (W)	1,200 W
Power of front right element watts (W)	1,100 / 3,200 W

Element Size

Dimension of FlexInduction® zone	N/A
Dimension of front left heating element	6" / 9" / 12"
Dimension of back left heating element	6"
Dimension of center heating element	6"
Dimension of back right heating element	6"
Dimension of front right heating element	9.5"

Technical Details

Watts (W)	11,300 / 14,800 W
Circuit breaker (A)	40 A
Volts (V); Frequency (Hz)	208 V / 240 V; 60 Hz
Plug type / Cord length (in.)	N/A / N/A
Energy source	Electric

Dimensions & Weight

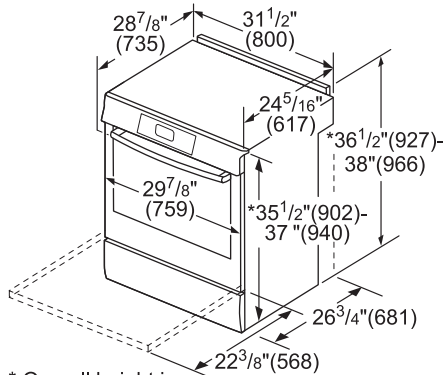
Overall appliance dimensions (HxWxD) (in.)	35 1/2" – 37" x 31 1/2" x 28 7/8"
Required cutout size (HxWxD) (in.)	35 1/2" – 37" x 30" x 25"
Adjustable range height (in.)	1 1/2"
Oven cavity size (cu. ft.)	4.6
Overall oven interior dimensions (HxWxD) (in.)	17 13/16" x 24 1/8" x 18"
Usable oven interior dimensions (HxWxD) (in.)	12 5/16" x 23 1/4" x 15 1/4"
Net weight (lbs)	248 lbs

Accessories – Included

Included	Use and care manual, installation guide, temperature probe, 2 standard racks, 1 telescopic rack
----------	---

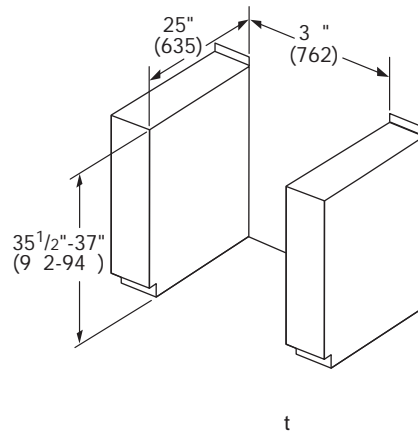
Benchmark® Electric Slide-in Range

Electric Range Dimensions

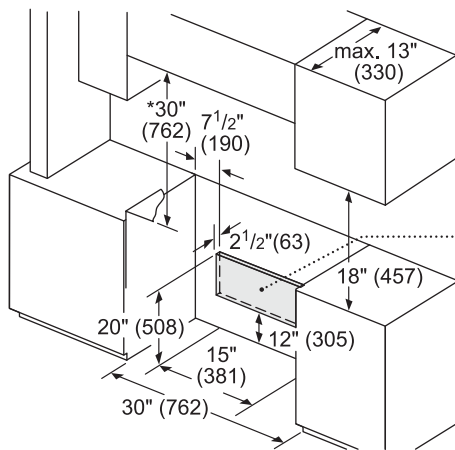


* Overall height is adjustable via leveling legs.
 measurements in inches (mm)

Electric Range Cutout Dimensions



Electric Range Installation



* Minimum clearance of 30" required to overhead combustible surface. If installing overhead vent or over-the-range microwave, refer to clearances provided with these products.

208/240v Electrical Outlet Location

Measurements in inches (mm)

Optional Accessories



HEZTR301
30" Telescopic Rack



HEZBS301
4" Low Backguard



HEZ390210
8" AutoChef® Pan for 6" Element



HEZ390220
9" AutoChef® Pan for 7" Element



HEZ390230
10" AutoChef® Pan for 8" and 9" Elements

Benchmark® Dual-Fuel Slide-in Range



HDIP054U (Dual-Fuel)

- Full-Depth Slide-in Range
- 5 Burners
- 20,000 BTU Dual-Stacked Burner
- Multi-Rack Genuine European Convection
- QuietClose® Door
- Telescopic Rack
- Temperature Probe
- Warming Drawer
- 4.6 cu. ft.

Dual-Fuel

Stainless Steel – HDIP054U

General Properties

Cooking modes	Bake, Variable Broil (Hi & Low), Roast, Warm, Proof Dough, Convection Bake, Convection Broil, Convection Roast, Multi-Rack Genuine European Convection, Convection Conversion, Pizza, Temperature Probe, Fast Preheat, Sabbath
Cleaning type	Self clean
Type of grate	Cast iron
Knob material	Metal
Interior light	2
Kitchen timer	Yes
Drawer type	Warming drawer
Sealed burners	Yes

Oven Performance

Bake / broil burner power BTU	N/A
Bake / broil element watts (W)	2,400 W / 3,800 W
Convection element watts (W)	2,000 W

Burner Performance

Total number of cooktop burners	5
Total cooktop (NG / LP) BTU	55,000 / 48,500
Power of front left burner (NG / LP) BTU	10,000 / 8,000
Power of back left burner (NG / LP) BTU	5,000 / 5,000
Power of center burner (NG / LP) BTU	20,000 / 17,000
Power of back right burner (NG / LP) BTU	5,000 / 5,000
Power of front right burner (NG / LP) BTU	15,000 / 13,500

Technical Details

Watts (W)	4,800 / 6,400 W
Circuit breaker (A)	30 A
Volts (V)	208 V / 240 V
Frequency (Hz)	60 Hz
Plug type	N/A
Cord length (in.)	N/A
Energy source	Mixed electric / gas
Gas type	Natural gas 15 mbar (USA)
Alternative gas type	LP 27, 5 mbar (USA)

Dimensions & Weight

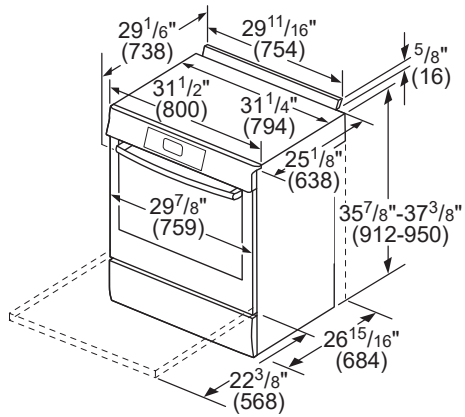
Overall appliance dimensions (HxWxD) (in.)	36 1/2" – 37" x 31 1/2" x 29 1/8"
Required cutout size (HxWxD) (in.)	35 1/2" – 37" x 30" x 25 1/8"
Adjustable range height (in.)	1 1/2"
Oven cavity size (cu. ft.)	4.6
Overall oven interior dimensions (HxWxD) (in.)	17 13/16" x 24 1/8" x 18"
Usable oven interior dimensions (HxWxD) (in.)	12 5/16" x 23 1/4" x 15 1/4"
Net weight (lbs)	243 lbs

Accessories – Included

Included	Use and care manual, installation guide, temperature probe, LP conversion kit, 2 standard racks, 1 telescopic rack
----------	--

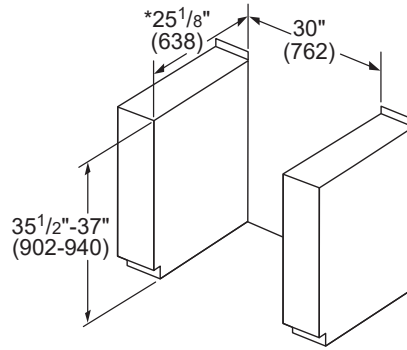
Benchmark® Dual-Fuel Slide-in Range

Dual-Fuel Range Dimensions



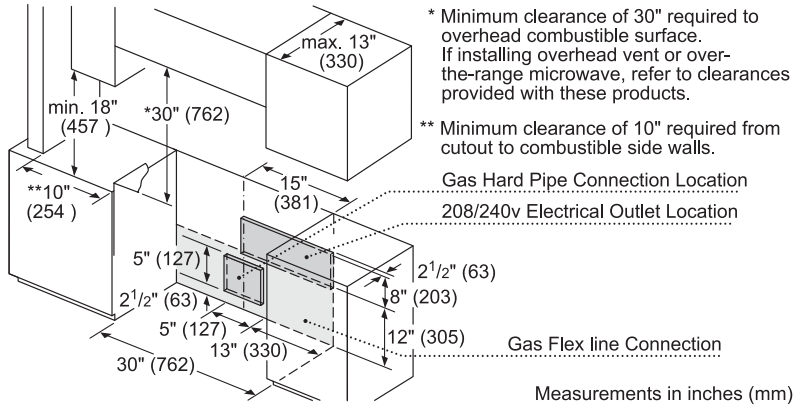
measurements in inches (mm)

Dual-Fuel Range Cutout Dimensions



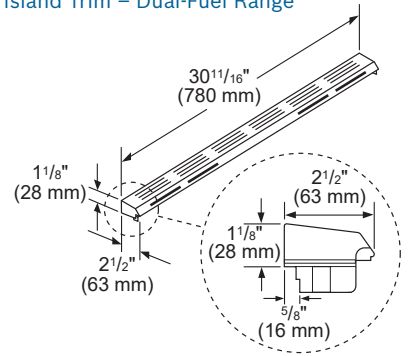
measurements in inches (mm)

Dual-Fuel Range Installation



Measurements in inches (mm)

Island Trim – Dual-Fuel Range



Measurements in inches

Optional Accessories



HEZTR301
30" Telescopic Rack



HDZBS301
4" Low Backguard, Dual-Fuel



HEZGR301
Griddle



HEZ298102
Wok Ring



HDZIT301
Island Trim for Island Applications, Dual-Fuel

Benchmark® Gas Slide-in Range



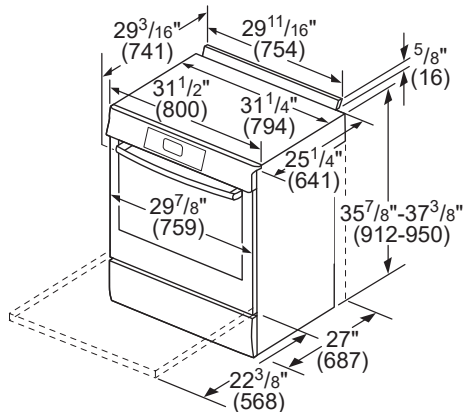
HGIP054UC (Gas)

- Full-Depth Slide-in Range
- 5 Burners
- 20,000 BTU Dual-Stacked Burner
- QuietClose® Door
- Telescopic Rack
- Temperature Probe
- Warming Drawer
- 4.8 cu. ft.

Gas	
Stainless Steel – HGIP054UC	
General Properties	
Cooking modes	Bake, Variable Broil (Hi & Low), Roast, Warm, Proof Dough, Convection Bake, Convection Roast, Convection Conversion, Pizza, Temperature Probe, Sabbath
Cleaning type	Self clean
Type of grate	Cast iron
Knob material	Metal
Interior light	2
Kitchen timer	Yes
Drawer type	Warming drawer
Sealed burners	Yes
Oven Performance	
Bake / broil burner power BTU	18,000 / 12,500 BTU
Bake / broil element watts (W)	N/A
Convection element watts (W)	N/A
Burner Performance	
Total number of cooktop burners	5
Total cooktop (NG / LP) BTU	55,000 / 48,500
Power of front left burner (NG / LP) BTU	10,000 / 8,000
Power of back left burner (NG / LP) BTU	5,000 / 5,000
Power of center burner (NG / LP) BTU	20,000 / 17,000
Power of back right burner (NG / LP) BTU	5,000 / 5,000
Power of front right burner (NG / LP) BTU	15,000 / 13,500
Technical Details	
Watts (W)	N/A
Circuit breaker (A)	15 A
Volts (V)	120 V
Frequency (Hz)	60 Hz
Plug type	US 3-prong
Cord length (in.)	78"
Energy source	Gas
Gas type	Natural gas 15 mbar (USA)
Alternative gas type	LP 27, 5 mbar (USA)
Dimensions & Weight	
Overall appliance dimensions (HxWxD) (in.)	36 1/2" – 37" x 31 1/2" x 29 3/16"
Required cutout size (HxWxD) (in.)	35 1/2" – 37" x 30" x 25 1/4"
Adjustable range height (in.)	1 1/2"
Oven cavity size (cu. ft.)	4.8
Overall oven interior dimensions (HxWxD) (in.)	17 13/16" x 24 1/8" x 18"
Usable oven interior dimensions (HxWxD) (in.)	11 1/2" x 23 1/4" x 15 1/4"
Net weight (lbs)	243 lbs
Accessories – Included	
Included	Use and care manual, installation guide, temperature probe, LP conversion kit, 2 standard racks, 1 telescopic rack

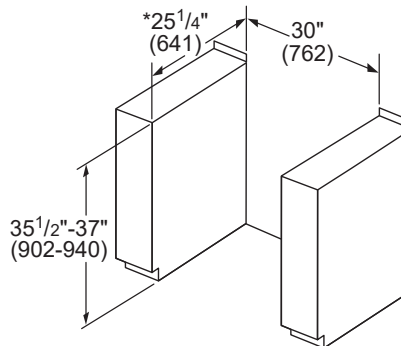
Benchmark® Gas Slide-in Range

Gas Range Dimensions



measurements in inches (mm)

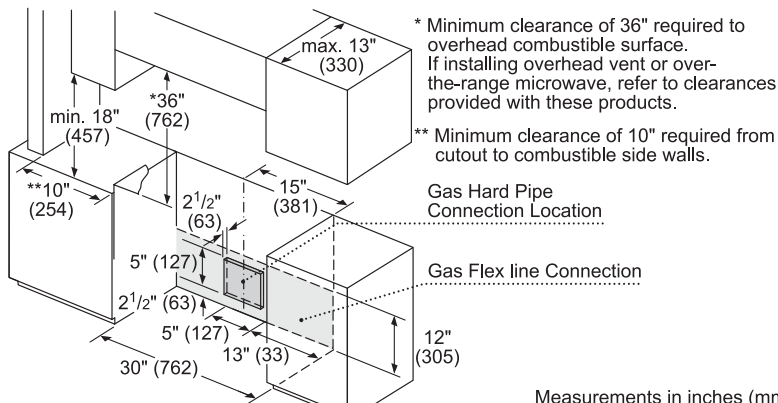
Gas Range Cutout Dimensions



*For island installation with island trim (HGZIT301), use a cutout depth of 25 3/8 inches (645)

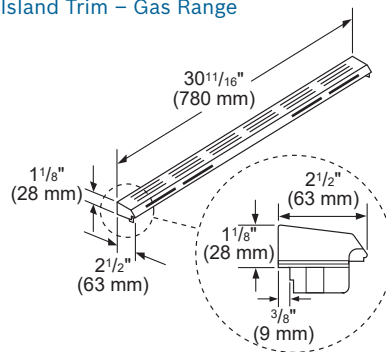
measurements in inches (mm)

Gas Range Installation



Measurements in inches (mm)

Island Trim – Gas Range



Measurements in inches

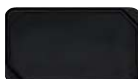
Optional Accessories



HEZTR301
30" Telescopic Rack



HGZBS301
4" Low Backguard, Gas



HEZGR301
Griddle



HEZ298102
Wok Ring



HGZIT301
Island Trim for Island Applications, Gas

800 Series Induction & Electric Slide-in Ranges



HII8055U (Induction)

- Full-Depth Slide-in Range
- Innovative Induction Technology Offers Precise, Fast and Efficient Cooking
- AutoChef®
- QuietClose® Door
- SpeedBoost®
- Temperature Probe
- Warming Drawer
- 4.6 cu. ft.



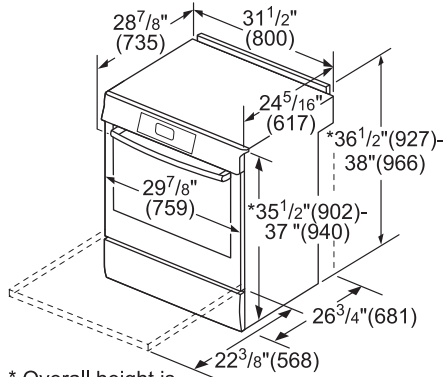
HEI8054U

- Full-Depth Slide-in Range
- 6" / 9" 3,000-Watt Dual-Ring Element
- 9.5" 3,200- / 1100-Watt Versatile Element
- 4 Elements + 1 Warming Zone
- Warming Drawer
- 4.6 cu. ft.

	Induction	Electric
	Stainless Steel – HII8055U	Stainless Steel – HEI8054U
General Properties		
Cooking modes	Bake, Variable Broil (Hi & Low), Roast, Warm, Proof Dough, Convection Bake, Convection Broil, Convection Roast, Multi-Rack Genuine European Convection, Convection Conversion, Pizza, Temperature Probe, Fast Preheat, Sabbath	Bake, Variable Broil (Hi & Low), Roast, Warm, Proof Dough, Convection Bake, Convection Broil, Convection Roast, Multi-Rack Genuine European Convection, Convection Conversion, Pizza, Fast Preheat, Sabbath
Cleaning type	Self clean	Self clean
Knob material	N/A	Metal
Interior light	1	1
Kitchen timer	Yes	Yes
Drawer type	Warming drawer	Warming drawer
Oven Performance		
Bake / broil element watts (W)	2,400 / 3,800 W	2,400 / 3,800 W
Convection element watts (W)	2,000 W	2,000 W
Element Performance		
Total number of cooktop elements	4	5
Power of front left element watts (W)	1,400 W (2,200 w/boost)	1,400 / 3,000 W
Power of back left element watts (W)	2,200 W (3,700 w/boost)	1,200 W
Power of center element watts (W)	N/A	100 W
Power of back right element watts (W)	2,600 W (3,700 w/boost)	1,200 W
Power of front right element watts (W)	1,400 W (2,200 w/boost)	1,100 / 3,200 W
Element Size		
Dimension of front left heating element	6"	6" / 9"
Dimension of back left heating element	9"	6"
Dimension of center heating element	N/A	6"
Dimension of back right heating element	11"	6"
Dimension of front right heating element	6"	9.5"
Technical Details		
Watts (W)	11,700 / 14,000 W	11,300 / 14,800 W
Circuit breaker (A)	40 A	40 A
Volts (V); Frequency (Hz)	208 V / 240 V; 60 Hz	208 V / 240 V; 60 Hz
Plug type	N/A	N/A
Cord length (in.)	N/A	N/A
Energy source	Electric	Electric
Dimensions & Weight		
Overall appliance dimensions (HxWxD) (in.)	35 1/2" – 37" x 31 1/2" x 28 7/8"	35 1/2" – 37" x 31 1/2" x 28 7/8"
Required cutout size (HxWxD) (in.)	35 1/2" – 37" x 30" x 25"	35 1/2" – 37" x 30" x 25"
Adjustable range height (in.)	1 1/2"	1 1/2"
Oven cavity size (cu. ft.)	4.6	4.6
Overall oven interior dimensions (HxWxD) (in.)	17 13/16" x 24 1/8" x 18"	17 13/16" x 24 1/8" x 18"
Usable oven interior dimensions (HxWxD) (in.)	12 5/16" x 23 1/4" x 15 1/4"	12 5/16" x 23 1/4" x 15 1/4"
Net weight (lbs)	248 lbs	248 lbs
Accessories – Included		
Included	Use and care manual, installation guide, temperature probe, 3 standard racks	Use and care manual, installation guide, 3 standard racks

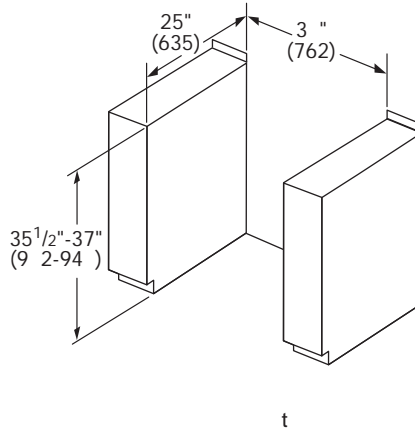
800 Series Induction & Electric Slide-in Ranges

Induction & Electric Range Dimensions

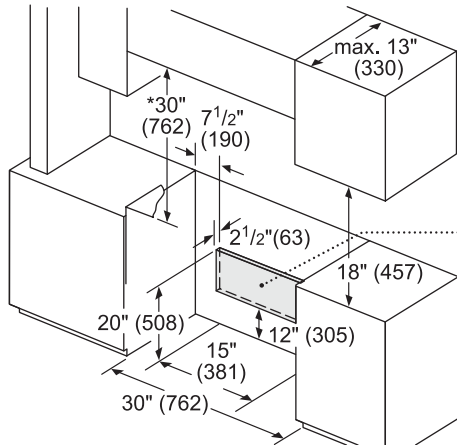


* Overall height is adjustable via leveling legs.
 measurements in inches (mm)

Induction & Electric Range Cutout Dimensions



Induction & Electric Range Installation



* Minimum clearance of 30" required to overhead combustible surface. If installing overhead vent or over-the-range microwave, refer to clearances provided with these products.

208/240v Electrical Outlet Location

Measurements in inches (mm)

Optional Accessories



HEZTR301
30" Telescopic Rack



HEZBS301
4" Low Backguard,
Electric And Induction



HEZ390210
8" AutoChef® Pan
for 6" Element



HEZ390220
9" AutoChef® Pan
for 7" Element



HEZ390230
10" AutoChef® Pan
for 8" and 9" Elements

800 Series Dual-Fuel Slide-in Range



HDI8054U (Dual-Fuel)

- Full-Depth Slide-in Range
- 18,000 BTU Burner
- 5 Burners
- Multi-Rack Genuine European Convection
- Temperature Probe
- Warming Drawer
- 4.6 cu. ft.

Dual-Fuel

Stainless Steel – HDI8054U

General Properties

Cooking modes	Bake, Variable Broil (Hi & Low), Roast, Warm, Proof Dough, Convection Bake, Convection Broil, Convection Roast, Multi-Rack Genuine European Convection, Convection Conversion, Pizza, Temperature Probe, Fast Preheat, Sabbath
Cleaning type	Self clean
Type of grate	Cast iron
Knob material	Metal
Interior light	1
Kitchen timer	Yes
Drawer type	Warming drawer
Sealed burners	Yes

Oven Performance

Bake / broil burner power BTU	N/A
Bake / broil element watts (W)	2,400 / 3,800 W
Convection element watts (W)	2,000 W

Burner Performance

Total number of cooktop burners	5
Total cooktop (NG / LP) BTU	53,000 / 44,000
Power of front left burner (NG / LP) BTU	10,000 / 8,000
Power of back left burner (NG / LP) BTU	5,000 / 5,000
Power of center burner (NG / LP) BTU	18,000 / 12,500
Power of back right burner (NG / LP) BTU	5,000 / 5,000
Power of front right burner (NG / LP) BTU	15,000 / 13,500

Technical Details

Watts (W)	4,800 / 6,400 W
Circuit breaker (A)	30 A
Volts (V)	208 V / 240 V
Frequency (Hz)	60 Hz
Plug type	N/A
Cord length (in.)	N/A
Energy source	Mixed electric / gas
Gas type	Natural gas 15 mbar (USA)
Alternative gas type	LP 27, 5 mbar (USA)

Dimensions & Weight

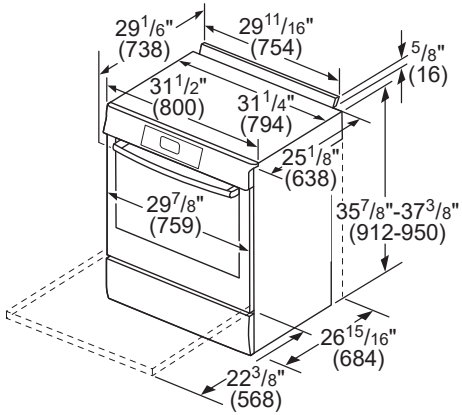
Overall appliance dimensions (HxWxD) (in.)	36 1/2" – 37" x 31 1/2" x 29 1/8"
Required cutout size (HxWxD) (in.)	35 1/2" – 37" x 30" x 25 1/8"
Adjustable range height (in.)	1 1/2"
Oven cavity size (cu. ft.)	4.6
Overall oven interior dimensions (HxWxD) (in.)	17 13/16" x 24 1/8" x 18"
Usable oven interior dimensions (HxWxD) (in.)	12 5/16" x 23 1/4" x 15 1/4"
Net weight (lbs)	243 lbs

Accessories – Included

Included	Use and care manual, installation guide, temperature probe, LP conversion kit, 3 standard racks
----------	---

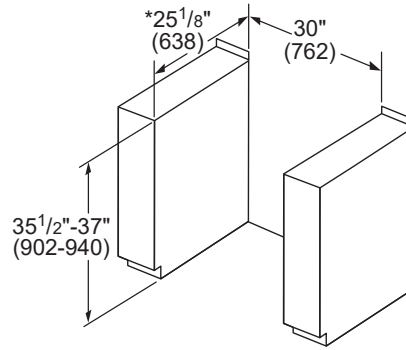
800 Series Dual-Fuel Slide-in Range

Dual-Fuel Range Dimensions



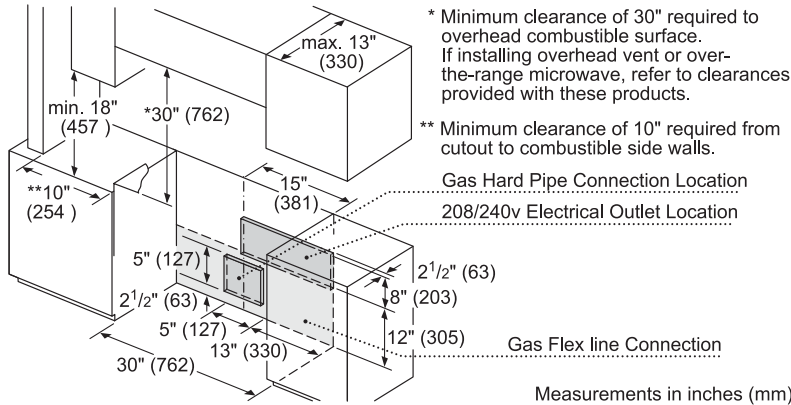
measurements in inches (mm)

Dual-Fuel Cutout Dimensions



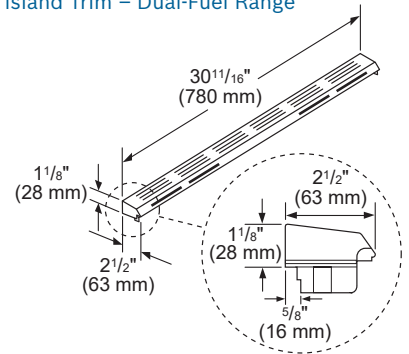
measurements in inches (mm)

Dual-Fuel Range Installation



Measurements in inches (mm)

Island Trim – Dual-Fuel Range



Measurements in inches

Optional Accessories



HEZTR301
30" Telescopic Rack



HDZBS301
4" Low Backguard, Dual-Fuel



HEZGR301
Griddle



HEZ298102
Wok Ring



HDZIT301
Island Trim for Island Applications, Dual-Fuel

800 Series Gas Slide-in Range



HG18054UC (Gas)

- Full-Depth Slide-in Range
- 18,000 BTU Burner
- 5 Burners
- Warming Drawer
- 4.8 cu. ft.

Gas

Stainless Steel – HG18054UC

General Properties

Cooking modes	Bake, Variable Broil (Hi & Low), Roast, Warm, Proof Dough, Convection Bake, Convection Roast, Convection Conversion, Pizza, Sabbath
Cleaning type	Self clean
Type of grate	Cast iron
Knob material	Metal
Interior light	1
Kitchen timer	Yes
Drawer type	Warming drawer
Sealed burners	Yes

Oven Performance

Bake / broil burner power BTU	18,000 / 12,500 BTU
Bake / broil element watts (W)	N/A
Convection element watts (W)	N/A

Burner Performance

Total number of cooktop burners	5
Total cooktop (NG / LP) BTU	53,000 / 46,500
Power of front left burner (NG / LP) BTU	10,000 / 8,000
Power of back left burner (NG / LP) BTU	5,000 / 5,000
Power of center burner (NG / LP) BTU	18,000 / 15,000
Power of back right burner (NG / LP) BTU	5,000 / 5,000
Power of front right burner (NG / LP) BTU	15,000 / 13,500

Technical Details

Watts (W)	N/A
Circuit breaker (A)	15 A
Volts (V)	120 V
Frequency (Hz)	60 Hz
Plug type	US 3-prong
Cord length (in.)	78"
Energy source	Gas
Gas type	Natural gas 15 mbar (USA)
Alternative gas type	LP 27, 5 mbar (USA)

Dimensions & Weight

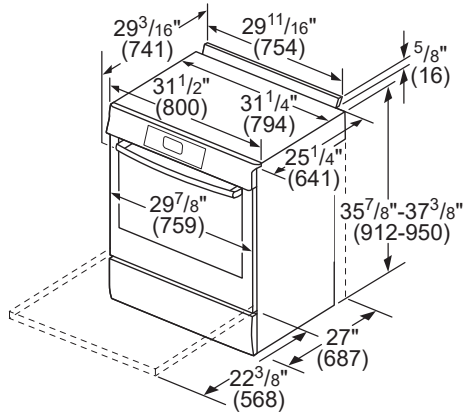
Overall appliance dimensions (HxWxD) (in.)	36 1/2" – 37" x 31 1/2" x 29 3/16"
Required cutout size (HxWxD) (in.)	35 1/2" – 37" x 30" x 25 1/4"
Adjustable range height (in.)	1 1/2"
Oven cavity size (cu. ft.)	4.8
Overall oven interior dimensions (HxWxD) (in.)	17 13/16" x 24 1/8" x 18"
Usable oven interior dimensions (HxWxD) (in.)	11 1/2" x 23 1/4" x 15 1/4"
Net weight (lbs)	243 lbs

Accessories – Included

Included	Use and care manual, installation guide, LP conversion kit, 3 standard racks
----------	--

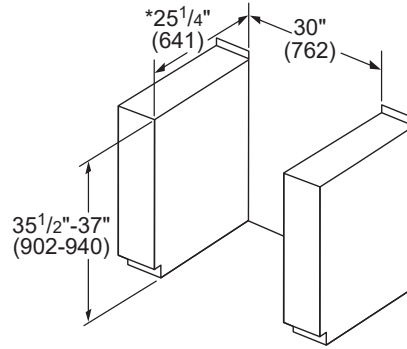
800 Series Gas Slide-in Range

Gas Range Dimensions



measurements in inches (mm)

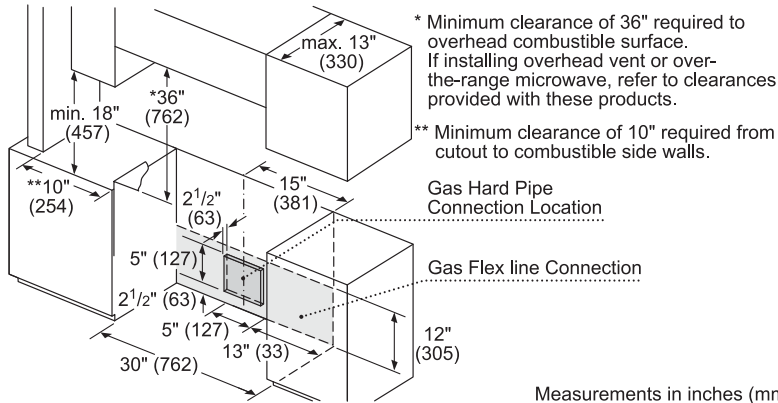
Gas Cutout Dimensions



*For island installation with island trim (HGZIT301), use a cutout depth of 25 3/8" (645)

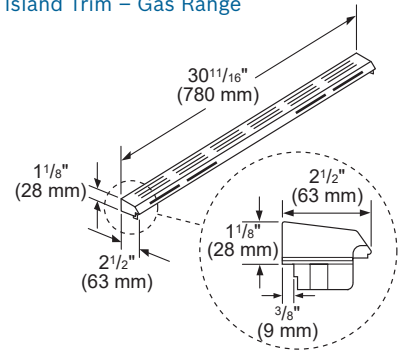
measurements in inches (mm)

Gas Range Installation



Measurements in inches (mm)

Island Trim – Gas Range



Measurements in inches

Optional Accessories



HEZTR301
30" Telescopic Rack



HGZBS301
4" Low Backguard, Gas



HEZGR301
Griddle



HEZ298102
Wok Ring



HGZIT301
Island Trim for Island Applications, Gas

Ventilation

Bosch's inventive ventilation systems keep mealtime fresh by quietly purifying the air while you cook. They're beautifully designed to seamlessly integrate into any kitchen with under-the-cabinet, chimney, island, pull-out and downdraft styles. These trusted, easy-to-clean ventilation systems come with automated features to make maintenance and operation a breeze. You'll breathe easier knowing that smoke, steam, grease and odors are quietly and effectively taken care of.





Benchmark® Ventilation



Modern design

Sculpted in steel and glass, our Benchmark® wall mounted chimney hoods add style and sophistication to the kitchen. No matter your needs, Bosch has an elegant solution.



Quiet

The Benchmark® glass canopy chimney hood is only 2.5 sones at the lowest setting, so you can enjoy peaceful cooking with no distracting noise.



Powerful ventilation

With 600 CFM of power, our Benchmark® glass canopy chimney wall hood meets the ventilation requirements of any Bosch cooktop or range, and can convert to recirculation for installations that are hard to duct or for areas with make up air restrictions. These highly effective vents quickly clear the air of grease, steam, smoke, and odor.
















Ventilation Selection Guide

✓ = Design Match

✓ = Viable Option

		Cooktops			
					
		24-Inch Electric	30-Inch Electric & Induction	36-Inch Electric & Induction	24-Inch Gas
Chimney Wall Hoods					
	24-Inch HCP34E51UC	✓			✓
	30-Inch HCP30E51UC	✓	✓		✓
	30-Inch HCP30651UC		✓		
	30-Inch HCB50651UC		✓		
	36-Inch HCG56651UC		✓	✓	
	36-Inch HCP36E51UC		✓	✓	
	36-Inch HCP36651UC		✓	✓	
	36-Inch HCB56651UC		✓	✓	
Under-Cabinet Range Hoods					
	30-Inch DUH30152UC	✓	✓		✓
	30-Inch DUH30252UC		✓		
	30-Inch DPH30652UC		✓		
	36-Inch DUH36152UC		✓	✓	
	36-Inch DUH36252UC		✓	✓	
	36-Inch DPH36652UC		✓	✓	
Island Hood					
	42-Inch HIB82651UC		✓	✓	
Custom Insert Hoods					
	21-Inch HUI31451UC	✓			✓
	29-Inch DHL755BUC	✓	✓		✓
Downdrafts					
	30-Inch DHD3014UC		✓		
	36-Inch DHD3614UC			✓	
Pull-Out Hoods					
	24-Inch HUI54451UC	✓			✓
	30-Inch HUI50351UC	✓	✓		✓
	36-Inch HUI56551UC		✓	✓	

Ventilation Selection Guide

Cooktops		Slide-In Ranges			
					
30-Inch Gas	36-Inch Gas	Induction	Electric	Dual-Fuel	Gas
✓		✓	✓	✓	✓
✓		✓	✓	✓	✓
✓		✓	✓	✓	✓
✓	✓	✓	✓	✓	✓
✓	✓	✓	✓	✓	✓
✓	✓	✓	✓	✓	✓
✓	✓	✓	✓	✓	✓
✓		✓	✓	✓	✓
✓		✓	✓	✓	✓
✓	✓	✓	✓	✓	✓
✓	✓	✓	✓	✓	✓
✓		✓	✓	✓	✓
✓		✓	✓	✓	✓
✓		✓	✓	✓	✓
✓	✓	✓	✓	✓	✓
✓		✓	✓	✓	✓
✓	✓	✓	✓	✓	✓
✓		✓	✓	✓	✓
✓		✓	✓	✓	✓
✓		✓	✓	✓	✓
✓	✓	✓	✓	✓	✓
✓		✓	✓	✓	✓
✓		✓	✓	✓	✓
✓		✓	✓	✓	✓
✓	✓	✓	✓	✓	✓
✓		✓	✓	✓	✓

Benchmark® Chimney Wall Hood



36" Benchmark®
Glass Canopy Chimney Hood
HCG56651UC

- 600 CFM
- 2 Halogen Lights
- Stainless Steel Filters with Metal Latch
- 9 ft.–11.5 ft. Duct Cover Extension Accessory

36" Glass Canopy Chimney Hood

Stainless Steel – HCG56651UC

General Properties

Operating mode	Convertible: ducted / recirculating
Maximum CFM	600 CFM
Sones	10.13 HS / 2.46 WS
Number of speed settings	4-stage
Motor location	Integrated motor in hood chimney
Number of lights	2
Bulb type	Halogen
Total power of the lamps (W)	80 W
Damper included	Yes
Grease filter material	Washable stainless steel
Grease filter type	Multilayer cassette

Technical Details

Volts (V)	120 V
Frequency (Hz)	60 Hz
Plug type	No plug

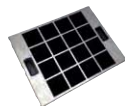
Dimensions & Weight

Overall appliance dimensions (width of canopy included) (HxWxD) (in.)	27 7/16" x 42 3/8" / 27 7/16" x 46 5/16" / 35 7/8" x 19 11/16"
Height of the chimney (in.)	25 7/8" x 40 13/16" / 25 7/8" x 44 3/4"
Required distance above cooktop / range cooking surface	24" Electric / 30" Gas
Diameter of air duct (in.) top	8"
Net weight (lbs)	54 lbs

Optional Accessories



HCGEXT5UC
Chimney Extension for
9–11.5 ft. Ceilings for
Use with HCG56651UC



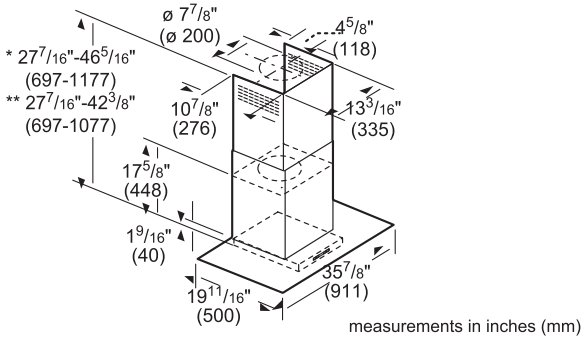
HCIFILTUC
Filter Kit



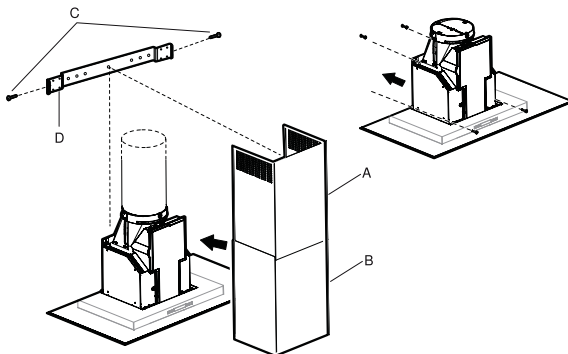
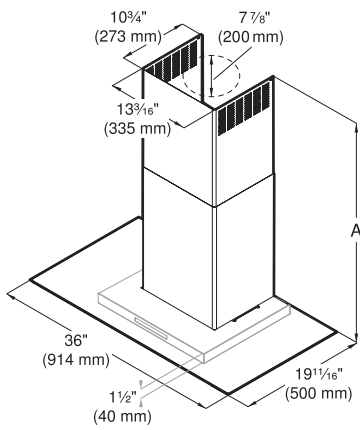
HCREC5UC
Recirculation Kit
for HCG56651UC

Benchmark® Chimney Wall Hood

36" Glass Canopy Chimney Hood



- * Recirculating installation (697-1177)
- ** Ducted installation (697-1077)



A	Upper flue duct
B	Lower flue duct
C	Screws
D	Angle bracket

300 Series 24" Pyramid Canopy Chimney Hood



24" 300 Series
Pyramid Canopy Chimney Hood
HCP34E51UC

- 300 CFM
- ENERGY STAR® Qualified
- 1 Fluorescent Light
- Aluminum Mesh Filters
- 9 ft.–11.5 ft. Duct Cover Extension Accessory



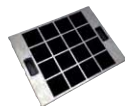
+ Indicates a step-up feature

24" Pyramid Canopy 300 Series	
Stainless Steel – HCP34E51UC	
General Properties	
Operating mode	Convertible: ducted / recirculating
Maximum CFM	300 CFM
Sones	5.36 HS / 1.56 WS
Number of speed settings	3-stage
Motor location	Integrated motor in hood chimney
Number of lights	1
Bulb type	Fluorescent
Total power of the lamps (W)	13 W
Damper included	Yes
Grease filter material	Aluminum
Grease filter type	Multilayer cassette
Technical Details	
Volts (V)	120 V
Frequency (Hz)	60 Hz
Plug type	No plug
Dimensions & Weight	
Overall appliance dimensions (width of canopy included) (HxWxD) (in.)	24 9/16" – 38 7/8" / 28 1/4" – 42 9/16" x 24" x 19 11/16"
Height of the chimney (in.)	19 9/16" – 33 7/8" / 23 1/4" – 42 9/16"
Required distance above cooktop / range cooking surface	24" Electric / 30" Gas
Diameter of air duct (in.) top	8"
Net weight (lbs)	49 lbs

Optional Accessories



HCPEXT5UC
Chimney Extension
for 9–11.5 ft. Ceilings



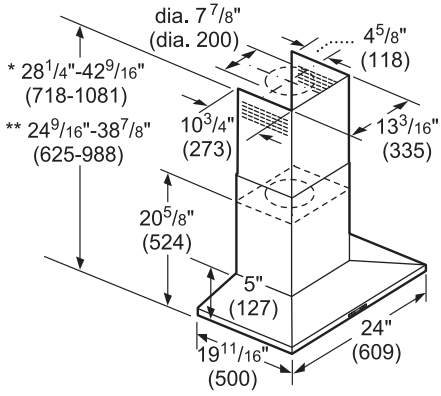
HCIFILTUC
Filter Kit



HCREC5UC
Recirculation Kit

300 Series 24" Pyramid Canopy Chimney Hood

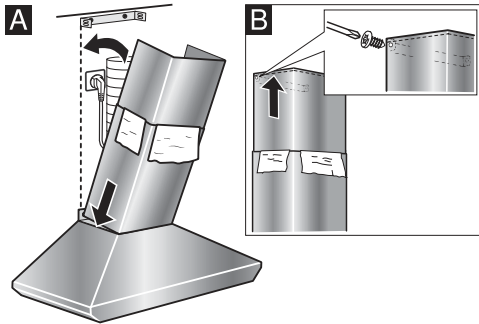
24" Pyramid Canopy Chimney Hood



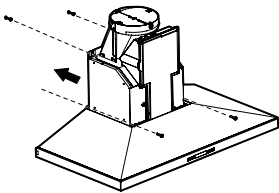
- * Recirculating installation
- ** Installation with exhaust air duct

Installation height above cooking surface:
 24"-34" (610 mm-864 mm) for electric
 27"-34" (686 mm-864 mm) for gas

measurements in inches (mm)



- | | |
|---|-----------------|
| A | Lower flue duct |
| B | Upper flue duct |



300 / 500 Series 30" Chimney Wall Hoods



30" 300 Series
Pyramid Canopy Chimney Hood
HCP30E51UC

- 300 CFM
- ENERGY STAR® Qualified
- 1 Fluorescent Light
- Aluminum Mesh Filters
- 9 ft.–11.5 ft. Duct Cover Extension Accessory



30" 300 Series
Pyramid Canopy Chimney Hood
HCP30651UC

- + 600 CFM
- + 2 Halogen Lights
- Aluminum Mesh Filters
- 9 ft.–11.5 ft. Duct Cover Extension Accessory



30" 500 Series
Box Canopy Chimney Hood
HCB50651UC

- + 600 CFM
- + 2 Halogen Lights
- + Stainless Steel Filters with Metal Latch
- 9 ft.–11.5 ft. Duct Cover Extension Accessory

+ Indicates a step-up feature

	30" Pyramid Canopy 300 Series	30" Pyramid Canopy 300 Series	30" Box Canopy 500 Series
	Stainless Steel – HCP30E51UC	Stainless Steel – HCP30651UC	Stainless Steel – HCB50651UC
General Properties			
Operating mode	Convertible: ducted / recirculating	Convertible: ducted / recirculating	Convertible: ducted / recirculating
Maximum CFM	300 CFM	600 CFM	600 CFM
Sones	5.36 HS / 1.56 WS	9.9 HS / 4.56 WS	9.9 HS / 4.56 WS
Number of speed settings	3-stage	4-stage	4-stage
Motor location	Integrated motor in hood chimney	Integrated motor in hood chimney	Integrated motor in hood chimney
Number of lights	1	2	2
Bulb type	Fluorescent	Halogen	Halogen
Total power of the lamps (W)	13 W	80 W	80 W
Damper included	Yes	Yes	Yes
Grease filter material	Aluminum	Aluminum	Washable stainless steel
Grease filter type	Multilayer cassette	Multilayer cassette	Multilayer cassette
Technical Details			
Volts (V)	120 V	120 V	120 V
Frequency (Hz)	60 Hz	60 Hz	60 Hz
Plug type	No plug	No plug	No plug
Dimensions & Weight			
Overall appliance dimensions (width of canopy included) (HxWxD) (in.)	24 9/16" – 38 7/8" / 28 1/4" – 42 9/16" x 30" x 19 11/16"	24 9/16" – 38 7/8" / 28 1/4" – 42 9/16" x 30" x 19 11/16"	27 1/16" x 42 1/8" / 27 1/16" x 45 13/16" / 30" x 19 11/16"
Height of the chimney (in.)	19 9/16" – 33 7/8" / 23 1/4" – 42 9/16"	19 9/16" – 33 7/8" / 23 1/4" – 42 9/16"	25 1/2" x 40 9/16" / 25 1/2" x 44 1/4"
Required distance above cooktop / range cooking surface	24" Electric / 30" Gas	24" Electric / 30" Gas	24" Electric / 30" Gas
Diameter of air duct (in.) top	8"	8"	8"
Net weight (lbs)	49 lbs	49 lbs	54 lbs

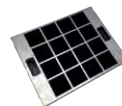
Optional Accessories



HCPEXT5UC
Chimney Extension For 9–11.5 ft. Ceilings for Use with HCP30E51UC and HCP30651UC



HCBEXT5UC
Chimney Extension for 9–11.5 ft. Ceilings for Use with HCB50651UC



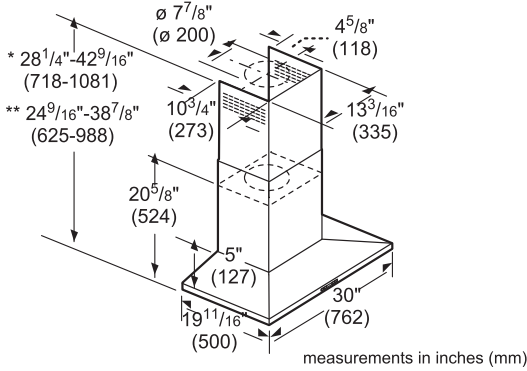
HCIFILTUC
Filter Kit



HCREC5UC
Recirculation Kit

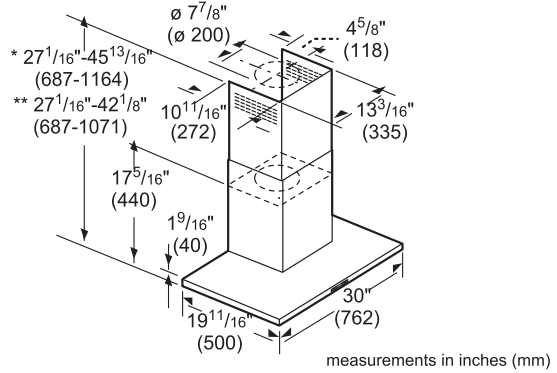
300 / 500 Series 30" Chimney Wall Hoods

30" Pyramid Canopy Chimney Hood

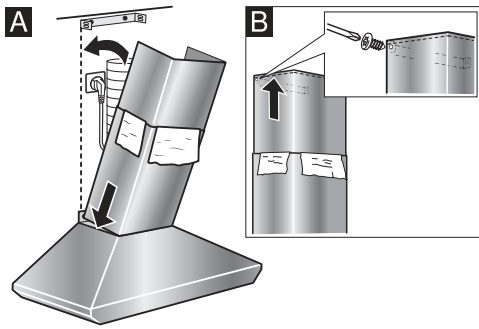


* Recirculating installation
 ** Ducted installation

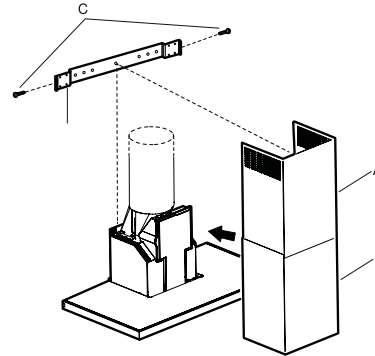
30" Box Canopy Chimney Hood



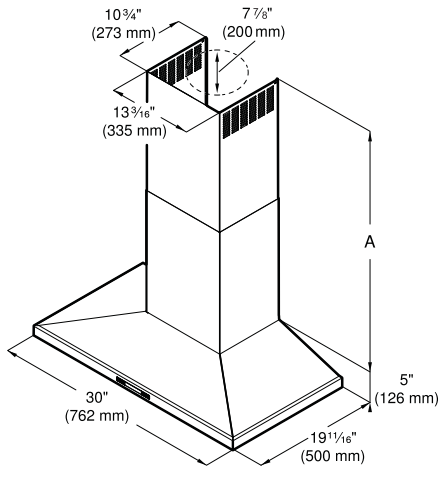
* Recirculating installation
 ** Ducted installation



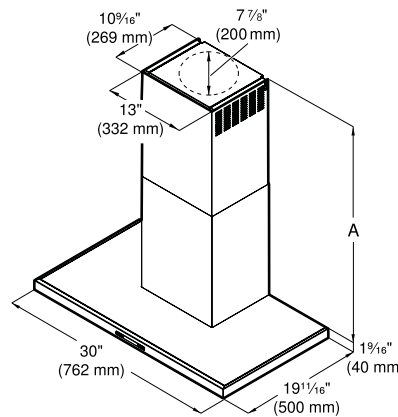
- A Lower flue duct
- B Upper flue duct



- A Upper flue duct
- B Lower flue duct
- C Screws
- D Angle bracket



to top to 6 6
 to o 6 6
 t



A
 ute operation
 in / a $27\frac{1}{16}"$ (687) / $42\frac{1}{8}"$ (107)
 e ir lation o e
 in / a $27\frac{1}{16}"$ (687) / $45\frac{13}{16}"$ (1164)
 easure ents in in hes ()

300 / 500 Series 36" Chimney Wall Hoods



36" 300 Series
Pyramid Canopy Chimney Hood
HCP36E51UC

- 300 CFM
- ENERGY STAR® Qualified
- 1 Fluorescent Light
- Aluminum Mesh Filters
- 9 ft.–11.5 ft. Duct Cover Extension Accessory



36" 300 Series
Pyramid Canopy Chimney Hood
HCP36651UC

- + 600 CFM
- + 2 Halogen Lights
- Aluminum Mesh Filters
- 9 ft.–11.5 ft. Duct Cover Extension Accessory



36" 500 Series
Box Canopy Chimney Hood
HCB56651UC

- + 600 CFM
- + 2 Halogen Lights
- + Stainless Steel Filters with Metal Latch
- 9 ft.–11.5 ft. Duct Cover Extension Accessory

+ Indicates a step-up feature

	36" Pyramid Canopy 300 Series	36" Pyramid Canopy 300 Series	36" Box Canopy 500 Series
	Stainless Steel – HCP36E51UC	Stainless Steel – HCP36651UC	Stainless Steel – HCB56651UC
General Properties			
Operating mode	Convertible: ducted / recirculating	Convertible: ducted / recirculating	Convertible: ducted / recirculating
Maximum CFM	300 CFM	600 CFM	600 CFM
Sones	5.36 HS / 1.56 WS	9.9 HS / 4.56 WS	9.9 HS / 4.56 WS
Number of speed settings	3-stage	4-stage	4-stage
Motor location	Integrated motor in hood chimney	Integrated motor in hood chimney	Integrated motor in hood chimney
Number of lights	1	2	2
Bulb type	Fluorescent	Halogen	Halogen
Total power of the lamps (W)	13 W	80 W	80 W
Damper included	Yes	Yes	Yes
Grease filter material	Aluminum	Aluminum	Washable stainless steel
Grease filter type	Multilayer cassette	Multilayer cassette	Multilayer cassette
Technical Details			
Volts (V)	120 V	120 V	120 V
Frequency (Hz)	60 Hz	60 Hz	60 Hz
Plug type	No plug	No plug	No plug
Dimensions & Weight			
Overall appliance dimensions (width of canopy included) (HxWxD) (in.)	24 9/16" – 38 7/8" / 28 1/4" – 42 9/16" x 36" x 19 11/16"	24 9/16" – 38 7/8" / 28 1/4" – 42 9/16" x 36" x 19 11/16"	27 1/16" x 42 1/8" / 27 1/16" x 45 13/16" / 36" x 19 11/16"
Height of the chimney (in.)	19 9/16" – 33 7/8" / 23 1/4" – 42 9/16"	19 9/16" – 33 7/8" / 23 1/4" – 42 9/16"	25 1/2" x 40 9/16" / 25 1/2" x 44 1/4"
Required distance above cooktop / range cooking surface	24" Electric / 30" Gas	24" Electric / 30" Gas	24" Electric / 30" Gas
Diameter of air duct (in.) top	8"	8"	8"
Net weight (lbs)	53 lbs	53 lbs	54 lbs

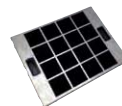
Optional Accessories



HCPEXT5UC
Chimney Extension for 9–11.5 ft. Ceilings for Use with HCP36E51UC and HCP36651UC



HCBEXT5UC
Chimney Extension for 9–11.5 ft. Ceilings for Use with HCB50651UC



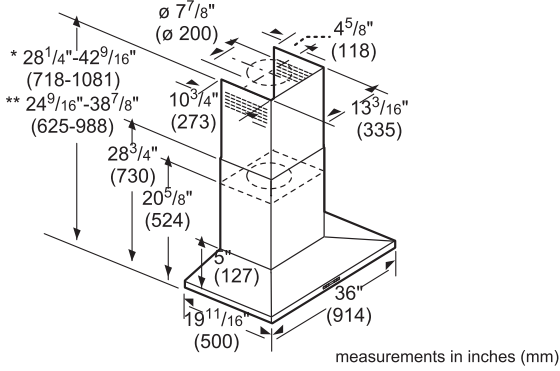
HCIFILTUC
Filter Kit



HCREC5UC
Recirculation Kit

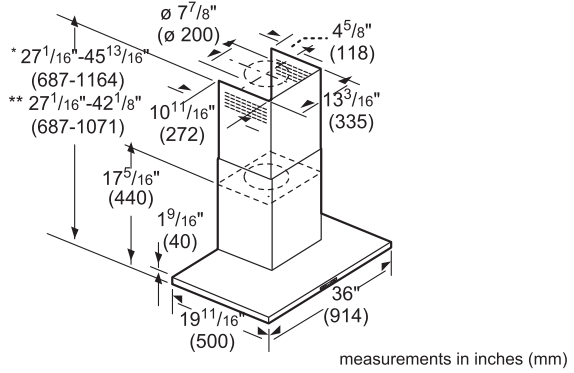
300 / 500 Series 36" Chimney Wall Hoods

36" Pyramid Canopy Chimney Hood

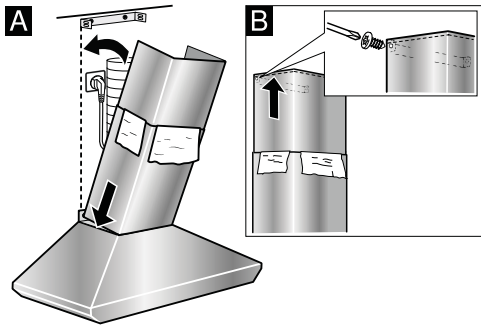


* Recirculating installation
 ** Ducted installation

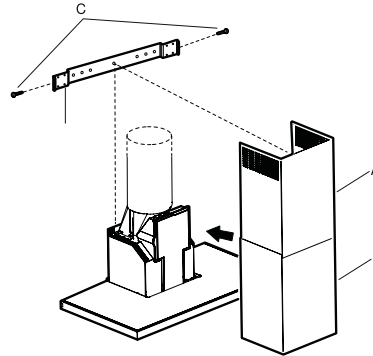
36" Box Canopy Chimney Hood



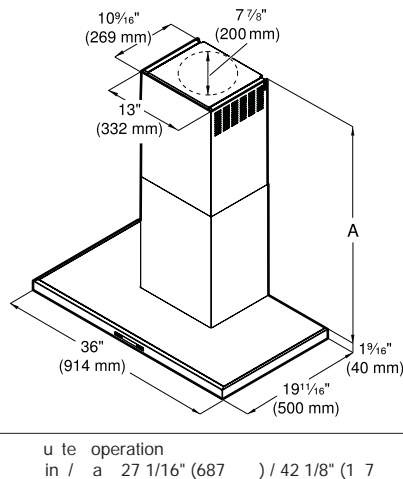
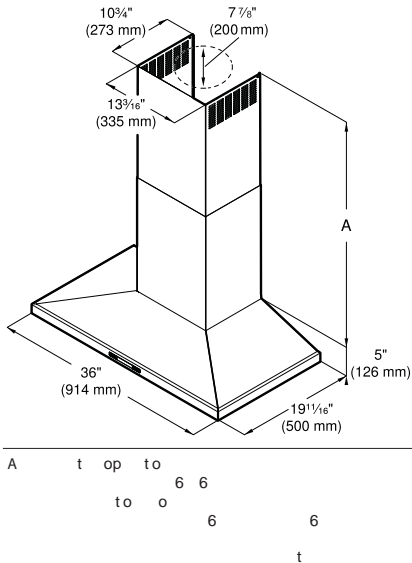
* Recirculating installation
 ** Ducted installation



- A Lower flue duct
- B Upper flue duct



- A Upper flue duct
- B Lower flue duct
- C Screws
- D Angle bracket



800 Series Island Hood



42" 800 Series
Box Canopy Island Hood
HIB82651UC

- 600 CFM
- 4 Halogen Lights
- Stainless Steel Filters with Metal Latch
- 9 ft.–11.5 ft. Duct Cover Extension Accessory

42" Box Canopy Island Hood

Stainless Steel – HIB82651UC

General Properties

Operating mode	Convertible: ducted / recirculating
Maximum CFM	600 CFM
Sones	9.9 HS / 4.56 WS
Number of speed settings	4-stage
Motor location	Integrated motor in hood chimney
Number of lights	4
Bulb type	Halogen
Total power of the lamps (W)	80 W
Damper included	Yes
Grease filter material	Washable stainless steel
Grease filter type	Multilayer cassette

Technical Details

Volts (V)	120 V
Frequency (Hz)	60 Hz
Plug type	No plug

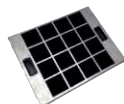
Dimensions & Weight

Overall appliance dimensions (width of canopy included) (HxWxD) (in.)	29 13/16" – 45 5/16" / 29 13/16" – 50 5/16" x 42 1/16" x 27"
Height of the chimney (in.)	27 7/16" – 42 7/8" / 27 7/16" – 47 7/8"
Required distance above cooktop / range cooking surface	24" Electric / 30" Gas
Diameter of air duct (in.) top	8"
Net weight (lbs)	110 lbs

Optional Accessories



HCIEXT5UC
Chimney Extension for 9–11.5 ft.
Ceilings for Use with HIB82651UC



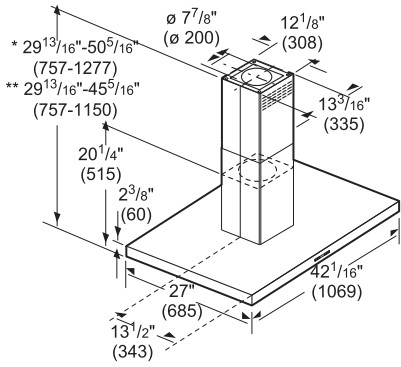
HCIFILTUC
Filter Kit



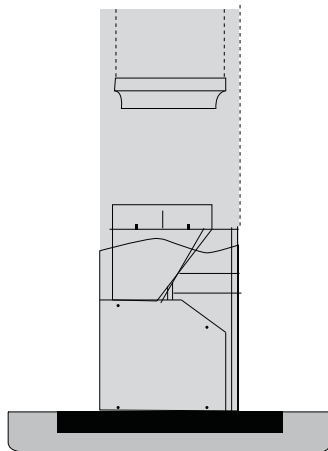
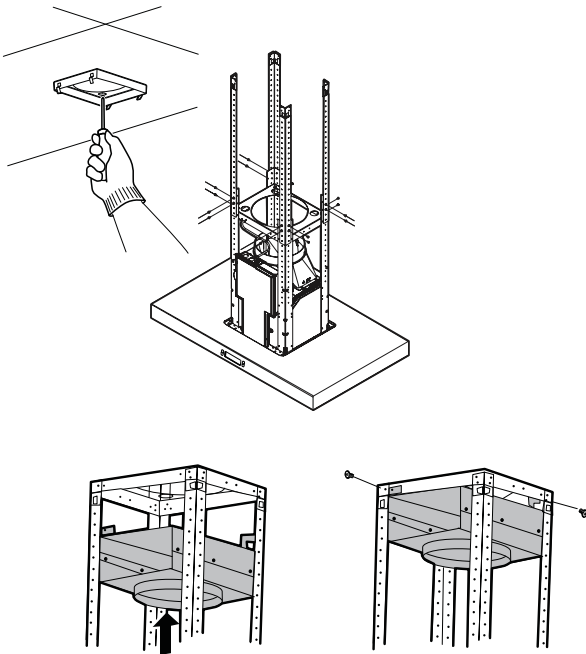
HIREC5UC
Recirculation Kit for HIB82651UC

800 Series Island Hood

42" Box Canopy Island Hood



- * Recirculating installation measurements in inches (mm)
- ** Ducted installation



500 Series Pull-Out Hoods



**24" 500 Series
Pull-Out Hood**
HUI54451UC

- 400 CFM
- Electronic Control
- 2 Halogen Lights
- Convertible: Ducted / Recirculating



**30" 500 Series
Pull-Out Hood**
HUI50351UC

- 300 CFM
- Electronic Control
- 2 Halogen Lights
- Convertible: Ducted / Recirculating



**36" 500 Series
Pull-Out Hood**
HUI56551UC

- + 500 CFM
- Electronic Control
- 2 Halogen Lights
- Convertible: Ducted / Recirculating

+ Indicates a step-up feature

	24"	30"	36"
	Stainless Steel – HUI54451UC	Stainless Steel – HUI50351UC	Stainless Steel – HUI56551UC
General Properties			
Operating mode	Convertible: ducted / recirculating	Convertible: ducted / recirculating	Convertible: ducted / recirculating
Maximum CFM	400 CFM	300 CFM	500 CFM
Number of speed settings	4-stage	3-stage	3-stage
Motor location	Integrated motor in hood body	Integrated motor in hood body	Integrated motor in hood body
Number of lights	2	2	2
Bulb type	Halogen	Halogen	Halogen
Total power of the lamps (W)	40 W	40 W	40 W
Damper included	Yes	Yes	Yes
Grease filter material	Aluminum	Aluminum	Aluminum
Grease filter type	Multilayer cassette	Multilayer cassette	Multilayer cassette
Technical Details			
Volts (V)	120 V	120 V	120 V
Frequency (Hz)	60 Hz	60 Hz	60 Hz
Plug type	120V – 3 Prong	No plug	No plug
Power cord length (in.)	45 1/2"	50"	50"
Dimensions & Weight			
Overall appliance dimensions (width of canopy included) (HxWxD) (in.)	11 13/16" x 23 9/16" x 11 13/16"	11 9/16" x 29 7/8" x 11"	11 9/16" x 35 7/8" x 11"
Required distance above cooktop / range cooking surface	24" Electric / 30" Gas	24" Electric / 30" Gas	24" Electric / 30" Gas
Diameter of air duct (in.) top	6"	6"	6"
Diameter of air duct (in.) back	N/A	6"	6"
Net weight (lbs)	24 lbs	26 lbs	32.5 lbs

Optional Accessories



HVREC5UC
Recirculation Kit for Use with HUI54451UC



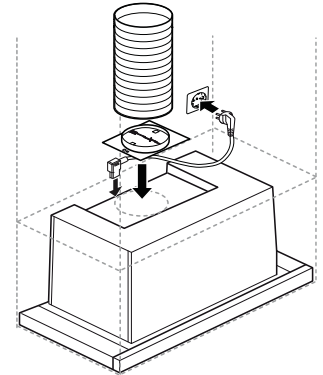
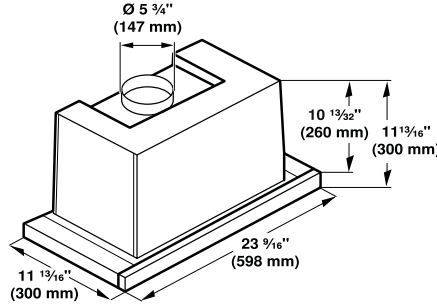
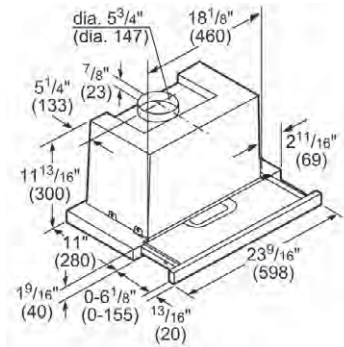
HUIF06UC
Recirculation Kit for Use with HUI50351UC and HUI56551UC



HUIRED56UC
CFM Reducer Kit for Use with HUI56551UC; Reduces CFM to Under 300

500 Series Pull-Out Hoods

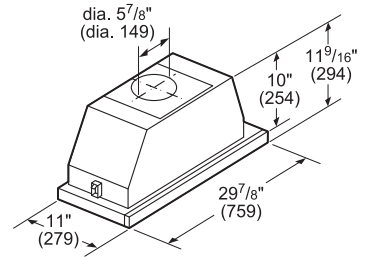
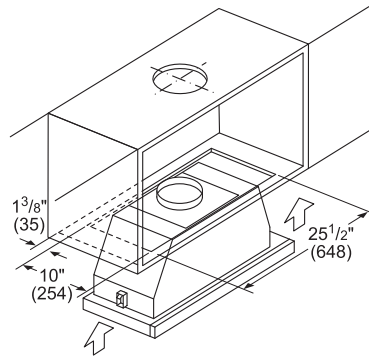
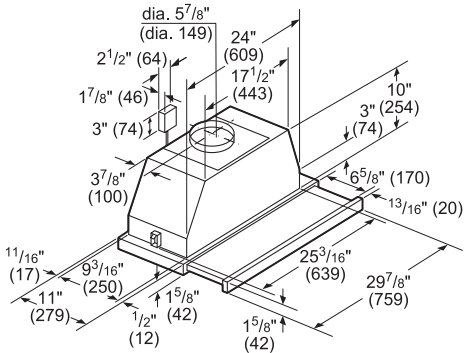
24" Pull-Out Hood



Installation height above cooking surface:
24"-34" (610-864) to Electric
29 1/2"-34" (750-864) to Gas.

Measurements in inches (mm)

30" Pull-Out Hood

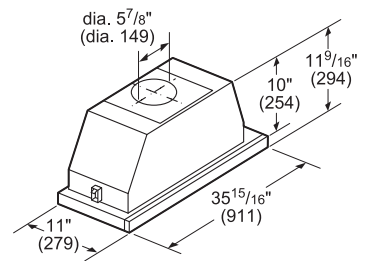
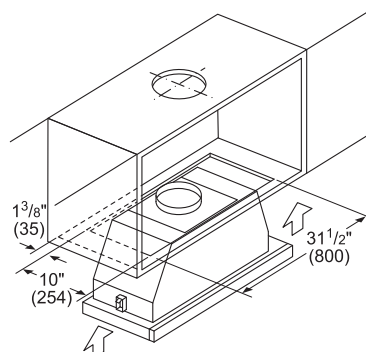
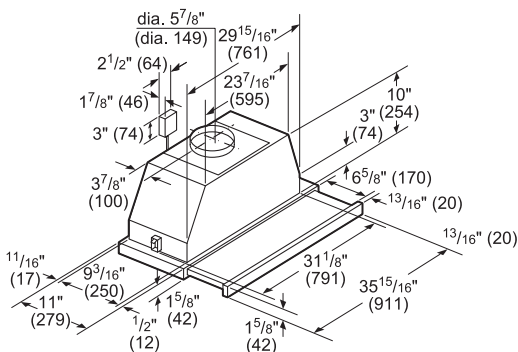


measurements in inches (mm)

Installation height above cooking surface:
24" (610) to Electric
25 3/4" (650) to Gas.

measurements in inches (mm)

36" Pull-Out Hood



measurements in inches (mm)

Installation height above cooking surface:
24" (610) to Electric
25 3/4" (650) to Gas.

measurements in inches (mm)

300 / 500 / 800 Series 30" Under-Cabinet Wall Hoods



30" 300 Series
Under-Cabinet Wall Hood
DUH30152UC

- 280 CFM
- Incandescent Lights
- Aluminum Mesh Filters
- Three Power Levels



30" 500 Series
Under-Cabinet Wall Hood
DUH30252UC

- + 400 CFM
- + Halogen Lights (Not Included)
- Aluminum Mesh Filters
- + Four Power Levels



30" 800 Series
Under-Cabinet Wall Hood
DPH30652UC

- + 600 CFM
- Incandescent Lights
- Aluminum Mesh Filters
- + Professional Design

+ Indicates a step-up feature

	300 Series	500 Series	800 Series
	Stainless Steel – DUH30152UC	Stainless Steel – DUH30252UC	Stainless Steel – DPH30652UC
General Properties			
Operating mode	Convertible: ducted / recirculating	Convertible: ducted / recirculating	Convertible: ducted / recirculating
Maximum CFM	280 CFM	400 CFM	600 CFM
Number of speed settings	3-stage	4-stage	2-stage
Motor location	Integrated motor in hood body	Integrated motor in hood body	Integrated motor in hood body
Number of lights	2	2 (not included)	2
Bulb type	Incandescent	Halogen	Incandescent
Total power of the lamps (W)	80 W	100 W	80 W
Damper included	Yes	Yes	Yes
Grease filter material	Aluminum	Aluminum	Aluminum
Grease filter type	Multilayer cassette	Multilayer cassette	Multilayer cassette
Technical Details			
Watts (W)	N/A	N/A	142 W
Volts (V)	120 V	120 V	120 V
Frequency (Hz)	60 Hz	60 Hz	60 Hz
Plug type	No plug	No plug	No plug
Dimensions & Weight			
Overall appliance dimensions (width of canopy included) (HxWxD) (in.)	5" x 30" x 20"	5" x 30" x 20"	11" x 30" x 23"
Required distance above cooktop / range cooking surface	30" Electric / 30" Gas	30" Electric / 30" Gas	30" Electric / 30" Gas
Diameter of air duct (in.) top	7"	7"	8"
Diameter of air duct (in.) back	3 1/4" x 10" rectangular	3 1/4" x 10" rectangular	8"
Net weight (lbs)	42 lbs	42 lbs	34 lbs

Optional Accessories for 300 and 500 Series Under-Cabinet Hoods

DHZ3002UC
Replacement Charcoal Filter

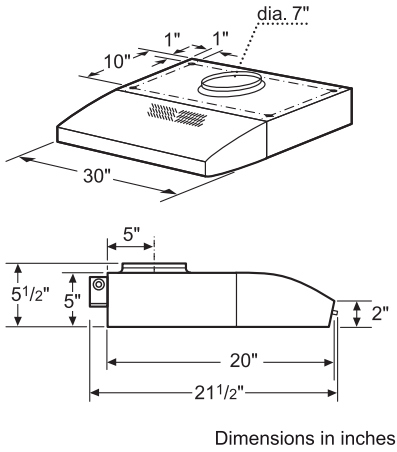
Optional Accessories for 800 Series Under-Cabinet Hood

DHZ3052UC
Replacement Charcoal Filter

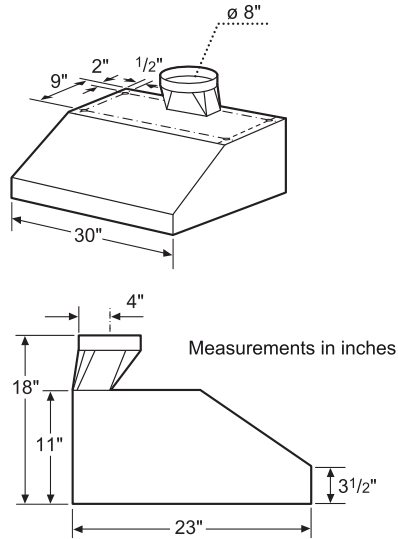
DRZ3052UC
Recirculation Kit Adds 4" Height to Appliance

300 / 500 / 800 Series 30" Under-Cabinet Wall Hoods

300 / 500 Series 30" Under-Cabinet Hoods Dimensions

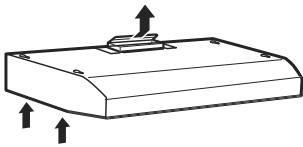


800 Series 30" Under-Cabinet Hood Dimensions

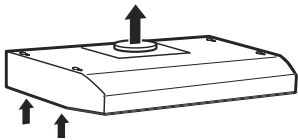


300 / 500 Series 30" Under-Cabinet Hoods Venting

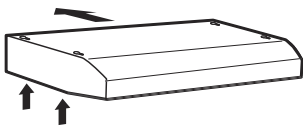
Vertical discharge:
Use a rectangular duct 3 1/4" x 10"....



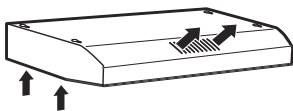
....or use a round 7" duct



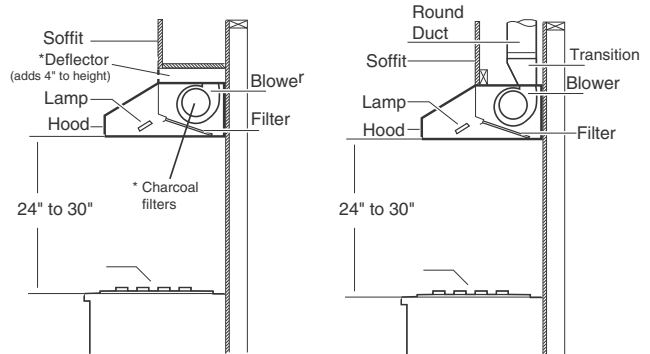
Horizontal discharge:
Use a rectangular duct 3 1/4" x 10"



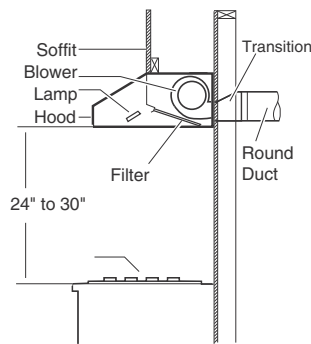
Recirculating (non vented ductless)



800 Series 30" Under-Cabinet Hood Venting



Recirculating
* Optional accessory - Ductless recirculation kit. Adds 4" to height of appliance.



Horizontal discharge

300 / 500 / 800 Series 36" Under-Cabinet Wall Hoods



36" 300 Series
Under-Cabinet Wall Hood
DUH36152UC

- 280 CFM
- Incandescent Lights
- Aluminum Mesh Filters
- Three Power Levels



36" 500 Series
Under-Cabinet Wall Hood
DUH36252UC

- + 400 CFM
- + Halogen Lights (Not Included)
- Aluminum Mesh Filters
- + Four Power Levels



36" 800 Series
Under-Cabinet Wall Hood
DPH36652UC

- + 600 CFM
- Incandescent Lights
- Aluminum Mesh Filters
- + Professional Design

+ Indicates a step-up feature

	300 Series	500 Series	800 Series
	Stainless Steel – DUH36152UC	Stainless Steel – DUH36252UC	Stainless Steel – DPH36652UC
General Properties			
Operating mode	Convertible: ducted / recirculating	Convertible: ducted / recirculating	Convertible: ducted / recirculating
Maximum CFM	280 CFM	400 CFM	600 CFM
Number of speed settings	3-stage	4-stage	2-stage
Motor location	Integrated motor in hood body	Integrated motor in hood body	Integrated motor in hood body
Number of lights	2	2 (not included)	2
Bulb type	Incandescent	Halogen	Incandescent
Total power of the lamps (W)	80 W	100 W	80 W
Damper included	Yes	Yes	Yes
Grease filter material	Aluminum	Aluminum	Aluminum
Grease filter type	Multilayer cassette	Multilayer cassette	Multilayer cassette
Technical Details			
Watts (W)	N/A	N/A	253 W
Volts (V)	120 V	120 V	120 V
Frequency (Hz)	60 Hz	60 Hz	60 Hz
Plug type	No plug	No plug	No plug
Dimensions & Weight			
Overall appliance dimensions (width of canopy included) (HxWxD) (in.)	5" x 36" x 20"	5" x 36" x 20"	11" x 36" x 23"
Required distance above cooktop / range cooking surface	30" Electric / 30" Gas	30" Electric / 30" Gas	30" Electric / 30" Gas
Diameter of air duct (in.) top	7"	7"	8"
Diameter of air duct (in.) back	3 1/4" x 10" rectangular	3 1/4" x 10" rectangular	8"
Net weight (lbs)	41 lbs	41 lbs	34 lbs

Optional Accessories for 300 and 500 Series Under-Cabinet Hoods

DHZ3002UC
Replacement Charcoal Filter

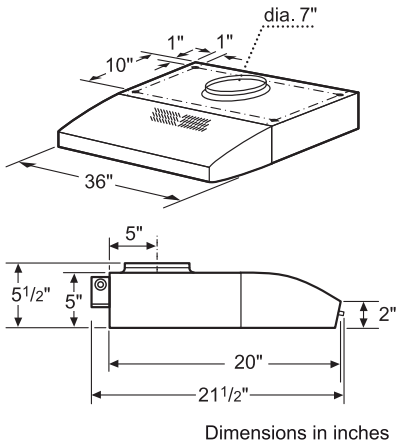
Optional Accessories for 800 Series Under-Cabinet Hood

DHZ3052UC
Replacement Charcoal Filter

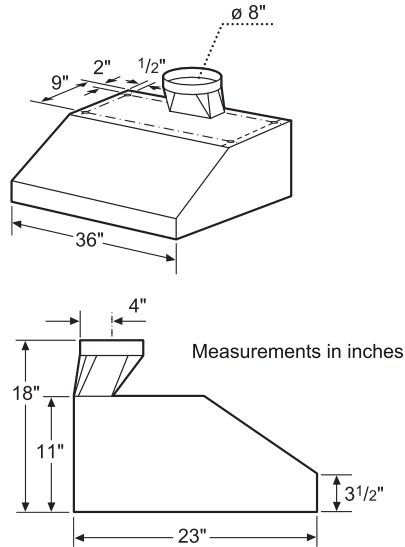
DRZ3652UC
Recirculation Kit Adds 4" Height to Appliance

300 / 500 / 800 Series 36" Under-Cabinet Wall Hoods

300 / 500 Series 36" Under-Cabinet Hoods Dimensions



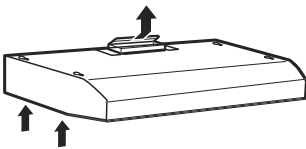
800 Series 36" Under-Cabinet Hood Dimensions



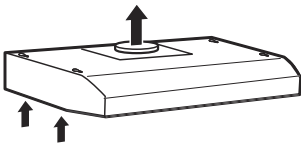
300 / 500 Series 36" Under-Cabinet Hoods Venting

Vertical discharge:

Use a rectangular duct 3 1/4" x 10".....

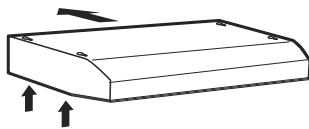


....or use a round 7" duct

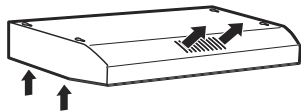


Horizontal discharge:

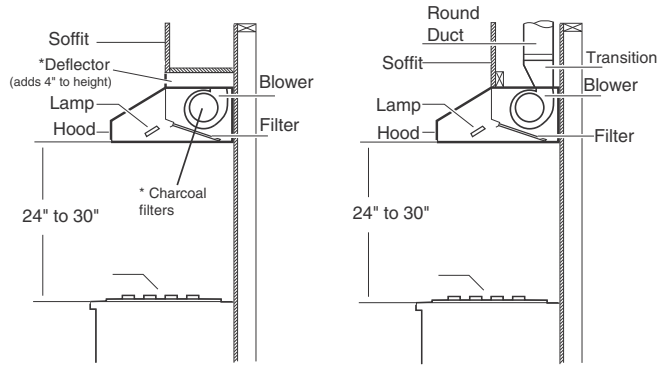
Use a rectangular duct 3 1/4" x 10"



Recirculating (non vented ductless)

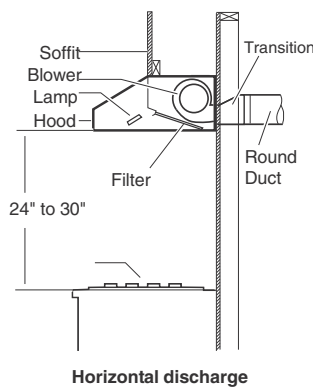


800 Series 36" Under-Cabinet Hood Venting



Recirculating

* Optional accessory - Ductless recirculation kit. Adds 4" to height of appliance.



Horizontal discharge

800 Series Downdraft Hoods



30" – DHD3014UC



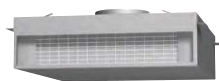
36" – DHD3614UC

800 Series Downdraft Hoods

- 13" Telescopic Chimney
- 600 CFM Blower Options (Sold Separately)
- Stainless Steel Filters with Metal Latch
- Three Power Levels
- Recirculation Option (Sold Separately)

	30"	36"
	Stainless Steel – DHD3014UC	Stainless Steel – DHD3614UC
General Properties		
Operating mode	Convertible: ducted / recirculating	Convertible: ducted / recirculating
Maximum CFM	Blower sold separately	Blower sold separately
Number of speed settings	3-stage	3-stage
Motor location	External	External
Damper included	Yes	Yes
Grease filter material	Washable stainless steel	Washable stainless steel
Grease filter type	Multilayer cassette	Multilayer cassette
Technical Details		
Volts (V)	120 V	120 V
Frequency (Hz)	60 Hz	60 Hz
Plug type	120V – 3 prong	120V – 3 prong
Power cord length (in.)	30"	30"
Dimensions & Weight		
Overall appliance dimensions (width of canopy included) (HxWxD) (in.)	21 5/8" x 31" x 3 3/4"	21 5/8" x 37" x 3 3/4"
Height of the rise (in.)	13"	13"
Diameter of air duct (in.) top	10"	10"
Net weight (lbs)	37 lbs	47 lbs

Optional Accessories



DHDRM36UC
Recirculation Kit



DHZDHR6
6" Duct Transition

Note: Required With the Installation of Inline and Remote Blowers for Downdraft Applications Only. DHZDHR6 Is for 600 CFM Which Will Improve Overall Performance.



DHG601DUC
600 CFM Internal Blower



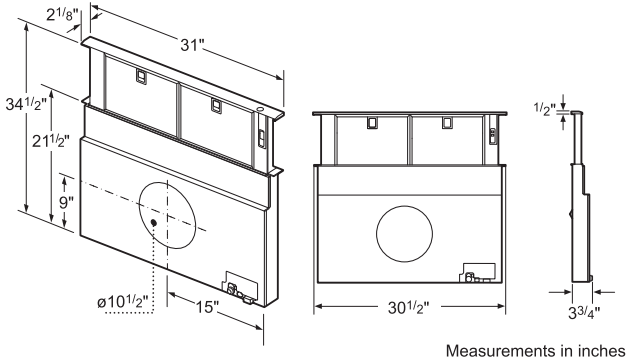
DHG6015NUC
600 CFM Inline Blower



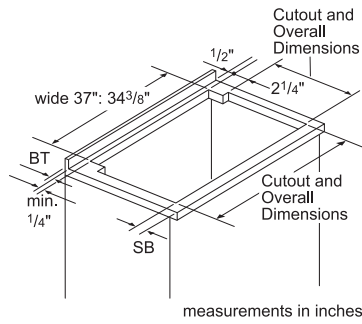
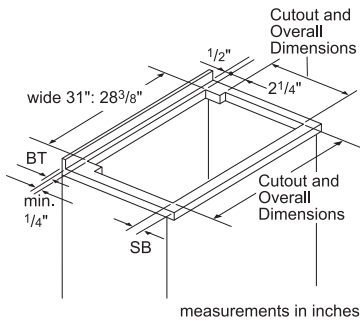
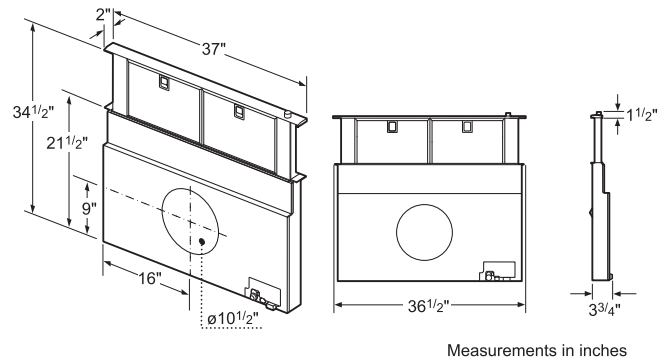
DHG6023RUC
600 CFM Remote Blower

800 Series Downdraft Hoods

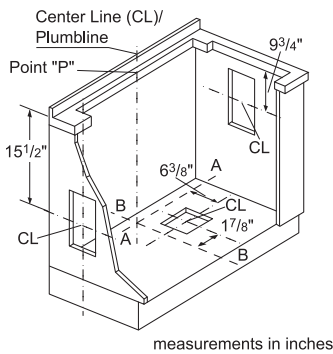
30" Downdraft Hood



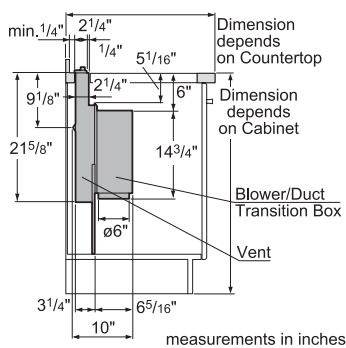
36" Downdraft Hood



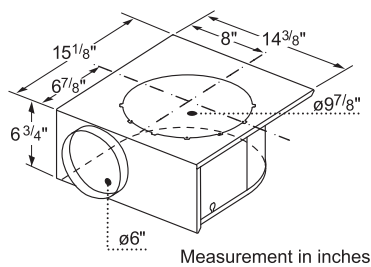
30" & 36" Downdraft Hoods



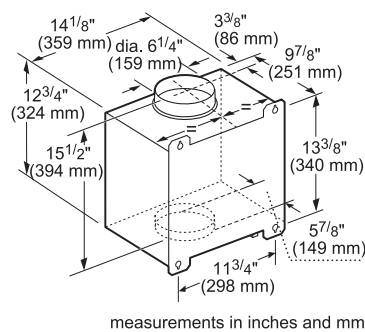
30" & 36" Downdraft Hoods



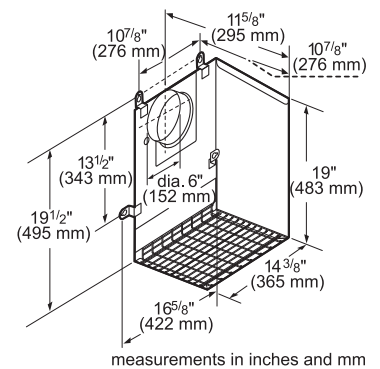
DHG601DUC 600 CFM Internal Blower



DHG6015NUC 600 CFM Inline Blower



DHG6023RUC 600 CFM Remote Blower



300 / 500 Series Custom Insert Hoods



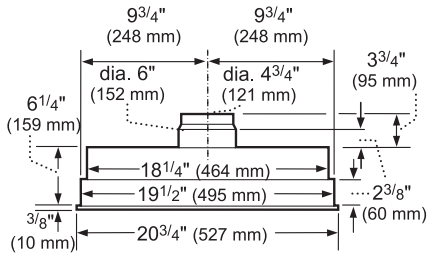
300 Series
21" – HUI31451UC
500 Series
29" – DHL755BUC
Custom Insert Hoods

- 400 CFM
- 2 Halogen Lights
- Aluminum Mesh Filters
- Slide Control Switch

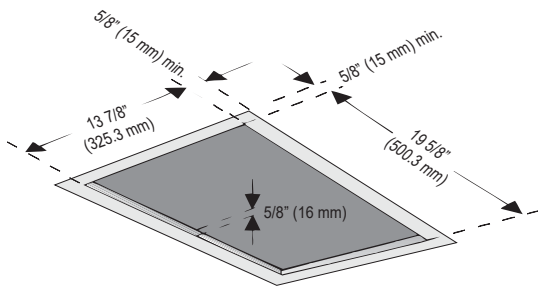
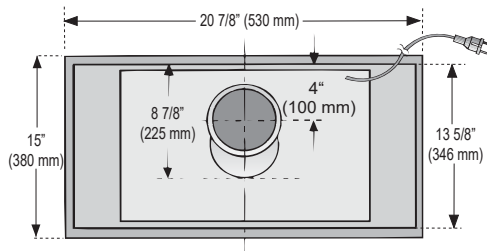
	300 Series	500 Series
	21" – HUI31451UC	29" – DHL755BUC
General Properties		
Operating mode	Ducted	Ducted
Maximum CFM	400 CFM	400 CFM
Number of speed settings	3-stage	3-stage
Motor location	Integrated motor in hood body	Integrated motor in hood body
Number of lights	2	2
Bulb type	Halogen	Halogen
Total power of the lamps (W)	40 W	40 W
Damper included	Yes	Yes
Grease filter material	Aluminum	Aluminum
Grease filter type	Multilayer cassette	Multilayer cassette
Technical Details		
Volts (V)	120 V	120 V
Frequency (Hz)	60 Hz	60 Hz
Plug type	120V – 3 prong	120V – 3 prong
Power cord length (in.)	51"	51"
Dimensions & Weight		
Overall appliance dimensions (width of canopy included) (HxWxD) (in.)	10" x 20 ³ / ₄ " x 15"	6 ¹ / ₄ " / x 28 ¹¹ / ₁₆ " x 15"
Required distance above cooktop / range cooking surface	30" Electric / 30" Gas	30" Electric / 30" Gas
Diameter of air duct (in.) top	6"	6"
Net weight (lbs)	19 lbs	23 lbs

300 / 500 Series Custom Insert Hoods

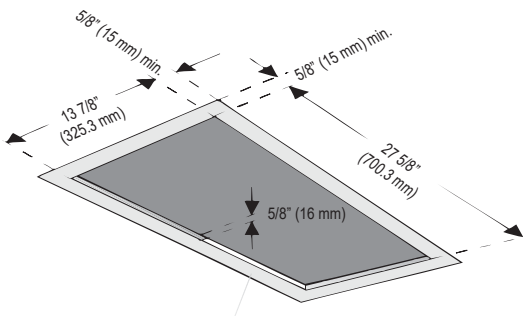
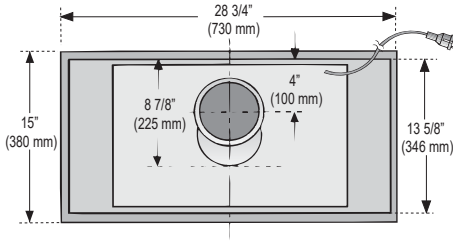
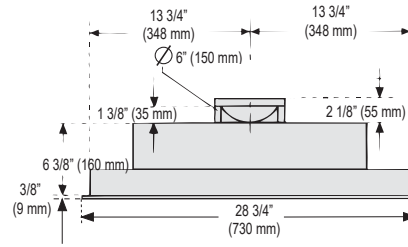
21" Custom Insert Hood



measurements in inches and mm



29" Custom Insert Hood





Dishwashers

From their legendary quiet performance to their promise of sparkling clean dishes, Bosch dishwashers deliver a lasting quality you've come to trust and expect. As the quietest dishwasher brand in the U.S.,* Bosch dishwashers bring peace and quiet to the kitchen. And now with the industry's largest 3rd rack loading capacity,** The MyWay™ rack lends a new level of loading ease. Plus, our Rackmatic® adjustable middle racks and FlexSpace™ tines offer even more flexible loading options. Discover how Bosch dishwashers are flexible enough to handle whatever life brings.

*Based on an average of sound ratings of 24" Full Size Stainless Steel Tub dishwashers contained in major brands websites. Major brands defined as TraQline Top 5 Market Share December 2016.

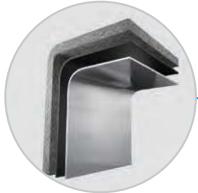
**Versus major brands with a 3rd rack. Major brands defined as TraQline Top 10 Market Share. June 2016.

Benchmark® Dishwashers



MyWay™ rack

The largest, most versatile 3rd rack of its kind, MyWay™ easily fits more of your larger, deeper items like cereal bowls, freeing up extra space for oversized items in the bottom rack.



Ultra-quiet performance

Our quietest dishwasher line, Benchmark® models offer near-silent performance with models as low as 38 dBA. (Available on select Benchmark® models only)



EasyGlide™ rack system on all three racks

Smooth-rolling ball bearings add a smoother glide to all three racks, so you get a more premium feel with every pull—even when the rack is fully loaded. (Available on select Benchmark® models only.)



FlexSpace™ plus tines

FlexSpace™ Plus gives you complete flexibility. Either fold down every other tine in the row or fold them all down—to create space to load larger dishes such as pasta bowls or even small frying pans more efficiently. (Available on select Benchmark® models only)



Interior light

A bright white interior light adds an aesthetic accent in the kitchen and makes loading easier in dim lighting. (Available on select Benchmark® models only)



TimeLight®

Shines the amount of time remaining in the cycle right on the floor. (Available on select Benchmark® models only)



Water softener

A built-in water softener removes hard water spots caused by lime deposits, softening the water to the appropriate level to ensure spot-free, shiny dishes. (Available on select Benchmark® models only)



TFT display

The full-color TFT control is intuitive and easy to use, while also matching the other Bosch products in the Benchmark® kitchen. (Available on select Benchmark® models only)



Benchmark® Dishwashers



- Benchmark®**
- 42 dBA
 - SHP87PW55N** • MyWay™ 3rd Rack
 - SHX87PW55N** • Speed60®
 - TimeLight®



- Benchmark®**
- + 40 dBA
 - SHP88PW55N** + FlexSpace™ Plus Tines
 - SHX88PW55N** + Water Softener
 - SHV88PW53N** + EasyGlide™ Rack System Upper and Lower Rack



- Benchmark®**
- +39 dBA (Custom Panel Model is 40 dBA)
 - SHE89PW55N** • Model is 40 dBA
 - SHX89PW55N** + Interior Light
 - SHV89PW53N** + EasyGlide™ Rack System on All 3 Loading Levels
 - + TFT Display

+ Indicates a step-up feature

Pocket Handle – SHP87PW55N
Bar Handle – SHX87PW55N

Pocket Handle – SHP88PW55N
Bar Handle – SHX88PW55N
Custom Panel – SHV88PW53N

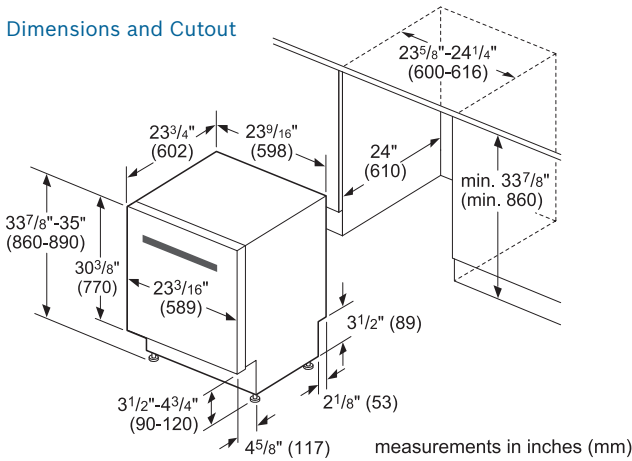
Recessed Handle – SHE89PW55N
Bar Handle – SHX89PW55N
Custom Panel – SHV89PW53N

General Properties			
Number of wash cycles / options	6 / 6	6 / 6	7 / 7
dBA	42	40	39 / 39 / 40
Third rack	MyWay™ Rack	MyWay™ Rack	MyWay™ Rack
Rack adjustability	RackMatic®	RackMatic®	RackMatic®
Tub material	Stainless steel	Stainless steel	Stainless steel
Control type	Touch control	Touch control	Touch control with TFT display
Concealed heating element	Yes	Yes	Yes
Leak protection system	24/7 AquaStop®	24/7 AquaStop®	24/7 AquaStop®
Water softener	No	Yes	Yes
Five-level wash	Yes	Yes	Yes
ChildLock	No	No	No
InfoLight® / TimeLight®	TimeLight®	TimeLight®	Bar handle and custom panel only
Special features	Extra dry option	Extra dry option	Interior light, EasyGlide™ Rack System
Efficiency and Capacity			
Water usage per cycle	2.9	2.9	2.9
Energy efficiency class	Tier 1	Tier 1	Tier 1
ENERGY STAR® qualified	Yes	Yes	Yes
Total annual energy / water consumption	269 kWh / 623.5 g	269 kWh / 623.5 g	269 kWh / 623.5 g
Number of place settings	16	16	16
Technical Data			
Watts (W)	1440 W	1440 W	1440 W
Current (A) / Volts (V) / Frequency (Hz)	12 A / 120 V / 60 Hz	12 A / 120 V / 60 Hz	12 A / 120 V / 60 Hz
Power cord length	N/A	N/A	N/A
Minimum water pressure (lb / sin)	14	14	14
Length outlet hose (in)	79"	79"	79"
Dimensions & Weight			
Overall appliance dimensions (HxWxD) (in)	33 7/8" x 23 9/16" x 23 3/4"	33 7/8" x 23 9/16" x 23 3/4" (Custom panel D: 23 1/16")	33 7/8" x 23 9/16" x 23 3/4" (Custom panel W: 23 1/16")
Required cutout size (HxWxD) (in)	33 7/8" x 23 5/8" x 24"	33 7/8" x 23 5/8" x 24"	33 7/8" x 23 5/8" x 24"
Adjustable feet	Yes	Yes	Yes
Net weight (lbs)	103 lbs	112 / 112 / 109 lbs	111 / 111 / 108 lbs

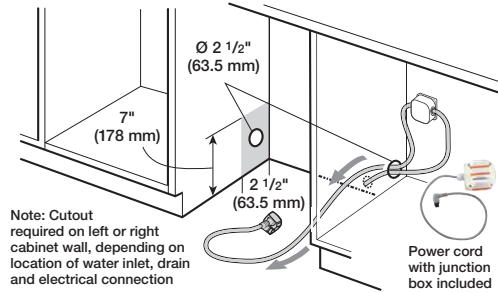
Optional Accessories							
SGZ9091UC Softener Salt (4.4 lbs)	SGZ1010UC Drain Hose Extension	SMZPC002UC Power Cord with Cold Plug	SMZ5000 Accessory Kit	SMZ5002UC Anti-Tarnish Silverware Cassette	SHZ1008UC Stainless Steel Door with Stainless Steel Straight Bosch Bar Handle	SMZ1007UC Stainless Steel Straight Bosch Bar Handle	SMZ4026 Silverware insert for MyWay™ Rack

Benchmark® Dishwashers

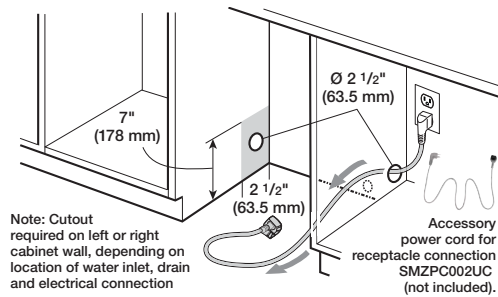
Dimensions and Cutout



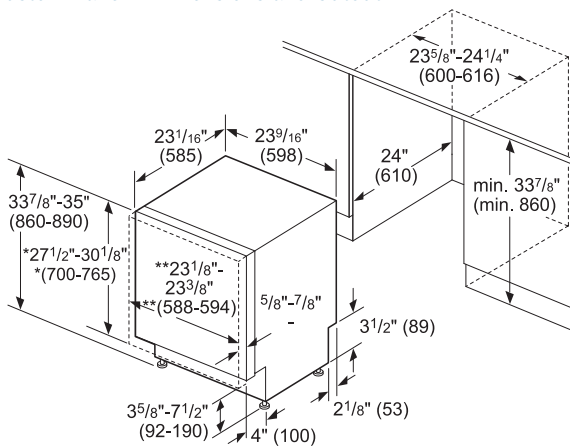
Example of Hardwire Installation



Example of Electrical Receptacle Installation



Custom Panel – Dimensions and Cutout



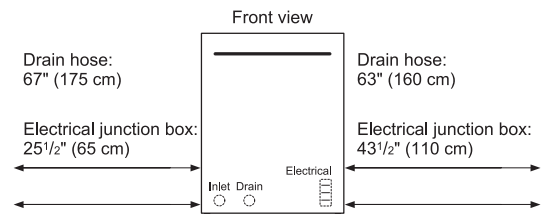
* measured from the bottom edge of the countertop panel thickness recommended 3/4" (20 mm).

This dishwasher can accept custom door panel weights ranging from 7 to 24 lbs; however, the dishwasher comes from the factory ready for custom panel door weights from 11 to 18 lbs. If you plan on using a door panel that is not 11 to 18 lbs. please contact customer service at (800) 944-2904.

** 24" (610 mm) wide panel may be used depending on cabinet design

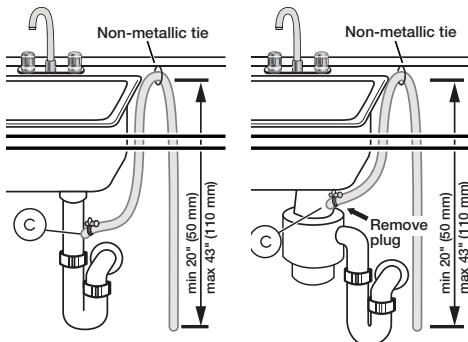
Note: Refer to installation template for mounting hardware locations measurements in inches (mm)

Water and Electrical Locations



All connections are at the rear of the appliance. Extension for drain hose available as accessory. Power cord for connection to electrical outlet (3-prong plug) available as accessory.

Plumbing

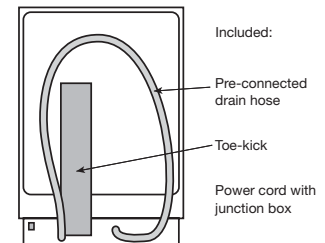


Note: Plumbing installations will vary - refer to local codes. Drain hose included is 79 (201 cm) and can be extended to a maximum of 155 3/4" (396 cm).

Always use the approved drain hose extension kit (SGZ1010UC).

Ensure a portion of the drain hose is raised between min. 20" (50 cm) and max. 43" (110 cm) above the cabinet floor.

Included Parts & Accessories



Benchmark® Dishwashers



Benchmark® +239 kWh / Year
SHE9PT55UC • Flexible 3rd Rack
SHX9PT55UC + Alternating Tines
SHV9PT53UC • Manufactured in Germany

Benchmark® +38 dBA
SHX9PT75UC • Manufactured in Germany

+ Indicates a step-up feature

Recessed Handle – SHE9PT55UC
 Bar Handle – SHX9PT55UC
 Custom Panel – SHV9PT53UC

Bar Handle – SHX9PT75UC

General Properties		
Number of wash cycles / options	6 / 5	6 / 5
dBA	39	38
Third rack	Flexible	Flexible
Rack adjustability	RackMatic®	RackMatic®
Tub material	Stainless steel	Stainless steel
Control type	SteelTouch control	SteelTouch control
Concealed heating element	Yes	Yes
Leak protection system	24/7 AquaStop® Plus	24/7 AquaStop® Plus
Water softener	Yes	Yes
Five-level wash	Yes	Yes
ChildLock	No	No
TFT display	Recessed handle model only	No
InfoLight®	Bar handle and custom panel models only	Yes
Special features	Made in Germany, alternating folding tines, flexible silverware basket, SpeedPerfect®	Made in Germany, interior light, alternating folding tines, flexible silverware basket, SpeedPerfect®
Efficiency and Capacity		
Water usage per cycle	2.2	2.2
Energy efficiency class	Tier 1	Tier 1
ENERGY STAR® qualified	Yes	Yes
Total annual energy / water consumption	239 kWh / 624 g	239 kWh / 624 g
Number of place settings	15	15
Technical Data		
Watts (W)	1300 W	1300 W
Current (A) / Volts (V) / Frequency (Hz)	12 A / 120 V / 60 Hz	12 A / 120 V / 60 Hz
Power cord length	63"	63"
Minimum water pressure (lb / sin)	7	7
Length outlet hose (in)	55" / 63"	55" / 63"
Dimensions & Weight		
Overall appliance dimensions (HxWxD) (in)	Recessed and bar handle: 34 1/8" x 23 9/16" x 22 7/16" (Custom panel D: 21 5/8")	34 1/8" x 23 9/16" x 22 7/16"
Required cutout size (HxWxD) (in)	34 1/8" x 24" x 24"	34 1/8" x 24" x 24"
Adjustable feet	Yes	Yes
Net weight (lbs)	118 / 121 / 113 lbs	120 lbs

Optional Accessories

SGZ9091UC
Softener Salt (4.4 lbs)

SGZ1010UC
Drain Hose Extension
Kit 76 3/4"

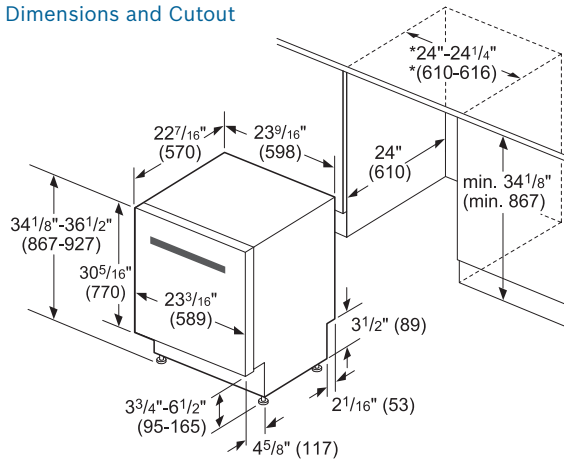
SMZ5000
Accessory Kit

SMZ5002UC
Anti-Tarnish
Silverware Cassette

SHZ1008UC
Stainless Steel Door with Stainless Steel
Straight Bar Handle

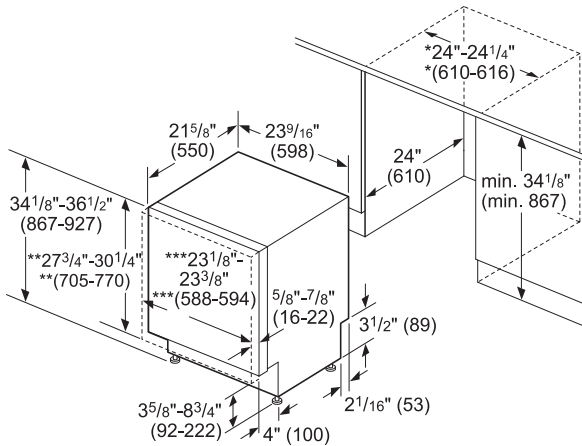
Benchmark® Dishwashers

Dimensions and Cutout



*23 5/8" (600) without decor strips measurements in inches (mm)

Custom Panel – Dimensions and Cutout



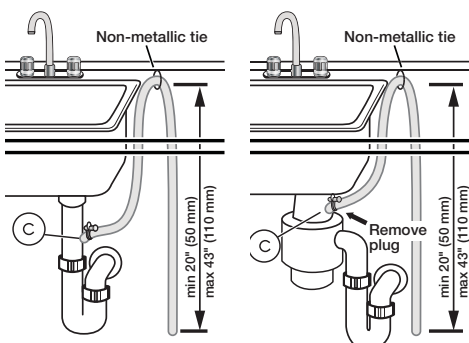
* 23 5/8" (600 mm) without decor strips
 ** measured from the bottom edge of the countertop panel thickness recommended 3/4" (20 mm).

This dishwasher can accept custom door panel weights ranging from 7 to 24 lbs; however, the dishwasher comes from the factory ready for custom panel door weights from 11 to 18 lbs. If you plan on using a door panel that is not 11 to 18 lbs. please contact customer service at (800) 944-2904.

*** 24" (610 mm) wide panel may be used depending on cabinet design

Note: Refer to installation template for mounting hardware locations
 measurements in inches (mm)

Plumbing

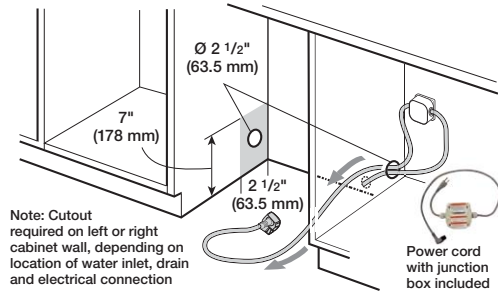


Note: Plumbing installations will vary - refer to local codes. Drain hose included is 88 5/8" (225 cm) and can be extended to a maximum of 165 3/8" (420 cm).

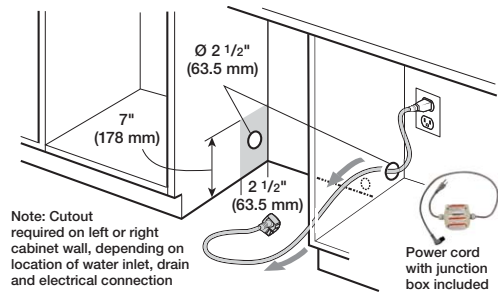
Always use the approved drain hose extension kit (SGZ1010UC).

Ensure a portion of the drain hose is raised between min. 20" (50 cm) and max. 43" (110 cm) above the cabinet floor.

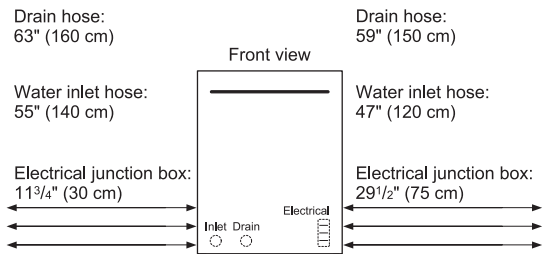
Example of Hardwire Installation



Example of Electrical Receptacle Installation

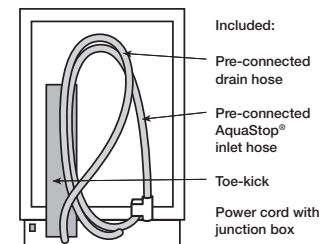


Water and Electrical Locations



All connections are at the rear of the appliance.
 Extension for drain hose available as accessory.
 Power cord for connection to electrical outlet (3-prong plug) available as accessory.

Included Parts & Accessories



Ascenta® Dishwashers



- Ascenta® • 50 dBA
- *SHE3AR7_UC • 6 Cycles / 2 Options
- *SHX3AR7_UC • Racks with Manual Height Adjustment



- Ascenta® • +46 dBA
- *SHS5AV5_UC • +RackMatic® Height Adjustable System
- *SHX5AV5_UC • +InfoLight®



- Ascenta® DLX • +5 Cycles / 5 Options
- *SHS5AVL_UC • +ExtraScrub Option
- SHX5AVL5UC

- + Indicates a step-up feature
- * Multiple colors available. See color chips to fill in missing digit.

	Ascenta®	Ascenta®	Ascenta® DLX
	Recessed Handle – SHE3AR7_UC Bar Handle – SHX3AR7_UC	Scoop Handle – SHS5AV5_UC Bar Handle – SHX5AV5_UC	Scoop Handle – SHS5AVL_UC Bar Handle – SHX5AVL5UC
General Properties			
Number of wash cycles / options	6 / 2	Scoop handle: 6 / 2 Bar handle: 5 / 4	5 / 5
dBA	50	46	46
Third rack	No	No	No
Rack adjustability	Manual	RackMatic®	RackMatic®
Tub material	Stainless steel / polypropylene	Stainless steel with polypropylene	Stainless steel with polypropylene
Control type	Buttons	Buttons	Buttons
Concealed heating element	Yes	Yes	Yes
Leak protection system	24/7 Overflow protection	24/7 Overflow protection	24/7 Overflow protection
Water softener	No	No	No
Five-level wash	Yes	Yes	Yes
ChildLock	Recessed handle model only	No	No
TFT display	No	No	No
InfoLight®	No	Yes	Yes
Special features	N/A	InfoLight®	ExtraScrub option
Efficiency and Capacity			
Water usage per cycle	3.2	3.2	3.2
Energy efficiency class	Tier 1	Tier 1	Tier 1
ENERGY STAR® qualified	Yes	Yes	Yes
Total annual energy / water consumption	269 kWh / 688 g	269 kWh / 688 g	269 kWh / 688 g
Number of place settings	14	14	14
Technical Data			
Watts (W)	1400 W	1300 W	1300 W
Current (A) / Volts (V) / Frequency (Hz)	12 A / 120 V / 60 Hz	12 A / 120 V / 60 Hz	12 A / 120 V / 60 Hz
Power cord length	N/A	N/A	N/A
Minimum water pressure (lb / sin)	15	15	15
Length outlet hose (in)	N/A / 90 1/2"	N/A / 90 1/2"	N/A / 90 1/2"
Dimensions & Weight			
Overall appliance dimensions (HxWxD) (in)	33 7/8" x 23 9/16" x 23 3/4"	33 7/8" x 23 9/16" x 23 3/4"	33 7/8" x 23 9/16" x 23 3/4"
Required cutout size (HxWxD) (in)	33 7/8" x 24" x 24"	33 7/8" x 23 5/8" x 24"	33 7/8" x 23 5/8" x 24"
Adjustable feet	Yes	Yes	Yes
Net weight (lbs)	69 / 71 lbs	68 / 69 lbs	68 / 69 lbs

Optional Accessories

SGZ1010UC
Drain Hose Extension 76 3/4"

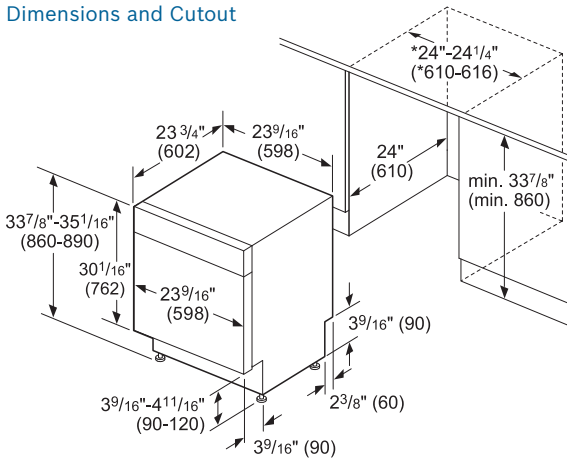
SGZPC001UC
3-Prong Power Cord 55 1/4"

SGZ1052UC
Accessory Kit

SMZ4000UC
DoubleFlex Silverware Basket

Ascenta® Dishwashers

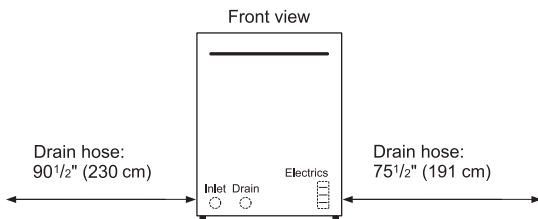
Dimensions and Cutout



*23⁵/₈" (600) without decor strips

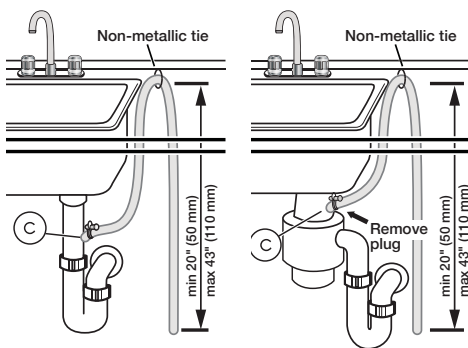
measurements in inches (mm)

Water and Electrical Locations



The electrical junction box and water inlet are at the front of the appliance, the drain at the rear.

Plumbing



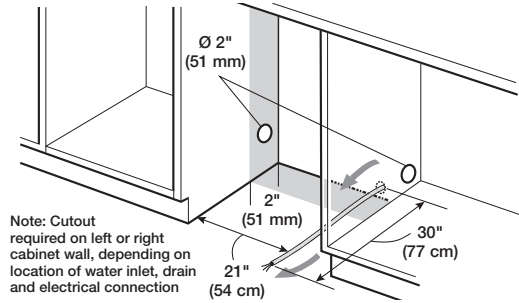
Note: Plumbing installations will vary - refer to local codes.

Drain hose included is 90 1/2" (230 cm) and can be extended to a maximum of 168 1/2" (428 cm).

Always use the approved drain hose extension kit (SGZ1010UC).

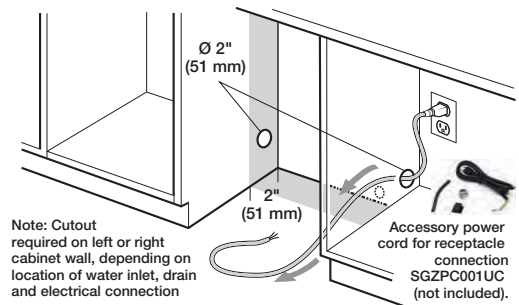
Ensure a portion of the drain hose is raised between min. 20" (50 cm) and max. 43" (110 cm) above the cabinet floor.

Example of Hardwire Installation



Note: Cutout required on left or right cabinet wall, depending on location of water inlet, drain and electrical connection

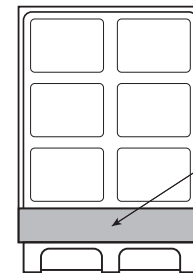
Example of Electrical Receptacle Installation



Note: Cutout required on left or right cabinet wall, depending on location of water inlet, drain and electrical connection

Accessory power cord for receptacle connection SGZPC001UC (not included).

Included Parts & Accessories



Included:
Drain hose
Toe-kick

300 Series / DLX Dishwashers



- 300 Series +44 dBA
- *SHEM63W5_N +Standard 3rd Rack
- *SHSM63W5_N +FlexSpace™ Tines
- SHXM63W55N +Speed60®
- SHVM63W53N +16 Place Settings
- +24/7 AquaStop®

- 300 Series +Water Softener
- SHXM63WS5N +Touch Control

- 300 Series DLX +ExtraScrub Option
- *SHS863WD_N +DoubleFlex
- SHX863WD5N Silverware Basket
- SHV863WD3N

+ Indicates a step-up feature
 * Multiple colors available. See color chips to fill in missing digit.

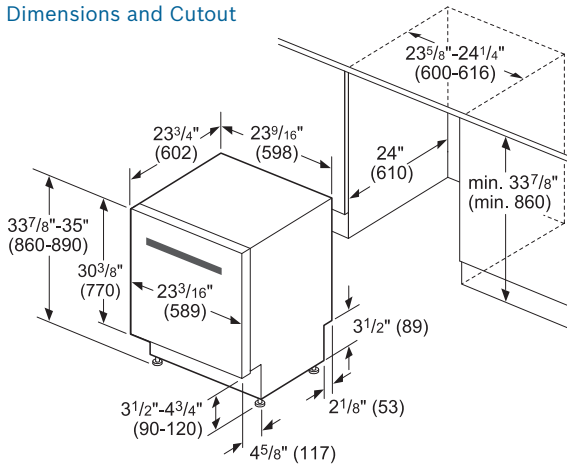
300 Series	300 Series	300 Series DLX
Recessed Handle – SHEM63W5_N Scoop Handle – SHSM63W5_N Bar Handle – SHXM63W55N Custom Panel – SHVM63W53N	Bar Handle – SHXM63WS5N	Scoop Handle – SHS863WD_N Bar Handle – SHX863WD5N Custom Panel – SHV863WD3N

General Properties			
Number of wash cycles / options	5 / 4	5 / 4	5 / 5
dBA	44	44	44
Third rack	Standard 3rd rack	Standard 3rd rack	Standard 3rd rack
Rack adjustability	RackMatic®	RackMatic®	RackMatic®
Tub material	Stainless steel	Stainless steel	Stainless steel
Control type	Buttons	Touch control	Buttons
Concealed heating element	Yes	Yes	Yes
Leak protection system	24/7 AquaStop®	24/7 AquaStop®	24/7 AquaStop®
Water softener	No	Yes	No
Five-level wash	Yes	Yes	Yes
ChildLock	Recessed handle model only	No	No
InfoLight®	Scoop / bar handle and custom panel models only	Yes	Yes
Special features	Extra dry option, Speed60®	InfoLight®, water softener	InfoLight®, extra dry option
Efficiency and Capacity			
Water usage per cycle	3.5	3.5	3.5
Energy efficiency class	Tier 1	Tier 1	Tier 1
ENERGY STAR® qualified	Yes	Yes	Yes
Total annual energy / water consumption	269 kWh / 623.5 g	269 kWh / 623.5 g	269 kWh / 623.5 g
Number of place settings	16	16	16
Technical Data			
Watts (W)	1440 W	1440 W	1440 W
Current (A) / Volts (V) / Frequency (Hz)	12 A / 120 V / 60 Hz	12 A / 120 V / 60 Hz	12 A / 120 V / 60 Hz
Power cord length	N/A	N/A	N/A
Minimum water pressure (lb / sin)	14	14	14
Length outlet hose (in)	79"	79"	79"
Dimensions & Weight			
Overall appliance dimensions (HxWxD) (in)	33 7/8" x 23 9/16" x 23 3/4" (Custom panel D: 23 1/16")	33 7/8" x 23 9/16" x 23 3/4"	33 7/8" x 23 9/16" x 23 1/16"
Required cutout size (HxWxD) (in)	33 7/8" x 23 5/8" x 24"	33 7/8" x 23 5/8" x 24"	33 7/8" x 23 5/8" x 24"
Adjustable feet	Yes	Yes	Yes
Net weight (lbs)	91 / 91 / 91 / 88 lbs	95 lbs	91 / 88 lbs

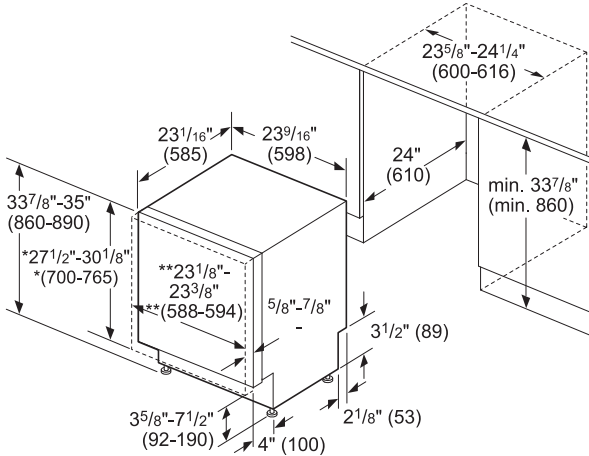
Optional Accessories							
SGZ9091UC Softener Salt (4.4 lbs)	SGZ1010UC Drain Hose Extension	SMZPC002UC Power Cord with Cold Plug	SMZ5000 Accessory Kit	SMZ4000UC Silverware Basket US Duo	SMZ5002UC Anti-Tarnish Silverware Cassette	SHZ1008UC Stainless Steel Door with Stainless Steel Straight Bosch Bar Handle	SMZ1007UC Stainless Steel Straight Bosch Bar Handle

300 Series / DLX Dishwashers

Dimensions and Cutout



Custom Panel – Dimensions and Cutout



* measured from the bottom edge of the countertop panel thickness recommended 3/4" (20 mm).

This dishwasher can accept custom door panel weights ranging from 7 to 24 lbs; however, the dishwasher comes from the factory ready for custom panel door weights from 11 to 18 lbs.

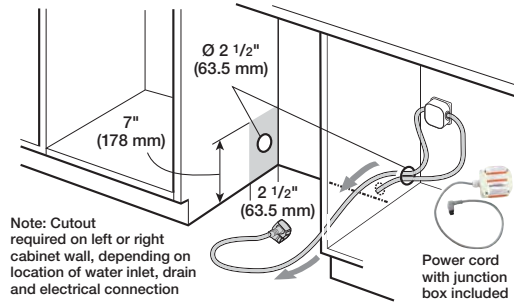
If you plan on using a door panel that is not 11 to 18 lbs.

please contact customer service at (800) 944-2904.

** 24" (610 mm) wide panel may be used depending on cabinet design

Note: Refer to installation template for mounting hardware locations measurements in inches (mm)

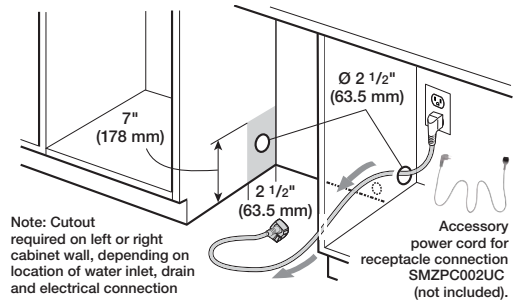
Example of Hardwire Installation



Note: Cutout required on left or right cabinet wall, depending on location of water inlet, drain and electrical connection

Power cord with junction box included

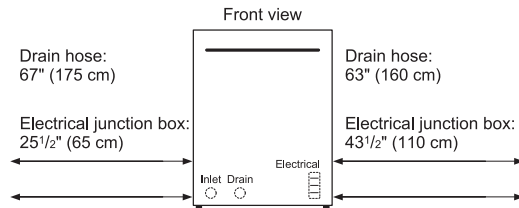
Example of Electrical Receptacle Installation



Note: Cutout required on left or right cabinet wall, depending on location of water inlet, drain and electrical connection

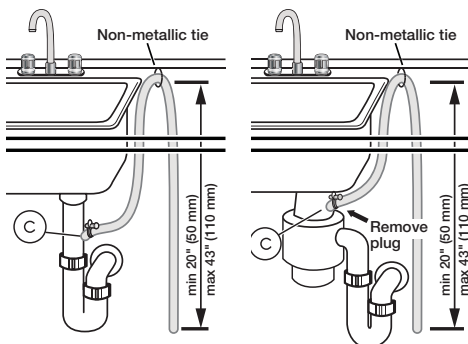
Accessory power cord for receptacle connection SMZPC002UC (not included).

Water and Electrical Locations



All connections are at the rear of the appliance. Extension for drain hose available as accessory. Power cord for connection to electrical outlet (3-prong plug) available as accessory.

Plumbing

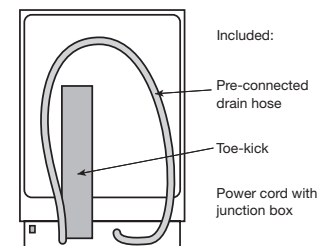


Note: Plumbing installations will vary - refer to local codes. Drain hose included is 79 (201 cm) and can be extended to a maximum of 155 3/4" (396 cm).

Always use the approved drain hose extension kit (SGZ1010UC).

Ensure a portion of the drain hose is raised between min. 20" (50 cm) and max. 43" (110 cm) above the cabinet floor.

Included Parts & Accessories



500 Series / DLX Dishwashers



- 500 Series**
- 44dBA
 - *SHPM65W5_N + Pocket Handle Design
 - SHXM65W55N + Flexible 3rd Rack
 - + EasyGlide™ Rack System Upper Rack



- 500 Series DLX**
- + ExtraScrub Option
 - *SHP865WD_N + DoubleFlex Silverware Basket

+ Indicates a step-up feature

* Multiple colors available. See color chips to fill in missing digit.

	500 Series	500 Series DLX
	Pocket Handle – SHPM65W5_N Bar Handle – SHXM65W55N	Pocket Handle – SHP865WD_N
General Properties		
Number of wash cycles / options	5 / 5	5 / 5
dBA	44	44
Third rack	Flexible 3rd rack	Flexible 3rd rack
Rack adjustability	RackMatic®	RackMatic®
Tub material	Stainless steel	Stainless steel
Control type	Buttons	Buttons
Concealed heating element	Yes	Yes
Leak protection system	24/7 AquaStop®	24/7 AquaStop®
Water softener	No	No
Five-level wash	Yes	Yes
ChildLock	No	No
TFT display	No	No
InfoLight®	Yes	Yes
Special features	InfoLight®, extra dry option	InfoLight®, extra dry option
Efficiency and Capacity		
Water usage per cycle	2.9	2.9
Energy efficiency class	Tier 1	Tier 1
ENERGY STAR® qualified	Yes	Yes
Total annual energy / water consumption	269 kWh / 623.5 g	269 kWh / 623.5 g
Number of place settings	16	16
Technical Data		
Watts (W)	1440 W	1440 W
Current (A) / Volts (V) / Frequency (Hz)	12 A / 120 V / 60 Hz	12 A / 120 V / 60 Hz
Power cord length	N/A	N/A
Minimum water pressure (lb / sin)	14	14
Length outlet hose (in)	79"	79"
Dimensions & Weight		
Overall appliance dimensions (HxWxD) (in)	33 7/8" x 23 9/16" x 23 3/4"	33 7/8" x 23 9/16" x 23 3/4"
Required cutout size (HxWxD) (in)	33 7/8" x 23 5/8" x 24"	33 7/8" x 23 5/8" x 24"
Adjustable feet	Yes	Yes
Net weight (lbs)	91 lbs	91 lbs

Optional Accessories

SGZ1010UC
Drain Hose Extension Kit

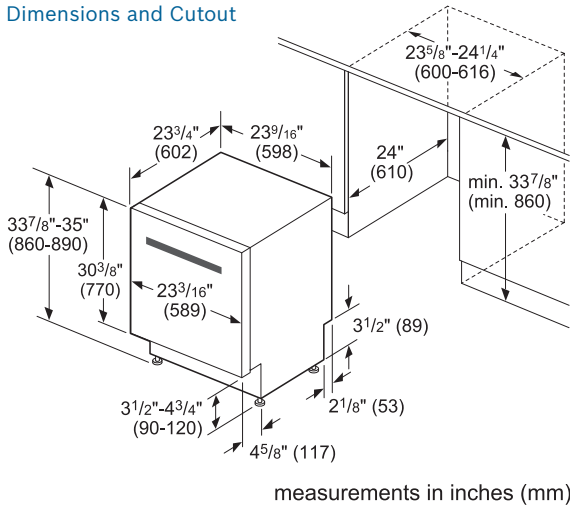
SMZPC002UC
Power Cord with Cold Plug

SMZ5000
Accessory Kit

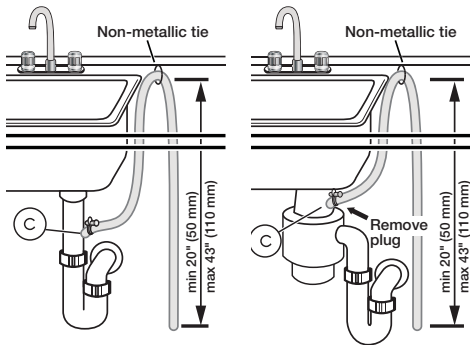
SMZ5002UC
Anti-Tarnish Silverware Cassette

500 Series / DLX Dishwashers

Dimensions and Cutout



Plumbing

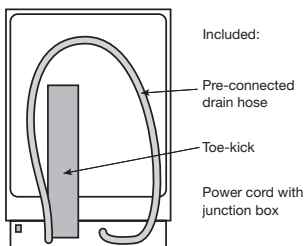


Note: Plumbing installations will vary - refer to local codes. Drain hose included is 79 (201 cm) and can be extended to a maximum of 155 3/4\" (396 cm).

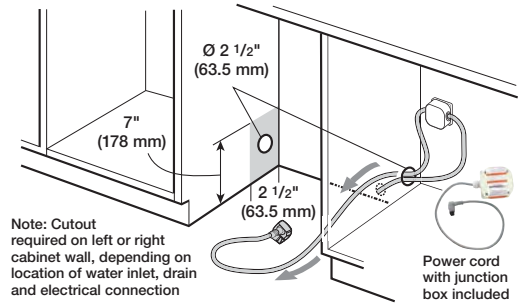
Always use the approved drain hose extension kit (SGZ1010UC).

Ensure a portion of the drain hose is raised between min. 20\" (50 cm) and max. 43\" (110 cm) above the cabinet floor.

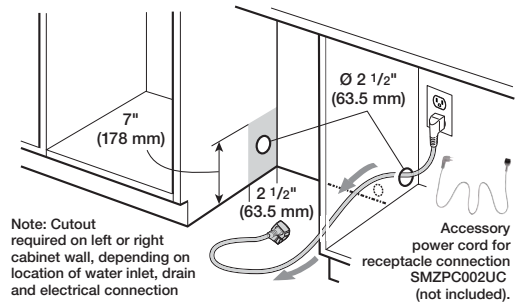
Included Parts & Accessories



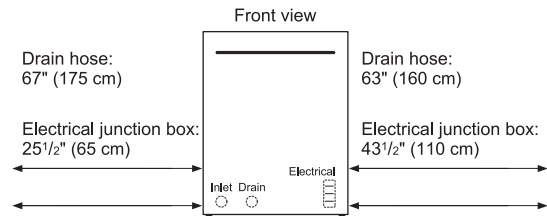
Example of Hardwire Installation



Example of Electrical Receptacle Installation



Water and Electrical Locations



All connections are at the rear of the appliance. Extension for drain hose available as accessory. Power cord for connection to electrical outlet (3-prong plug) available as accessory.

800 Series / DLX Dishwashers



5
2
6

800 Series +42 dBA
 *SHEM78W5_N +Touch Control
 *SHPM78W5_N Technology
 SHXM78W5_N +6 Cycles / 5 Options
 SHVM78W53N



5
2
6

800 Series DLX +ExtraScrub Option
 *SHE878WD_N +DoubleFlex
 *SHP878WD_N Silverware Basket
 *SHX878WD_N
 SHV878WD3N



800 Series Premium +39 dBA (Custom
 Panel Model is
 40 dBA)
 SHPM98W75N +MyWay™ Rack
 SHXM98W75N
 SHVM98W73N +6 Cycles / 6 Options

+ Indicates a step-up feature
 * Multiple colors available. See color chips to fill in missing digit.

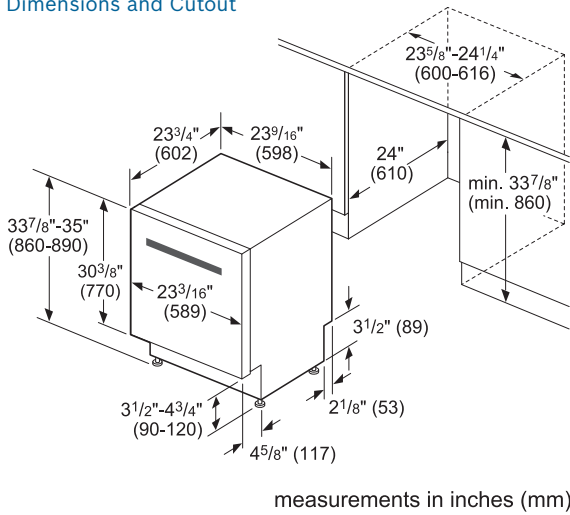
800 Series	800 Series DLX	800 Series Premium
Recessed Handle – SHEM78W5_N Pocket Handle – SHPM78W5_N Bar Handle – SHXM78W5_N Custom Panel – SHVM78W53N	Recessed Handle – SHE878WD_N Pocket Handle – SHP878WD_N Bar Handle – SHX878WD_N Custom Panel – SHV878WD3N	Pocket Handle – SHPM98W75N Bar Handle – SHXM98W75N Custom Panel – SHVM98W73N

General Properties			
Number of wash cycles / options	6 / 5	6 / 6	6 / 6
dBA	42	42	39 / 39 / 40
Third rack	Flexible 3rd rack	Flexible 3rd rack	MyWay™ Rack
Rack adjustability	RackMatic®	RackMatic®	RackMatic®
Tub material	Stainless steel	Stainless steel	Stainless steel
Control type	Touch control	Touch control	Touch control
Concealed heating element	Yes	Yes	Yes
Leak protection system	24/7 AquaStop®	24/7 AquaStop®	24/7 AquaStop®
Water softener	No	No	No
Five-level wash	Yes	Yes	Yes
ChildLock	Recessed handle model only	Recessed handle model only	No
InfoLight®	Pocket, bar handle and custom panel models only	Pocket, bar handle and custom panel models only	Yes
Special features	Extra dry option	InfoLight®, extra dry option	InfoLight®, extra dry option
Efficiency and Capacity			
Water usage per cycle	2.9	2.9	2.9
Energy efficiency class	Tier 1	Tier 1	Tier 1
ENERGY STAR® qualified	Yes	Yes	Yes
Total annual energy / water consumption	269 kWh / 623.5 g	269 kWh / 623.5 g	269 kWh / 623.5 g
Number of place settings	16	16	16
Technical Data			
Watts (W)	1440 W	1440 W	1440 W
Current (A) / Volts (V) / Frequency (Hz)	12 A / 120 V / 60 Hz	12 A / 120 V / 60 Hz	12 A / 120 V / 60 Hz
Power cord length	N/A	N/A	N/A
Minimum water pressure (lb / sin)	14	14	14
Length outlet hose (in)	79"	79"	79"
Dimensions & Weight			
Overall appliance dimensions (HxWxD) (in)	33 7/8" x 23 9/16" x 23 3/4" (Custom panel D: 23 1/16")	33 7/8" x 23 9/16" x 23 3/4" (Custom panel D: 23 1/16")	33 7/8" x 23 9/16" x 23 3/4" (Custom panel D: 23 1/16")
Required cutout size (HxWxD) (in)	33 7/8" x 23 5/8" x 24"	33 7/8" x 23 5/8" x 24"	33 7/8" x 23 5/8" x 24"
Adjustable feet	Yes	Yes	Yes
Net weight (lbs)	92 / 92 / 92 / 89 lbs	92 / 89 lbs	105 / 105 / 102 lbs

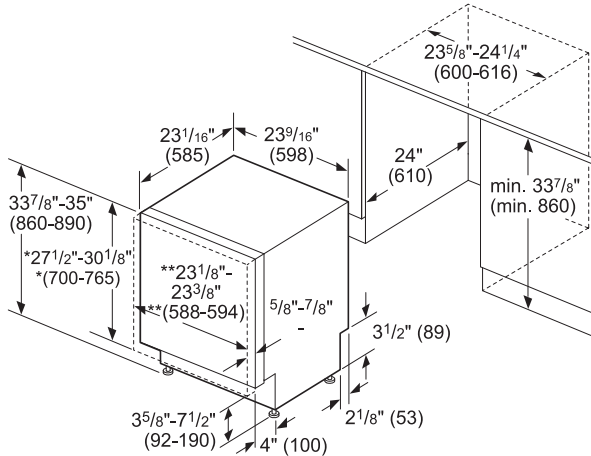
Optional Accessories						
SGZ1010UC Drain Hose Extension Kit	SMZPC002UC Power Cord with Cold Plug	SMZ5000 Accessory Kit	SGZ9091UC Softener Salt (4.4 lbs)	SMZ5002UC Anti-Tarnish Silverware Cassette	SMZ1007UC Stainless Steel Straight Bosch Bar Handle	SMZ4026 Silverware Insert for MyWay™ Rack

800 Series / DLX Dishwashers

Dimensions and Cutout



Custom Panel – Dimensions and Cutout



* measured from the bottom edge of the countertop panel thickness recommended 3/4" (20 mm).

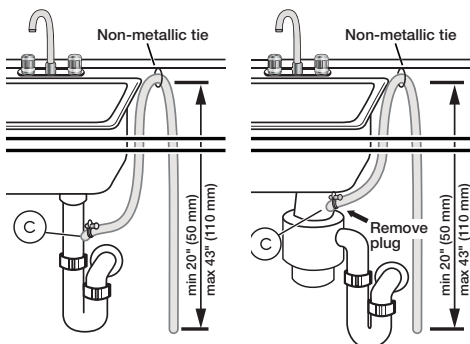
This dishwasher can accept custom door panel weights ranging from 7 to 24 lbs; however, the dishwasher comes from the factory ready for custom panel door weights from 11 to 18 lbs.

If you plan on using a door panel that is not 11 to 18 lbs. please contact customer service at (800) 944-2904.

** 24" (610 mm) wide panel may be used depending on cabinet design

Note: Refer to installation template for mounting hardware locations measurements in inches (mm)

Plumbing

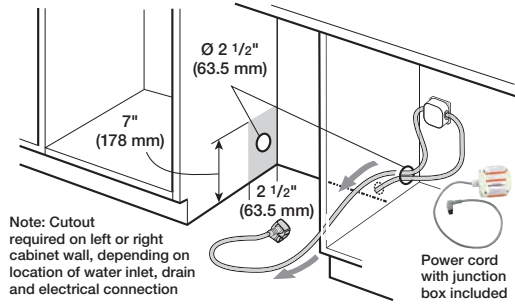


Note: Plumbing installations will vary - refer to local codes. Drain hose included is 79 (201 cm) and can be extended to a maximum of 155 3/4" (396 cm).

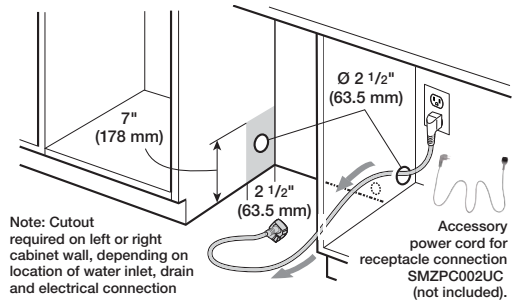
Always use the approved drain hose extension kit (SGZ1010UC).

Ensure a portion of the drain hose is raised between min. 20" (50 cm) and max. 43" (110 cm) above the cabinet floor.

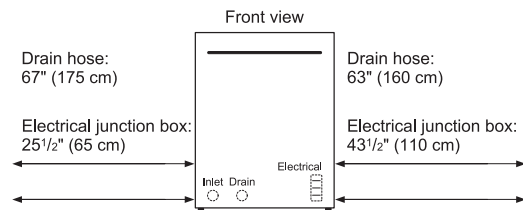
Example of Hardwire Installation



Example of Electrical Receptacle Installation

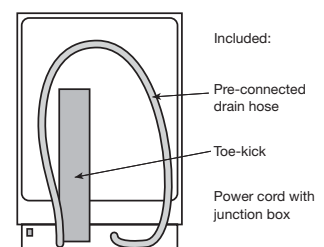


Water and Electrical Locations



All connections are at the rear of the appliance. Extension for drain hose available as accessory. Power cord for connection to electrical outlet (3-prong plug) available as accessory.

Included Parts & Accessories



800 Series Dishwasher



- 800 Series with Home Connect™ SHEM78WH5N
- 42 dBA
 - Flexible 3rd Rack
 - + Home Connect™
 - + Water Softener
 - + 24/7 AquaStop® Plus

+ Indicates a step-up feature

800 Series with Home Connect™	
Recessed Handle – SHEM78WH5N	
General Properties	
Number of wash cycles / options	8 / 7
dBA	42
Third rack	Flexible 3rd rack
Rack adjustability	RackMatic®
Tub material	Stainless steel
Control type	Touch control
Concealed heating element	Yes
Leak protection system	24/7 AquaStop® Plus
Water softener	Yes
Five-level wash	Yes
ChildLock	No
InfoLight®	No
Special features	Home Connect™ (WiFi enabled)
Efficiency and Capacity	
Water usage per cycle	2.9
Energy efficiency class	Tier 1
ENERGY STAR® qualified	Yes
Total annual energy / water consumption	239 kWh / 623.5 g
Number of place settings	16
Technical Data	
Watts (W)	1440 W
Current (A) / Volts (V) / Frequency (Hz)	12 A / 120 V / 60 Hz
Power cord length	N/A
Minimum water pressure (lb / sin)	7
Length outlet hose (in)	79"
Dimensions & Weight	
Overall appliance dimensions (HxWxD) (in)	34 1/8" x 23 9/16" x 22 7/16"
Required cutout size (HxWxD) (in)	34 1/8" x 24" x 24"
Adjustable feet	Yes
Net weight (lbs)	112.9 lbs

Optional Accessories

SGZ1010UC
Drain Hose
Extension Kit

SMZPC002UC
Power Cord with
Cold Plug

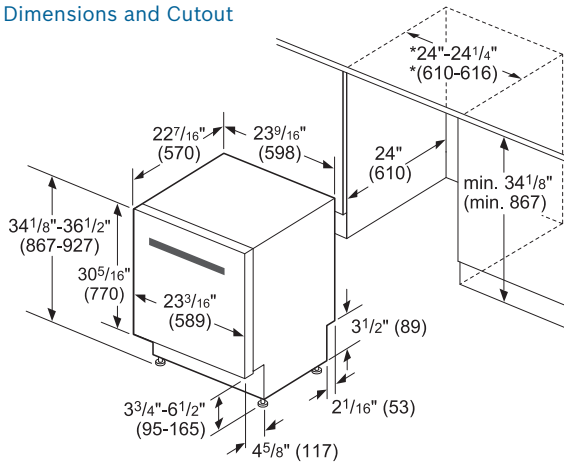
SMZ5000
Accessory Kit

SGZ9091UC
Softener Salt
(4.4 lbs)

SMZ5002UC
Anti-Tarnish Silverware
Cassette

800 Series Dishwasher

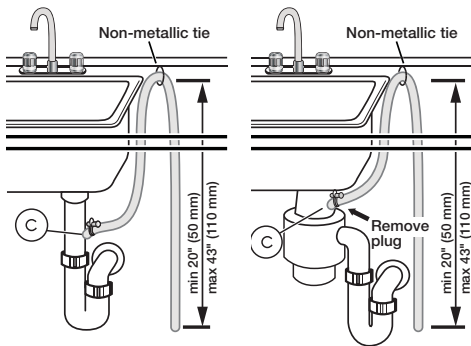
Dimensions and Cutout



*23 5/8" (600) without decor strips

measurements in inches (mm)

Plumbing

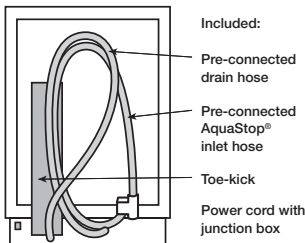


Note: Plumbing installations will vary - refer to local codes. Drain hose included is 88 5/8" (225 cm) and can be extended to a maximum of 165 3/8" (420 cm).

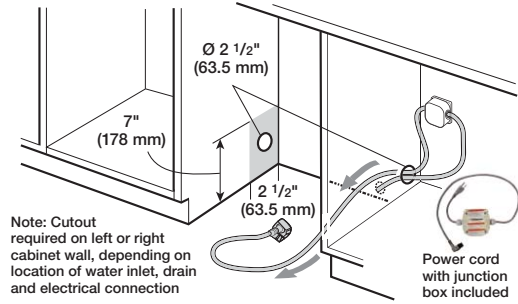
Always use the approved drain hose extension kit (SGZ1010UC).

Ensure a portion of the drain hose is raised between min. 20" (50 cm) and max. 43" (110 cm) above the cabinet floor.

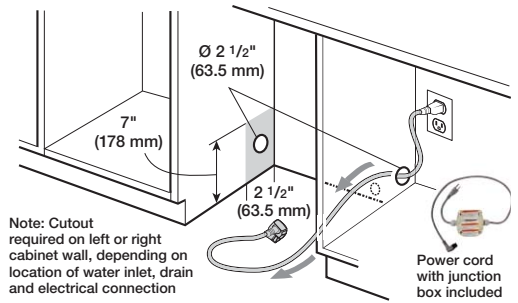
Included Parts & Accessories



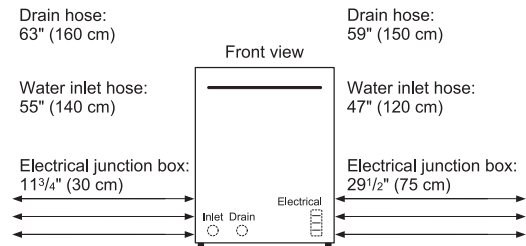
Example of Hardwire Installation



Example of Electrical Receptacle Installation



Water and Electrical Locations



All connections are at the rear of the appliance. Extension for drain hose available as accessory. Power cord for connection to electrical outlet (3-prong plug) available as accessory.

18-Inch ADA Special Application Dishwashers



- 18-Inch ADA 300 Series**
- 46 dBA
 - 4 Cycles / 4 Options
 - *SPE53U5_UC • Water Softener
 - 24/7 AquaStop® Plus
 - Delay Start Timer

- 18-Inch ADA 800 Series**
- +44 dBA
 - +6 Cycles / 5 Options
 - SPE68U55UC • Standard 3rd Rack
 - SPX68U55UC + Eco Cycle
 - SPV68U53UC

+ Indicates a step-up feature
 * Multiple colors available. See color chips to fill in missing digit.

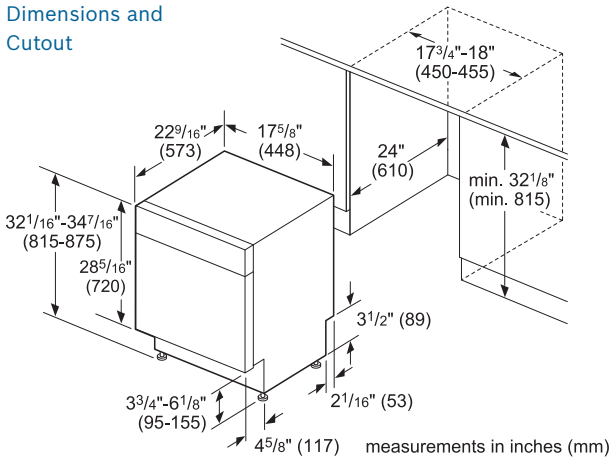
18-Inch ADA 300 Series	18-Inch ADA 800 Series
Recessed Handle – SPE53U5_UC	Recessed Handle – SPE68U55UC Bar Handle – SPX68U55UC Custom Panel – SPV68U53UC

General Properties		
Number of wash cycles / options	4 / 4	6 / 5
dBA	46	44
Third rack	No	Standard 3rd Rack
Rack adjustability	RackMatic®	RackMatic®
Tub material	Stainless steel	Stainless steel
Control type	Buttons	Buttons
Concealed heating element	Yes	Yes
Leak protection system	24/7 AquaStop® Plus	24/7 AquaStop® Plus
Water softener	Yes	Yes
Five-level wash	Yes	Yes
ChildLock	Yes	Recessed handle model only
InfoLight®	No	Bar handle / custom panel only
Special features	24h Delay start timer	InfoLight®, Eco Cycle
Efficiency and Capacity		
Water usage per cycle	3.0	3.0
Energy efficiency class	Tier 1	Tier 1
ENERGY STAR® qualified	Yes	Yes
Total annual energy / water consumption	259 kWh / 645 g	259 kWh / 645 g
Number of place settings	9	10
Technical Data		
Watts (W)	1300 W	1300 W
Current (A) / Volts (V) / Frequency (Hz)	12 A / 120 V / 60 Hz	12 A / 120 V / 60 Hz
Power cord length	68 7/8"	68 7/8"
Minimum water pressure (lb / sin)	7	7
Length outlet hose (in)	65" / 80 5/8"	65" / 80 5/8"
Dimensions & Weight		
ADA Compliant	Yes	Yes
Overall appliance dimensions (HxWxD) (in)	32 1/16" x 17 5/8" x 22 9/16"	Recessed handle: 32 1/16" x 17 5/8" x 22 9/16" (Bar handle D: 22 7/16", Custom panel D: 21 5/8")
Required cutout size (HxWxD) (in)	32 1/8" x 17 3/4" x 24"	32 1/8" x 17 3/4" x 24" (Custom panel D: 22 7/16")
Adjustable feet	Yes	Yes
Net weight (lbs)	72 lbs	76 / 79 / 75 lbs

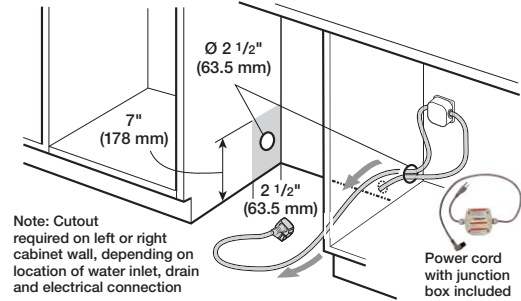
Optional Accessories			
SGZ9091UC Softener Salt (4.4 lbs)	SGZ1010UC Drain Hose Extension 76 3/4"	SMZ5000 Accessory Kit	SMZ5003 Hinge for 4" Toekick Height Installation

18-Inch ADA Special Application Dishwashers

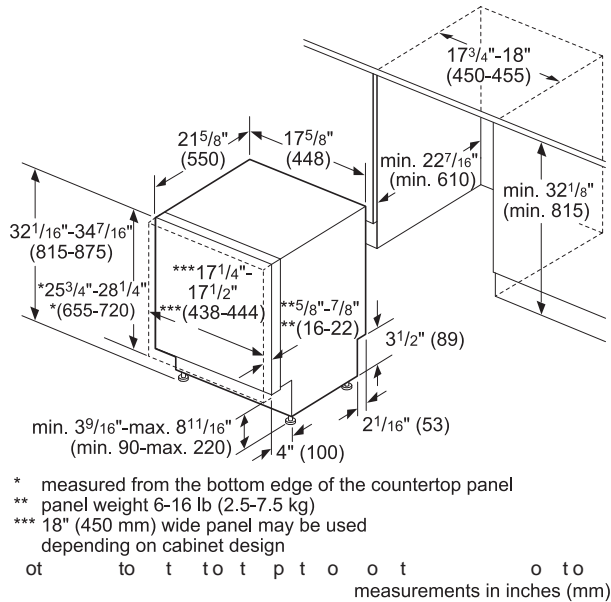
Dimensions and Cutout



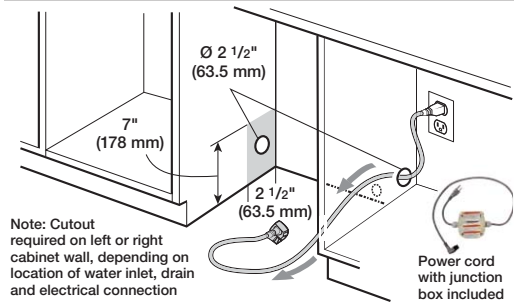
Example of Hardwire Installation



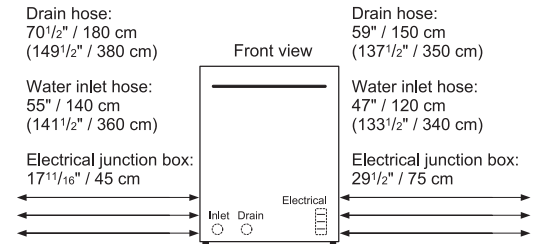
Custom Panel – Dimensions and Cutout



Example of Electrical Receptacle Installation

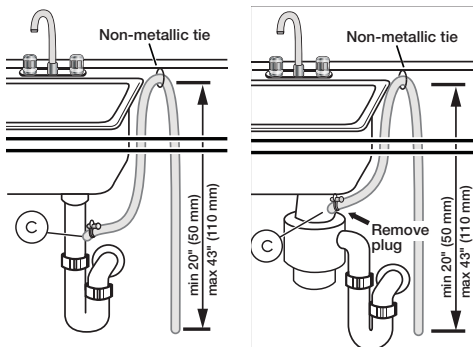


Water and Electrical Locations



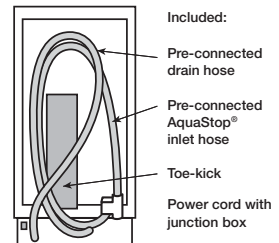
All connections at the rear of the appliance.
() values with extension kit.

Plumbing



Note: Plumbing installations will vary - refer to local codes. Drain hose included is 88 5/8" (225 cm) and can be extended to a maximum of 165 3/8" (420 cm). Always use the approved drain hose extension kit (SGZ1010UC). Ensure a portion of the drain hose is raised between min. 20" (50 cm) and max. 43" (110 cm) above the cabinet floor.

Included Parts & Accessories



24-Inch ADA Special Application Dishwashers



- 24-Inch ADA 300 Series
 *SGE53U5_UC
- 46 dBA
 - 4 Cycles / 4 Options
 - Water Softener
 - 24/7 AquaStop® Plus
 - Delay Start Timer



- 24-Inch ADA 800 Series
 SGE68U55UC
 SGX68U55UC
 SGV68U53UC
- + 44 dBA
 - + 6 Cycles / 5 Options
 - + Standard 3rd Rack
 - + Eco Cycle

- + Indicates a step-up feature
- * Multiple colors available. See color chips to fill in missing digit.

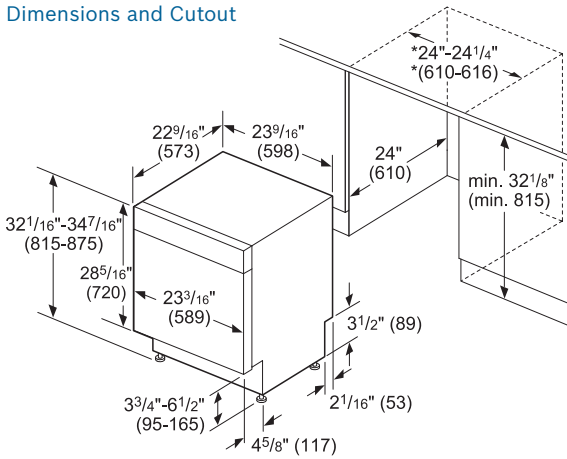
24-Inch ADA 300 Series	24-Inch ADA 800 Series
Recessed Handle – SGE53U5_UC	Recessed Handle – SGE68U55UC Bar Handle – SGX68U55UC Custom Panel – SGV68U53UC

General Properties		
Number of wash cycles / options	4 / 4	6 / 5
dBA	46	44
Third rack	No	Standard 3rd Rack
Rack adjustability	RackMatic®	RackMatic®
Tub material	Stainless steel	Stainless steel
Control type	Buttons	Buttons
Concealed heating element	Yes	Yes
Leak protection system	24/7 AquaStop® Plus	24/7 AquaStop® Plus
Water softener	Yes	Yes
Five-level wash	Yes	Yes
ChildLock	Yes	Recessed handle model only
InfoLight®	No	Bar handle / custom panel only
Special features	24h Delay start timer	Eco Cycle
Efficiency and Capacity		
Water usage per cycle	3.0	3.0
Energy efficiency class	Tier 1	Tier 1
ENERGY STAR® qualified	Yes	Yes
Total annual energy / water consumption	259 kWh / 645 g	259 kWh / 645 g
Number of place settings	14	15
Technical Data		
Watts (W)	1300 W	1300 W
Current (A) / Volts (V) / Frequency (Hz)	12 A / 120 V / 60 Hz	12 A / 120 V / 60 Hz
Power cord length	68 7/8"	68 7/8"
Minimum water pressure (lb / sin)	7	7
Length outlet hose (in)	65" / 74 7/8"	65" / 74 7/8"
Dimensions & Weight		
ADA compliant	Yes	Yes
Overall appliance dimensions (HxWxD) (in)	32 1/16" x 23 9/16" x 22 9/16"	32 1/16" x 23 9/16" x 22 9/16" (Custom panel D: 21 5/8")
Required cutout size (HxWxD) (in)	32 1/8" x 24" x 24"	32 1/8" x 24" x 24"
Adjustable feet	Yes	Yes
Net weight (lbs)	84 lbs	89 / 92 / 87 lbs

Optional Accessories			
SGZ9091UC Softener Salt (4.4 lbs)	SGZ1010UC Drain Hose Extension 76 3/4"	SMZ5000 Accessory Kit	SMZ5002UC Anti-tarnish Silverware Cassette

24-Inch ADA Special Application Dishwashers

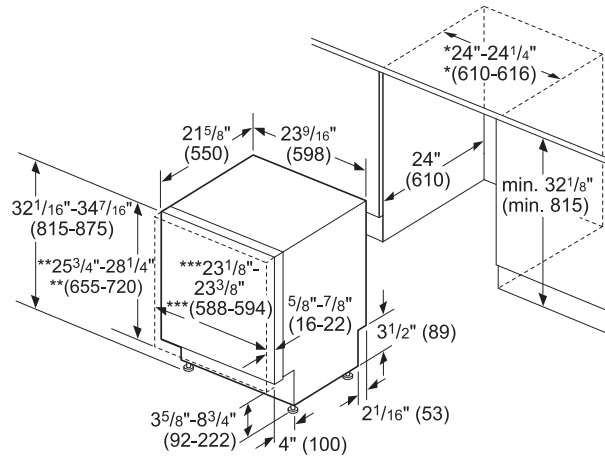
Dimensions and Cutout



* 23⁵/₈" (600) without decor strips

measurements in inches (mm)

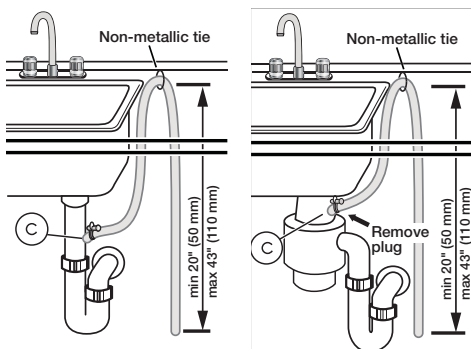
Custom Panel – Dimensions and Cutout



* 23⁵/₈" (600 mm) without decor strips
 ** measured from the bottom edge of the countertop panel thickness recommended 3³/₄" (20 mm), panel weight 6-18 lbs (2.5-8.5 kg)
 *** 24" (610 mm) wide panel may be used depending on cabinet design

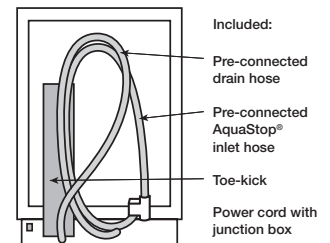
measurements in inches (mm)

Plumbing

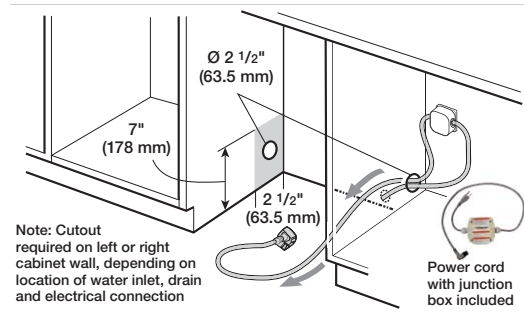


Note: Plumbing installations will vary - refer to local codes. Drain hose included is 88 5/8" (225 cm) and can be extended to a maximum of 165 3/8" (420 cm). Always use the approved drain hose extension kit (SGZ1010UC). Ensure a portion of the drain hose is raised between min. 20" (50 cm) and max. 43" (110 cm) above the cabinet floor.

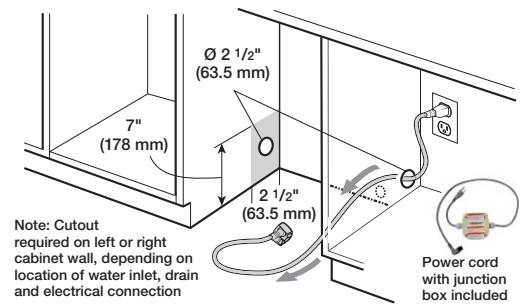
Included Parts & Accessories



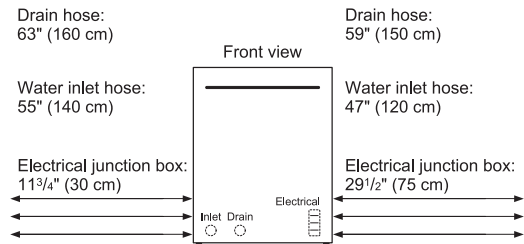
Example of Hardwire Installation



Example of Electrical Receptacle Installation



Water and Electrical Locations



All connections are at the rear of the appliance. Extension for drain hose available as accessory. Power cord for connection to electrical outlet (3-prong plug) available as accessory.

Refrigerators

Healthy living starts with consuming fresh ingredients, and our Bosch refrigerators are designed to keep foods at their optimal freshness, maintaining their intended nutrients and flavor. Bosch refrigerators feature VitaFresh® to preserve your favorite foods, by keeping fruits and vegetables fresher longer. Bosch refrigerators blend peacefully into any kitchen space and install as flush, counter or standard depths. Thoughtful features like premium tempered glass, hidden hinges and crisp LED lighting reveal a tangible level of quality enjoyed with everyday use.





Benchmark® Refrigerators



Beautiful flush design

The Bosch built-in refrigerator offers the ultimate integrated look for your kitchen. The unique Optiflex® hinge design allows for flush installation, for a true European-style integration with your kitchen cabinets.



Custom panel

Bosch offers custom panel refrigeration units, enabling each unit to seamlessly blend in with the kitchen cabinetry.



Flexible configurations

Bosch built-in refrigerators are designed to give you ultimate flexibility when designing your kitchen. Install a 36" French-Door Bottom Freezer unit or combine refrigerator and freezer columns for a larger 48" unit or an extra-large 60" double-fridge or fridge-freezer unit.



Dual compressors & evaporators

Bosch built-in refrigerators feature a separate compressor and evaporator in the refrigerator and freezer sections, optimizing freshness. Not only does it provide more accurate temperature and humidity control, it also helps to prevent freezer burn and odor transfer.



ENERGY STAR® qualified

Our energy efficient Benchmark® refrigerators are designed to use less energy without sacrificing features.





Benchmark® Built-in Single Door Refrigerators



Benchmark®
B30IR800SP
30" Built-in Custom Panel Single Door Refrigerator

- 29 3/4" x 84"
- Custom Panel Ready
- Installs Either Completely Flush or Framed
- LED Sidewall and Theater Lighting
- Optiflex® Hinge



Benchmark®
B18IF800SP
18" Built-in Custom Panel Single Door Freezer

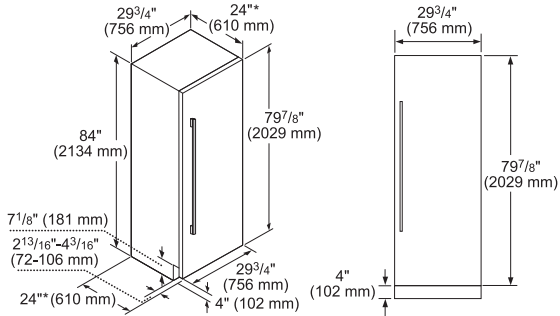
- 17 3/4" x 84"
- Custom Panel Ready
- Installs Either Completely Flush or Framed
- All-LED Sidewall and Theater Lighting
- Optiflex® Hinge



	30" Single Door Refrigerator	18" Single Door Freezer
	Custom Panel – B30IR800SP	Custom Panel – B18IF800SP
General Properties		
Reversible door hinge	Yes	Yes
Water filter	No	Yes
Lighting	LED sidewall and theater lighting	All-LED sidewall and theater lighting
Defrost process	Frost-free	Automatic
Number of shelves	7	6
Number of drawers	3	2
Shelf material	Glass w/metal trim	Glass w/metal trim, metal bin
Type of shelves	3 adjustable, 4 full width	2 adjustable, 4 full width
Gallon storage bins	Yes	N/A
Humidity control drawer	Yes	N/A
Ice maker	No	Yes
Quick ice	No	Yes
Capacity		
Total unit gross capacity (cu. ft.) – AHAM	17.2 cu. ft.	8.6 cu. ft.
Technical Details		
Watts (W)	180 W	367 W
Current (A)	15 A	15 A
Volts (V)	120 V	120 V
Frequency (Hz)	60 Hz	60 Hz
Power cord length (in.)	78 3/4"	78 3/4"
Plug type	3-Prong	3-Prong
Dimensions & Weight		
Appliance dimensions (HxWxD) (in.)	84" x 29 3/4" x 24 3/4"	84" x 17 3/4" x 24 3/4"
Required cutout size (HxWxD) (in.)	84" x 30" x 24 3/4" or 25"	84" x 18" x 24 3/4" or 25"
Net weight (lbs)	261 lbs	332 lbs
Efficiency		
ENERGY STAR® qualified	Yes	Yes
Energy consumption (kWh / yr)	310 kWh	443 kWh

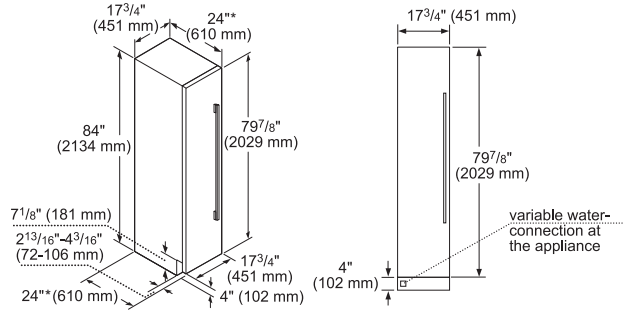
Benchmark® Built-in Single Door Refrigerators

B30IR800SP Dimensions



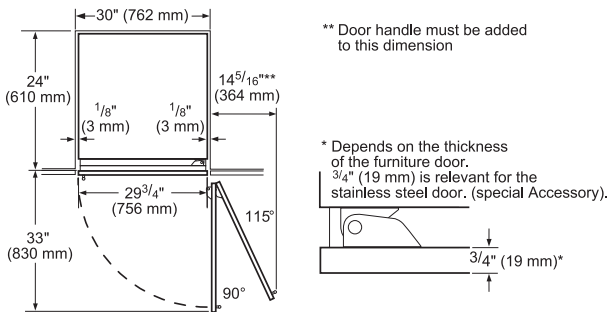
*Excludes thickness of door panel. If standard panel with 3/4" thickness is mounted, total depth is 24 3/4".

B18IF800SP Dimensions

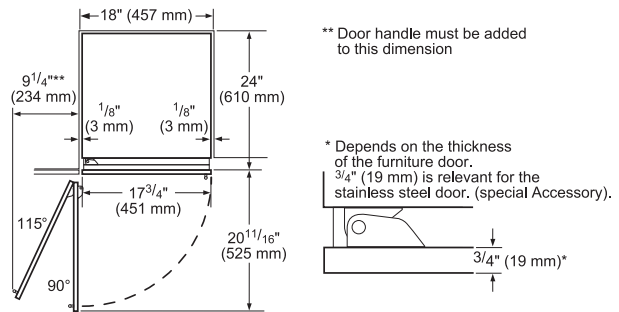


*Excludes thickness of door panel. If standard panel with 3/4" thickness is mounted, total depth is 24 3/4".

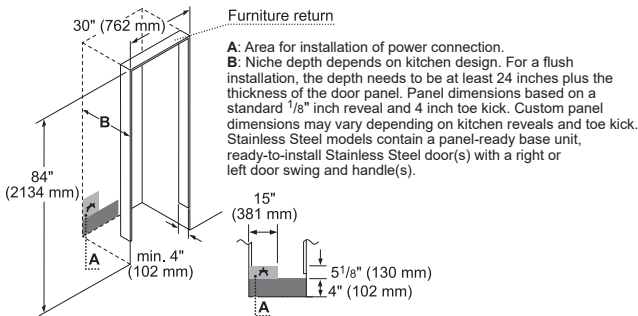
B30IR800SP Dimensions (Overhead View)



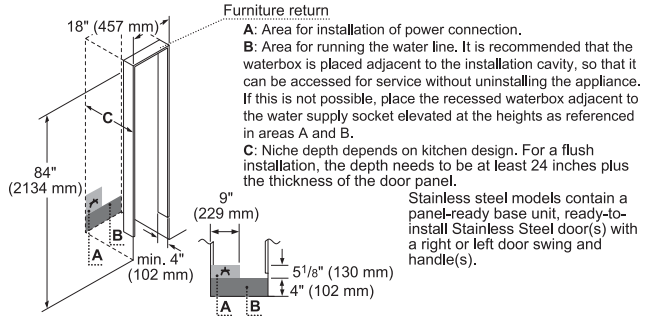
B18IF800SP Dimensions (Overhead View)



B30IR800SP Installation



B18IF800SP Installation



Benchmark® Built-in Bottom Freezer Refrigerators



Benchmark®
B30BB830SS Flat Stainless Panel
Bottom Freezer

- 29 3/4" x 84" Flat Stainless Panel
- Flush Installation
- Dual Compressor and Dual Evaporator
- Sidewall LED Lighting



Benchmark®
B30IB800SP Custom Panel
Bottom Freezer

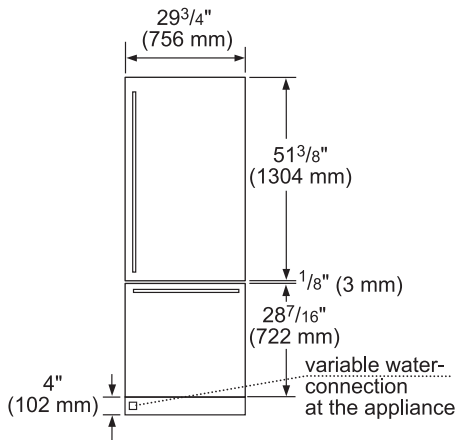
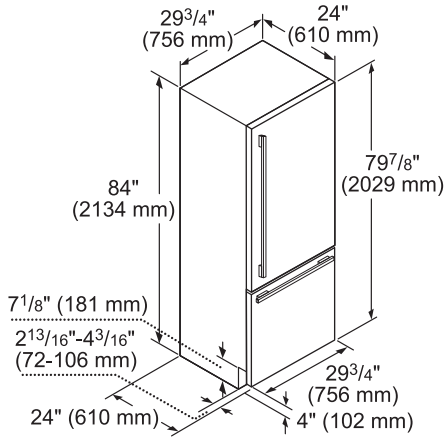
- 29 3/4" x 84"
- Custom Panel Ready
- Dual Compressor and Dual Evaporator
- Sidewall LED Lighting



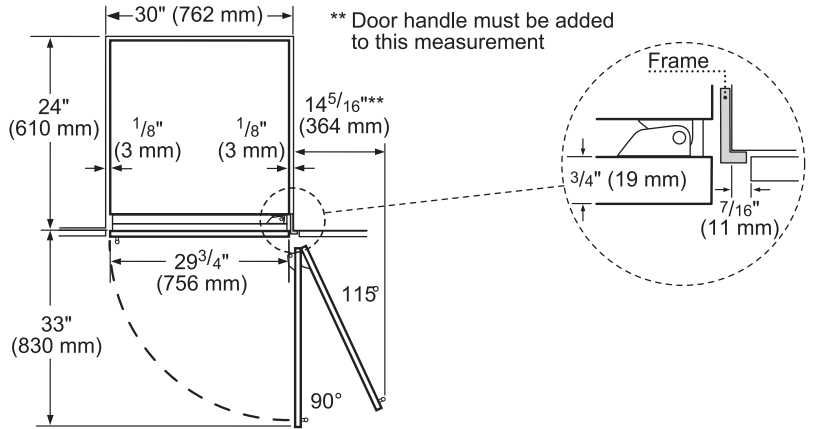
	30" Flat Stainless Panel	30" Custom Panel
	Stainless Steel – B30BB830SS	Custom Panel – B30IB800SP
General Properties		
Reversible door hinge	Yes	Yes
Water filter	Yes	Yes
Lighting	LED side wall theater	LED side wall theater
Defrost process refrigerator section	Frost-free	Frost-free
Number of shelves – refrigerator	3	3
Adjustable shelves – refrigerator	2	2
Shelf material – refrigerator	Glass w/metal trim	Glass w/metal trim
Type of shelves – refrigerator	Full width	Full width
Gallon storage bins	1	1
Humidity control drawer	Yes – 1	Yes – 1
Defrost process freezer section	Automatic	Automatic
Number of drawers – freezer	2	2
Shelf material – freezer	Stainless steel	Stainless steel
Ice maker	Yes	Yes
Quick ice	No	No
Capacity		
Total unit gross capacity (cu. ft.) – AHAM	16 cu. ft.	16 cu. ft.
Refrigerator gross capacity (cu. ft.)	11.2 cu. ft.	11.2 cu. ft.
Freezer gross capacity (cu. ft.)	4.8 cu. ft.	4.8 cu. ft.
Technical Details		
Watts (W)	588 W	588 W
Current (A)	15 A	15 A
Volts (V)	120 V	120 V
Frequency (Hz)	60 Hz	60 Hz
Power cord length (in.)	78 3/4"	78 3/4"
Plug type	120V – 3 prong	120V – 3 prong
Dimensions & Weight		
Appliance dimensions (HxWxD) (in.)	84" x 29 3/4" x 24"	84" x 29 3/4" x 24"
Required cutout size (HxWxD) (in.)	84" x 30" x 25"	84" x 30" x 25"
Net weight (lbs)	439 lbs	439 lbs
Efficiency		
ENERGY STAR® qualified	Yes	Yes
Energy consumption (kWh / yr)	546 kWh	546 kWh

Benchmark® Built-in Bottom Freezer Refrigerators

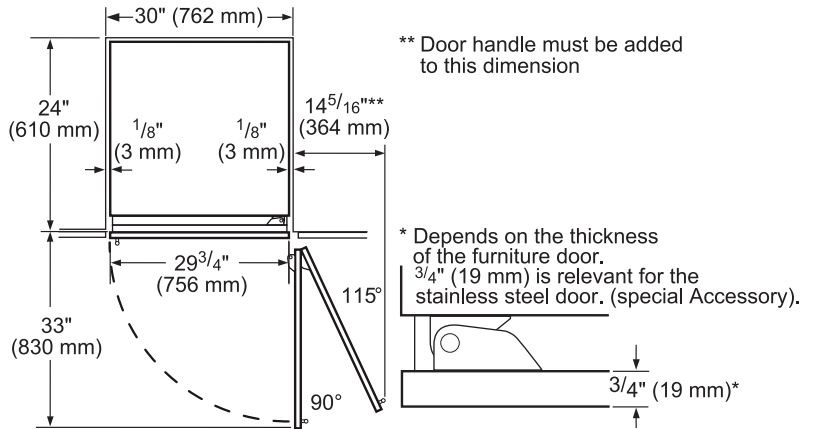
30" Built-in Bottom Freezer Dimensions



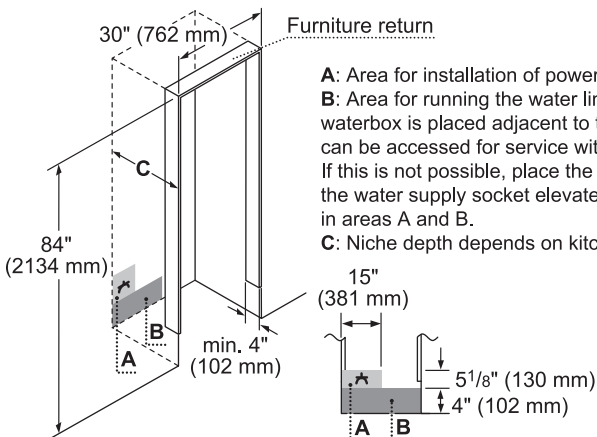
B30BB830SS Dimensions (Overhead View)



B30IB800SP Dimensions (Overhead View)



30" Built-in Bottom Freezer Installation



Benchmark® Built-in French Door Refrigerators



Benchmark®
B36BT830NS
French Door

- 35 3/4" x 84"
- Flat Stainless Panel
- Flush Installation
- Dual Compressor and Dual Evaporator
- Sidewall LED Lighting



Benchmark®
B36IT800NP
French Door

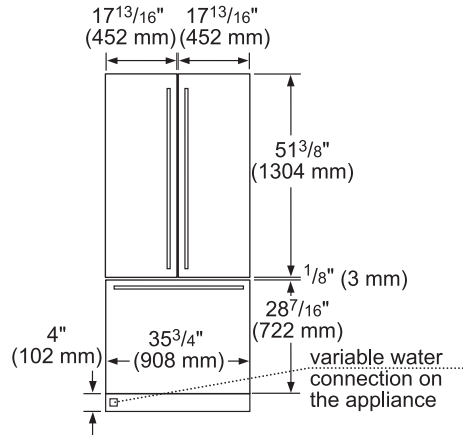
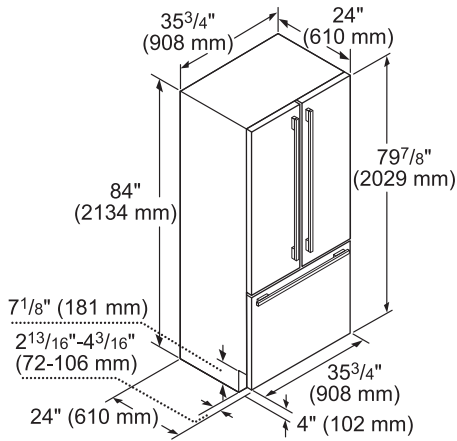
- 35 3/4" x 84"
- Custom Panel Ready
- Dual Compressor and Dual Evaporator
- Sidewall LED Lighting



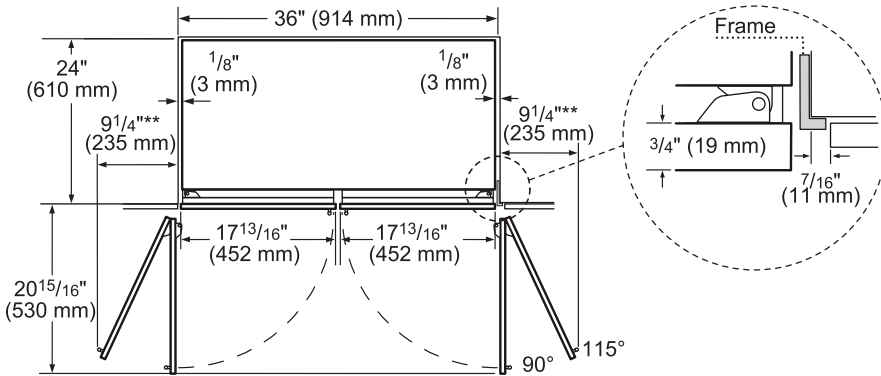
	36" Flat Stainless Panel	36" Custom Panel
	Stainless Steel – B36BT830NS	Custom Panel – B36IT800NP
General Properties		
Water filter	Yes	Yes
Lighting	LED side wall theater	LED side wall theater
Defrost process refrigerator section	Frost-free	Frost-free
Number of shelves – refrigerator	3	3
Adjustable shelves – refrigerator	2	2
Shelf material – refrigerator	Glass w/metal trim	Glass w/metal trim
Type of shelves – refrigerator	Full width	Full width
Gallon storage bins	2	2
Humidity control drawer	Yes – 1	Yes – 1
Defrost process freezer section	Automatic	Automatic
Number of drawers – freezer	2	2
Ice maker	Yes	Yes
Quick ice	No	No
Capacity		
Total unit gross capacity (cu. ft.) – AHAM	19.5 cu. ft.	19.5 cu. ft.
Refrigerator gross capacity (cu. ft.)	13.8 cu. ft.	13.8 cu. ft.
Freezer gross capacity (cu. ft.)	5.7 cu. ft.	5.7 cu. ft.
Technical Details		
Watts (W)	588 W	588 W
Current (A)	15 A	15 A
Volts (V)	120 V	120 V
Frequency (Hz)	60 Hz	60 Hz
Power cord length (in.)	78 3/4"	78 3/4"
Plug type	120V – 3 prong	120V – 3 prong
Dimensions & Weight		
Appliance dimensions (HxWxD) (in.)	84" x 35 3/4" x 24"	84" x 35 3/4" x 24"
Required cutout size (HxWxD) (in.)	84" x 36" x 25"	84" x 36" x 25"
Net weight (lbs)	540 lbs	529 lbs
Efficiency		
ENERGY STAR® qualified	Yes	Yes
Energy consumption (kWh / yr)	590 kWh	590 kWh

Benchmark® Built-in French Door Refrigerators

Dimensions

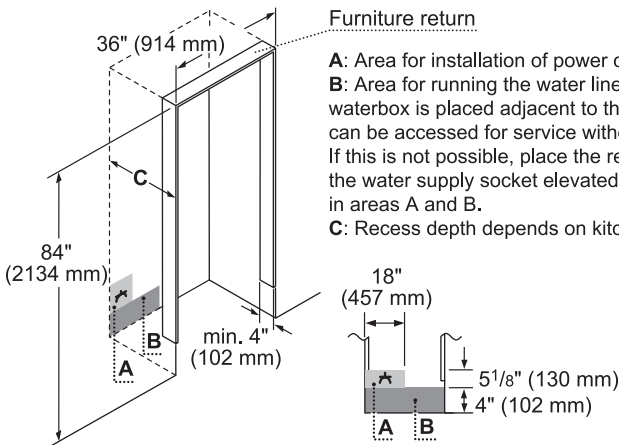


Dimensions (Overhead View)



** Door handle must be added to this measurement.

Installation



- A:** Area for installation of power connection.
- B:** Area for running the water line. It is recommended that the waterbox is placed adjacent to the installation cavity, so that it can be accessed for service without uninstalling the appliance. If this is not possible, place the recessed waterbox adjacent to the water supply socket elevated at the heights as referenced in areas A and B.
- C:** Recess depth depends on kitchen design.

Planning Checklist

Benchmark® Built-in Refrigeration

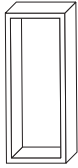



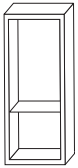
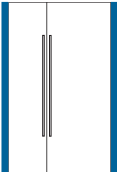
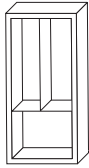
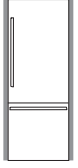
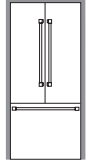


This custom product requires attention to the finest details. Did you remember to...?

- Choose a desired configuration – side-by-side or stand-alone columns (See page 186 for details)
- Plan the cutout height(s) – 84" (See pages 177, 179 and 181 for details)
- Plan the cutout width(s) – depends on configuration and column width (See pages 177, 179, 181 and 188 for details)
- Plan the cutout depth – 25" for North American style cabinets, 24" with installation frame accessory, 24" for European style cabinets (See page 189 for details)
- Ensure the cutout interior (top and sides) is flush to the appliance at a depth of min. 4", preferably 6" from face frame (See pages 177, 179, 181 and 189–190 for details)
- Ensure the cutout interior returns (top and sides) are finished to match exterior at a depth of min. 4", preferably 6" from face frame (See pages 177, 179, 181 and 189–190 for details)
- Ensure proper clearance for appliance doors including handle(s) – check for interference with other appliances, open or closed cabinets and doors, nearby walls (See page 188 for details)
- Properly site the electrical outlet and (if applicable) water box (See page 187 for details)
- Ensure the reverse of any custom panel is finished to match the exterior
- Choose the toekick style – stainless (included with appliance) or design custom toekick(s) (See page 191 for details)
- Procure the proper installation accessories – stainless steel frame kit (FRAMKITB80) for framed installations in 24-inch deep cutouts, heater kit (HEATKITB80) for installations where two appliances are installed side-by-side or instances where any appliances are installed less than 6" apart from another but not connected. The heater kit is also recommended for use with any installation in areas that are subject to humidity, or located next to an outside wall. (See page 184 for details)
- If applicable, procure the proper water filter accessories – additional replacement filters, filter by-pass for in-home water filtration system (See page 184 for details)

Build Your Custom Column

Benchmark® Built-in Refrigeration

1 Choose Unit			2 Choose Panel			3 Choose Handle and Accessories (Units install either completely flush or framed with optional kit)		
Single Door Refrigerator								
30"		B30IR800SP Reversible Swing Custom Column		BFL30IR800 Flat Stainless Steel	00684212 36" handle, coordinates with Bosch appliances. Choose one handle for each single door unit. (Must be ordered from Service) FRAMKITB80 This accessory enables installation in 24-inch deep cutouts. Kit includes two identical and reversible vertical frames.			
Single Door Freezer								
18"		B18IF800SP Reversible Swing Internal Ice Maker Custom Column		BFL18IF800 Flat Panel Stainless Steel Custom Panel Ready	HEATKITB80 When two single door units are installed side-by-side, this sealing kit must be used. This kit is also recommended in installations that are subject to extreme humidity.			
Bottom Freezer and French Door								
30"		B30IB800SP 2-Door Custom Column	Custom Panel Ready		Bosch handles are included 			
36"		B36IT800NP French Door Custom Column	Custom Panel Ready		FRAMKITB80 This accessory enables installation in 24-inch deep cutouts. Kit includes two identical and reversible vertical frames.			
Pre-Assembled Bottom Freezer and French Door								
30"		B30BB830SS 2-Door Flat Stainless Steel Panels Bosch Handles Removable Frame	Flat Stainless Steel Panels are included		Bosch handles are included A frame is attached to all pre-assembled models. It is removable if a flush installation in a 25" deep cabinet is desired.			
36"		B36BT830NS French Door Flat Stainless Steel Panels Bosch Handles Removable Frame	Flat Stainless Steel Panels are included					

IMPORTANT: Use a sealing kit when connecting refrigerator and freezer columns side-by-side (included with every freezer column). Use HEATKITB80 for all non-traditional side-by-side combinations, installations where columns are not connected but less than six inches (152 mm) from one another and for any installation in areas subject to excessive humidity. See page 184 for details.

Optional Accessories and Installation Considerations

Benchmark® Built-in Refrigeration

Flat Stainless Steel Door Panels



Single Door Refrigerator

BFL30IR800 (For Model B30IR800SP)
30-Inch

Single Door Freezer

BFL18IF800 (For Model B18IF800SP)
18-Inch

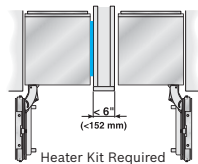
Installation Accessories

FRAMKITB80 Frame Kit



Included with all pre-assembled bottom freezers, this adjustable frame is also available as an optional accessory for use with any custom column for installation in 24-inch (610 mm) deep cutouts. The kit includes two identical and reversible metal side trims whose placement between the interior cutout wall and the appliance helps overcome the challenge of unfinished cabinet returns.

HEATKITB80 Heater Kit



When two appliances are installed side-by-side a sealing kit must be used. For combinations that involve a freezer column, this kit is provided. For all other (non-traditional, i.e. two bottom freezers) side-by-

side combinations or instances where any appliances are installed less than 6" (152 mm) apart from one another but not connected side-by-side, purchase this kit. This kit is also recommended for use with any installation in areas that are subject to extreme humidity.

Filter Accessories

BORPLFTR10 Water Filter

Replacement water filter for use in all freezer and bottom freezer models.

SCRNFLTR10 Filter By-Pass

Filter by-pass for use with existing in-home water filtration systems. For all freezer and bottom freezer models.

Handles



B36HNDL800 36-Inch Handle

Coordinates with Bosch appliances. Choose one handle for each single door unit. (Must be ordered from Service)

Location

The appliance should be installed in a dry, ventilated room. It may not be installed outdoors. The ambient temperature of the room must be between 55°F (13°C) and 100°F (43°C).

The appliance should not be exposed to constant direct sunlight or excessive heat. If installation next to a heat source, such as an oven, radiator, etc. is unavoidable, use a suitable insulating plate or observe the following minimum distances from the heat source:

- 1 1/4" (30 mm) from an electric cooking appliance,
- 11 13/16" (300 mm) from an oil or solid-fuel cooking appliance.

Installation And Cutout Dimensions

Please see pages 177, 179, 181 and 188-193 for complete cutout planning information.

It is important to observe the specified dimensions of the installation cutout for a trouble-free installation of the appliance and for the subsequent appearance of the door panel.

- In particular ensure that the cutout is square. Squareness can be checked by suitable means, e.g. spirit level, diagonal measurements, etc.
- The side walls of the cutout must be flush. The minimum thickness of the side and top walls is 5/8" (16 mm). The minimum thickness of toekick panel is 1/4" (6 mm).

Furniture / Fixtures

During installation, the appliance is fastened to adjacent and overhead furniture / fixtures and it is therefore essential that all such furniture / fixtures are well secured to the substructure or adjacent wall.

Flooring / Substructure

On account of the heavy weight of a fully loaded appliance, a load-bearing substructure is required. To ensure correct installation and function, the support must be flat, level and made of hard, rigid material. If in doubt, contact an architect or a building expert.

Refer to the following table for load-bearing capacity:

Appliance	Load Bearing Capacity
30-Inch Single Door Refrigerator	1,110 lbs. / 500 kg
18-Inch Single Door Freezer	560 lbs. / 250 kg
30-Inch Bottom Freezer	900 lbs. / 410 kg
36-Inch French Door	1,200 lbs. / 540 kg

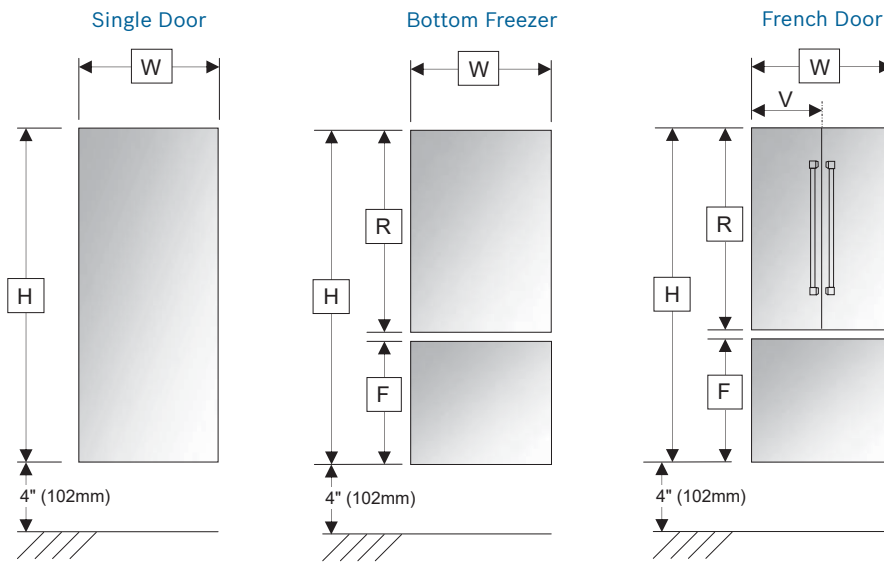
Door Panel Dimensions

Benchmark® Built-in Refrigeration

Select Bosch built-in refrigeration appliances are designed to be equipped with a decorative door panel. A panel can be custom-made or purchased as a stainless steel accessory. The table below illustrates the dimensions of the stainless steel panel accessories and can be used as a guide in creating custom panels. At 79 7/8" (2029 mm) tall, they are designed for a toe-kick height of 4" (102 mm), and a total cutout height of 84" (2134 mm) yielding 1/8" (3 mm) reveals. At 3/4" (19 mm) deep, they are designed to attach to the 24" (610 mm) deep appliance for an overall depth of 24 3/4" (629 mm). See page 177, 179, 181 and 188–193 for cutout planning.

When using custom panels, always ensure that the panel reverse is finished to match the exterior, as parts of the panel reverse will be visible when the refrigerator door is opened.

IMPORTANT: While these sketches can serve as a general guide in planning panel dimensions, the correct panel dimensions are dictated by design choices including style and dimensions of surrounding kitchen cabinetry, case and toe-kick height, etc. Please ensure careful planning based on the specific kitchen design.

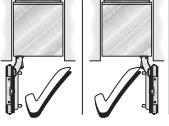
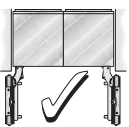
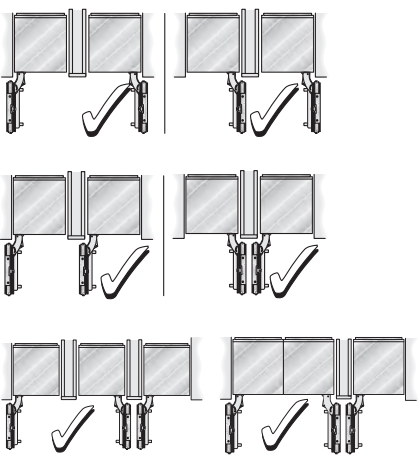
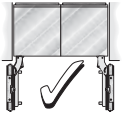

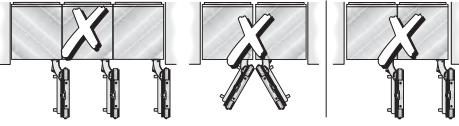
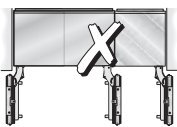


	B18IF800SP 18-Inch Single Door Freezer	B30IR800SP 30-Inch Single Door Refrigerator	B30IB800SP 30-Inch Bottom Freezer	B36IT800NP 36-Inch French Door
H	79 7/8" (2029 mm)	79 7/8" (2029 mm)	79 7/8" (2029 mm)	79 7/8" (2029 mm)
W	17 3/4" (451 mm)	29 3/4" (756 mm)	29 3/4" (756 mm)	35 3/4" (908 mm)
V	—	—	—	17 3/4" (451 mm)
R	—	—	51 11/32" (1304 mm)	51 11/32" (1304 mm)
F	—	—	28 13/32" (722 mm)	28 13/32" (722 mm)
Max. Panel Weight	37 lbs. (17kg)	64 lbs. (29kg)	55 lbs. (25kg)	55 lbs. (25kg)

Installation Options

Benchmark® Built-in Refrigeration

The Bosch Built-in Refrigeration Collection offers a variety of installation possibilities*. In some instances, special accessories are required.

Recommended Installations		Considerations
Stand-Alone		Any appliance can be installed as a stand-alone unit. Ensure a cutout flush to the appliance at a depth of minimum 4" (102 mm), preferably 6" (152 mm) on the top and sides.
Side-By-Side		When two appliances are installed side-by-side a sealing kit must be used. For combinations that involve a freezer column, this kit is provided. For all other (non-traditional) side-by-side combinations or instances where any appliances are installed less than 6" (152 mm) apart from one another but not connected side-by-side, purchase the Heater Kit (HEATKITB80).
Split Columns With Partition		When dimensioning the partition, note the thickness of the door panel (including handles) as well as the swivel range to prevent damage if the doors are opened at the same time. (See page 188 for details on door swivel range dimensions) Three appliances can be installed together only if a partition – minimum 5/8" (16 mm) – is placed between two of the appliances. Ensure that door panel thickness (including handles) as well as the swivel range are accounted for.
At The End of a Cabinetry Run		All appliances must be completely enclosed on the top and sides. If one side of the appliance is visible, a decorative side panel must be used. The side panel must be connected firmly to the wall, the floor and any overhead furniture / fixtures before the appliance is placed in the cutout.
Not Recommended		Concerns
		It is absolutely essential to ensure that the appliance is installed in such a way that the doors do not interfere with an adjacent wall or other kitchen elements. (See page 188 for details on door swivel range dimensions)
		A partition – minimum 5/8" (16 mm) – is required to ensure the doors do not interfere with one another when opened. Use a partition to separate appliances and observe the door swivel range. (See page 188 for details on door swivel range dimensions)
		A French Door Bottom Freezer cannot be connected side-by-side with any other appliance. Use a partition to separate appliances and observe the door swivel range. (See page 188 for details on door swivel range dimensions)

*The Bosch warranty shall apply only to recommended installations.

Planning Information

Benchmark® Built-in Refrigeration

Electrical Specifications

The appliance comes with a 3-wire power supply cord. UL listed in the USA.

The appliance requires a 3-wire receptacle that is fitted with a 15 Amp fuse or higher. Refer to the following table for max load details.

Appliance	Max Load
	120V AC, 60Hz
30-Inch Single Door Refrigerator	15 A
18-Inch Single Door Freezer*	15 A
30-Inch Bottom Freezer*	15 A
36-Inch French Door	15 A

*Including ice maker

The receptacle must be installed by a licensed electrician only.

For the installation position of the receptacle refer to diagram in “Electrical Location”.

Grounding Instruction

This appliance must be grounded. In the event of a malfunction or breakdown, grounding will reduce the risk of electric shock by providing a path of least resistance for the electric current.

Additional Grounding Procedure

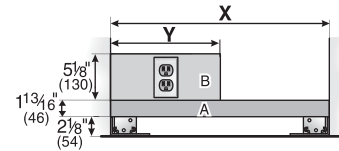
Some local regulations may require a separate ground. In such cases, the required accessory ground wire, clamp and screw must be purchased separately. Never ground the appliance to plastic plumbing lines, gas lines or water pipes.

A 4-conductor cord shall be used when the appliance is installed in an area where local codes do not permit grounding through the neutral. Power supply cord must be replaced by a licensed electrician only.

Warning

Improper connection of the equipment grounding conductor may result in electric shock. Have the appliance checked by a qualified electrician or service technician if you are in doubt as to whether the appliance has been properly grounded.

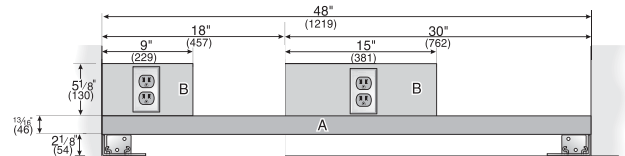
Electrical Location



Split Column Installation

	18-Inch	30-Inch
X	18" (457 mm)	30" (762 mm)
Y	9" (229 mm)	15" (381 mm)

Side-by-Side Installation



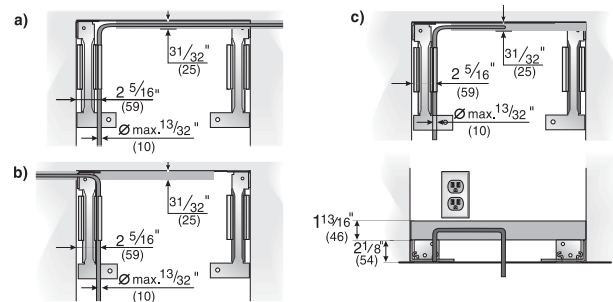
Water Location

A cold water connection is required for appliances that feature an ice maker or an ice and water dispenser.

The water pressure must be between 40 and 120 p.s.i. (2.75–8.25 bar). The installation must comply with local plumbing regulations.

A separate shut-off valve must be installed for the appliance water connection.

The shut-off valve for the water connection may not be behind the appliance. It is recommended to place the shut-off valve outside the cutout next to the appliance or in another easily accessible location. When installing the water connection, observe the permitted installation areas for the water supply line. The supply line can be located to the right (a), to the left (b), or underneath (c).



Planning Information

Benchmark® Built-in Refrigeration

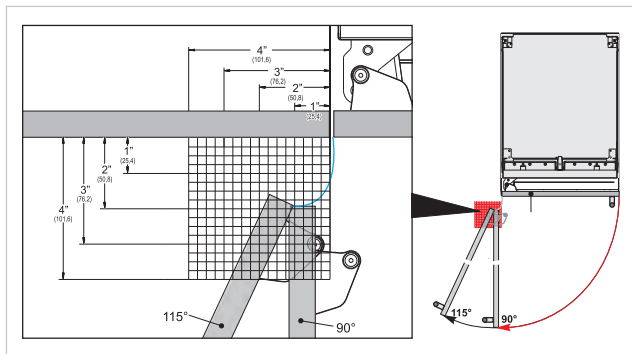
Door Swivel Range

It is absolutely essential to ensure that the appliance is installed in such a way that the doors (including handles) and adjacent cabinets, countertops, pilasters, walls or other kitchen elements do not interfere with one another when opened. The illustrations below depict the swivel range of the refrigerator doors including mounted door panels of both $\frac{3}{4}$ " (19 mm) and $1\frac{1}{2}$ " (38 mm) thickness.

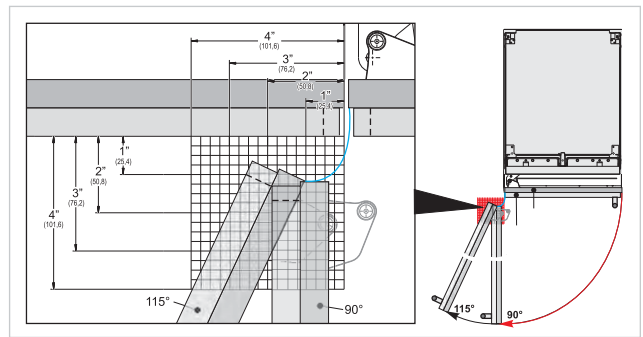
In the event of door interference the following solutions may be employed:

- Limit the refrigerator door opening angle to 90° with a door stop pin inserted into the hinge.
- Reduce the door panel thickness (if larger than $\frac{3}{4}$ " (19 mm)).
- Install a spacer between the appliance and the kitchen element that creates the interference.
- Rearrange the opposing kitchen element that creates the problem.
- Create a protruding cutout for the appliance.

Door Swivel Range – $\frac{3}{4}$ " (19 mm) Flush Appliance Door Panel

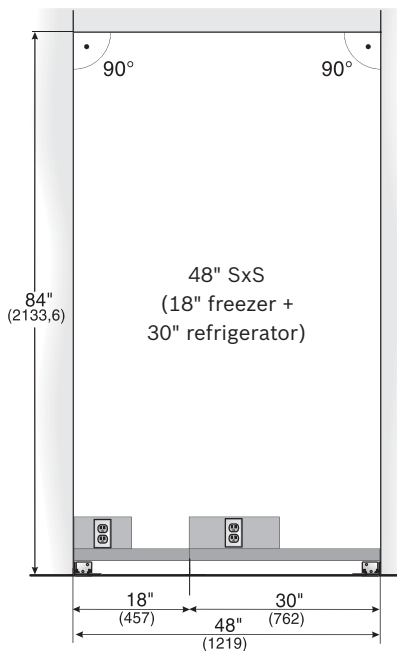


Door Swivel Range – $1\frac{1}{2}$ " (38 mm) Flush Appliance Door Panel

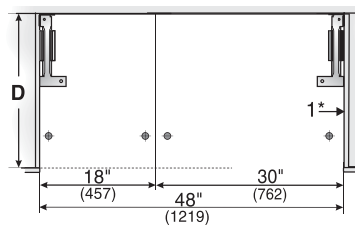


Side-By-Side Installation

The cutout width for side-by-side installations is defined by adding together the dimensions of two single columns. Below are the dimensions of a classic 48" side-by-side, with an 18" freezer on the left and a 30" refrigerator on the right.



IMPORTANT: Just as with stand-alone columns, always ensure that the receptacles and the water line are correctly positioned. For dimensional requirements see page 187.



- A: Area for running the water line. It is recommended the water-box be placed adjacent to the installation cutout, so that it can be accessed for service without uninstalling the appliance. If this is not possible, place the recessed water box adjacent to the power supply socket elevated at the heights as referenced in areas A+B.
- B: Area for installing the power connection
- D: Opening depth of cutout, depending on kitchen design (24" minimum)

Planning Information

Benchmark® Built-in Refrigeration

Cabinetry Terms & Basic Requirements

To clarify the terms that are used in this design guide, please refer to the following definitions:

Case

This is the main body of a kitchen cabinet.

(Cabinet) Face Frame

This is a decorative frame at the front of a kitchen cabinet representing the space between cabinetry doors or drawers and is typical for North America. European style cabinets (frameless cabinetry) typically do not have a face frame.

Door Panel

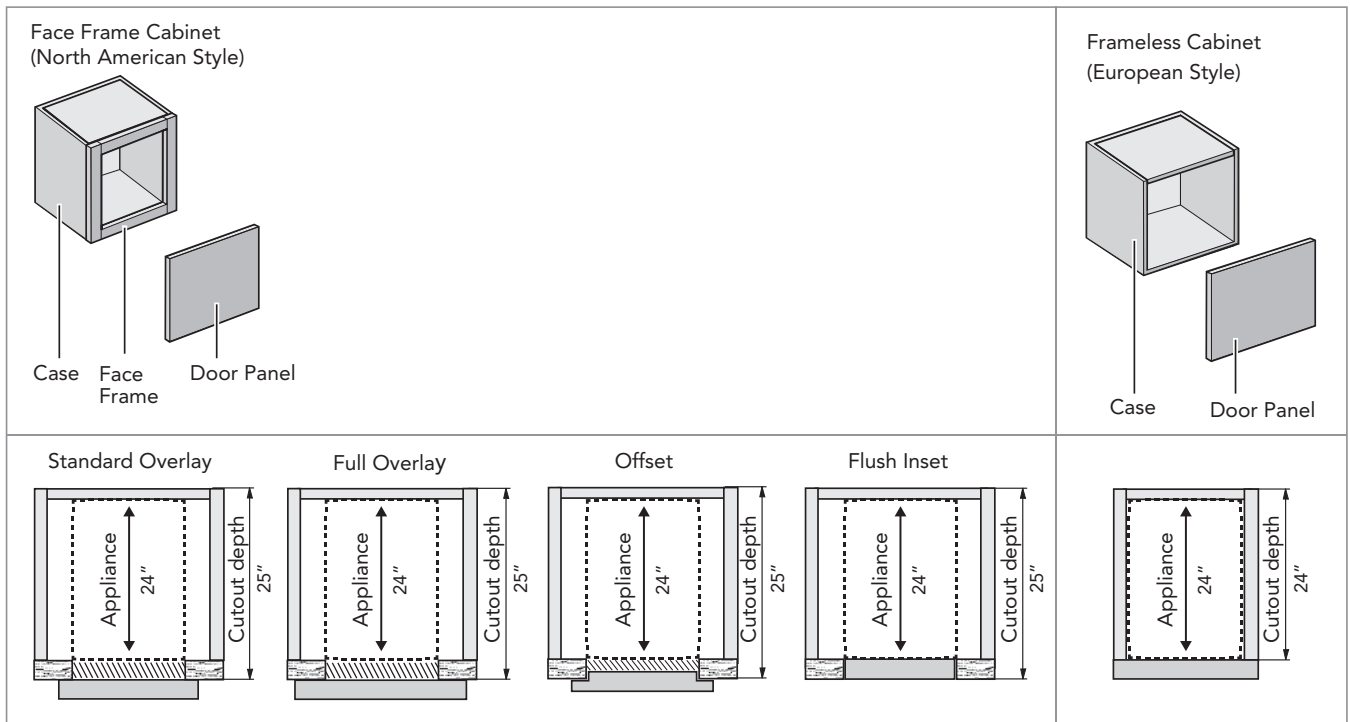
Able to be fully flush integrated when installed in 25" (635 mm) deep cabinets, Bosch built-in, custom panel refrigerators are intentionally designed to be equipped with custom door panels that perfectly match surrounding kitchen cabinetry. Typical panel thickness is $\frac{3}{4}$ " (19 mm). However, thicker panels can be accommodated to emulate the look of the visible face frame (as in overlay) or to match existing kitchen cabinetry doors. When using custom panels, always ensure that the panel reverse is finished to match the exterior, as parts of the panel reverse will be visible when the refrigerator door is opened.

Cutout (Niche)

The cutout is the cavity in which a Bosch built-in refrigerator and/or freezer is installed. The width of the cutout (18-inch, 30-inch, etc.) is dependent on the appliance(s). The total depth of the cutout is equal to the depth of the case plus face frame. It does not necessarily include the thickness of the door panel. For proper planning of cutout depth, please refer to pages 177, 179, 181 and 188–193.

Typically, the cutout for a Bosch built-in refrigerators and freezers will be 25" (635 mm) deep. When planning the cutout, it is essential that the top and side interior walls be flush to the appliance at a minimum depth of 4" (102 mm) from the outer edge of the face frame and composed of thick ($\frac{5}{8}$ " (16 mm) minimum) material for secure installation. Also, because the case interior will be partially visible when the refrigerator door is opened, always ensure that the top and side returns are finished to match the exterior furniture at the same minimum depth of 4" (102 mm).

Kitchen Cabinetry Illustration



Planning Information

Benchmark® Built-in Refrigeration

Cabinetry Style & Cutout Depth

Bosch built-in refrigerators and freezers are designed to accommodate nearly any type of kitchen cabinetry door installation. Generally, when using standard 3/4" (19 mm) panels, 25" (635 mm) deep cutouts are recommended but the required cutout depth depends on the desired cabinetry and custom panel execution, whether typical North American styles that employ a face frame – requiring a depth of 25" (635 mm) – or European style – requiring a depth of 24" (610 mm).

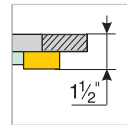
The below cabinetry styles detail requirements for the cutout and custom panel.

A) Standard (Partial) Overlay – 25" (635 mm) Cutout Depth

With standard overlay kitchen cabinetry the face frame is an important design element. In order to emulate this aesthetic for the refrigerator, one must account for the door panel thickness (typically 3/4" (19 mm)) as well as the face frame thickness (here, also 3/4" (19 mm)). The resulting thickness of the custom door panel is therefore 3/4" (19 mm) + 3/4" (19 mm) = 1 1/2" (38 mm). The cumulative thickness of the custom door panel requires added depth in the cutout so 25" (635 mm) is recommended (see sketch).

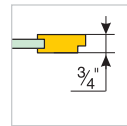
F) European Style Kitchen Cabinetry – 24" (610 Mm) Cutout Depth

If the kitchen design is based on European style cabinetry, there is no need to emulate the look of a face frame, as such a frame is not an element of the kitchen cabinetry design. Therefore a 24" (610 mm) deep cutout with accompanying custom panel will always be sufficient.



A) Standard Overlay Design

Custom Door Panel (Emulating a Face Frame)



B) Full Overlay Design

Custom Door Panel with Nose (Emulating a Face Frame)

B) Full Overlay – 25" (635 mm) Cutout Depth

The requirements for standard overlays are also valid for full overlay designs so 25" (635 mm) cutout depth is recommended. However, especially if kitchen cabinet doors are thinner than 3/4" (19 mm) or reveals are 1/8" (3 mm) or smaller, a 24" (610 mm) cutout depth may also be acceptable. In this execution both the cabinet door and the small reveal of the fully overlaid face frame must be emulated within the typical appliance door panel thickness of 3/4" (19 mm). This can be done either a) by simply ignoring the visible area of the face frame (very small reveals show virtually no face frame) or b) by creating a "nose" on the custom door panel to emulate a small visible face frame (see sketch).

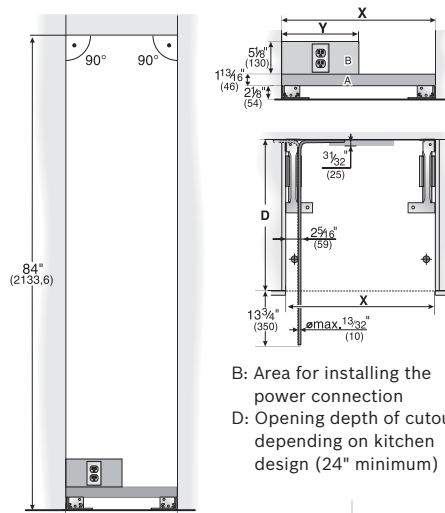
C & D) Offset & Flush Inset – 25" (635 mm) Cutout Depth

Here, kitchen cabinetry door panels do not rest atop the cabinet face frame (overlay), but are instead inserted partially (offset) or fully flush (inset) into the face frame. Such offset or flush inset door panels require additional depth in the cutout. Using the example of a 3/4" (19 mm) thick panel, the complete cutout depth would be 24" (610 mm) + 3/4" (19 mm) = 24 3/4" (629 mm) and in this example 25" (635 mm) is recommended.

E) Framed – 24" (610 mm) Cutout Depth

A metal frame (FRAMKITB80) may be affixed to the side of the cabinet which conveniently hides unfinished case returns and provides a classic built-in look. This is particularly relevant for existing cabinetry that has not been custom-built to accommodate these appliances. A 24" (610 mm) cutout will result in a slightly protruding door panel for a typical built-in look.

Split Column Installation



A: Area for running the water line. It is recommended the water-box be placed adjacent to the installation cutout, so that it can be accessed for service without uninstalling the appliance. If this is not possible, place the recessed water box adjacent to the power supply socket elevated at the heights as referenced in areas A+B.

B: Area for installing the power connection

D: Opening depth of cutout, depending on kitchen design (24" minimum)

	X	Y
18-Inch Single Door Freezer	18" (457 mm)	9" (229 mm)
30-Inch Single Door Refrigerator	30" (762 mm)	15" (381 mm)
30-Inch Bottom Freezer	30" (762 mm)	15" (381 mm)
36-Inch French Door	36" (914 mm)	18" (457 mm)

Important

It is strongly recommended the top interior of the cutout be of solid material (5/8" (16 mm) thickness). Ensure that the top well is completely flush for a depth of at least 4" (102 mm).

Ensure that the side walls of the cutout are also completely flush to a depth of at least 4" (102 mm).

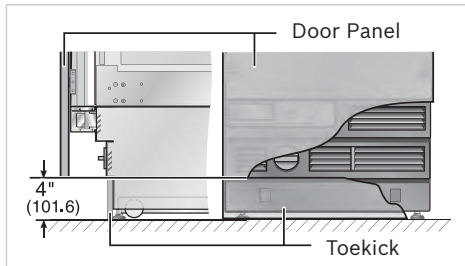
If, for some reason, a separate cutout cabinet is created, ensure that the furniture return is at least 4" (102 mm) deep for proper installation.

Planning Information

Benchmark® Built-in Refrigeration

Toeckick & Venting Grille

Each Bosch built-in refrigeration appliance comes with a 4" (102 mm) tall stainless steel toekick. A custom-made toekick that matches the surrounding cabinetry may be applied instead. While standard toekick height is 4" (102 mm), depending on the usage of the leveling legs, the toekick height could vary. Regardless of toekick height, it is imperative that the venting grille remain unblocked to ensure proper functionality of the appliance. Decorative toekicks should be removable to allow for servicing.



Typical 4" (102 mm) toekick height. Velcro adhesive strips are used to fasten the toekick to the appliance. Venting grille and (if applicable) the water filter cavity are located above the toekick area.

Upper Molding

The planning of decorative upper molding above the cutout requires taking into account the actual or desired height of the door panel.

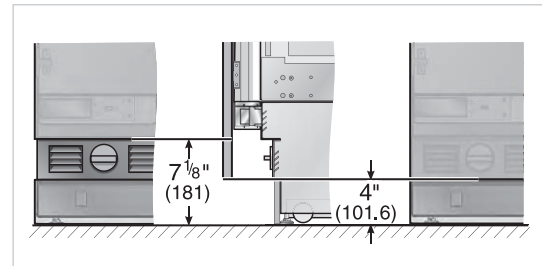
The overall height of the door panel will depend on:

- the height of the appliance, typically 84" (2134 mm) – leveling legs allow height adjustment ranging from $-1/2"$ (-13 mm) to $+1 3/8"$ (+35 mm)
- the installed height of the door panel (distance from the bottom edge of the door panel to the floor, typically 4" (102 mm), and, if desired, any extension of the custom panel above the appliance cutout)
- the appliance type (single door or bottom freezer)

Important

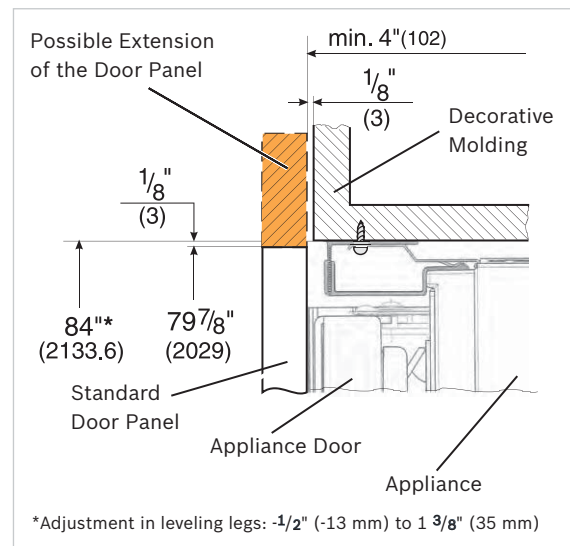
Please recall that a panel should be installed at a minimum height of 4" (102 mm) from the floor to allow proper ventilation of the appliance.

Always ensure that the top of the cutout or upper decorative molding is at least 4" (102 mm) deep, so that the refrigerator can be properly secured to the cutout wall. This is particularly important if a protruding cutout is specially created and configured with a face frame. Furniture returns for any face frame must be a minimum of 4" (102 mm) deep.



If required by the surrounding cabinetry design, the distance between the bottom edge of the door panel and the floor can be increased from approx. 4" (102 mm) up to 7 1/8" (181 mm), but should not be decreased. Note, however, that the venting grille and (if applicable) water filter cavity will be visible, even if the door is closed.

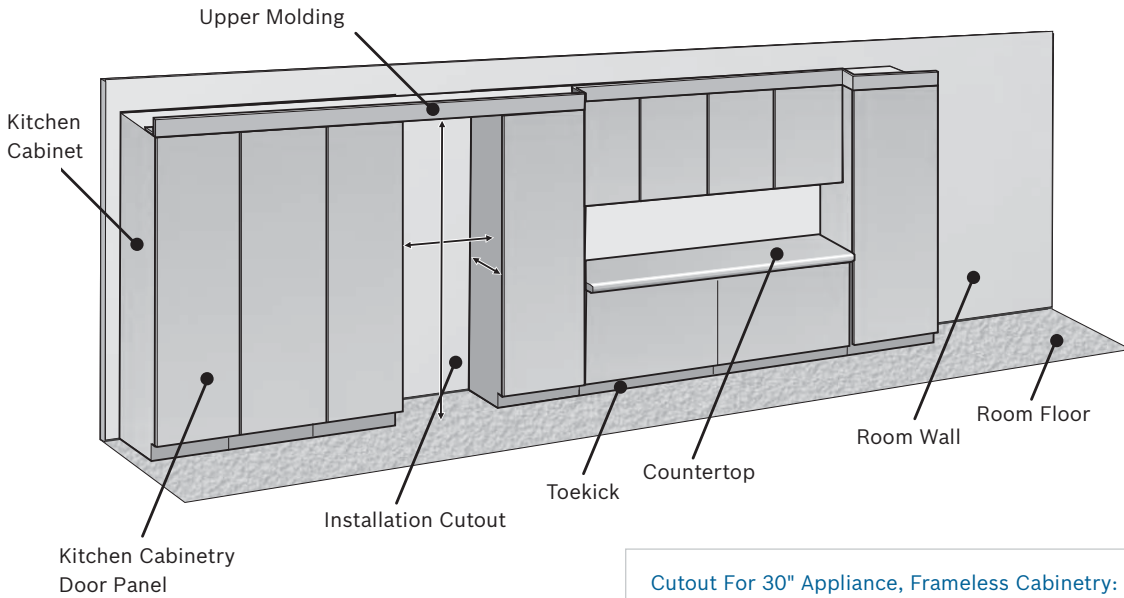
Vertical Section, Side View:



Planning Information

Benchmark® Built-in Refrigeration

Planning Example #1: Frameless (European) Cabinetry

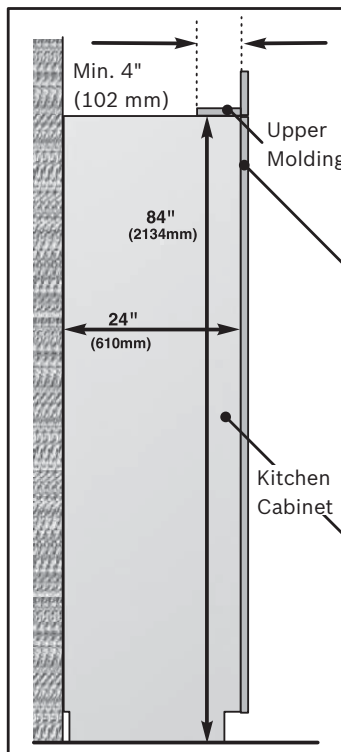


Cutout For 30" Appliance, Frameless Cabinetry:

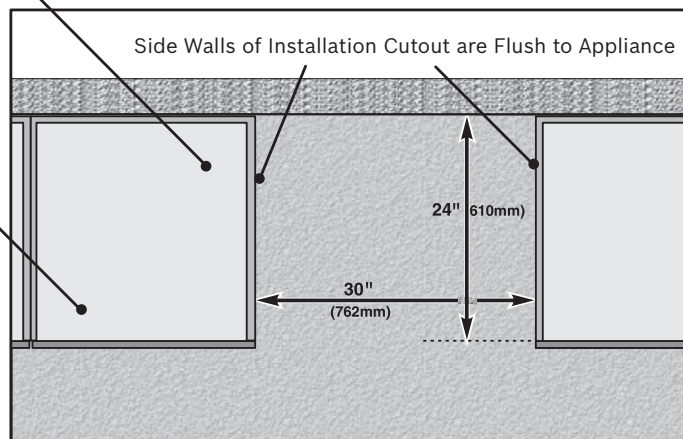
In this example, the installation cutout is formed by simply leaving a gap between two kitchen cabinets.

The custom door panel $\frac{3}{4}$ " (19 mm) will be identical in appearance and thickness to the surrounding kitchen cabinetry panels.

- cutout width is exactly 30" (762 mm)
- cutout (case) depth is 24" (610 mm) – does not include door panel
- top and side walls of cutout interior are completely flush, of solid material and at least 4" (102 mm) deep



Installation Cutout (Vertical Section)

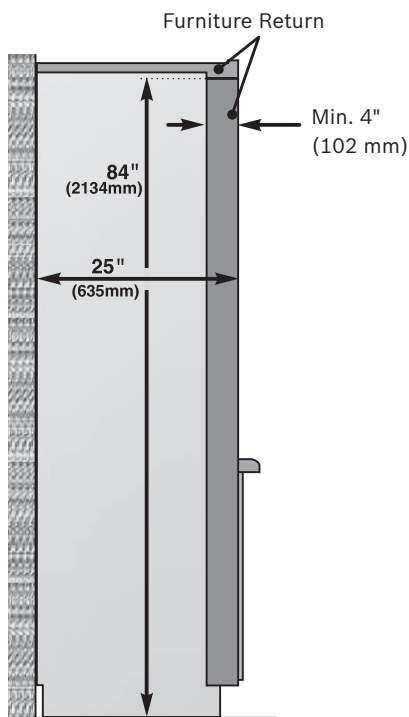
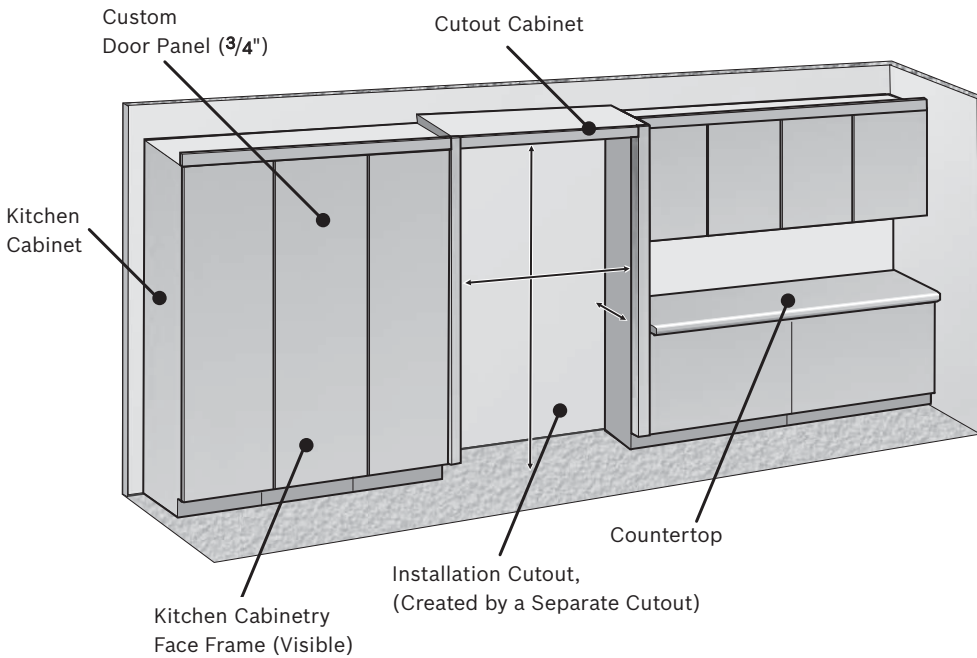


30-Inch Installation Cutout (Horizontal Section)

Planning Information

Benchmark® Built-in Refrigeration

Planning Example #2: Standard Overlay Cabinetry

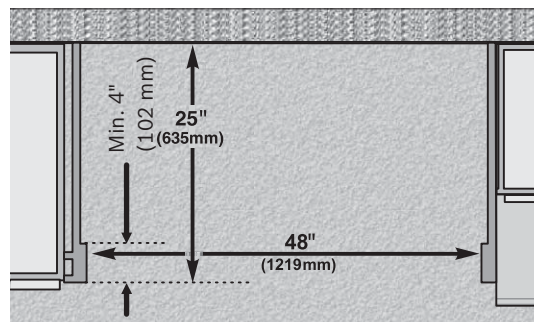


CUTOUT FOR 48" SIDE-BY-SIDE APPLIANCE COMBINATION, STANDARD OVERLAY CABINERY:

In this example, the installation cutout is formed by creating a separate cutout around the appliances. It yields a look that deviates from the general kitchen design.

The custom door panel has a cumulative thickness of $1\frac{1}{2}$ " (38 mm), $\frac{3}{4}$ " (19 mm) emulating the face frame and $\frac{3}{4}$ " (19 mm) for the actual door panel). Thus, a 25" (635 mm) deep installation cutout is required.

- cutout width is exactly 48" (for an 18" + 30" = 48" side-by-side combination)
- cutout (case) depth is 25" (635 mm) due to $1\frac{1}{2}$ " (38 mm) custom door panel
- any furniture return must be at least 4" (102 mm) deep, on interior top and sides, of solid material and should be finished to match the exterior at the same depth (4" or 102 mm)



500 / 800 Series 24" Freestanding Bottom Freezer Refrigerators



500 Series
B11CB50SSS
Bottom Freezer

- 24" x 79" Counter-Depth
- HydroFresh Humidity-Controlled Drawer
- Wine Rack
- Sidewall LED Lighting

ENERGY STAR 2016
Emerging Technology Award

Most Efficient 2016
ENERGY STAR www.energystar.gov



800 Series
B11CB81SSS
Bottom Freezer

- 24" x 79" Counter-Depth
- + Built-in Ice Maker
- HydroFresh Humidity-Controlled Drawer
- Wine Rack
- Sidewall LED Lighting

ENERGY STAR



800 Series
B10CB80NVS (Stainless)
B10CB80NVW (White)
B10CB80NVB (Black)
Glass Door Bottom Freezer

- 24" x 73" Counter-Depth
- + Stylish Tempered Glass Door
- HydroFresh Humidity-Controlled Drawer
- Wine Rack

ENERGY STAR 2016
Emerging Technology Award

Most Efficient 2016
ENERGY STAR www.energystar.gov

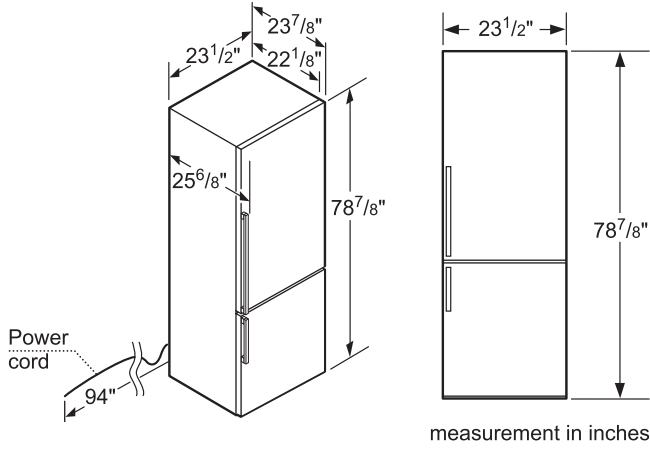
+ Indicates a step-up feature

	500 Series – Counter-Depth	800 Series – Counter-Depth	800 Series – Counter-Depth
	Stainless Steel – B11CB50SSS	Stainless Steel – B11CB81SSS	Glass on Stainless Steel – B10CB80NVS White Glass – B10CB80NVW Black Glass – B10CB80NVB
General Properties			
Reversible door hinge	Yes	Yes	Yes
Water filter	No	No	No
Lighting	LED	LED	LED
Defrost process refrigerator section	Frost-free	Frost-free	Frost-free
Number of shelves – refrigerator	3	3	3
Adjustable shelves – refrigerator	2	2	2
Shelf material – refrigerator	Tempered glass	Tempered glass	Tempered glass
Type of shelves – refrigerator	Spill-proof glass	Spill-proof glass	Spill-proof glass
Door storage bins	3	3	3
Humidity control drawer	1	1	1
Defrost process freezer section	Automatic	Automatic	Automatic
Number of drawers – freezer	3	2	3
Shelf material – freezer	Metal	Metal	Metal
Type of shelves – freezer	Wire	Wire	Wire
Ice maker	No	Yes	No
Capacity			
Total unit gross capacity (cu. ft.) – AHAM	11 cu. ft.	11 cu. ft.	10 cu. ft.
Refrigerator gross capacity (cu. ft.)	7.7 cu. ft.	7.7 cu. ft.	7.5 cu. ft.
Freezer gross capacity (cu. ft.)	3.3 cu. ft.	3.3 cu. ft.	2.5 cu. ft.
Technical Details			
Current (A)	15 A	15 A	10 A
Volts (V)	120 V	120 V	110 – 120 V
Frequency (Hz)	60 Hz	60 Hz	60 Hz
Power cord length (in.)	94"	94"	94"
Plug type	120V – 3 prong	120V – 3 prong	120V – 3 prong
Dimensions & Weight			
Appliance dimensions (HxWxD) (in.)	78 7/8" x 23 1/2" x 23 7/8"	78 7/8" x 23 1/2" x 23 7/8"	72 7/8" x 23 1/2" x 25 3/4"
Required cutout size (HxWxD) (in.)*	79 1/2" x 24" x 24"	79 1/2" x 24" x 24"	73 1/2" x 24 1/8" x 22"
Net weight (lbs)	181 lbs	181 lbs	203.9 lbs (191.8 W/B)
Efficiency			
ENERGY STAR® qualified	Yes	Yes	Yes
Energy consumption (kWh / yr)	357 kWh	357 kWh	435 kWh
Accessories – Included			
Included	Wine rack, ice tray, egg tray, bottle holder	Wine rack, ice tray, egg tray, bottle holder	Wine rack, ice tray, egg tray, bottle holder

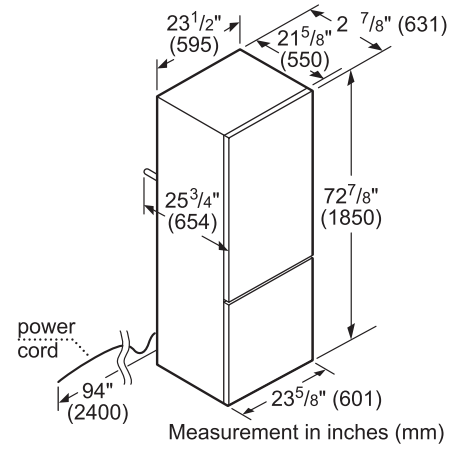
*Add 3/4" (1.9 cm) to the height dimension when leveling legs are fully extended

500 / 800 Series 24" Freestanding Bottom Freezer Refrigerators

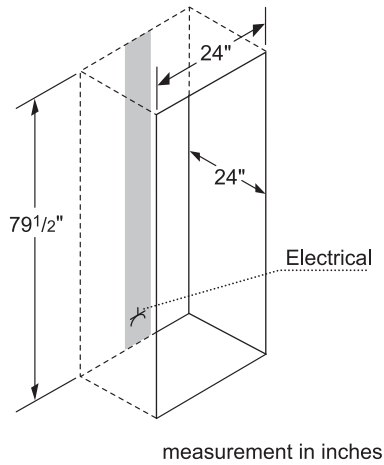
24" B11CB50SSS & B11CB81SSS Dimensions



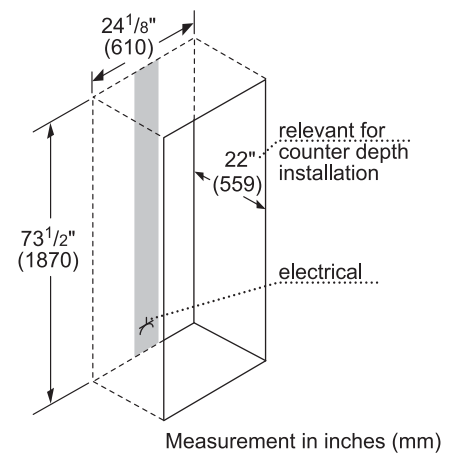
24" B10CB80NVS/W/B Dimensions



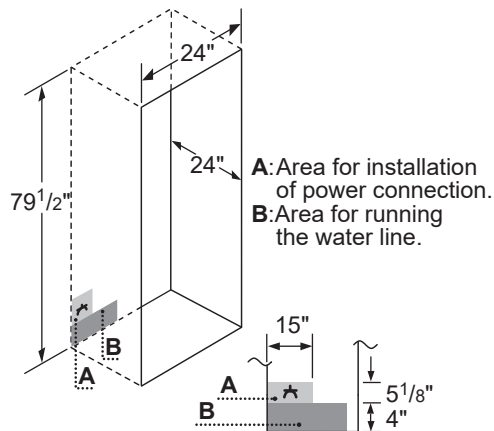
24" B11CB50SSS Installation



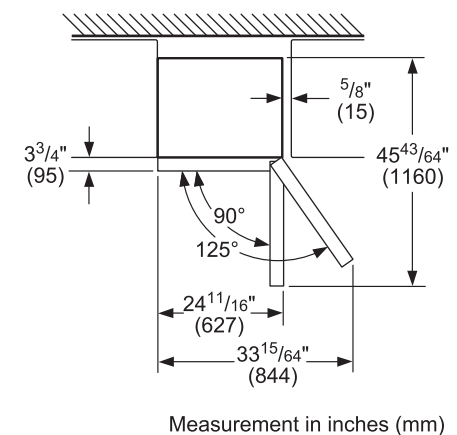
24" B10CB80NVS/W/B Installation



24" B11CB81SSS Installation



24" B10CB80NVS/W/B Overhead Views



800 Series Built-in Bottom Freezer Refrigerator



800 Series
B09IB81NSP
Built-in Bottom Freezer with Home Connect™

- 22" x 69 ³/₄"
- + Home Connect™
- Custom Panel Ready
- Installs Completely Flush
- Maintenance-free LED lighting
- + Vitafresh® Pro Drawer



800 Series – Built-in with Home Connect™

Custom Panel – B09IB81NSP

General Properties

Home Connect™ (WiFi enabled)	Yes
Reversible door hinge	Yes
Water filter	No
Lighting	Maintenance-free LED lighting
Defrost process refrigerator section	Frost-free
Number of shelves – refrigerator	5
Adjustable shelves – refrigerator	4
Shelf material – refrigerator	Glass w/metal trim
Type of shelves – refrigerator	4 adjustable, 1 varial shelf
Door storage bins	No
Humidity control drawer	Yes
Defrost process freezer section	Automatic
Number of drawers – freezer	3
Ice maker	No
Quick ice	No

Capacity

Total unit gross capacity (cu. ft.) – AHAM	9.6 cu. ft.
Refrigerator gross capacity (cu. ft.)	6.6 cu. ft.
Freezer gross capacity (cu. ft.)	3 cu. ft.

Technical Details

Watts (W)	90 W
Current (A)	10 A
Volts (V)	120 V
Frequency (Hz)	60 Hz
Power cord length (in.)	90"
Plug type	3-Prong

Dimensions & Weight

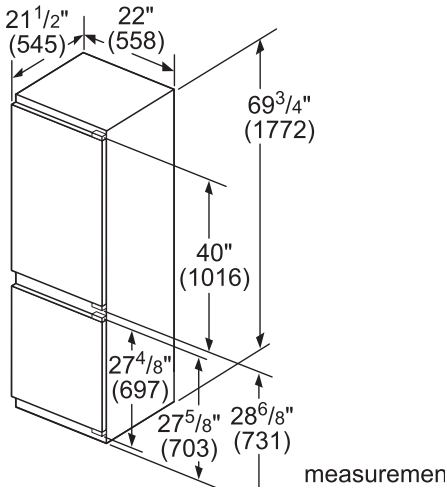
Appliance dimensions (HxWxD) (in.)	69 ³ / ₄ " x 22" x 21 ¹ / ₂ "
Required cutout size (HxWxD) (in.)	70" x 22 ¹ / ₄ " x 24 ³ / ₄ "
Net weight (lbs)	151 lbs

Efficiency

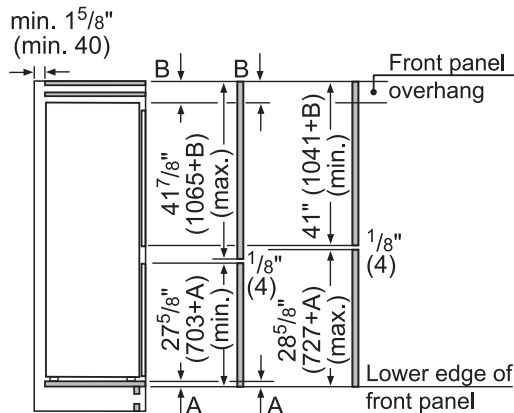
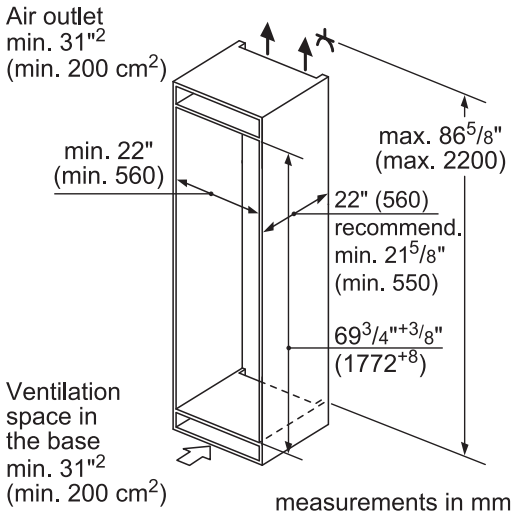
ENERGY STAR® qualified	Yes
Energy consumption (kWh / yr)	394 kWh

800 Series Built-in Bottom Freezer Refrigerator

B09IB81NSP Dimensions



B09IB81NSP Installation



The specified unit door dimensions are valid for a door gap of 1/8" (4 mm).
measurements in mm

800 Series Freestanding French Door Refrigerators



- 800 Series
B21CL80SNS
4-Door French Door**
- 35 3/4" x 69 7/8" Counter-Depth
 - 2-Drawer Freezer
 - Full-Width Chiller Drawer
 - Dual AirCool System
 - Retractable Half Shelf
 - Hidden Hinges
 - Humidity Controlled Crisper Drawers



- 800 Series
B21CL81SNS
4-Door French Door**
- 35 3/4" X 69 7/8" Counter-Depth
 - 2-Drawer Freezer
 - Full-Width Chiller Drawer
 - Dual AirCool System
 - Retractable Half Shelf
 - Hidden Hinges
 - Humidity Controlled Crisper Drawers

	36" Counter-Depth	36" Counter-Depth
	Stainless Steel – B21CL80SNS	Stainless Steel – B21CL81SNS
General Properties		
Lighting	LED	LED
Defrost process refrigerator section	Frost-free	Frost-free
Number of shelves – refrigerator	5	5
Adjustable shelves – refrigerator	4 half-width	4 half-width
Shelf material – refrigerator	Tempered glass	Tempered glass
Type of shelves – refrigerator	Tempered glass	Tempered glass
Gallon storage bins	5	5
Humidity control drawer	2	2
Defrost process freezer section	Automatic	Automatic
Number of drawers – freezer	2	2
Ice maker	Yes	Yes
Water filter	No	No
Capacity		
Total unit gross capacity (cu. ft.) – AHAM	20.7 cu. ft.	20.7 cu. ft.
Refrigerator gross capacity (cu. ft.)	14.7 cu. ft.	14.7 cu. ft.
Freezer gross capacity (cu. ft.)	6.0 cu. ft.	6.0 cu. ft.
Technical Details		
Current (A)	10 A	10 A
Volts (V)	120 V	120 V
Frequency (Hz)	60 Hz	60 Hz
Power cord length (in.)	67"	67"
Plug type	120V – 3 prong	120V – 3 prong
Dimensions & Weight		
Appliance dimensions (HxWxD) (in.)	69 7/8" x 35 3/4" x 28 3/4"	69 7/8" x 35 3/4" x 28 3/4"
Required cutout size (HxWxD) (in.)*	70" x 36" x 25"	70" x 36" x 25"
Net weight (lbs)	301.76 lbs	301.76 lbs
Efficiency		
Energy consumption (kWh / yr)	623 kWh	623 kWh
Accessories – Included		
Included	2 Egg trays, ice scoop, toe kick trim cover	2 Egg trays, ice scoop, toe kick trim cover

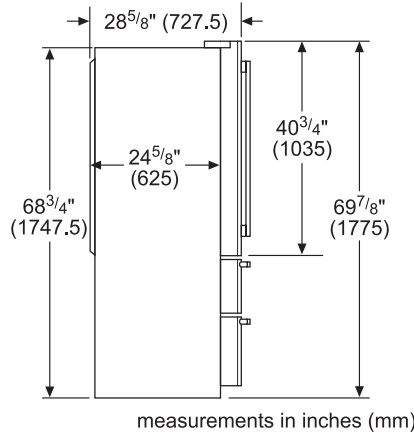
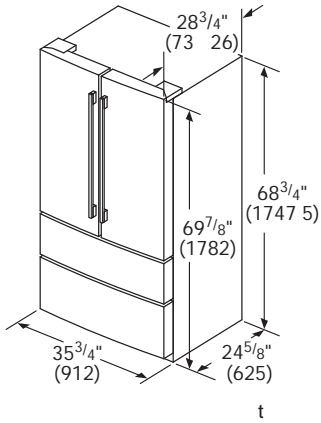
*Add 3/4" (1.9 cm) to the height dimension when leveling legs are fully extended

Optional Accessories

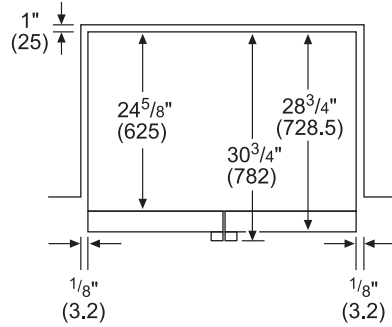
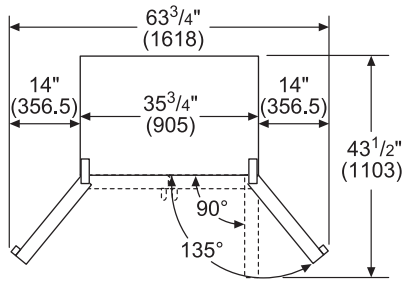
BOHANDL40
Pro-style stainless steel handle kit (P/N 00775143)

800 Series Freestanding French Door Refrigerators

Dimensions



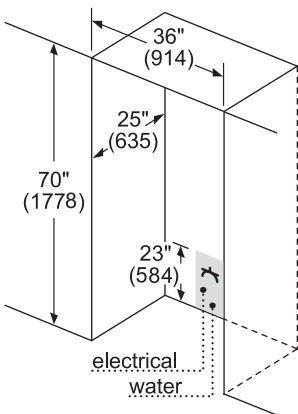
Dimensions (Overhead Views)



Drawers can be pulled out with door open 90°.
 Drawers can be taken out with door completely opened.

measurements in inches (mm)

Installation



Leave 1/2" (12.7 mm) gap at the top and 1" (25.4 mm) behind the refrigerator for proper ventilation.
 For installation next to a wall, leave 3 3/4" (95.2 mm) minimum on wall side for opening the door.
 It is recommended that you do not install the refrigerator near a heat source such as an oven or a range.
 Maximum receptacle and water line height 23" (584)

measurements in inches (mm)

800 Series Freestanding French Door Refrigerator



800 Series B26FT80SNS French Door

- 35 5/8" x 69 3/4" Standard-Depth
- VitaFresh® Food Preservation System
- MultiAirFlow™ Cooling System
- LED Lighting
- Quick Ice
- Stainless SteelTouch® Control Panel

36"

Stainless Steel – B26FT80SNS

General Properties

Water filter	Yes
Lighting	LED
Defrost process refrigerator section	Frost-free
Number of shelves – refrigerator	5
Adjustable shelves – refrigerator	4 half-width
Shelf material – refrigerator	Tempered glass
Type of shelves – refrigerator	Spill-proof glass
Gallon storage bins	2
Covered dairy bin	1
Humidity control drawer	2 VitaFresh®
Defrost process freezer section	Automatic
Number of drawers – freezer	2
Ice maker	Yes
Quick ice	Yes

Capacity

Total unit gross capacity (cu. ft.) – AHAM	24.8 cu. ft.
Refrigerator gross capacity (cu. ft.)	17.0 cu. ft.
Freezer gross capacity (cu. ft.)	7.8 cu. ft.

Technical Details

Current (A)	15 A
Volts (V)	120 V
Frequency (Hz)	60 Hz
Power cord length (in.)	62"
Plug type	120V – 3 prong

Dimensions & Weight

Appliance dimensions (H x W x D) (in.)	69 3/4" x 35 5/8" x 32 15/32"
Required cutout size (H x W x D) (in.)	69" x 36" x 30 1/8"
Net weight (lbs)	325 lbs

Efficiency

Energy consumption (kWh / yr)	744 kWh
-------------------------------	---------

Accessories – Included

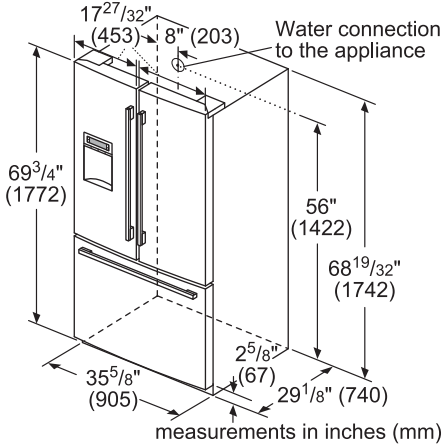
Included	Egg box with lid
----------	------------------

Optional Accessories

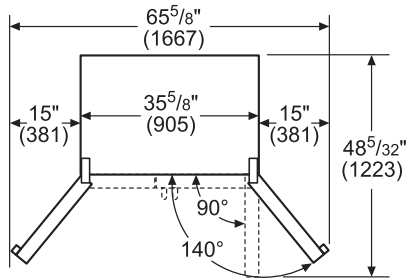
BORPLFTR10
Replacement water filter (P/N 00740570)

800 Series Freestanding French Door Refrigerator

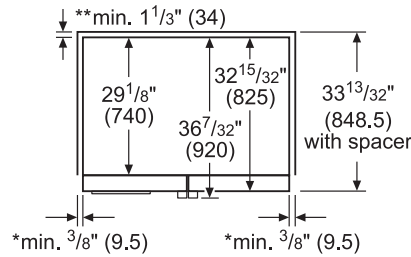
36" B26FT80SNS Dimensions



36" B26FT80SNS Dimensions (Overhead Views)



Drawers can be pulled out with door open 90°. Drawers can be taken out with door completely opened.



* If the appliance is placed next to a cooker, the distance at the sides must be at least 1".

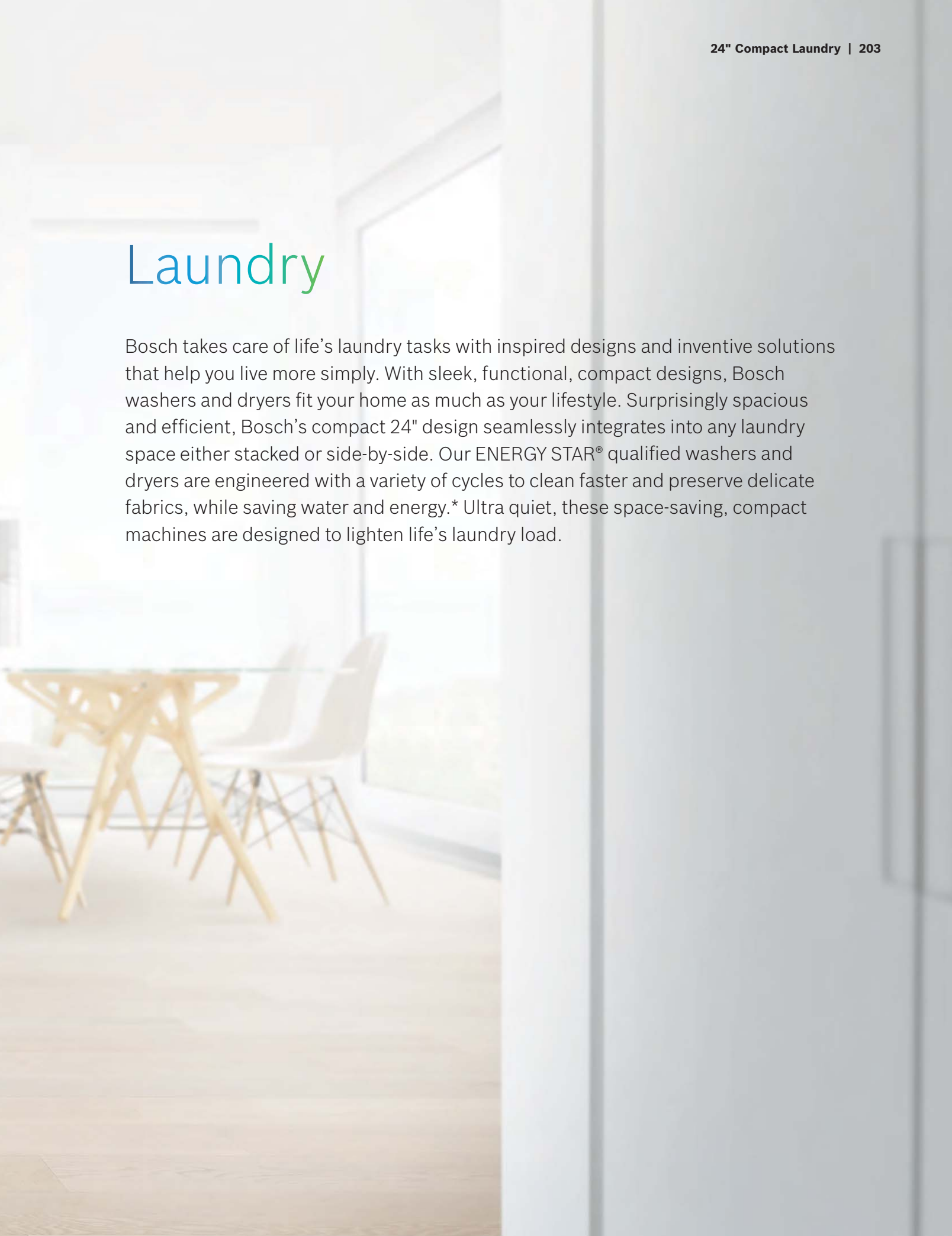
** The clearance in the back must include the space of the water connection.

measurements in inches (mm)



Laundry

Bosch takes care of life's laundry tasks with inspired designs and inventive solutions that help you live more simply. With sleek, functional, compact designs, Bosch washers and dryers fit your home as much as your lifestyle. Surprisingly spacious and efficient, Bosch's compact 24" design seamlessly integrates into any laundry space either stacked or side-by-side. Our ENERGY STAR® qualified washers and dryers are engineered with a variety of cycles to clean faster and preserve delicate fabrics, while saving water and energy.* Ultra quiet, these space-saving, compact machines are designed to lighten life's laundry load.



24" Compact Washers



300 Series
WAT28400UC

- SpeedPerfect® Provides Up to 40% Faster Washing Time*
- EcoSilence Motor Delivers Quiet, Efficient Performance
- Anti-vibration Circular Side Walls Reduce Vibration
- ENERGY STAR® Qualified



500 Series
WAT28401UC

- + AquaShield® Provides Protection Against Water Damage
- + Sanitize Cycle Heats Water to Kill Bacteria
- + Washes Up to 18 Towels in One Load
- + Lower Noise 52 / 72 dBA (Washing / Spinning)



800 Series
WAT28402UC

- + Wash 5 Men's Dress Shirts in Just 15 Minutes
- + AquaStop® Plus Provides Extra Protection Against Water Damage
- + Interior LED Light
- + Lowest Noise 50 / 71 dBA (Washing / Spinning)



+ Indicates a step-up feature

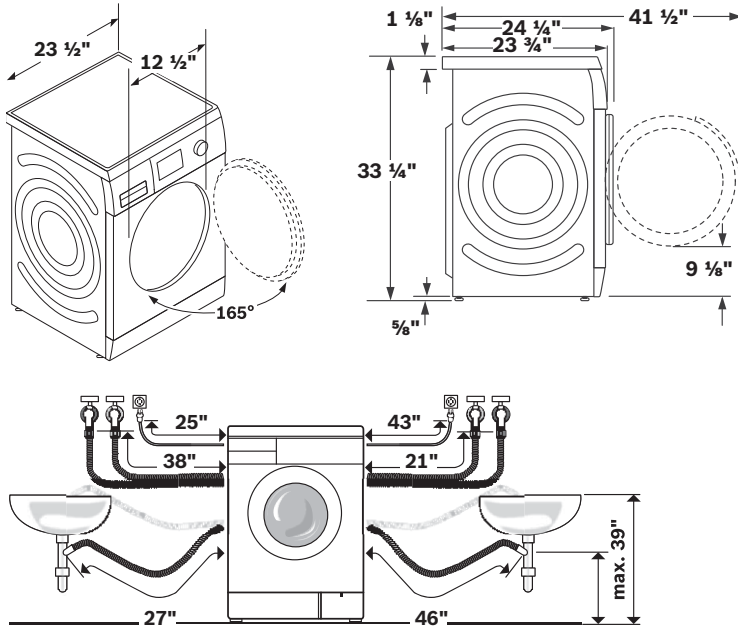
	300 Series	500 Series	800 Series
	White – WAT28400UC	White – WAT28401UC	White – WAT28402UC
General Properties			
Drum material	Stainless steel	Stainless steel	Stainless steel
Maximum spin speed (rpm)	1,400	1,400	1,400
Interior light	No	No	Yes (LED)
Leak protection systems	Reinforced hose	AquaShield® hose	AquaStop® Plus (AquaStop® base + AquaShield® hose)
Internal water heater	Yes	Yes	Yes
Stackable	Yes	Yes	Yes
Silence level – washing (dBA)	54	52	50
Silence level – spinning (dBA)	73	72	71
Programs (No.), [Special]	(15), [Allergen, Jeans, Heavy Duty]	(15), [Bulky / Large Items, Towels]	(15), [Super Quick 15, Whitest Whites]
Options (No.), [Special]	(6), [SpeedPerfect®, PreWash]	(6), [SpeedPerfect®, PreWash]	(6), [SpeedPerfect®, PreWash]
Energy consumption (kWh / yr)	84	84	84
Water consumption (gal / yr)	2,320	2,320	2,320
ENERGY STAR® qualified	Yes	Yes	Yes
Capacity			
Capacity (cu. ft.), (relative load)	2.2 (16 bath towels)	2.2 (18 bath towels)	2.2 (18 bath towels)
Design Elements			
Door ring	White	Silver	Chrome
Control type	Touch	Touch	Touch
Dial	White	Silver ring with white center	Chrome design, metal material
Bosch logo on door glass	No	Yes	Yes
Technical Details			
Watts (W)	2,300	2,300	2,300
Circuit breaker if plugged into an individual circuit (A)	20	20	20
Volts (V)	208 / 220 – 240	208 / 220 – 240	208 / 220 – 240
Current (A)	12	12	12
Frequency (Hz)	60	60	60
Plug type	240V; NEMA 6 – 15 (3 prong)	240V; NEMA 6 – 15 (3 prong)	240V; NEMA 6 – 15 (3 prong)
Included power cord length (in)	63" (Full length)	63" (Full length)	63" (Full length)
Drain / inlet hose length (in)	57" / 47" (Full length)	57" / 59" (Full length)	57" / 59" (Full length)
Door hinge	Left side (not reversible)	Left side (not reversible)	Left side (not reversible)
Dimensions & Weight			
Overall dimensions (HxWxD) (in)	33 1/4" x 23 1/2" x 24 1/4"	33 1/4" x 23 1/2" x 25"	33 1/4" x 23 1/2" x 25"
Net weight (lbs)	158	160	160
Minimum stack height (in)	67 3/4"	67 3/4"	67 3/4"
ADA compliance	Meets ADA height and access requirements <i>when installed on pedestal</i> . Meets ADA operable parts requirements for controls and detergent dispenser		

*As compared to Perm Press Heavy Soil cycle without SpeedPerfect

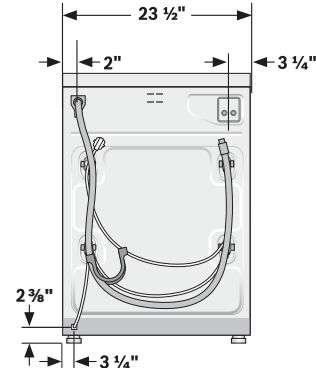
24" Compact Washers

300 Series Dimensions and Installation

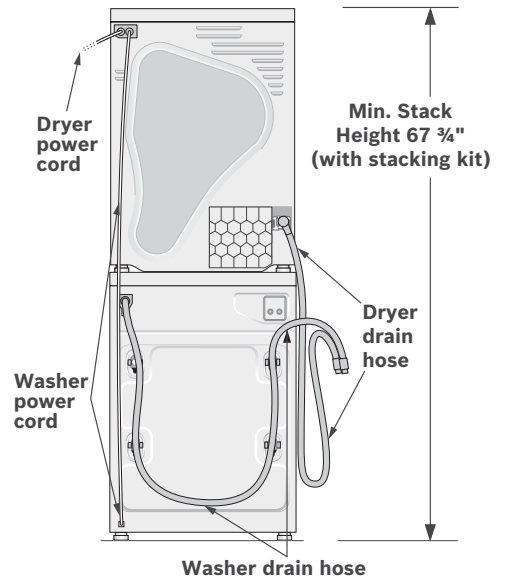
Dimensions in inches



300 Series, 500 Series and 800 Series

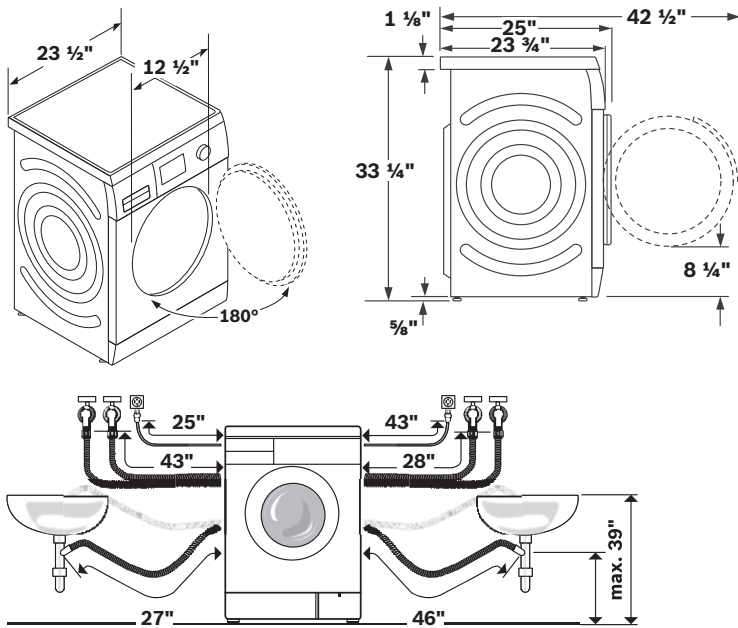


300 Series, 500 Series and 800 Series Washer plugged into the dryer

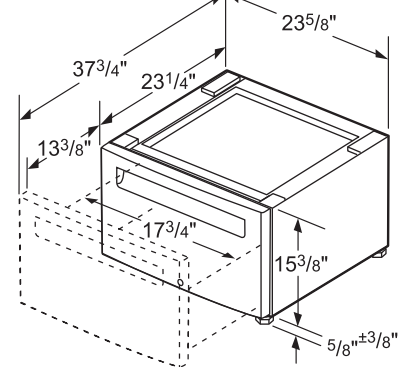


500 Series and 800 Series Dimensions and Installation

Dimensions in inches



Optional Pedestal



measurements in inches

Optional Accessories

WMZ20490
16" Pedestal (Washer)

P/N 645787 (500 & 800 Series)
Short Stainless Steel Hose (f Needed for Plumbing Box Clearance with AQS Hose)

NOTE: See page 208 for details on installing under counter or in a closet.

24" Compact Dryers



300 Series
WTG86400UC

- Washer Plugs into Dryer for Easy Installation
- Dries Up to 16 Towels in One Load
- Intelligent Sensors Prevent Over Drying
- Anti-vibration Circular Side Walls Reduce Vibration
- Low Noise 67 dBA



500 Series
WTG86401UC

- + Reversible Door
- + Stainless Steel Drum
- + Dries Up to 18 Towels in One Load
- + ENERGY STAR® Qualified
- + Lower Noise 65 dBA
- + Bulky / Large Items Cycle



800 Series
WTG86402UC

- + SuperQuick 15 Minute Cycle
- + Chrome Dial and Door Trim Design
- + Interior LED Light
- + Lowest Noise 63 dBA
- + AntiShrink Cycle



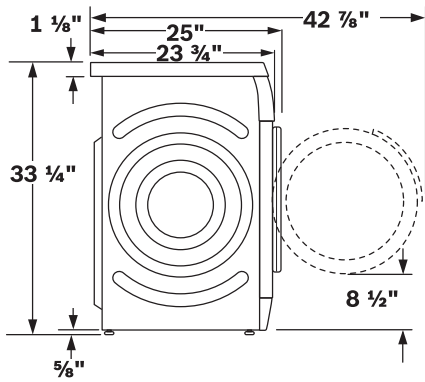
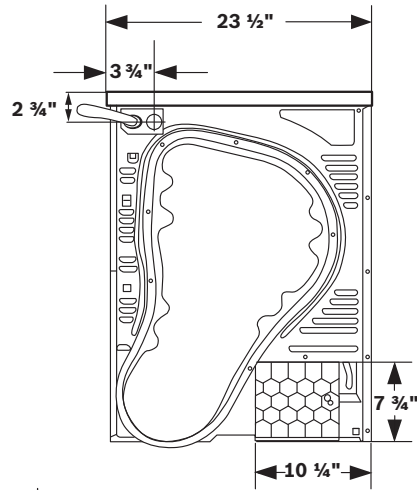
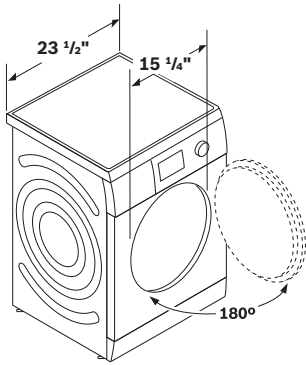
+ Indicates a step-up feature

	300 Series	500 Series	800 Series
	White – WTG86400UC	White – WTG86401UC	White – WTG86402UC
General Properties			
Dryer type	Condensing	Condensing	Condensing
Drum material	Galvalume	Stainless steel	Stainless steel
Interior light	No	No	Yes (LED)
Ventless drying (no ducting)	Yes	Yes	Yes
Stackable	Yes	Yes	Yes
Silence level (dBA)	67	65	63
Programs (No.), [Special]	(15), [Jeans, Heavy Duty]	(15), [Bulky / Large Items, Towels]	(15), [Super Quick 15, Anti Shrink]
Options (No.), [Special]	(6), [Dry Level, Finished In]	(6), [Dry Level, Finished In]	(6), [Dry Level, Finished In]
Energy consumption (kWh / yr)	320	311	311
ENERGY STAR® qualified	No	Yes	Yes
Capacity			
Capacity (cu. ft.)	4.0	4.0	4.0
Relative load	16 bath towels	18 bath towels	18 bath towels
Design Elements			
Door ring	White	Silver	Chrome
Control type	Touch	Touch	Touch
Dial	White	Silver ring with white center	Chrome design, metal material
Bosch logo on door glass	No	Yes	Yes
Technical Details			
Energy source	Electric	Electric	Electric
Watts (W)	2,800	2,800	2,800
Circuit breaker (A)	30	30	30
Volts (V)	208 / 220 – 240	208 / 220 – 240	208 / 220 – 240
Current (A)	13	13	13
Frequency (Hz)	60	60	60
Plug type	240V; NEMA 14 – 30 (4 prong)	240V; NEMA 14 – 30 (4 prong)	240V; NEMA 14 – 30 (4 prong)
Included power cord length (in)	63" (full length)	63" (full length)	63" (full length)
Drain hose length (in)	78" (full length)	78" (full length)	78" (full length)
Door hinge	Right side (not reversible)	Right side (reversible)	Right side (reversible)
Dimensions & Weight			
Overall dimensions (HxWxD) (in)	33 1/4" x 23 1/2" x 25"	33 1/4" x 23 1/2" x 25"	33 1/4" x 23 1/2" x 25"
Net weight (lbs)	99	99	99
Minimum stack height (in)	67 3/4"	67 3/4"	67 3/4"
ADA compliance	Meets ADA height and access requirements <i>when installed on pedestal</i> . Meets ADA operable parts requirements for controls and lint filter.		

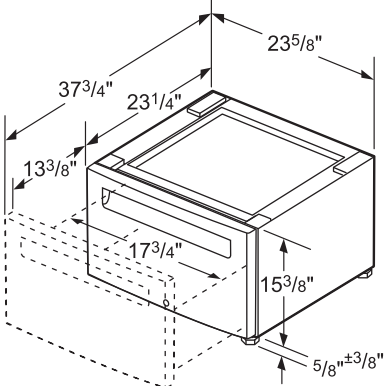
24" Compact Dryers

Dryer Dimensions

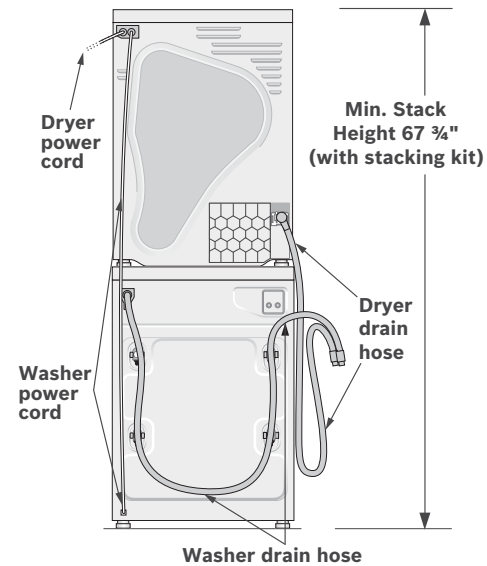
Dimensions in inches



Optional Pedestal



Washer plugged into the dryer



NOTE: See page 208 for details on installing under counter or in a closet.

Optional Accessories

WMZ20500
16" Pedestal (Dryer)

WTZ20410
Stationary Stacking Kit

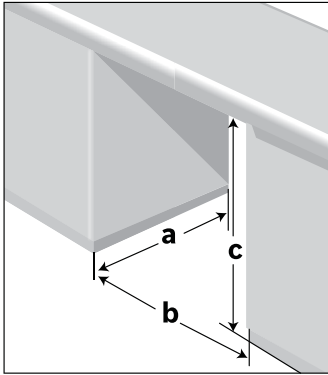
WTZ11400
Stacking Kit with Pull Out Tray

WMZ20600
Drying Rack

24" Washers and Dryers Installed in Enclosure

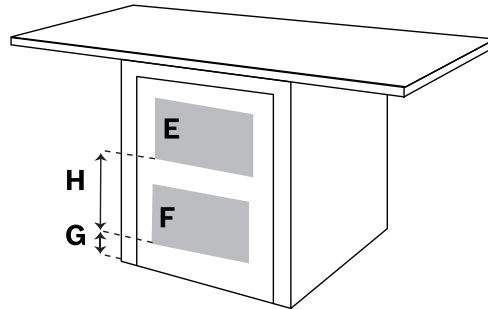
Enclosure Dimensions

Under Counter: (Preferred)



Front of the appliance fully open. No doors or coverings.

Under Counter: (Less Preferred)



If the front of the appliance is covered, ventilation openings must be installed as shown and front/rear clearances adhered to according to closet installations.

Minimum opening dimensions

a	28 in.
b	23 7/8 in.
c	34 1/2 in.

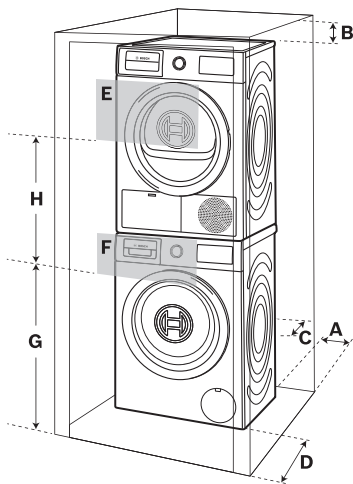
E & F are minimum area sizes

E	63 sq. in.
F	63 sq. in.

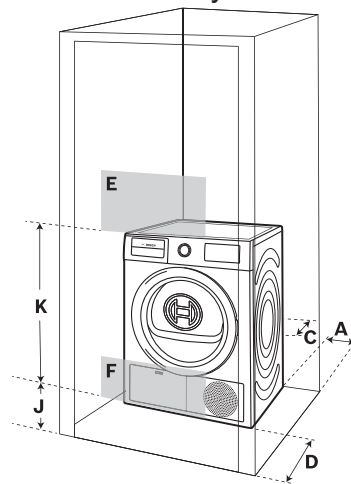
G & H actual spacing dimensions for min. open area sizes

G	3 in.
H	14 in.

Closet: Stacked



Closet: Stand Alone (shown) or Side by Side



Clearance requirements (Minimum)

A Both Sides	5/8 in.
B Top	6 1/4 in.
C Rear	2 1/2 in.
D Front	2 1/2 in.

Ventilation Area (Minimum)

E Top	63 sq. in.
F Bottom	63 sq. in.

Vent Spacing

G	37 in.
H	26 in.
J	3 in.
K	29 in.

Enclosure Dimensions

Warranty

Cooktops

Limited warranty, entire appliance, parts and labor (1 year)

Ovens

Limited warranty, entire appliance, parts and labor (1 year)

Microwaves

Limited warranty, entire appliance, parts and labor (1 year)

Built-in Coffee Machine

Limited warranty, entire appliance, parts and labor (1 year)

Ranges

Limited warranty, entire appliance, parts and labor (1 year)

Ventilation

Limited warranty, entire appliance, parts and labor (1 year)

Dishwashers

Limited warranty, entire appliance, parts and labor (1 year)

Limited warranty for microprocessor or printed circuit board; parts only (2nd to 5th year)

Limited warranty for racks (does not include rack components); parts only (2nd to 5th year)

Limited warranty for rust-through on inner tub liner; parts only (lifetime)

Refrigeration

Limited warranty, entire appliance, parts and labor (1 year)

Limited warranty for non-electronic components; parts only (1st to 2nd year)

Limited warranty for electronic components; parts only (2nd to 5th year)

Limited warranty for rust-through on stainless steel; parts only (lifetime)

24" Compact Laundry

Limited warranty, entire appliance, parts and labor (1 year)

Washing Machines

Extended limited warranty on drive motor from date of purchase (2 years)

Dryers

Extended limited warranty from date of purchase (2 years)

Bosch will repair or replace, free of charge, any printed circuit boards, drive motor or component part of the drive motor that proves defective under conditions of normal home use during the first two years from the date of purchase, labor charges excluded.

Warranty Note: Bosch warrants that the Product is free from defects in materials and workmanship for a period of three hundred and sixty-five (365) days from the date of purchase. The foregoing timeline begins to run upon the date of purchase, and shall not be stalled, tolled, extended, or suspended, for any reason whatsoever. This Product is also warranted to be free from cosmetic defects in material and workmanship (such as scratches of stainless steel, paint/porcelain blemishes, chips, dents, or other damage to the finish of the Product, for a period of thirty (30) days from the date of purchase or closing date for new construction. This cosmetic warranty excludes slight color variations due to inherent differences in painted and porcelain parts, as well as differences caused by kitchen lighting, product location, or other similar factors. This cosmetic warranty specifically excludes any display, floor, "As Is", or "B" stock appliances.

Experience Bosch®.






Bosch appliances are built with precision German engineering and invented for life. Whether you would like to research our products, get inspired with kitchen design ideas, or have questions on the use and care of your product, simply browse our online resource library at bosch-home.com/us.

Get inspired. Start planning your dream kitchen today.

Visit the App Store® or Google Play™ to download our Kitchen Experience and Design Guide app.



Connect with us

-  [instagram.com/boschhomeus](https://www.instagram.com/boschhomeus)
-  [facebook.com/boschappliances](https://www.facebook.com/boschappliances)
-  [youtube.com/boschhome](https://www.youtube.com/boschhome)
-  twitter.com/boschappliances
-  [pinterest.com/boschhomeus](https://www.pinterest.com/boschhomeus)

Visit the above sites to get inspired and share photos of your new kitchen.



Perfection you might have to see to believe.

Come visit us at any of our beautiful showroom locations:

- > California: Irvine
- > New York: New York City

Get complete details at bosch-home.com/us.



Apple and the Apple logo are trademarks of Apple Inc., registered in the U.S. and other countries. App Store is a service mark of Apple Inc. Google Play and the Google Play logo are trademarks of Google Inc.

Service you can trust 100%.

The Bosch Customer Support Team is ready to help. Please don't hesitate to contact us if you have questions on our product line, need advice about use and care, or would like to purchase accessories. We are ready to assist you.

Website

- > How-to Videos
- > Frequently Asked Questions
- > Filters, Accessories and Parts
- > Owner Manuals
- > Product Registration
- > Find a Dealer
- > Find a Bosch Authorized Servicer

Bosch Home Appliances US:
www.bosch-home.com/us

Bosch Home Appliances Canada:
www.bosch-home.ca

Phone

- > 24-Hour Call Center Access
- > English, French, Spanish

1-800-944-2904

Warranty

- > Lifetime Stainless Steel Rust-through Warranty for Dishwashers and Refrigerators
- > One-year Limited Warranty on all Bosch Appliances
- > See page 209 for additional warranty information

Important Note: Please refer to installation instructions prior to making cutout. BSH reserves the absolute and unrestricted right to change product materials and specifications, at any time, without notice. Consult the product's installation instructions for final dimensional data and other details. Applicable product warranty can be found in accompanying product literature or you may contact your account manager for further details. For more information on our entire line of products, go to www.bosch-home.com/us or call 1-800-944-2904.



Bosch Home Appliances
1901 Main Street, Suite 600
Irvine, CA 92614
1.800.944.2904

www.bosch-home.com/us (U.S.)
www.bosch-home.ca (Canada)

BSH reserves the absolute and unrestricted right to change product materials and specifications, at any time, without notice. Consult the product's installation instructions for final dimensional data and other details. Applicable product warranty can be found in accompanying product literature or you may contact your account manager for further details.

©2017 BSH Home Appliances Corporation.
All rights reserved. Bosch is a registered trademark of Robert Bosch GmbH.