

HydroTap Arc Plus BC Tap

Product Spec Sheet



HydroTap Arc Plus Boiling/Chilled (BC) Tap

Elevate your home hydration with the HydroTap Arc Plus BC Tap and enjoy instant access to filtered boiling and chilled water from the tap.

The HydroTap Arc Plus is timeless and enduringly classic tap style. With its curved 'swan neck', it will complement any kitchen or wet bar design – from traditional to contemporary.

This tap style can be installed over the sink as a secondary tap or over our optional design range front/drip tray. The HydroTap Arc Plus tap is available in seven different finishes from a classic chrome to a modern gunmetal.

HydroTap Arc Plus BC Tap - Available Finishes



Chrome



Brushed
Chrome



Matte
Black



Brushed
Gold



Polished
Nickel



Brushed
Nickel



Gunmetal

Product Order Codes for HydroTap Arc Plus BC Taps

HydroTap Arc Plus BC Tap in Chrome	01046206
HydroTap Arc Plus BC Tap in Brushed Chrome	01046207
HydroTap Arc Plus BC Tap in Matte Black	01046208
HydroTap Arc Plus BC Tap in Brushed Gold	01046209
HydroTap Arc Plus BC Tap in Polished Nickel	01049070
HydroTap Arc Plus BC Tap in Brushed Nickel	01046210
HydroTap Arc Plus BC Tap in Gunmetal	01046211

Please see individual product spec sheets for command center and accessory product specs and order codes.

HydroTap Arc Plus BC Tap

Product Spec Sheet



Installation Requirements

The HydroTap is a pump-driven system so the installation of the Tap must be within 3' (0.9m) of the base command center. Installation on most countertops is straightforward however, some stone countertops may require a specialized cutting service.

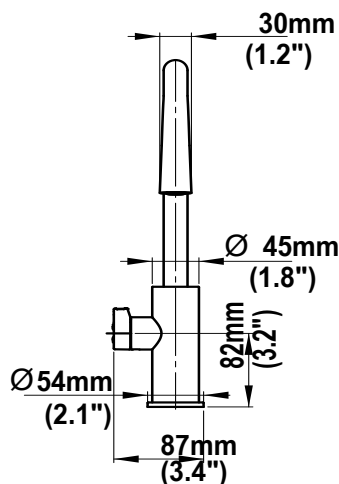
If using a drip tray (font) accessory, suitable drainage to a trapped waste is required within 3' (0.9m) of the installation. Sufficient space and clearance to install the HydroTap as detailed in the product installation guidelines is required.

Installation and connection of your HydroTap must be carried out by a qualified person, observing all local, state, & federal regulations.

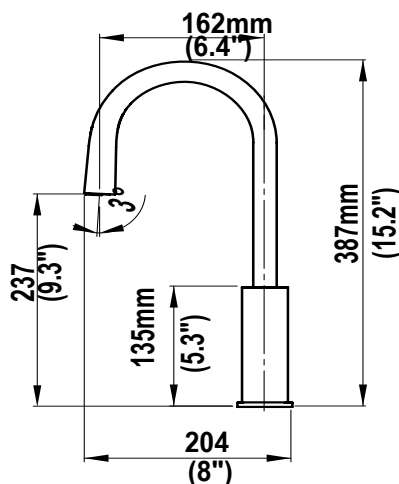
HydroTap Arc Plus BC - Tap Specs

Style:	HydroTap Arc Plus Tap (BC) - includes boiling water safety lock
Hole Size:	1 - 3/8" / 35mm
Tap Height:	15.2" / 387mm
Handle Orientaton:	Left side - fixed
Installation:	The tap is showcased at its finest when paired with the optional Design Range Drip Tray / Drain Font. It can be also be installed as an accessory tap over an existing sink.
Flow Rate:	Max 1.8 gpm / 6.81 lpm
Product Certifications:	IAPMO - NSF/ANSI 372, 42, 53, CSA B438.1, ASSE 1023, ASSE 1087; cUL; CEC; AB-100
ADA Compliant:	Yes

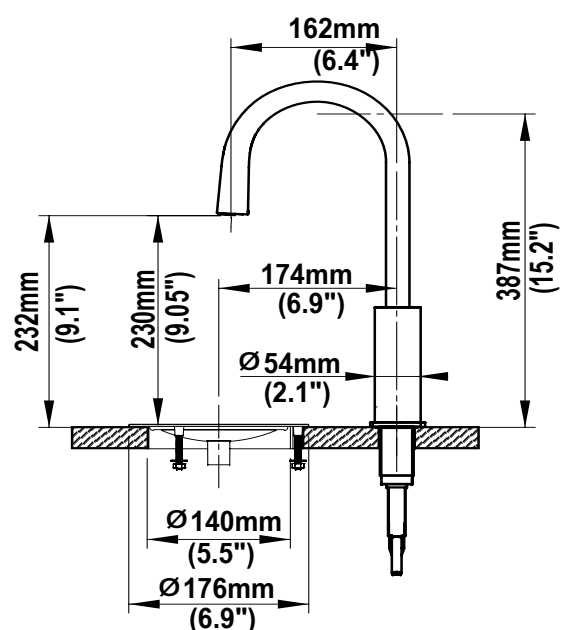
Arc Plus - Front View



Arc Plus - Side View



Arc Plus on Optional Standalone Font



Installation by Zip Professional Service is available in select metro areas and can be arranged with a phone call to 1-833-233-2358 or by emailing wecare@na.zipwater.com. Technical Installation assistance over phone or video call can be obtained by calling our customer care line at 1-833-233-2358, Monday through Friday 8am - 7pm Central Time.