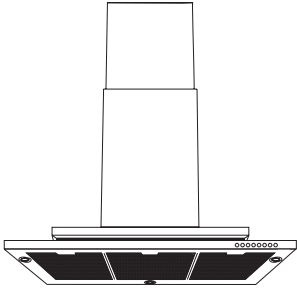


Wall Hood
 For exhaust air/re-circulating
 air operation
 Stainless steel or aluminum
 Width 36" (90 cm)



AW 200-791* (AW200 - 792)
 stainless steel

AW 201-791* (AW201 - 792)
 aluminum lacquered

*Limited availability

AW 200/201-791* (792)
 - The classic in a new design. To the point, but unobtrusive.
 - Balance at a high level. High air output with minimal sound.
 - Adjustable 60 watt soft halogen light: From bright to subdued lighting.

Features:
 Three electronically controlled speeds + intensive mode, interval ventilation, delay shut-off function, grease filter saturation indicated by flashing light.

Stainless steel grease filter, dishwasher-safe.
 Soft-Light

Unobstructed air flow:
 405 CFM with Ø 6".

Sound pressure level:
 57 dB (re 1 pW).

Installation accessories for exhaust air mode:

The following accessories are needed to complete installation:

AD 010-012 stainless steel	duct cover, 7' 3" - 8' 6" (2.24-2.63 m)
AD 010-022 stainless steel	duct cover, 8' 6" - 9' 6" (2.63-3.02 m)
AD 011-012 Lacquered aluminum	duct cover, 7' 3" - 8' 6" (2.24-2.63 m)
AD 011-022 Lacquered aluminum	duct cover, 8' 6" - 9' 9" (2.63-3.02 m)

Installation accessories for re-circulation mode:

AD 010-112 stainless steel	duct cover, 7' 7" - 8' 6" (2.35-2.63 m)
AD 010-122 stainless steel	duct cover, 8' 6" - 9' 9" (2.63-3.02 m)
AD 011-112 Lacquered aluminum	duct cover, 7' 7" - 8' 6" (2.35-2.63 m)
AD 011-122 Lacquered aluminum	duct cover, 8' 6" - 9' 9" (2.63-3.02 m)

KF 001-010 Activated charcoal filter
 The dimensions above refer to a distance of 63" from the floor to the bottom edge of the hood. Convert for other installation heights: worktop height + minimum clearance + hood with duct.

Planning notes:

Plan electrical connection behind the duct cover.

Minimum clearance from gas and electric appliances: 30".

Side outlet: The lowest possible position for the side outlet is at the bottom edge of the hood (middle of duct): 18 1/2".

Rating:

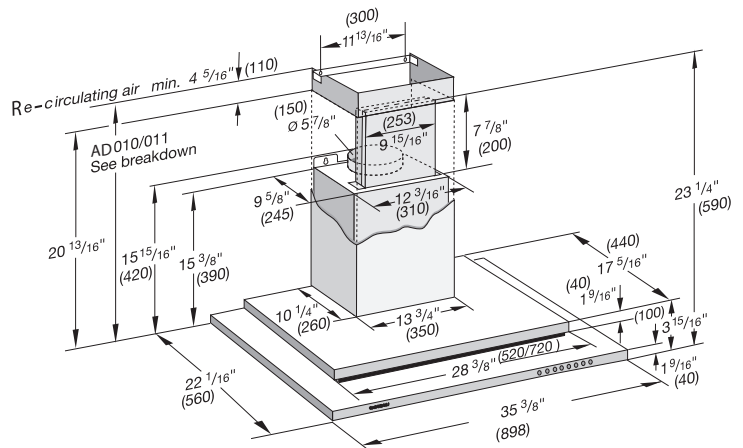
Total rating: 220 W
 Connecting cable: 47"
 Total Amps: 2
 120V / 60Hz

Exhaust air:

AD 010/011-012 = 25 5/8" - 41" (650-1040)
 AD 010/011-022 = 41 5/8" - 56 1/4" (1040-1430)

Re-Circulating air:

AD 010/011-112 = 29 7/8" - 41" (760-1040)
 AD 010/011-122 = 41" - 56 1/4" (1040-1430)



Numbers indicated inside parenthesis () = mm