

AVVS24DCXWA - 2 TON

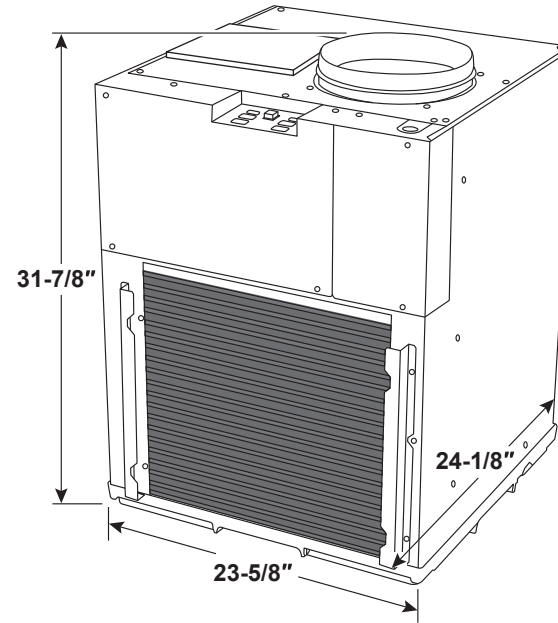
GE Zoneline Heat Pump, Single Package
Vertical Air Conditioner, 230-208 Volt

Features	
Inverter Driven, Variable Speed Compressor	
Ultra-Low Heat Pump Operation (Down to 0 deg F)	
Insta-Platform™ (Sold Separately)	
Self-Contained Drainage System	
Fast-Connect Plumbing	
Quick Install Plenum (Sold Separately)	
Self-Aligning, Lock in Place System	
Onboard Diagnostics	
Rustproof Bulkhead and Base Pan	
Ultra-Quiet	
SmartHQ® Wi-Fi Ready (Requires Subscription)	



Lowest global warming refrigerant in its class

Warranty	
Parts Warranty	Limited 5-year
Labor Warranty	Limited 1-year entire appliance Limited 5-year sealed system
Warranty Notes	See written warranty for full details



Performance Data at 230V	
Rated Cooling BTU:	22,400 BTU
Cooling BTU Range @95F:	5,200 -24,000
EER2 @95F:	8.8
SEER2:	16.0
Rated Heat Pump BTU:	21,500 BTU
Heating BTU Range @47F:	5,000 - 23,000
Heat Pump COP2@47F:	2.8
HSPF2:	7.6

POWER CONNECTION REQUIREMENTS (RESISTANCE HEAT)

230-208 VOLT	12,000 BTU _h	
POWER CONNECTION KIT**	RAK320D	RAK330D
Heater BTU _h	11,770	17,060
Total Watts	3,568	5,118
Heater Watts	3,450	5,000
Total Heating Amps	15	21.7
MCA	20	30
Recommend Protective Device (MOCP)	20 amp time delay fuse or breaker	30 amp time delay fuse or breaker

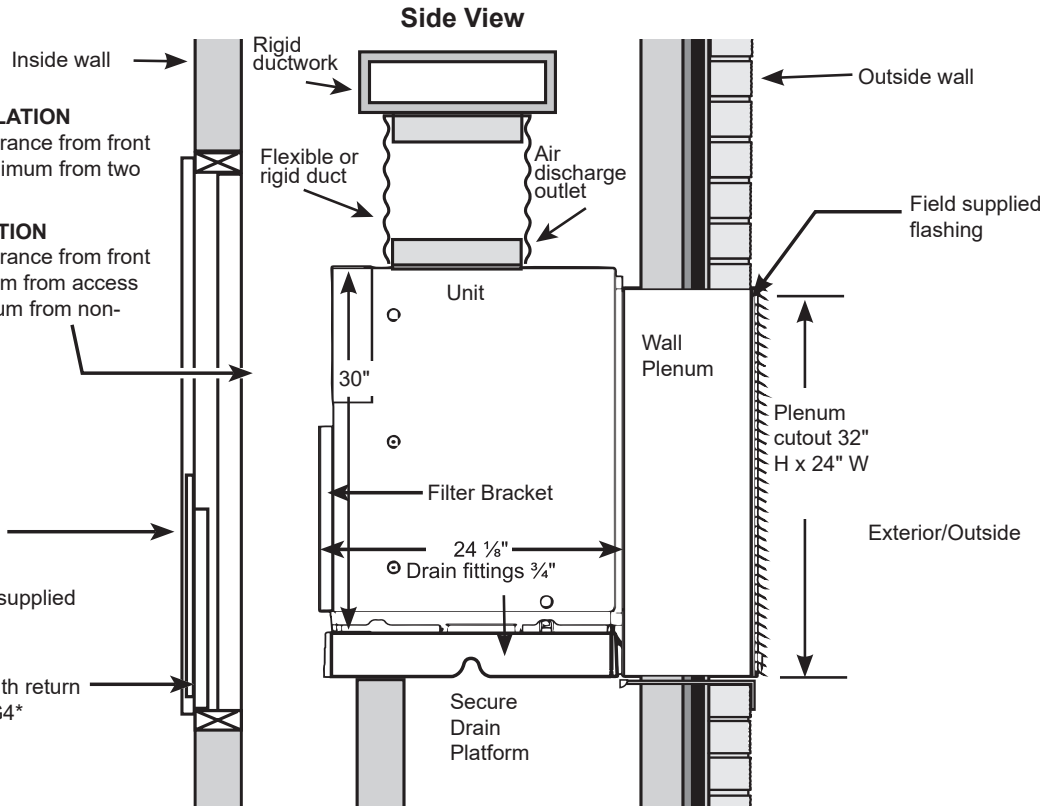
*230V Performance Data Listed

** 15 Amp power connection not available for 2-ton models

- **FRONT INSTALLATION**
– 3" minimum clearance from front of case and 3" minimum from two sides
- **SIDE INSTALLATION**
– 5" minimum clearance from front of case, 3" minimum from access side and 3" minimum from non-access side.

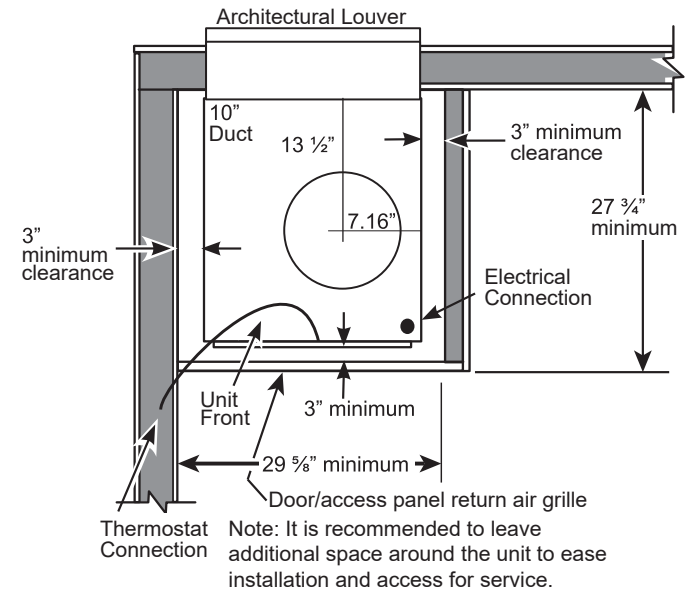
- Option 1**
Return air grille RAVRG2*
(used with field supplied closet door)
- Option 2**
Access panel with return air grille RAVRG4*

* Kits beginning with



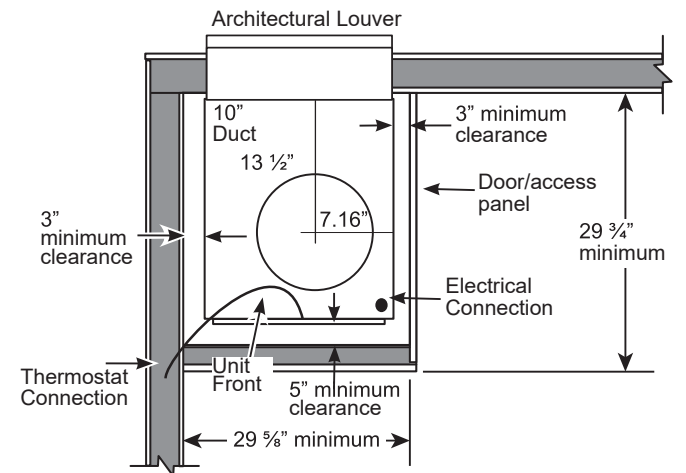
FRONT INSTALL

Top View

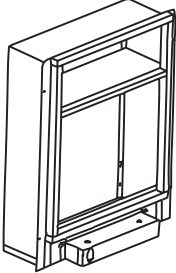

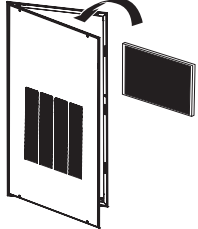
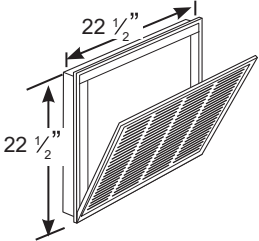
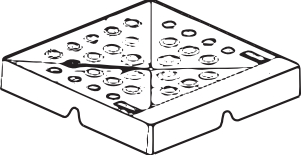


SIDE INSTALL

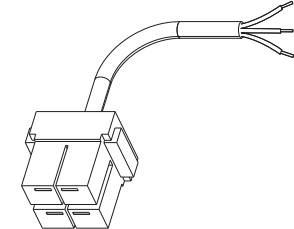
Top View



ACCESSORIES for NEW Installation

Accessory and model number	Appearance	Cutout Dimensions
Plenum (telescoping) RAVWPT9 or RAVWPT15		Cutout Dimensions: 24"W x 32"H
Architectural Louver RAVAL3		Architectural Louver designed to fit the following Plenums: RAVWPT9 RAVWPT15
Access Panel with Return Air Grille (optional) RAVRG4*		Cutout Dimensions: 28 $\frac{1}{8}$ "W x 55 $\frac{7}{8}$ "H
Return Air Grille (optional) RAVRG2*		Cutout Dimensions: 20 $\frac{3}{8}$ "W x 20 $\frac{3}{8}$ "H
Drain Platform RAVDPLAT		Not Applicable

Power Connection Required – Direct Connect



Options:

RAK320D – 230/208V, 20 Amp

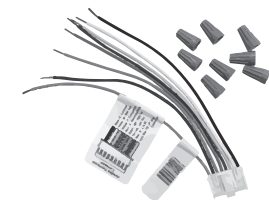
RAK330D – 230/208V, 30 Amp

Note: See page 1 for Electrical Data

Wall Thermostat (appearance may vary)



Options	Communication Type
RAK190V	Two Way, 4 wire
RAK150VF2	Standard, 8-wire



Optional Zoneline thermostat connector kit
 for non-GE Appliances wall thermostats:
 RAKTK8W1 - 8 pin / 8 wire (1 pack)
 RAKTK8W10 - 8 pin / 8 wire (10 pack)