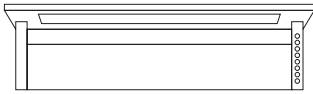


Backsplash ventilation
For recirculation air operation
Stainless steel
Width: 42"/54" (106/136 cm)



AT 400-700
Stainless Steel
42" (106 cm)

AT 400-730
Stainless Steel
54" (136 cm)

AT 400-700/730

- The extractor perfectly combined with the cooktop - Reduced to one air inlet where it makes most sense.
- Revolution in recirculation air ventilation technology, perfect for the island - As efficient and quiet as an air extraction system, but without the exhaust air ducts.
- Integrated workspace above the cooktop - ingredients or plates for serving within direct reach.

Features/accessories:
 Three electronically controlled speeds + intensive mode, interval ventilation, delayed shut-off function, grease filter saturation display. Centrifugal grease filter and grease drip trays, dishwasher-safe. Active charcoal odor filter mat. Fluorescent tube 30/36 W.

Max. air output:
 Recirculation: 465 CFM

Special accessories	AA 409-400 Furniture support 33 7/8" (86 cm) for AT 400-700.
	AA 409-430 Furniture support 45 11/16" (116 cm) for AT 400-730. Can also be used as bearer for the worktop instead of a cabinet frame, or can be placed on top of the fan housing, replacing the need for a cabinet base.
	AA 400-200 Glass cover, matt-finished, 42", thickness 1/4", with spacer.
	AA 400-230 Glass cover, matt-finished, 54", thickness 1/4", with spacer.
	AA 400-010 Beech cutting board, 11" deep, fits the workspace on top of the AT 400-700/730.
	AA 409-100 Active charcoal filter for AT 400-700
	AA 409-130 Active charcoal filter for AT 400-730
	AA 409-900 Telescopic extension for AT 400-700 by 4 5/16"
	AA 409-930 Telescopic extension for AT 400-730 by 4 5/16"
	AA 010-410 Air exhaust grille for AT 400-700/730. Stainless steel color, 36" (90 cm). Including installation fittings. Height adjustable.
	ZB 020-090 Additional louvre for air exhaust grille AA 010-410. Height 1 3/16" (30 mm), several louvres can be installed.

Planning notes:

AT 400-730 is designed for operation with three Vario 400 appliances. AT 400-700 for two Vario 400 appliances or cooktops up to 38" (95 cm) wide.

Operation of Vario appliances is not possible with fitted cover.
 The remaining surface of the worktop 2" between the recesses must be reinforced with a support. Furniture supports AA 409-400/430 can be used for this and to stabilize the cabinet.
 Hinges on swing doors may have to be repositioned. The opening in the lower cabinet shelf may be increased as long as the free minimum cross-section of 1.9 sq.ft. is maintained.

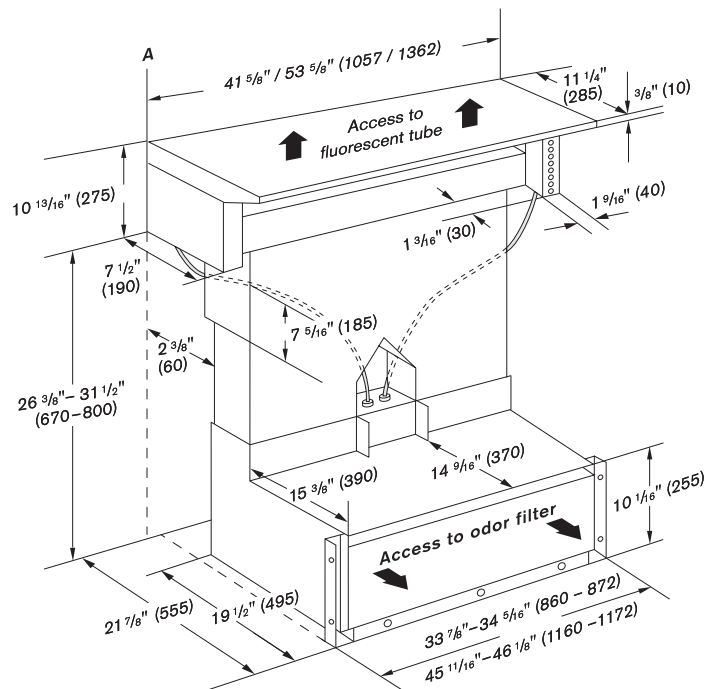
The exhaust outlet in the cabinetry toe kick should be as large as possible to minimize draughts. The location of the exhaust outlet in the cabinetry toe kick is consumer-defined.

The backsplash ventilation cover must remain removable to permit changing of the lamp.
 The connecting cables of the cooking appliances are laid through the middle of the air duct to the rear.
 Water in/outlet pipes must not be laid through the air duct.

Surfaces: Stainless steel 1.4301 ground and brushed IIIc.
 Recommendation for stainless steel parts positioned nearby that have to be welded and polished: Brushing with grain 280.

Total rating: 310/316 W.
120V / 60Hz
Connecting cable: 79" grounded plug (from middle of appliance).
Total Amps: 2.6/2.8

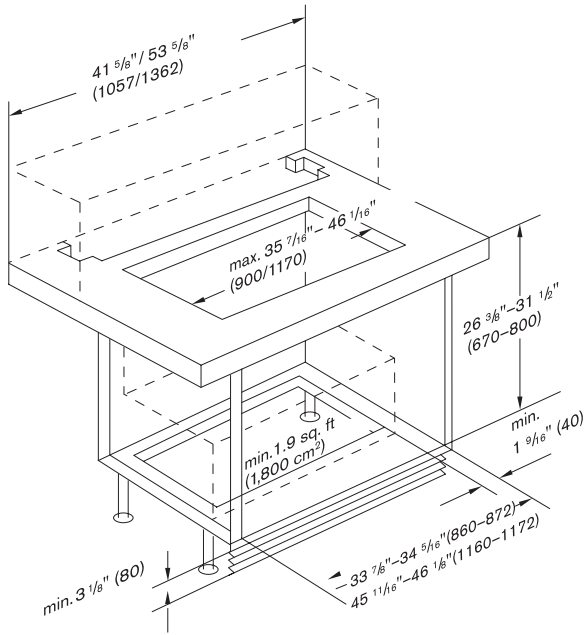
Rating:



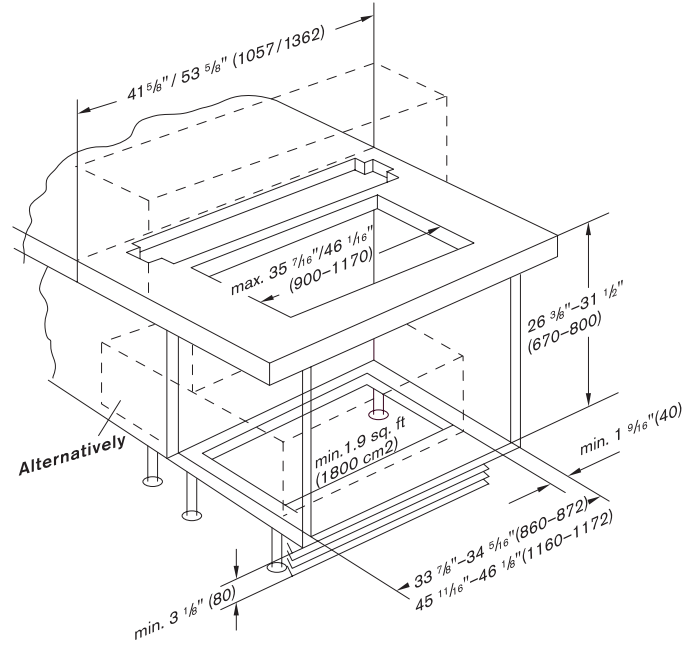
Numbers indicated inside parenthesis () = mm

Specifications are preliminary and are subject to change.

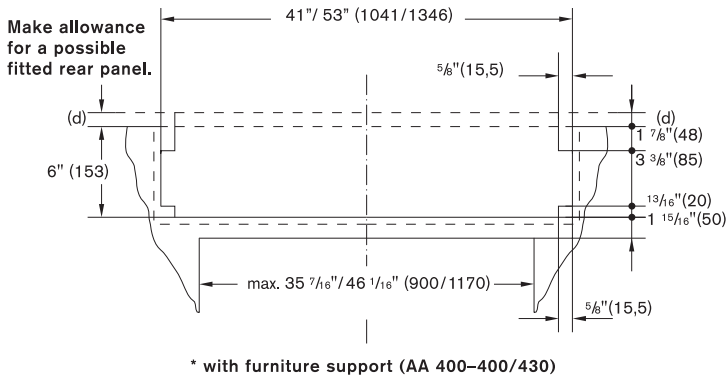
Cabinet opening – wall situation



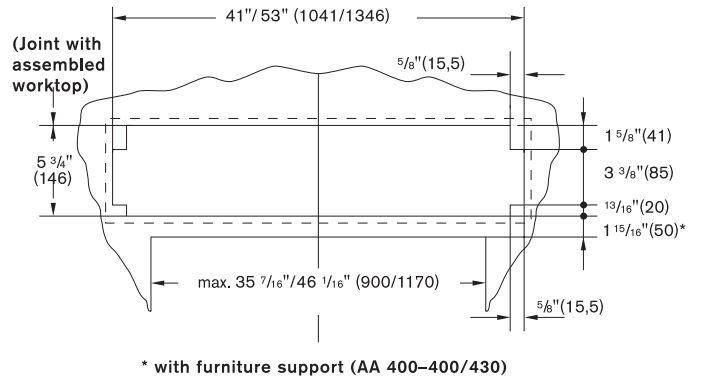
Cabinet opening for island situation



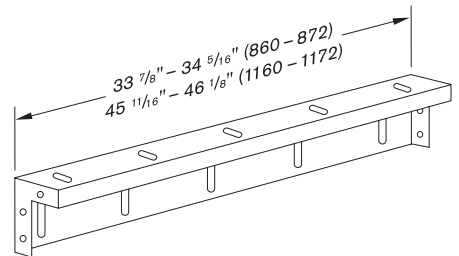
Opening dimensions in wall worktop



Opening dimensions in island worktop



AA 409-400/-430 Furniture support



Numbers indicated inside parenthesis () = mm