

Backsplash Ventilation AT 400-700/730

Table of Contents

Important Safety Instructions	4
Fire Safety	4
Child Safety	5
Cleaning Safety	5
Combination with a Gas Cooktop	5
Proper Installation and Maintenance	5
Operating for the First Time	6
Maintenance	6
Features of your New Appliance	7
Accessories	8
Special Accessories	8
Accessories for Installation	8
Operating Principle	9
Operation	10
Ventilation	10
Intensive Mode	10
Light	10
Special Functions	11
Setting the Intensive Mode Duration	11
Delayed Shutoff	11
Interval Ventilation	11
Cleaning and Care	12
Cleaning the Housing	12
Cleaning the Grease Filters	13
Replacing the Activated Carbon Filter	14
Replacing the Grease Fine Filter	14
Lamp Replacement	15



Important Safety Instructions

Fire Safety

Read and save these instructions.

Always have a working smoke detector near the kitchen.



WARNING – TO REDUCE THE RISK OF A GREASE FIRE:

- a) Never leave surface units unattended at high settings. Boilovers cause smoking and greasy spillovers that may ignite. Heat oils slowly on low or medium settings.
- b) Always turn hood ON when cooking at high heat or when flambéing food (i.e. Crepes Suzette, Cherries Jubilee, Peppercorn Beef Flambé).
- c) Clean ventilating fans frequently. Grease should not be allowed to accumulate on fan or filter.
- d) Use proper pan size. Always use cookware appropriate for the size of the surface element.

In the event that personal clothing or hair catches fire, drop and roll immediately to extinguish flames.

Smother flames from food fires other than grease fires with baking soda. Never use water on cooking fires.



WARNING – TO REDUCE THE RISK OF INJURY TO PERSONS IN THE EVENT OF A GREASE FIRE, OBSERVE THE FOLLOWING:

- a) SMOTHER FLAMES with a close-fitting lid, cookie sheet, or metal tray, then turn off the burner. BE CAREFUL TO PREVENT BURNS. If the flames do not go out immediately, EVACUATE AND CALL THE FIRE DEPARTMENT.
- b) NEVER PICK UP A FLAMING PAN – You may be burned.
- c) DO NOT USE WATER, including wet dishcloths or towels – a violent steam explosion will result.
- d) Use an extinguisher ONLY if:
 - 1) You know you have a Class ABC extinguisher, and you already know how to operate it.
 - 2) The fire is small and contained in the area where it started.
 - 3) The fire department is being called.
 - 4) You can fight the fire with your back to an exit.

Whenever possible, do not operate the ventilation system during a cooktop fire. However, do not reach through fire to turn it off.

Only operate the backsplash ventilation with the florescent lamp fitted.

Use pots which fit the appliance. The top of the pot should not touch the top of the ventilator.



Important Safety Instructions

Child Safety

When children become old enough to use the appliance, it is the legal responsibility of the parents or legal guardians to ensure that they are instructed in safe practices by qualified persons.

Do not allow anyone to climb, stand, lean, sit, or hang on any part of an appliance, especially a door, warming drawer, or storage drawer. This can damage the appliance, and the unit may tip over, potentially causing severe injury.

Do not allow children to use this appliance unless closely supervised by an adult. Children and pets should not be left alone or unattended in the area where the appliance is in use. They should never be allowed to play in its vicinity, whether or not the appliance is in use.

CAUTION – Items of interest to children should not be stored in an appliance, in cabinets above an appliance or on the backsplash. Children climbing on an appliance to reach items could be seriously injured.

Cleaning Safety

WARNING – Be sure the entire appliance (including the grease filters and light bulbs, if applicable) has cooled and grease has solidified before attempting to clean any part of the appliance.

Do not pour any liquid into the housing. If liquid accidentally enters the housing, it will come out at the base. You can continue using the appliance.

Combination with a Gas Cooktop

When operating a gas cooktop in combination with the backsplash ventilation, the AA 409-200/230 glass cover (special accessory to be ordered separately) must be placed on top of the backsplash.

CAUTION – The housing of the backsplash ventilation and the lamp cover will get hot during use.

WARNING – Do not place the AA 400-010 wooden cutting board or any other inflammable objects on top of the backsplash during use.

Proper Installation and Maintenance

Have the installer show you the location of the circuit breaker or fuse. Mark it for easy reference.

This appliance must be properly installed and grounded by a qualified technician. Connect only to properly grounded outlet. Refer to Installation Instructions for details.

This appliance is intended for normal family household use only. It is not approved for outdoor use. See the Warranty. If you have any questions, contact the manufacturer.

Do not store or use corrosive chemicals, vapors, flammables or nonfood products in or near this appliance. It is specifically designed for use when heating or cooking food. The use of corrosive chemicals in heating or cleaning will damage the appliance and could result in injury.

Before servicing or cleaning unit, switch power off at service panel.

Do not operate this appliance if it is not working properly, or if it has been damaged. Contact an authorized service center.

Do not repair or replace any part of the appliance unless specifically recommended in this manual. Refer all servicing to a factory authorized service center.

CAUTION – Grease left on filters can remelt and move into the vent.

Operating for the First Time

Remove the packaging from the appliance and dispose of it according to local regulations. Be careful to remove all accessories from the packaging. Keep packaging elements and plastic bags away from children.

The appliance must be installed and connected by an authorized specialist before operation. Observe the installation instructions!

Thoroughly clean the appliance and accessories before using them for the first time. This will eliminate any 'newness' smells and soiling.

When installing together with Vario appliances, the appliance cover (VD 400) needs to be removed. The frying basket holder cannot be used when operating the deep fryer VF 411 in front of the backsplash ventilation.

Maintenance

If the appliance does not function correctly, check the household fuses first.

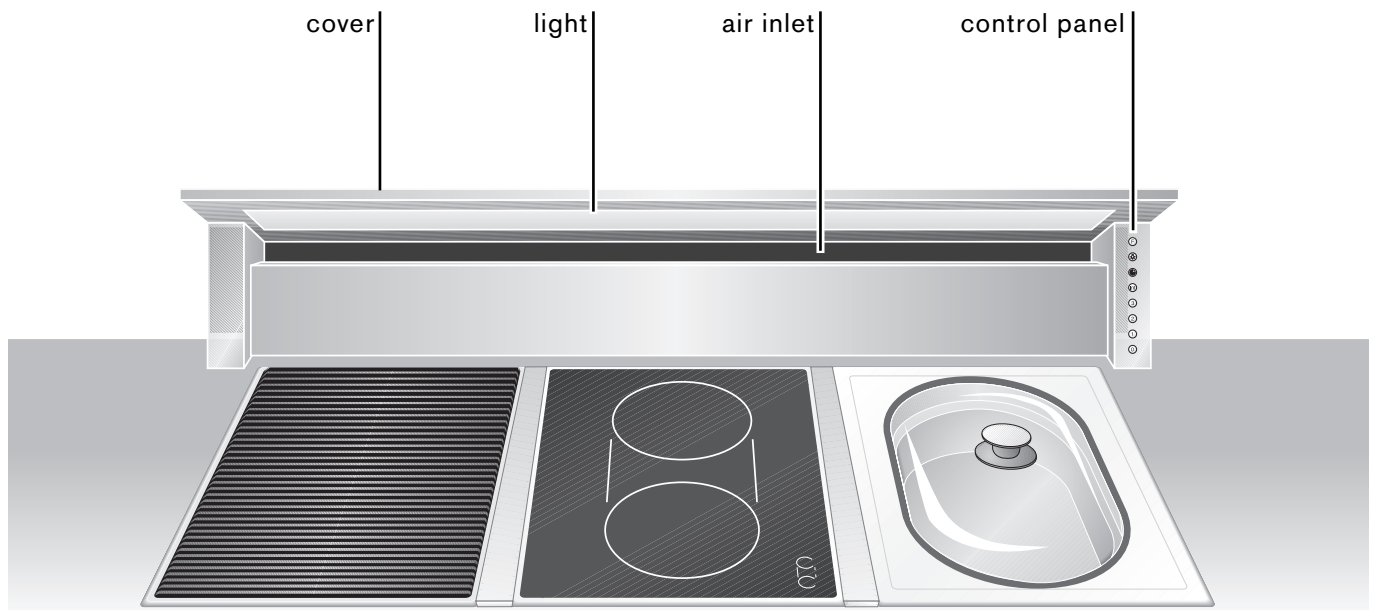
If the power supply is functioning correctly, but your appliance still does not work, please contact your Gaggenau dealer who will provide you with the address and telephone number of your nearest manufacturer's authorized service agent or contact **Gaggenau USA on 877.4GAGGENAU**. Specify the appliance type (see identification plate).

Repairs may only be carried out by licensed technicians, in order to guarantee the safety of the appliance.

Non compliance with these recommendations results in the warranty coverage becoming invalid.

Features of your New Appliance

Combination of AT 400-730 with three Gaggenau Vario 400 series appliances



Control Panel

ⓕ	grease filter saturation display
Ⓛ	light
Ⓢ	delay shut off
Int	intensive mode
3	ventilation level 3
2	ventilation level 2
1	ventilation level 1
0	ventilation off

Accessories

Special Accessories

You can order the following special accessories:

- **AA 409-100:** Activated carbon filter and grease fine filter for AT 400-700
- **AA 409-130:** Activated carbon filter and grease fine filter for AT 400-730
- **AA 400-200:** Glass cover, frosted, 41 5/8" (106 cm), thickness 1/4" (6 mm) with spacers
- **AA 400-230:** Glass cover, frosted, 53 5/8" (136 cm), thickness 1/4" (6 mm) with spacers
- **AA 400-010:** Wooden cutting board, beech, 20 7/8" (53 cm)

Accessories for Installation

You can order the following accessories for installation:

- **AA 409-400:** Furniture support 33 7/8" (86 cm) for AT 400-700
- **AA 409-430:** Furniture support 45 11/16" (116 cm) for AT 400-730

Recommended as bearer for the countertop, instead of a cabinet frame, or to support the fan housing, replacing the need for a cabinet base.

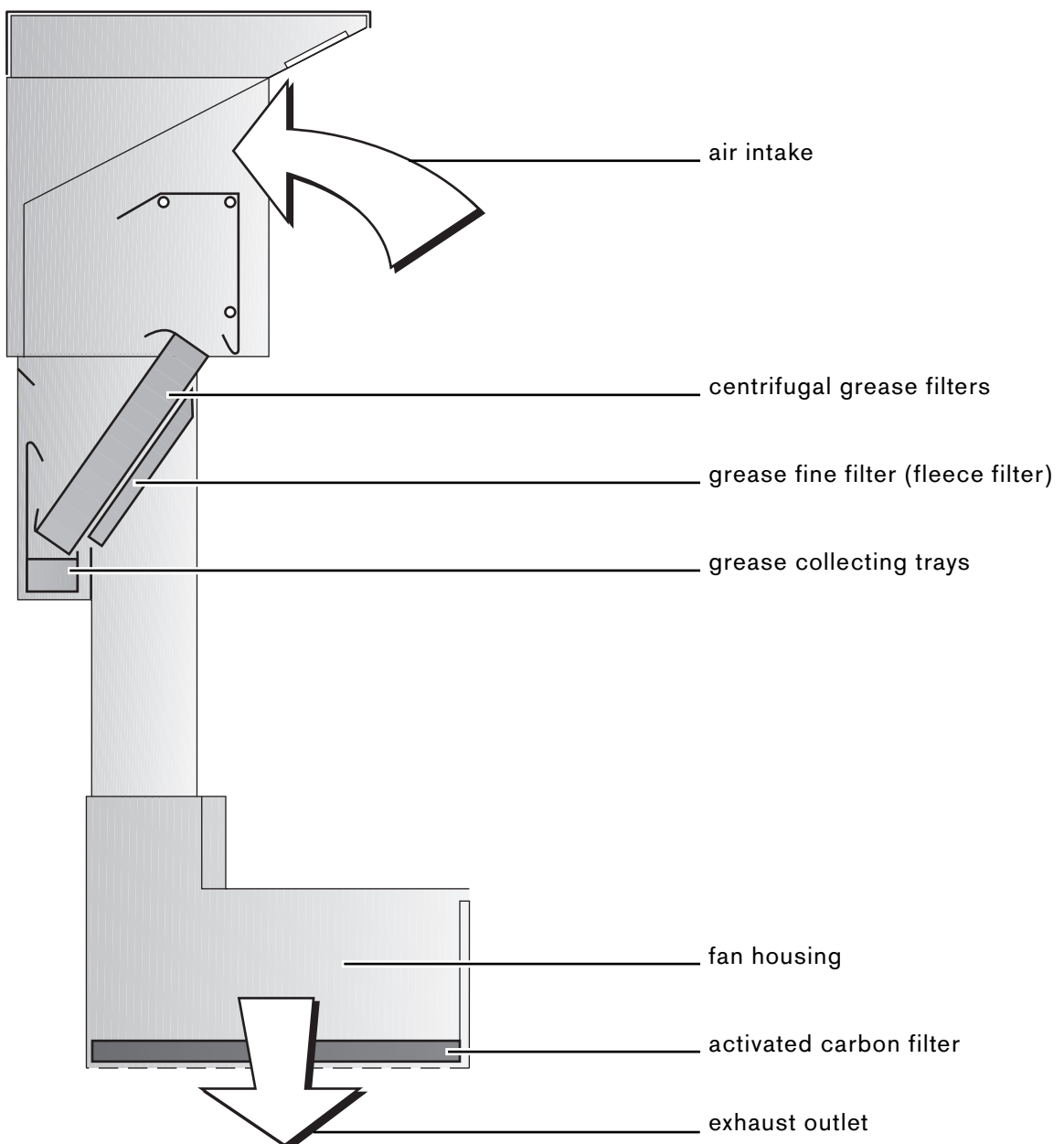
- **AA 409-900:** Telescopic extension for AT 400-700
- **AA 409-930:** Telescopic extension for AT 400-730

Telescopic extension max. 4 5/16" (110 mm) between backsplash ventilation and fan housing.

- **AA 010-410:** Air exhaust grille for AT 400-700/730. Stainless steel color, 36" (90 cm). Including installation fittings. Height adjustable.
- **ZB 020-090:** Additional louvre for air exhaust grille AA 010-410. Height 1 3/16" (30 mm), several louvres can be installed.

Operating Principle

The backsplash ventilation is an effective air recirculation system, which extracts the vapors directly behind the cooktop towards the rear. The centrifugal grease filters separate the greasy components from the extracted air. The grease is collected in the trays. The grease fine filter absorbs any remaining grease particles. The activated carbon filter in the fan housing traps odors, the exhaust outlet for the clean air is in the furniture cabinetry toekick.

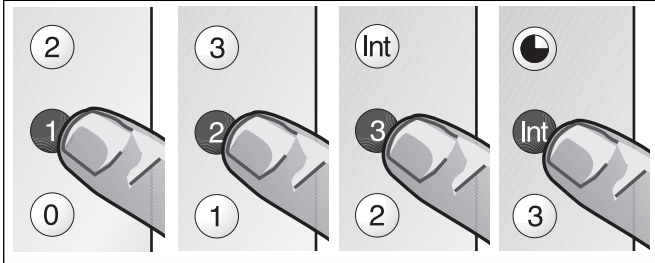


Operation

When pressed, all function selection keys are backlit in green, except 0 ("Motor off").

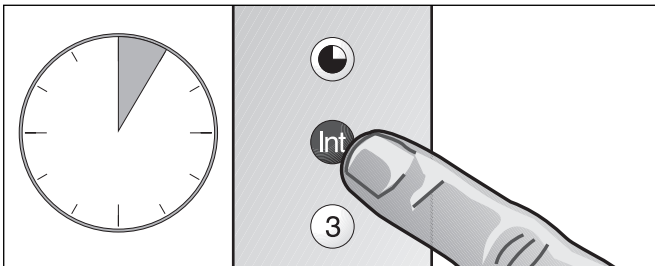
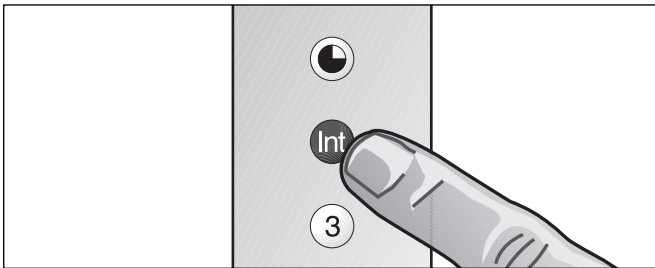
Ventilation

Three fan speeds and one intensive speed are available. You set the fan speed required for each respective cooking process by pressing the function selector keys **1**, **2**, **3** or **Int**.

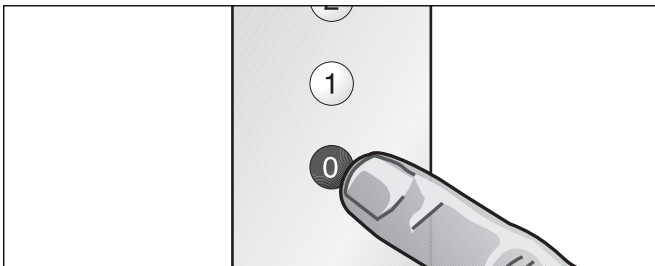


Intensive Mode

The **Int** key for the intensive level should be pressed when browning and frying in an open pan. If you have switched on the ventilator by selecting the intensive level, it will be switched off again automatically after 5 minutes.




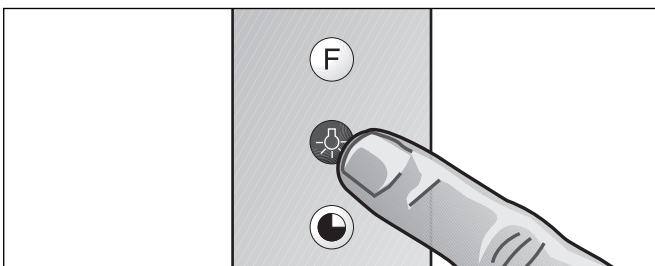
If you press the **Int** key while the ventilator is running at fan level **1**, **2** or **3**, the electronic control will switch back automatically to the previously selected fan level after 5 minutes.



If you would like to end the intensive level before the 5 minutes have elapsed, press the **0** key ("Motor off") or select a different level. It is possible to switch off the fan at any time by pressing the **0** key ("Motor off").

Light

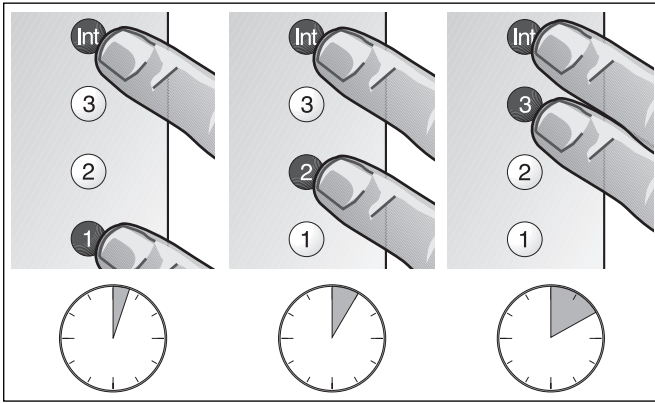
The lighting can be switched on or off, regardless of whether the backsplash ventilation is in operation, by pressing the  key.



Special Functions

Setting the Intensive Mode Duration

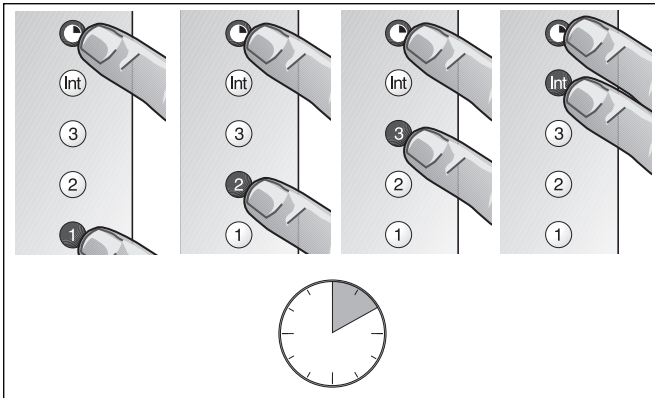
You can select an intensive level running time of 3, 5 or 10 minutes by simultaneously pressing the **Int** key and the **1**, **2** or **3** key. When delivered, the appliance is set to five minutes, i.e. the combination of the **Int** key and the key **2**.



Delayed Shutoff

Delayed shutoff is possible at any level. First press the required key **1**, **2**, **3** or **Int** and then press the **⏻** key.

The delayed shutoff time for all levels is ten minutes. After these ten minutes, the fan switches off, but the lighting stays on.

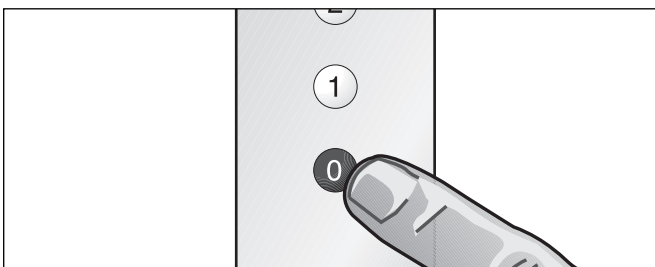
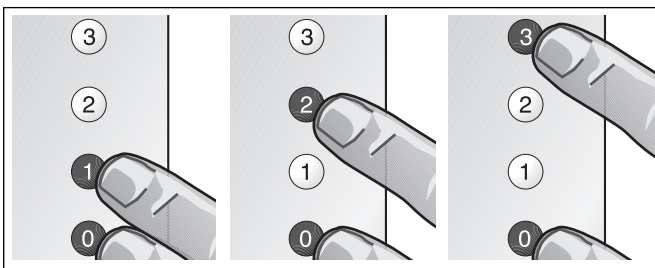


Interval Ventilation

Interval ventilation is a special feature of this appliance which periodically activates the fan for five minutes every hour. You can activate this function by simultaneously pressing the **0** key and, depending on the required extraction capacity, the **1**, **2** or **3** key.

This mode of operation is indicated by alternating illumination of the **⏻** key together with the corresponding fan level indicator.

You can switch off interval ventilation by pressing the **0** key.

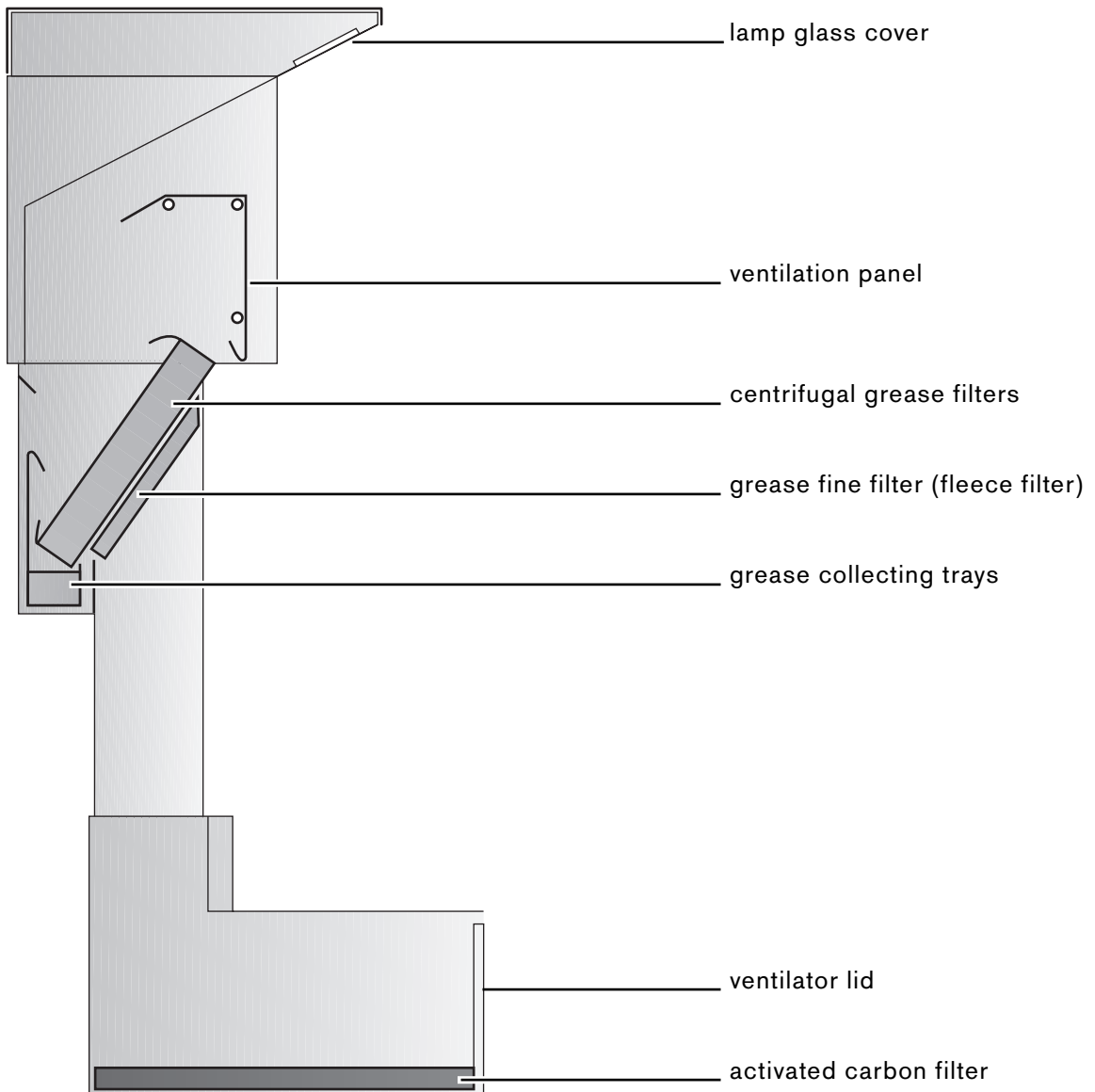


Cleaning the Housing

Clean the stainless steel surface of the ventilator housing with mild detergent solution or a non-scouring stainless steel cleaner. Only wipe in the direction of the brushed surface. To finish, apply some stainless steel care agent with a soft cloth.

Do not use aggressive, abrasive or caustic cleaning agents. Do not use cleaning agents that contain sand or chloride. Do not use scouring pads or brushes.

Use glass cleaner and a soft cloth to clean the lamp glass cover. Do not put stainless steel cleaner onto the lamp glass cover.



Cleaning the Grease Filters

The grease filter saturation display F flashes after an operating time of 10 hours to indicate that you should clean the grease filters.

Depending on the cooking habits it may be necessary to clean the grease filters at shorter intervals (for example if kitchen smells appear when the ventilation is switched off).

The centrifugal grease filters can be easily removed for cleaning:

- 1 Disconnect the appliance from the power supply (switch off fuse).
- 2 Tilt the ventilation panel to the rear. For easier cleaning you can remove the panel: On both sides of the panel at the top, lift over the studs and remove to the front.
- 3 Remove the centrifugal grease filters one by one (from right to left).
- 4 Remove the grease collecting trays (from right to left) and empty.

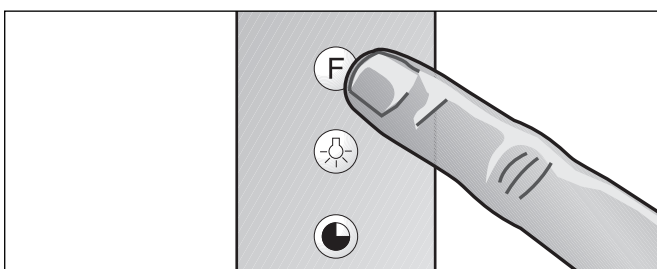
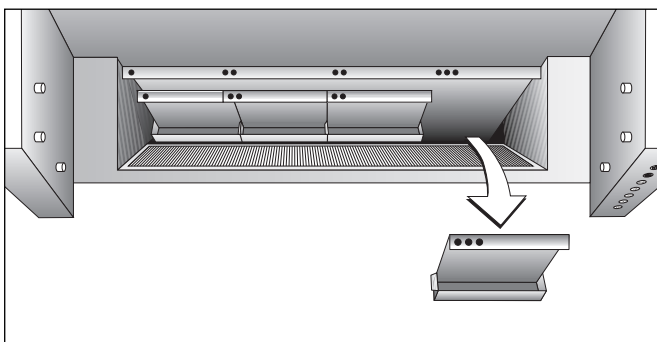
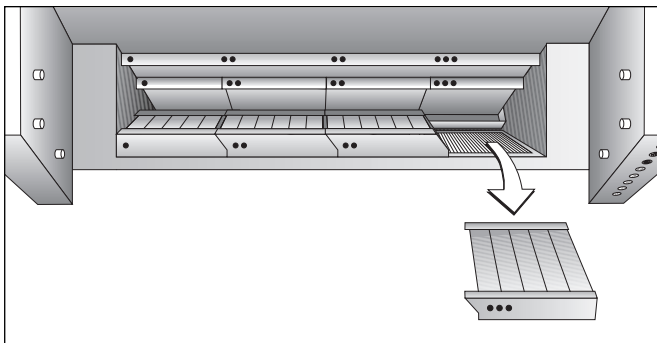
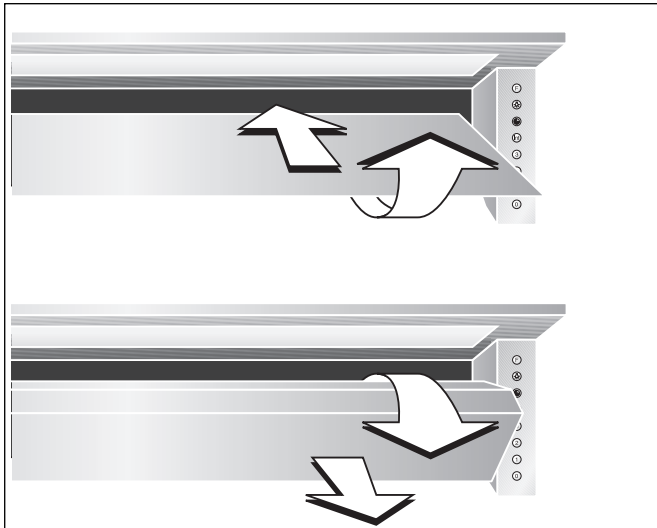
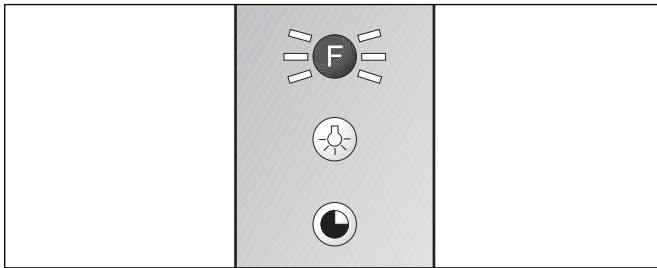
You can clean the centrifugal grease filters and the grease collecting trays in a dishwasher. Place the filters upright in the dishwasher, with the opening face down.

Wipe out the inner parts of the housing with a moist cloth and some detergent when removing the filters. **Caution:** Beware of protruding parts when cleaning the inside of the housing.

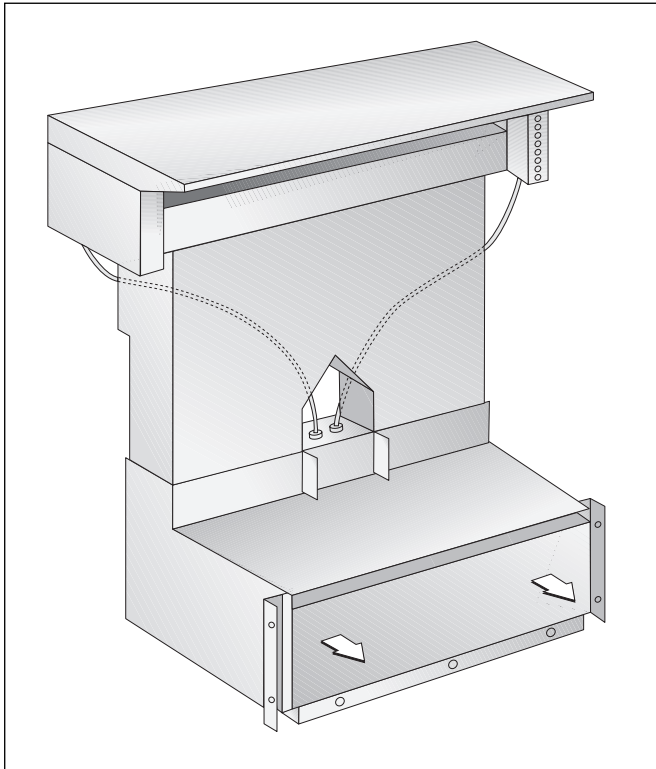
Do not pour any liquid into the housing. If liquid accidentally enters the housing, it will reappear at the base.

Refit the grease filters in the correct order (from left to right). Refit the parts so that the markings correspond with the markings on the housing.

Press the F key to reset the counter. Flashing of the indicating lamp goes off.



Replacing the Activated Carbon Filter



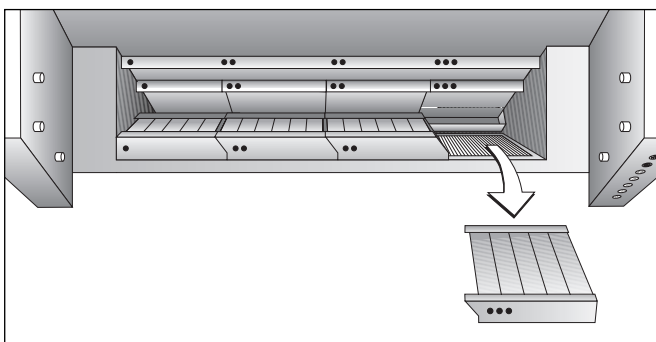
The activated carbon filter in the fan housing (lower part of the appliance) eliminates smells from the extracted air. For hygienic reasons, change the activated carbon filter together with the grease fine filter at least every six months or when kitchen smells appear. The activated carbon filter with the grease fine filter is available from your specialist dealer. Only use original filters.

Note: If no activated carbon filter is fitted or if it is saturated, no odors can be removed from the circulating air.

- 1 Disconnect the appliance from the power supply (switch off fuse).
- 2 Open the latches on the bottom of the fan housing. Take off the ventilator lid by pulling the bottom edge.
- 3 Remove activated carbon filter. Insert new activated carbon filter. The filter mat must lie flat.
- 4 Refit the ventilator lid.

Activated carbon filters do not contain any polluting substances. They can be disposed of through the household refuse collection.

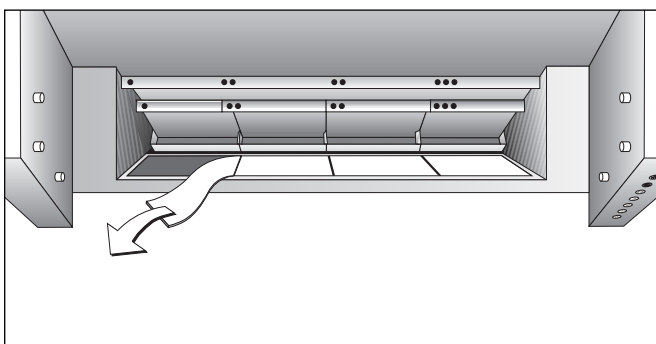
Replacing the Grease Fine Filter



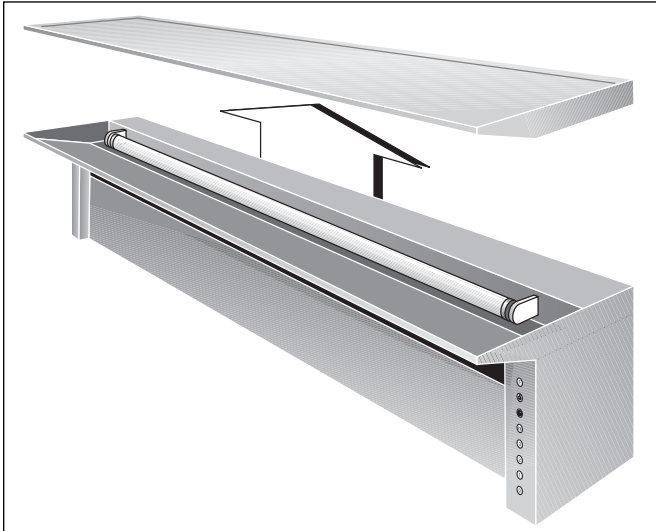
The grease fine filter (fleece filter) is fitted behind the centrifugal grease filters.

- 1 Disconnect the appliance from the power supply (switch off fuse).
- 2 Tilt the ventilation panel to the rear.
- 3 Remove the centrifugal grease filters one by one (from right to left).
- 4 Pull out the grease fine filter from the mounting.
- 5 Push the new grease fine filter under the braces. Refit the centrifugal grease filters in the reverse order (from left to right).

Grease fine filters do not contain any polluting substances. They can be disposed of through the household refuse collection.



Lamp Replacement



Wait until the appliance has cooled down before replacing lamp.

- 1** Disconnect the appliance from the power supply (switch off fuse).
- 2** Remove loose objects from the cover.
- 3** Lift off cover.
- 4** First turn florescent lamp in the socket, then lift off fluorescent lamp.
- 5** Only replace defective fluoresent lamp by lamp of the same type.
- 6** Insert the new fluorescent lamp into the socket. Turn the fluorescent lamp in the socket until it engages.
- 7** Evenly replace cover onto the appliance.
- 8** Connect the unit to the power supply again.

Gaggenau

780 Dedham Street
Canton, MA 02021
Telephone: 877.4GAGGENAU
USA
www.gaggenau-usa.com

Gaggenau Hausgeräte GmbH

Carl-Wery-Straße 34
81739 München
Germany
www.gaggenau.com

9000176721 EB 8702 enUS

GAGGENAU