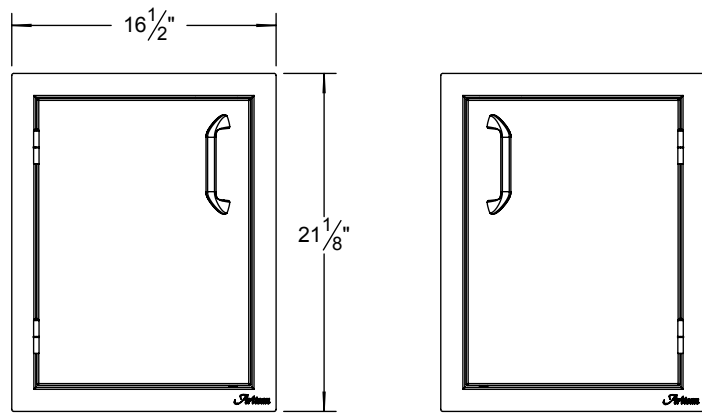


ART - ACCESS DOOR TYPICAL INSTALLATION

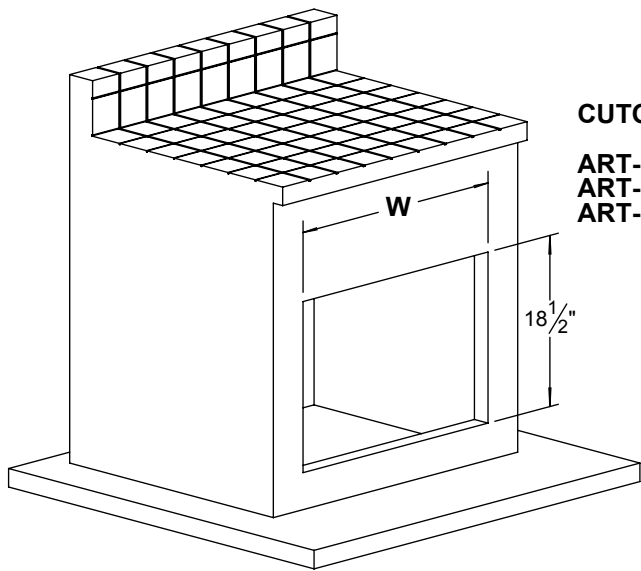
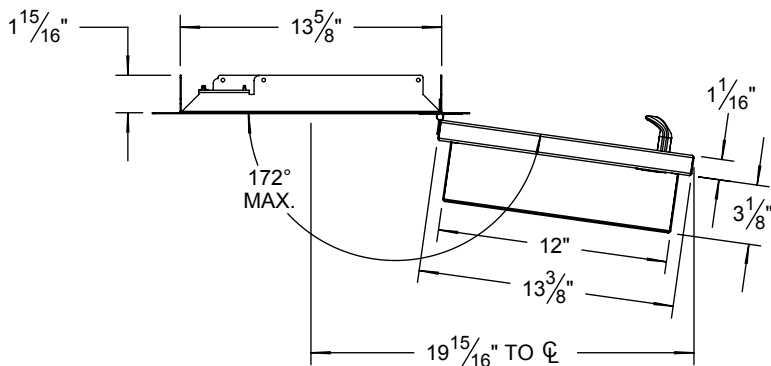
COUNTER FRONT CUTOUT REQUIREMENTS



ART-SDL

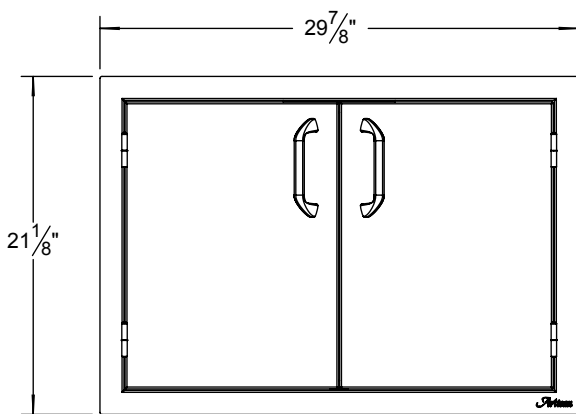
ART-SDR

TOP VIEW: DIMENSIONS APPLY TO ART-SDL / SDR



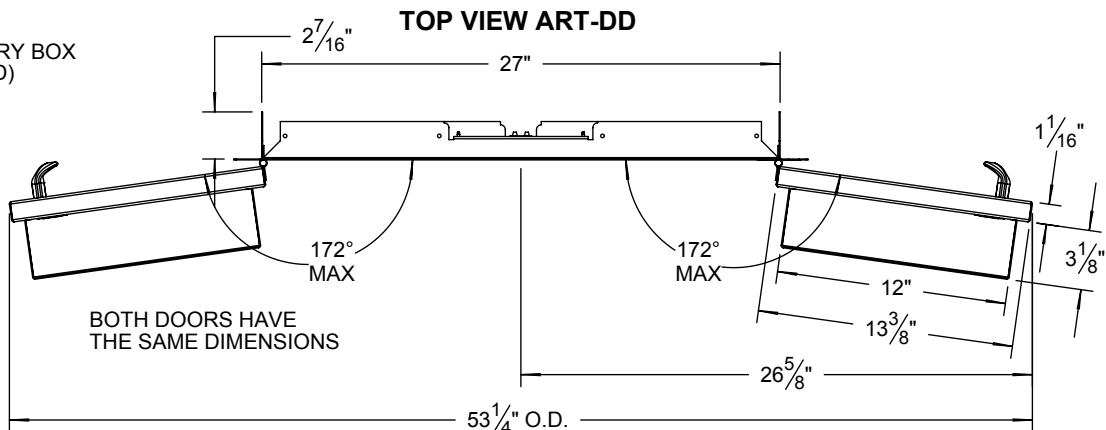
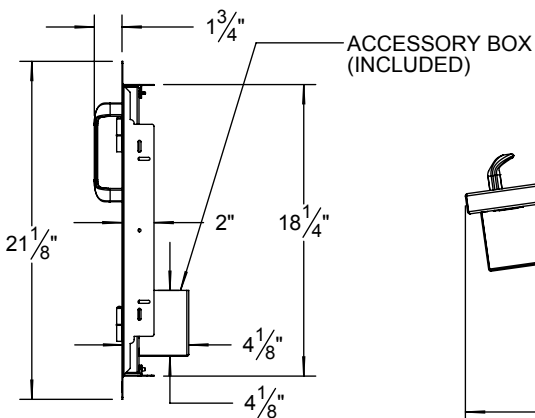
CUTOUT WIDTH (W):

- ART-SDL: 13-7/8"**
- ART-SDR: 13-7/8"**
- ART-DD: 27-1/4"**



ART-DD

PROFILE (ALL DOORS)



BOTH DOORS HAVE THE SAME DIMENSIONS



THE INFORMATION CONTAINED IN THIS DRAWING IS THE SOLE PROPERTY OF SUPERIOR EQUIPMENT SOLUTIONS INC. ANY REPRODUCTION IN PART OR AS A WHOLE WITHOUT WRITTEN PERMISSION FROM SUPERIOR EQUIPMENT SOLUTIONS, INC. IS PROHIBITED.

DRAWN BY: ADRIAN CRISCI
CREATED: 1/16/2014 3:43:44 PM

PROJECT TITLE:
ART DOORS

DRAWING TITLE:
ART - ACCESS DOOR SPECIFICATIONS

DRAWING NO.:
ART DOORS

SHEET 1 OF 1