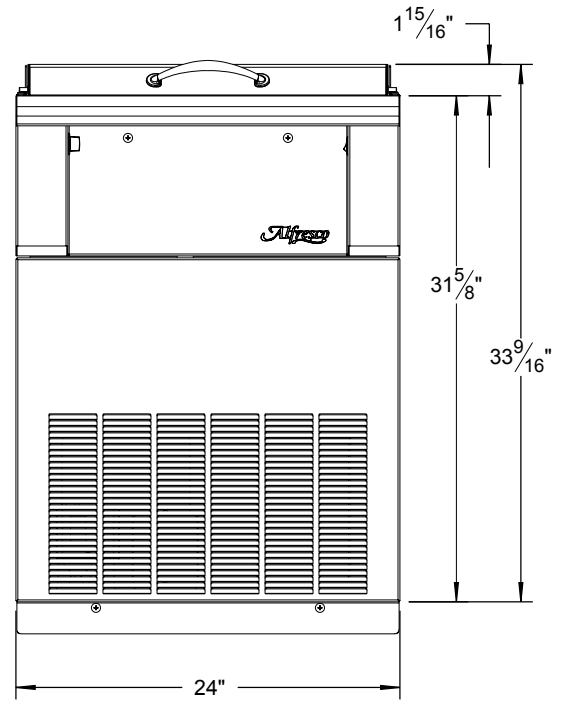
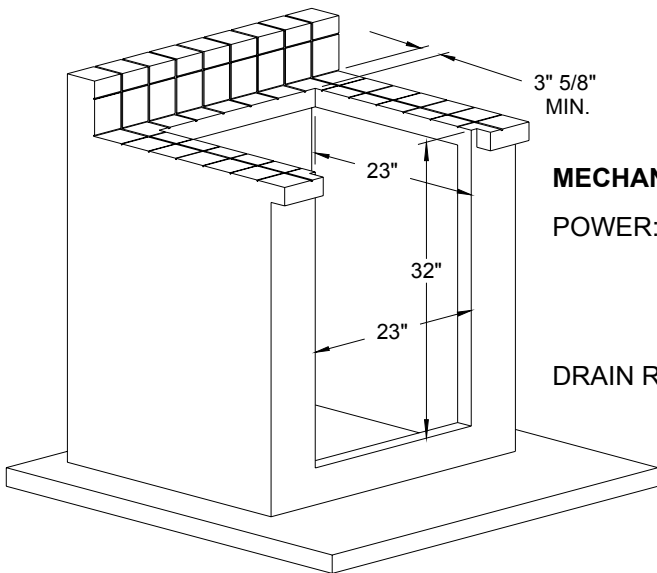


ARDI TYPICAL INSTALLATION



COUNTERTOP CUTOUT REQUIREMENTS



MECHANICAL REQUIREMENTS:

POWER: 115 VAC / 1Ø - 60 HZ
 6.0 AMPS
 GROUNDED NEMA 5-15
 RECEPTABLE
 GFCI RECOMMENDED.

DRAIN REQUIRED.

