



#### 400 series internal blower

##### AR 400

- Powerful blower for combination with 400 series AW/AI 442 wall and island hood
- Quiet blower with high-efficiency BLDC technology
- Compact and space-saving due to the installation in the duct cover of AI/AW 442 island/wall hood

#### Output

3 performance output levels and Intensive mode: Sound power and sound pressure depending on built-in situation.

Air extraction: 600 CFM

Power levels depend on the power levels of the AW/AI 442 wall/island hood.

#### Features

3 electronically controlled power levels and one intensive mode. Blower technology with highly efficient, brushless DC motor (BLDC). Including sound insulation to minimize the noise level. Metal housing, zinc-plated. Duct connection piece on air output side: 1 x  $\varnothing$  6" round.

#### Planning notes

Blower can only be combined with blowerless AI/AW 442 island/wall hood.

Connection to the respective appliances via network cable.

Installation in the duct cover of AI/AW 442 island/wall hood.

When installing a ventilation hood with air extraction mode and a chimney-vented fireplace, the power supply line of the ventilation appliance needs a suitable safety switch.

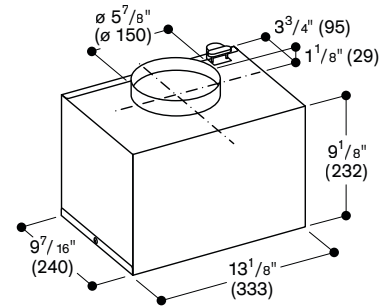
#### Rating

Total rating: 200 W.

Total Amps: 2 A.

120 V / 60 Hz

Connecting and network cable are included with the blower.



#### AR 400 743

Metal housing

600 CFM

Air extraction / recirculation

Internal blower can only be used with 400 series AI/AW 442 island/wall hood

For installation in the duct cover