

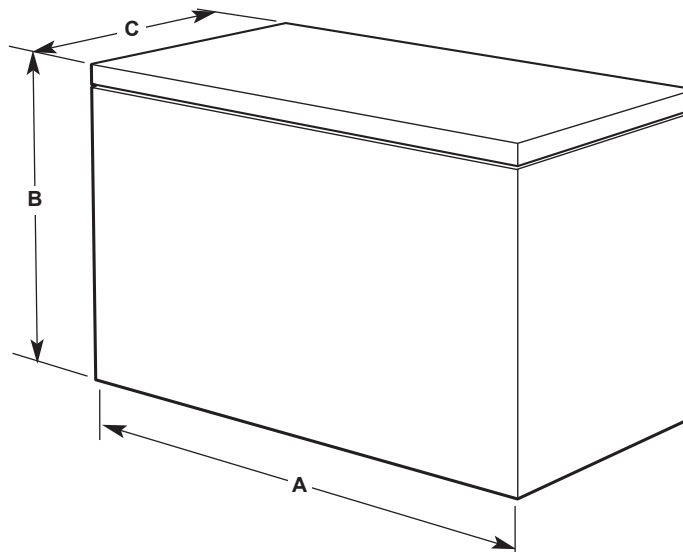
Amana[®] Chest Freezer

PRODUCT MODEL NUMBERS

AQC0722BRW
 AQC1526BEW
 AQC2227BRW

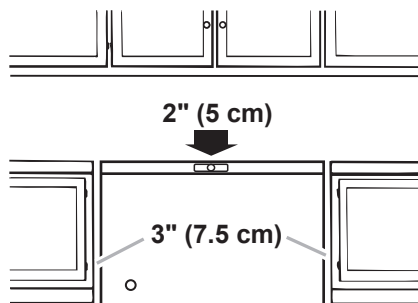
Electrical: A 115 Volt, 60 Hz., AC only 15 or 20 amp fused (or circuit breaker), grounded electrical supply is required. It is recommended that a separate circuit serving only your freezer be provided. Use an outlet that cannot be turned off by a switch. Do not use an extension cord.

OVERALL DIMENSIONS



Model	Width "A"	Height "B"	Depth "C"
AQC0722BRW	42.1"	34.7"	24.2"
AQC1526BEW	46.1"	34.7"	29.5"
AQC2227BRW	64.9"	34.7"	29.5"

LOCATION REQUIREMENTS



Allow at least 3 in. (7.5 cm) of air space on both sides of the freezer and 2 in. (5 cm) between the back of the freezer and the wall. Leave room above the freezer to open the lid.

Your freezer operates most efficiently when located in an area where the temperature is normally between 32°F (0°C) and 110°F (43°C).

Do not install the freezer near an oven, radiator or other heat source.