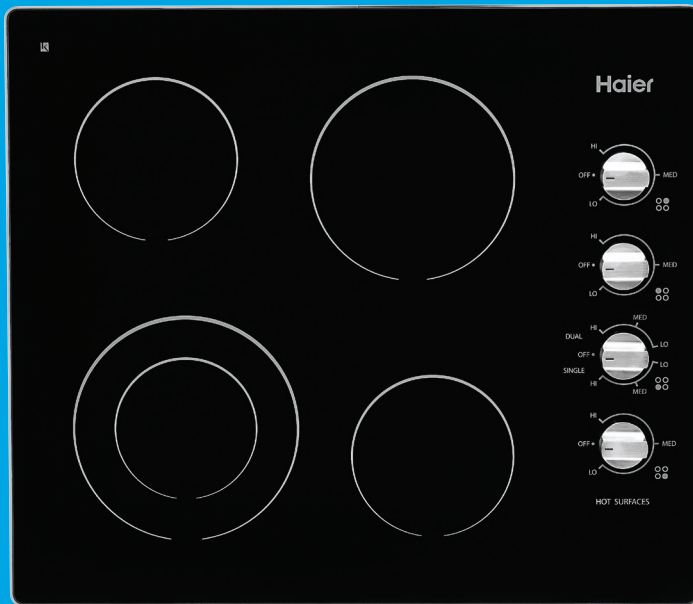


24" Electric Cooktop

HCC2220BEB

Available



Unit Specifications

Width	24"
Depth	21 1/4"
Height	3 3/4"
Weight	22 lbs.
UPC	688057374628

More Easy-To-Use Features

- Four Elements with Different Sizes and Temperature Levels
- Front Left Dual Element
Size 6" - 9"
Power 1,400W/3000W
- Rear Left Element
Size 8"
Power 1,800W
- Rear Right Element
Size 8"
Power 1,800W
- Front Right Element
Size 6"
Power 1,200W
- Hot Surface Indicator

Signature Features

Smooth Ceramic Glass Cooking Surface

Features an easy-to-clean surface that makes mealtime more effortless

Dual Left Front Element

Enables the use of variously sized cookware on one element

Heavy Duty Metal Knobs

Combine high-end appearance and simple functionality

Hot Surface Indicator

Illuminates to show when a cooking area is on or hot

Warranty

- 2 Year Warranty (Parts and Labor)

Available Finishes

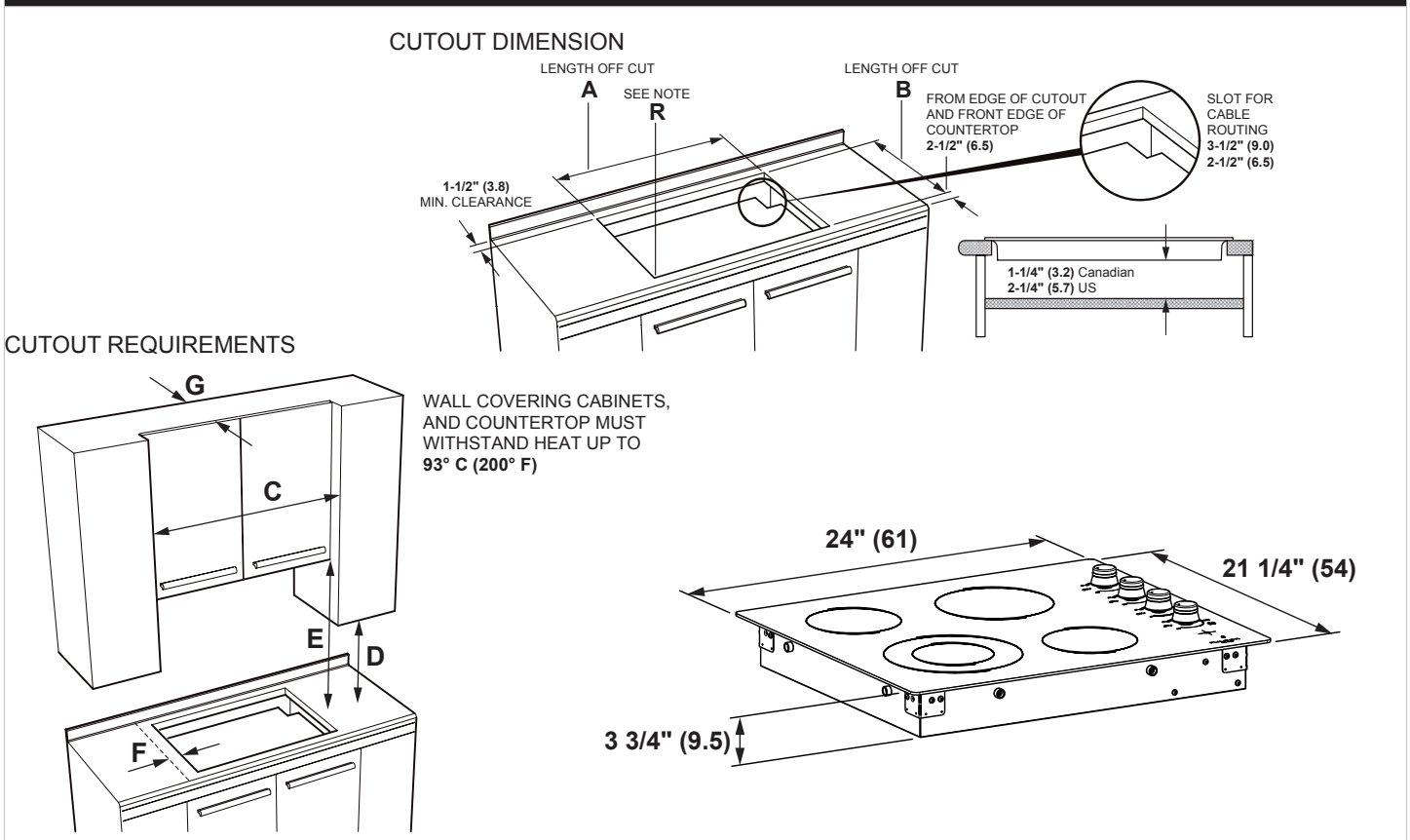


Black Ceramic Glass

Letter	Cutout Dimensions	in.
A	Cutout Width	23 1/4"
B	Cutout Depth	20 1/2"
C	Opening Between Cabinets	Min 24"
D	Height from countertop to nearest cabinet	Min 18"
E	Clearance from countertop to overhead surface	Min 30"
F	Clearance from cutout to side wall	Min 2"
G	Depth of overhead cabinets	Min 13"

Power/Ratings (208/240V, 60Hz)	
kW/Amps Ratings at 240V / 60Hz	7.8kW / 32.5 Amps
kW/Amps Ratings at 208V / 60Hz	5.9kW / 24.6 Amps

Product Technical Illustration



General Appliance Information

Please read all installation details and instructions before use.

Contact Us

For questions regarding this product please refer to our website at haieramerica.com or call our customer service center at 877-337-3639.

