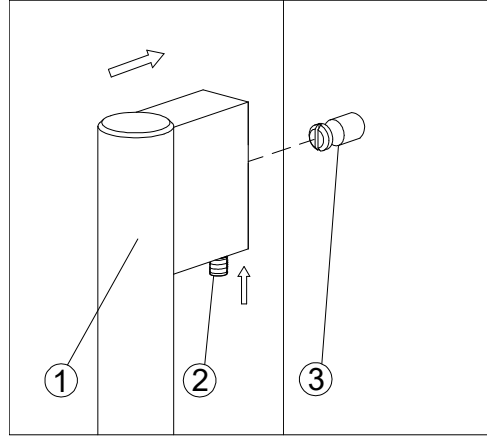


## Installing a Stainless Steel Handle

This appliance includes a stainless steel handle that is not required to operate the unit. To install the handle, follow the instructions below:

Place the handle (1) over the mounting stub (3) of the door and using the supplied Allen key, tighten the securing grub screws (2) to affix the handle.

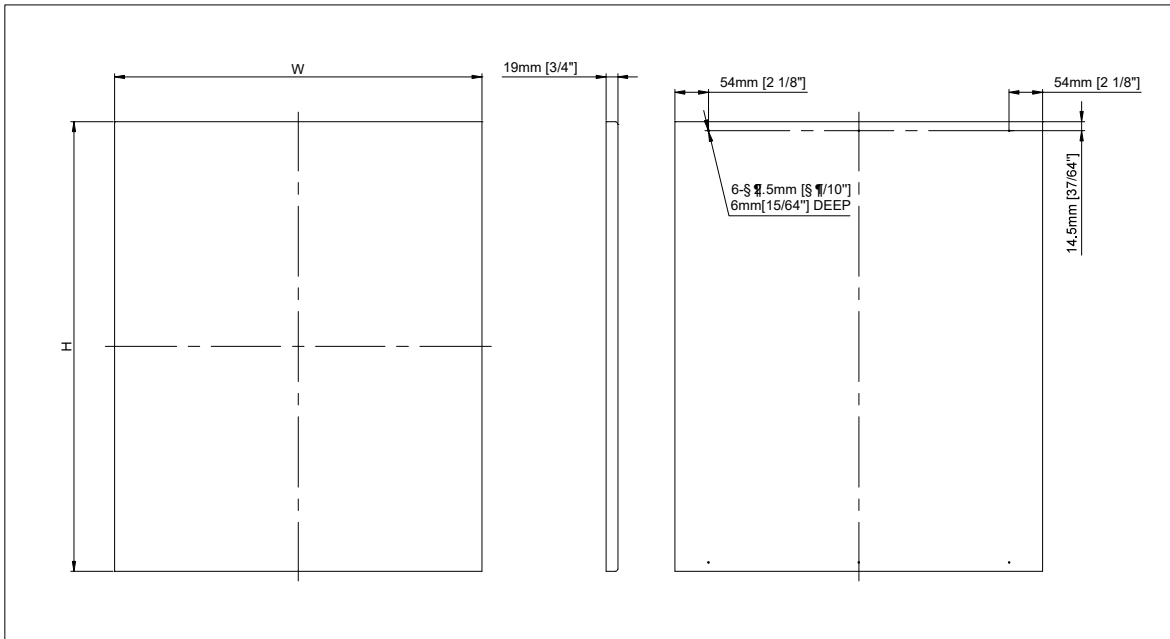


## Full Overlay Panel Installation Instructions

An overlay panel covers the stainless steel to give an integrated appearance. The overlay panel and appropriate hardware are not included with the unit and the end user needs to provide it. We are providing two installation methods, choose the one you feel is the most appropriate to your needs. Please follow the instructions below for installation:

### Door Panel Preparation

Prepare the overlay panel to the dimensions as per the descriptions given below. Then attach the handle to the overlay panel by using the flat head screws and drive the screws flush with the panel.



### **NOTE:**

1. H = Height of door + 1mm [3/80"], W = Width of door + 4mm [5/32"].
2. The weight of the overlay panel should not exceed 7 kilograms.
3. It is important to ensure that all drilled holes are drilled to the correct depth to avoid splits in the wood when the hardware is installed.

4. Drill the handle installation holes in the overlay panel according to the handle you are planning to use. If reusing the handles that came with the unit, drill two holes with a distance of 490mm [19-9/32"] and a diameter of 5mm [3/16"] in the overlay panel.

### **Door Panel Installation Method 1:** (With included brackets)

This method is designed to be an easily convenient installation method and does not require drilling into the unit's door.

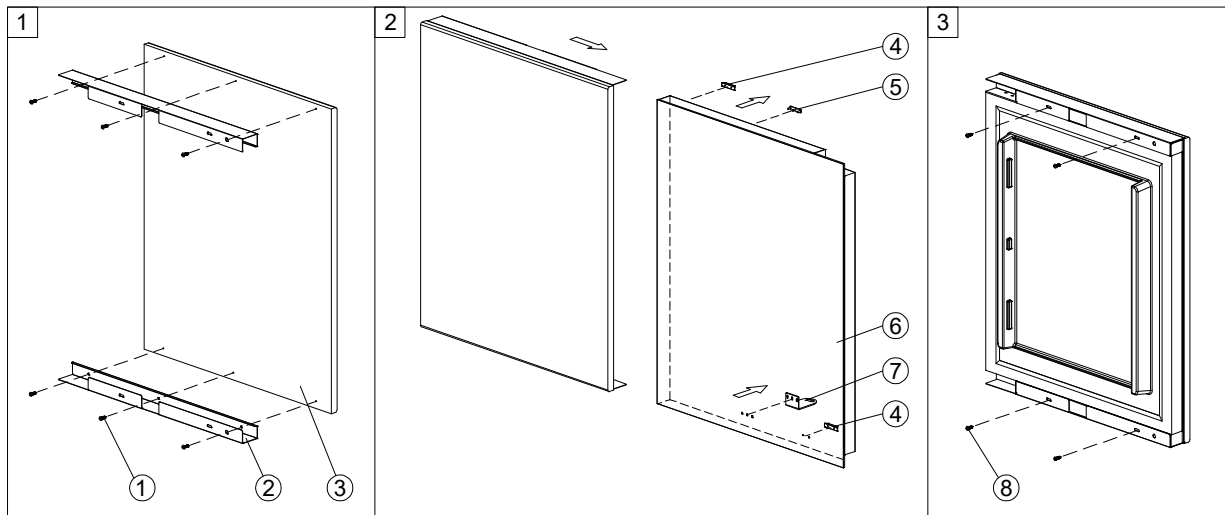
#### **NOTE:**

- This method will leave a 3mm gap between the panel and the unit door.

1. Lay the wooden panel (3) on a flat surface.
2. Place the top bracket (2) along the edge of the panel.
3. Attach the bracket (2) to the wooden panel by using three 1/2" Phillips self-tapping screws (1).
4. Repeat steps 2-3 for the bottom bracket.

**NOTE:** The two brackets must be horizontally spaced according to the specific dimensions of your unit's door.

5. To prepare the unit for panel installation, remove the lock bracket (7) and magnetic activator (4) from the bottom of the door and remove the magnetic activator (4) & hole plugs (5) from the top of the door. This is done by removing the screws that attach the lock bracket and magnetic activators to the door.
6. We recommend you leave the factory-installed protective film to protect the door and prevent scratching while installing the panel.
7. Open the unit's door all the way. Then, carefully slide the bracketed wooden panel onto the unit's door (6).
8. To complete the installation, attach the bracket to the door by inserting two 1/2" Phillips self-tapping screws (8) through the bracket and into the unit's door, one on each end of the bracket.
9. Reinstall the lock bracket, hole plugs, and magnetic activators.



### **Door Panel Installation Method 2:**

This method will leave the panel flush with the door but will require some drilling into the unit's door.

1. Peel off the gasket (4) and remove the handle by removing the two screws that attach the handle to the door.
2. Drill the 8 holes shown by using a 3/16" drill bit inside the door groove on the four sides of the door front (2).
3. Cut the overlay panel (1) with a thickness of 3/4" to the dimensions corresponding to your model. The height of the panel should be 1mm [3/80"] more than the height of the door and the width of the panel should be 4mm [5/32"] more than the width of the door.
4. Attach the handle to the overlay panel by using the flat head screws and drive the screws flush with the panel.
5. Then attach the overlay panel to the door face using the 8 wood screws #10x2 (ST4x50) (3) and through the 8 existing holes inside the door groove.
6. Reinstall the gasket.

