

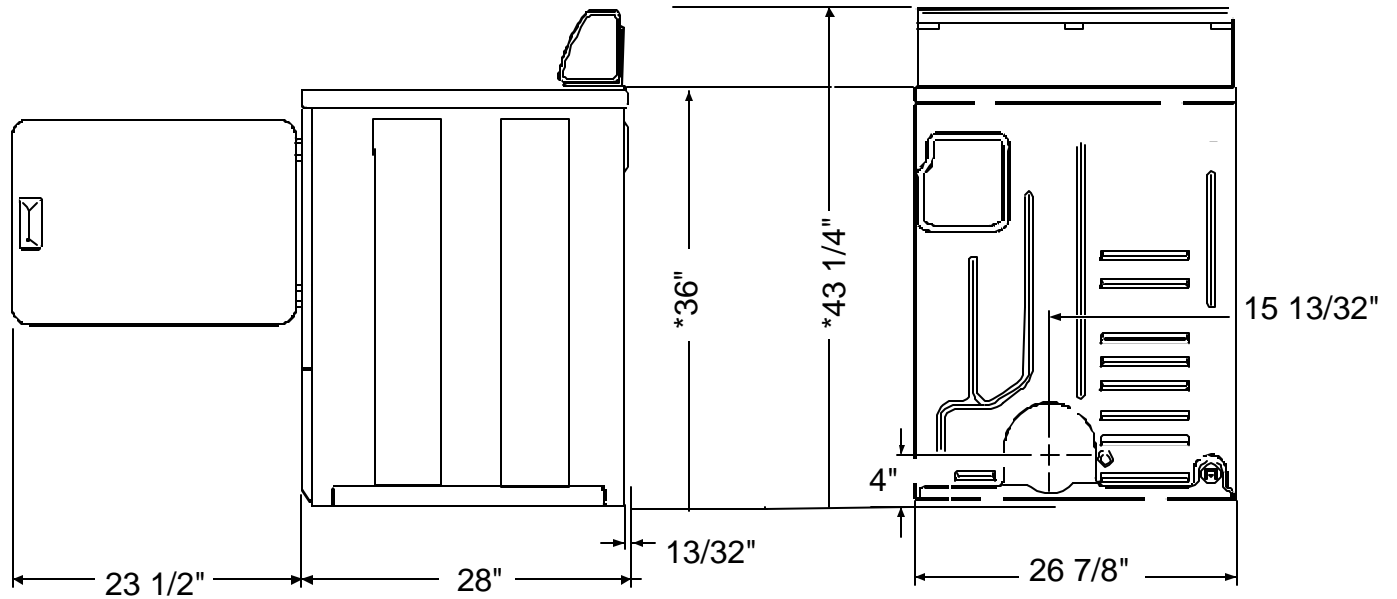


Amana Dryers:

Fax Document Number: 5044 / 010713

Models	ALE643RB / ALG643RB	ALE866SB / ALG866SB
General		
Drum Capacity (cu.ft.)	7.15	7.15
Drum Material	Elustra™ Stainless Steel	Elustra™ Stainless Steel
Controls	Mechanical / Bi-Directional	Mechanical / Bi-Directional
Fabric Temperature Selector	Regular, Perm. Press, Delicate & No Heat	Variable
Moisture Sensor Auto Dry	---	Yes
End of Cycle Signal	Yes	Premium Chime
Drum Light	Yes	Yes
Drying Rack	---	Yes
Cycles		
Cycle Selections, # of	7	8
Auto		
Regular / Delicate	More / Less Dry	More / Less Dry
Perm. Press / Knits	More / Less Dry	More / Less Dry
Wrinkle Out	Yes	Yes
Time – More / Less Dry	Yes	Yes
No Heat	---	Yes
Extended Tumble Switch	Yes	Yes
Visuals		
Cabinet & Hood Color - White	ALE643RBW / ALG643RBW	ALE866SBW / ALG866SBW
Cabinet & Hood Color - Bisque	ALE643RBC / ALG643RBC	ALE866SBC / ALG866SBC
Warranty		
	Warranty applies only when product is repaired by an authorized Amana servicer.	
See warranty certificate for terms & conditions	1 year full – parts, labor and travel 2nd year - part only 3 - 5 years on drive motor – parts only 3 - 10 years on cabinet assembly should the part rust through – parts only Lifetime-limited on stainless steel inner drum – parts only	
Energy Input		
Heater Wattage	5,350	
Gas - BTU / Hr.	22,500	
Installation Specifications		
Installation Instruction Manual	Available on fax document # 5094 - electric & #5095 - gas	
CFM	220 measured at point of exit from dryer	
Motor	1/3 hp, 5.2 Amps, 120 Volts, 60 Hz	
Electrical Requirements	Electric – 3-wire (neutral conductor grounded), 120/240 Volts, 60 Hz, 30 Amp circuit (separately fused) Gas – grounded 2-wire, 120 Volts, 60 Hz, 15 Amp Circuit (separately fused)	
Power Cord Length	Electric- not supplied with the dryer Gas - 60"	
Gas Supply Connections	3/8" NPT (national pipe thread) – pipe connection is provided at the rear. Built-in pressure regulator reduces gas pressures to approximately 3.5 W.C.I.	

Models	ALE643RB / ALG643RB	ALE866SB / ALG866SB
Optional Kits		
Drying Rack	Sales Accessory -#DR3 / Amana Part- #504105	
L.P. Conversion Kit	Sales Accessory- #LPK1 / Amana Part- #649P3 Important: Any product revisions or conversions must be made by the manufacturer's authorized dealer, distributors or local service personnel.	
Directional Exhaust Kit	528P3	
Dimensions (in Inches)		
Height – Including Control Panel	43 1/4	
Cabinet Height	36	
Width	26 7/8	
Depth	28	
Approximate Shipping Weight (lbs.)	145	



* With leveling legs turned into base