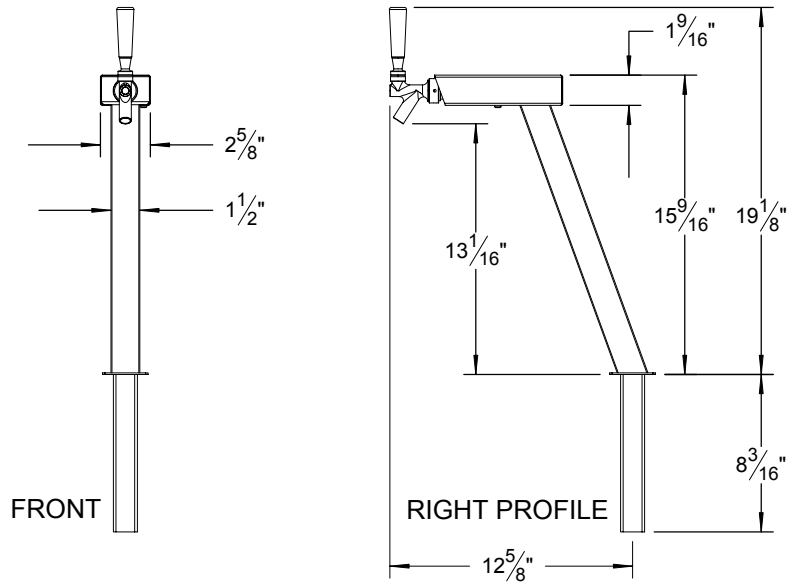
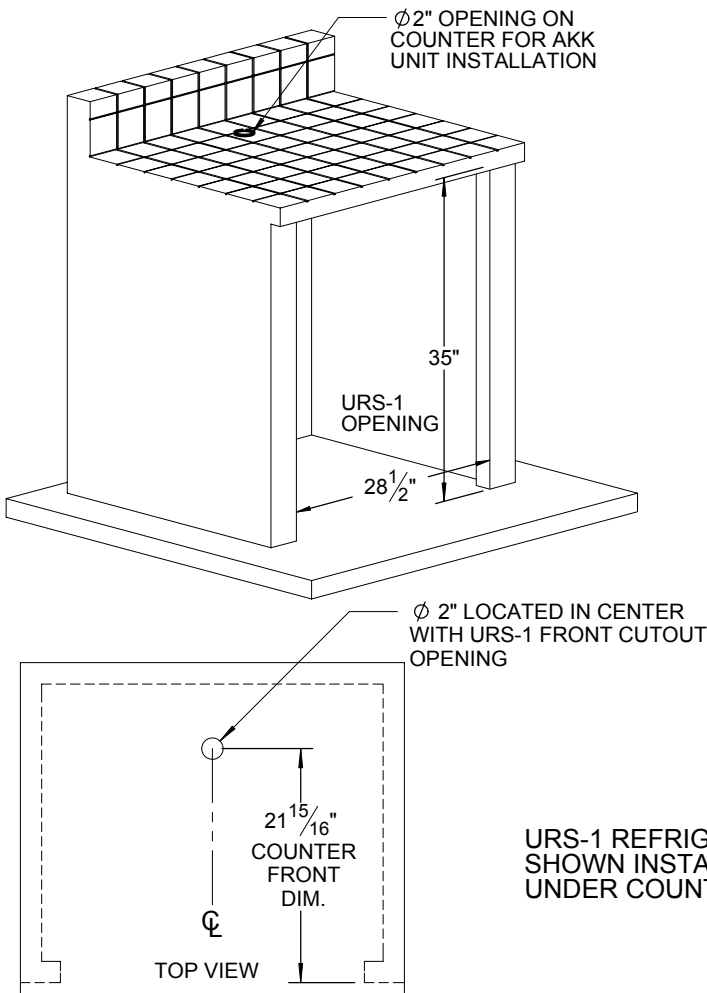


AKK TYPICAL INSTALLATION



COUNTER TOP AND FRONT CUTOUT REQUIREMENTS



NOTE:
THE AKK BEER COLUMN MUST BE INSTALLED ON TOP OF THE COUNTER BUT ALSO MUST BE REMOVABLE IN ORDER TO MOVE THE URS-1 OUT OF THE COUNTER FOR MAINTENANCE OR SERVICE REQUIREMENTS.

DO NOT BUILD PERMANENTLY INTO THE COUNTER TOP

