

VORTEX one-piece-liner

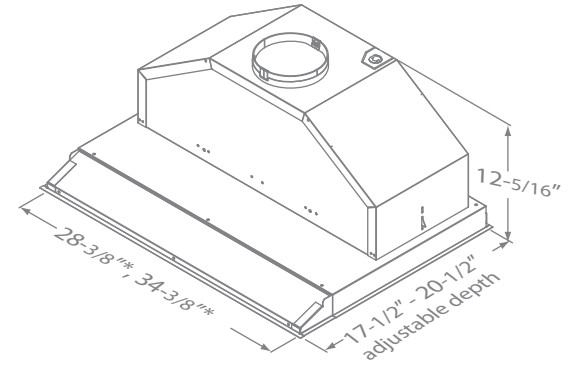
The Vortex one-piece-liner leads the way with the industry's only adjustable-depth installation dimensions. Staying true to its one-piece-liner roots, Vortex has a single liner piece that is designed to extend up to 3-inches towards the front of the range hood so you can install it in spaces built for a hood up to 20-1/2-inches deep. Add to this its category-leading 450 CFMs, optional recirculation kit and its 36-inch mounting height maximum and Vortex stands tall among the rest.

MODEL	SIZE	INTERNAL BLOWER		IN-LINE/EXTERNAL	
		Min.-Max. CFM	Min.-Max. Sones	Min.-Max. CFM	Min.-Max. Sones
AK9O28AS (30")	28-3/8"	200 - 450	1.4 - 5	NA	NA
AK9O34AS (36")	34-3/8"	200 - 450	1.4 - 5	NA	NA



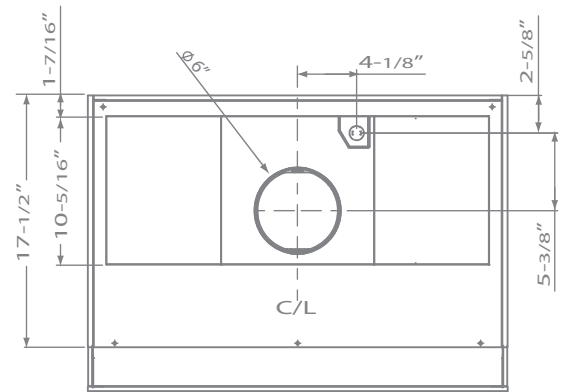
VORTEX | ONE-PIECE-LINER

SIZE (W X D)	
AK9028AS (30")	28-3/8" x 17-1/2" - 20-1/2"
AK9034AS (36")	34-3/8" x 17-1/2" - 20-1/2"
PERFORMANCE	
INTERNAL, MIN.-MAX. BLOWER CFM	200 - 450
INTERNAL, MIN.-MAX. SONES	1.4 - 5
COLOR	
STAINLESS STEEL	SS
FEATURES	
CONTROLS	MECHANICAL SLIDE
SPEED LEVELS	3
AUTO DELAY-OFF	NO
LIGHTING	HALOGEN, 35W x2
DUAL LEVEL LIGHTING	YES
FILTERS	SS BAFFLE
RECIRCULATING OPTION	YES
ADJUSTABLE DEPTH	YES
DUCT SPECIFICATIONS	
INTERNAL BLOWER - VERTICAL	6" ROUND
INTERNAL BLOWER - HORIZONTAL	N/A
AC INPUT	
AC INPUT	120V
AC POWER	
AC POWER	MAX. 315 W AT 2.7A
OPTIONAL ACCESSORIES	
RECIRCULATING KIT	ZRC-9000
MOUNTING HEIGHT*	
MOUNTING HEIGHT*	26" - 36"
WARRANTY	
WARRANTY	3 YEARS PARTS, 1 YEAR LABOR

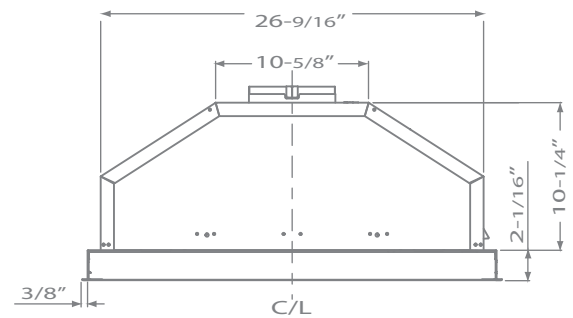


*dimensions do not include 3/8" wide flange around the liner

FRONT



Top



BACK

*MOUNTING HEIGHT REFERS TO DISTANCE BETWEEN TOP OF A 36" TALL COOKING SURFACE AND BOTTOM OF CUSTOM HOOD.

