



BREEZE II

AK1200 AK1236

Zephyr's high performance hoods provide maximum ventilation for today's kitchens. All of Zephyr's ventilation products deliver two to three times the power of a conventional range hood. The Breeze models are designed with convenience and efficiency in mind. Manufactured with the highest quality, Zephyr's innovative product line is ISO-9001 certified and carries a remarkable reputation in function, design, and warranty.

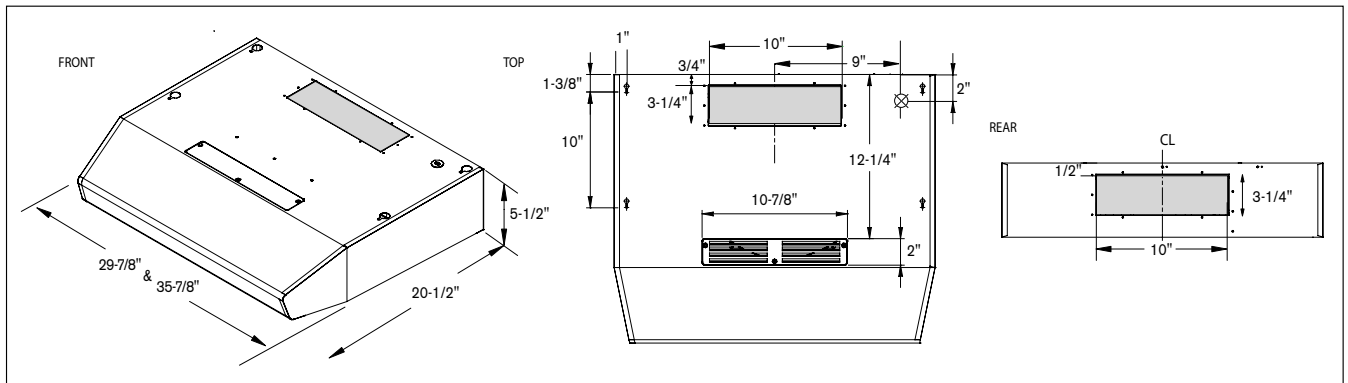


ZEPHYR
www.zephyronline.com

p o w e r s e r i e s

BREEZE II

MODEL:	AK1200	AK1236
Size	30"	36"
Net Width	29-7/8"	35-7/8"
PERFORMANCE		
CFM	400	400
Sones	1.5 - 4.5	1.5 - 4.5
COLOR/ FINISH		
Black/B	•	•
White/W	•	•
Stainless Steel/S	•	•
Bisque/Q	•	•
FEATURES & ACCESSORIES		
Aluminum Filters	2	3
Controls	touch	touch
Speed Levels	3	3
Lighting (standard incandescent)	40R16	40R16
Lighting (optional halogen)	PAR20	PAR20
Dual Level Lighting	•	•
Delay Off	•	•
DUCT SPECIFICATIONS		
Option 1 (vertical)	3-1/4" x 10"	3-1/4" x 10"
Option 2 (rear horizontal)	3-1/4" x 10"	3-1/4" x 10"
Option 3	recirculating*	recirculating*
*requires recirculating kit part # 0AK11-21001		
ACCESSORIES		
Recirculating Kit	0AK11-21001	0AK11-21001
Aluminum Replacement Filters	0AK11-22001	0AK11-22001
Carbon Filter	0AK11-20001	0AK11-20001



Please call 1.888.880.VENT or check our website at www.zephyronline.com for the potential specifications updates before making cut-outs or ordering custom work/modifications.

