



BREEZE I

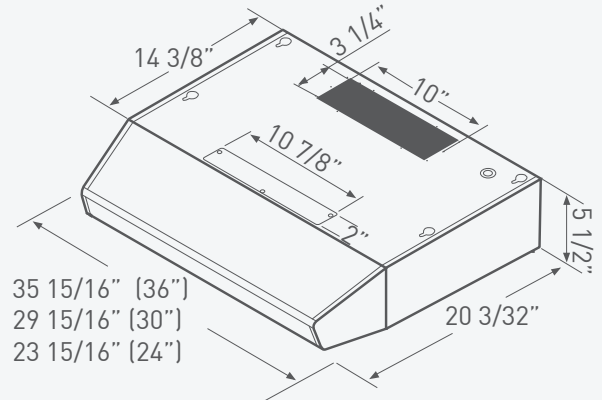
Its sophisticated features and performance set the industry value standard. Its three-speed, 250-cfm blowers quietly clear the air while convenient dishwasher-safe aluminum filters efficiently remove airborne residues. Sleek, integrated controls simplify cleanup, and the two-level halogen light bulbs let you set a low-key mood when the time is right.



AjMadison
Your Appliance Authority™
800-570-3355



ESSENTIALS



BREEZE I

UNDER CABINET

MODEL	AK1124	AK1100	AK1136
SIZE	24"	30"	36"
NET WIDTH	23 15/16"	29 15/16"	35 15/16"
PERFORMANCE			
Internal Blower	150 - 250 CFM	150 - 250 CFM	150 - 250 CFM
Internal Blower Sones	1.8 - 3.5	1.8 - 3.5	1.8 - 3.5
COLOR	W, SS	B, Q, W, SS	B, Q, W, SS
Black, Bisque, White, Stainless Steel			
FEATURES			
Controls	Mechanical Slide	Mechanical Slide	Mechanical Slide
Speed Levels	3	3	3
Auto Delay-Off	No	No	No
Lighting	Halogen, 35W x 2	Halogen, 35W x 2	Halogen, 35W x 2
Dual-Level Lighting	Yes	Yes	Yes
Filters	Aluminum Mesh x 2	Aluminum Mesh x 2	Aluminum Mesh x 2
Recirculating	Yes	Yes	Yes
Duct Cover Extension	NA	NA	NA
DUCT SPECIFICATIONS			
Internal Blower - Vertical	3 1/4" x 10"	3 1/4" x 10"	3 1/4" x 10"
Internal Blower - Horizontal	3 1/4" x 10"	3 1/4" x 10"	3 1/4" x 10"
AC INPUT	120V - 60Hz	120V - 60Hz	120V - 60Hz
AC POWER	Max. 142W, 1.2 Amps	Max. 142W, 1.2 Amps	Max. 142W, 1.2 Amps
OPTIONAL ACCESSORIES			
Recirculating Kit	OAK11-21001	OAK11-21001	OAK11-21001
Mounting Heights	Min. height 24" from cooking surface. Hood mounted 60" from floor.	Max. height 32" from cooking surface. Hood mounted 68" from floor.	

ESSENTIALS

ZEPHYR

Zephyr Corporation

2277 Harbor Bay Parkway
Alameda, CA 94502

1.888.880.VENT

www.zephyronline.com jan11.0201

