

Gaggenau

Installation instructions.....2
Instructions d'installation.....20
Instrucciones de instalación.....38

AI 442 720

Hood

Hotte aspirante

Campana extractora

Safety Definitions

WARNING

This indicates that death or serious injuries may occur as a result of non-observance of this warning.

CAUTION

This indicates that minor or moderate injuries may occur as a result of non-observance of this warning.

NOTICE: This indicates that damage to the appliance or property may occur as a result of non-compliance with this advisory.

Note: This alerts you to important information and/or tips.

IMPORTANT SAFETY INSTRUCTIONS

READ AND SAVE THESE INSTRUCTIONS

INSTALLER: LEAVE THESE INSTRUCTIONS WITH THE APPLIANCE AFTER INSTALLATION IS COMPLETE.

IMPORTANT: SAVE THESE INSTRUCTIONS FOR THE LOCAL ELECTRICAL INSPECTOR'S USE.

WARNING

If the information in this manual is not followed exactly, fire or shock may result causing property damage or personal injury.

WARNING

Do not repair, replace or remove any part of the appliance unless specifically recommended in the manuals. Improper installation, service or maintenance can cause injury or property damage. Refer to this manual for guidance. All other servicing should be done by a qualified technician.

WARNING

WARNING – TO REDUCE THE RISK OF FIRE, ELECTRIC SHOCK, OR INJURY TO PERSONS, OBSERVE THE FOLLOWING

- Installation work and electrical wiring must be done by qualified person(s) in accordance with all applicable codes and standards, including fire-rated construction.
 - Sufficient air is needed for proper combustion and exhausting of gases through the flue (chimney) of fuel burning equipment to prevent back drafting. Follow the heating equipment manufacturer's guideline and safety standards such as those published by the National Fire Protection Association (NFPA), and the American Society for Heating, Refrigeration and Air Conditioning Engineers (ASHRAE), and the local code authorities.
 - When cutting or drilling into wall or ceiling, do not damage electrical wiring and other hidden utilities.
 - Ducted fans must always be vented to the outdoors.
-

WARNING

The applicable regulations of the energy supply companies and the regional construction regulations must be observed when installing the hood.

WARNING

Risk of fire

Grease deposits in the grease filter can catch fire. Never work with a naked flame near the appliance (e.g. flambéing). Install the unit near a heat-producing appliance for solid fuels (e.g. wood or coal) only if there is a closed, non-detachable cover. There must be no flying sparks.

WARNING

Risk of fire

Operating several gas burners at the same time gives rise to a great deal of heat. The ventilation appliance may become damaged or catch fire. The ventilation appliance must only be combined with gas burners that do not exceed the maximum total output of 61,000 Btu/hr (18 kW). If 41,000 Btu/hr (12 kW) is exceeded, the local regulations concerning room ventilation, room size, and combination with ventilation devices in exhaust and recirculating operation must be heeded.

WARNING

To reduce risk of fire and to properly exhaust air, be sure to duct air outside. Do not vent exhaust air into spaces within walls, ceilings, attics, crawl spaces or garages.

WARNING

To reduce the risk of fire, use only metal ductwork.



IMPORTANT SAFETY INSTRUCTIONS

READ AND SAVE THESE INSTRUCTIONS

WARNING

When the hood is operated in exhaust-air mode simultaneously with a different burner which also makes use of the same chimney (such as gas, oil or coal-fired heaters, continuous-flow heaters, hot-water boilers) care must be taken to ensure that there is an adequate supply of fresh air which will be needed by the burner for combustion.

Safe operation is possible provided that the under pressure in the room where the burner is installed does not exceed 4 Pa (0.04 mbar).

This can be achieved if combustion air can flow through non-lockable openings, e.g. in doors, windows and via the air-intake/exhaust-air wall box or by other technical measures, such as reciprocal interlocking, etc.

WARNING

Avoid carbon monoxide poisoning – Provide adequate air intake so combustion gases are not drawn back into the room.

An air-intake/exhaust-air wall box by itself is no guarantee that the limiting value will not be exceeded.

Note: When assessing the overall requirement, the combined ventilation system for the entire household must be taken into consideration. This rule does not apply to the use of cooking appliances, such as cooktops and ovens.

CAUTION

For general ventilating use only. Do not use to exhaust hazardous or explosive materials and vapors.

Risk of damage from condensation back flow. Install exhaust vent at a slight downward slope away from the appliance (1° slope).

Appliance Handling Safety

Unit is heavy and requires at least two people or proper equipment to move.

Hidden surfaces may have sharp edges. Use caution when reaching behind or under appliance.

WARNING

Risk of injury

The appliance may fall from the wall if it is not attached properly. All fastening components must be fixed firmly and securely in place.

Safety Codes and Standards

This appliance complies with the latest version of one or more of the following standards:

- UL 507 - Electric Fans
- CAN/CSA C22.2 No. 113 - Fans and Ventilators

It is the responsibility of the installer to determine if additional requirements and/or standards apply to specific installations.

Electric Safety

WARNING

GROUNDING INSTRUCTIONS

This appliance must be grounded. In the event of an electrical short circuit, grounding reduces the risk of electric shock by providing an escape wire for the electric current.

This appliance is equipped with a cord having a grounding wire with a grounding plug. The plug must be plugged into an outlet that is properly installed and grounded.

WARNING

Improper grounding can result in a risk of electric shock. Consult a qualified electrician if the grounding instructions are not completely understood, or if doubt exists as to whether the appliance is properly grounded. Do not use an extension cord. If the power supply cord is too short, have a qualified electrician install an outlet near the appliance.

WARNING

Before you plug in an electrical cord or turn on power supply, make sure all controls are in the OFF position.

IMPORTANT SAFETY INSTRUCTIONS

READ AND SAVE THESE INSTRUCTIONS

For appliances equipped with a cord and plug, do not cut or remove the ground prong. It must be plugged into a matching grounding type receptacle to avoid electrical shock. If there is any doubt as to whether the wall receptacle is properly grounded, the customer should have it checked by a qualified electrician.

If required by the National Electrical Code (or Canadian Electrical Code), this appliance must be installed on a separate branch circuit.

WARNING

To reduce the risk of fire or electric shock, do not use this fan with any solid-statespeed control device.

Installer – show the owner the location of the circuit breaker or fuse. Mark it for easy reference.

Before installing, turn power OFF at the service panel. Lock service panel to prevent power from being turned ON accidentally.

WARNING

TO REDUCE THE RISK OF FIRE, ELECTRIC SHOCK, OR INJURY TO PERSONS, OBSERVE THE FOLLOWING:

- Use this unit only in the manner intended by the manufacturer. If you have questions, contact the manufacturer.
- Before servicing or cleaning unit, switch power off at service panel and lock the service disconnecting means to prevent power from being switched on accidentally.
When the service disconnecting means cannot be locked, securely fasten a prominent warning device, such as a tag, to the service panel.

Be sure your appliance is properly installed and grounded by a qualified technician. Installation, electrical connections and grounding must comply with all applicable codes.

WARNING

Risk of electric shock

Parts inside the appliance can have sharp edges. The connection cable can be damaged. Do not bend or pinch connection cables during installation.

Related Equipment Safety

Remove all tape and packaging before using the appliance. Destroy the packaging after unpacking the appliance. Never allow children to play with packaging material.

The appliance is only guaranteed safe to use if installed by a specialist in accordance with these installation instructions. The installer is liable for any damage resulting from incorrect installation.

Never modify or alter the construction of the appliance. For example, do not remove leveling legs, panels, wire covers or anti-tip brackets/screws.

State of California Proposition 65 Warnings

WARNING

This product contains chemicals known to the State of California to cause cancer, birth defects or other reproductive harm.

Installation preparation

CAUTION

Ensure that there are no electric wires, gas or water pipes in the area where holes are to be made.

Checking the ceiling

- The ceiling must be flat, horizontal and adequately load-bearing.
- The depth of the bore holes must be the same length as the screws. The wall plugs must have a secure grip.
- The enclosed screws and wall plugs are suitable for solid brickwork. Suitable fasteners must be used for other structures (e.g. plasterboard, porous concrete, perforated bricks).
- The max. weight of the extractor hood is **198 lbs (90 kg)**.

General notes

WARNING

Risk of death

Risk of poisoning from flue gases that are drawn back in. The exhaust air must not be conveyed into a functioning smoke or exhaust gas flue or into a shaft that is used to ventilate installation rooms that contain heating appliances. If the exhaust air is to be conveyed into a non-functioning smoke or exhaust gas flue, you must obtain the consent of the heating engineer responsible.

Exhaust air mode

Note: Ventilation may not exit through an already operational smoke or exhaust chimney, nor a duct used for ventilating furnace installation areas.

- If the ventilation is intended to pass through a smoke or exhaust that is not in operation, the responsible area heating inspector must give approval.
- If the ventilation passes through an external wall, use a telescope wall sleeve.

Ventilation line

Note: The appliance manufacturer does not assume any warranty for complaints attributable to the pipe section.

- The appliance achieves its optimum performance with a short, straight exhaust air pipe and as large a pipe diameter as possible.
- As a result of long rough exhaust air pipes, many pipe bends or pipe diameters that are smaller than 6" (150 mm), the optimum extraction performance is not achieved and fan noise is increased.
- The pipes or hoses for laying the exhaust air line must be made of non-combustible material.
- Use sealing strip for deviating pipe diameters.
- An inner diameter of 6" (150 mm), but at least 4¾" (120 mm), is recommended.

NOTICE: Risk of damage from condensation back flow. Install exhaust vent at a slight downward slope away from the appliance (1° slope).

Electrical connection

⚠ WARNING

Risk of electric shock

Parts inside the appliance can have sharp edges. The connection cable can be damaged. Do not bend or pinch connection cables during installation.

The required connection information is on the appliance's identification plate.

This appliance meets EC radio interference suppression requirements.

This appliance may only be connected to a correctly installed grounded socket.

Attach the grounded socket inside the flue duct if possible.

- The grounded socket should be connected via its own circuit.
- If the grounded socket is no longer accessible after installing the appliance, an all-pole isolating switch (e.g. circuit breaker, fuses, and contactors) with at least a 3 mm contact gap must be included in the installation.

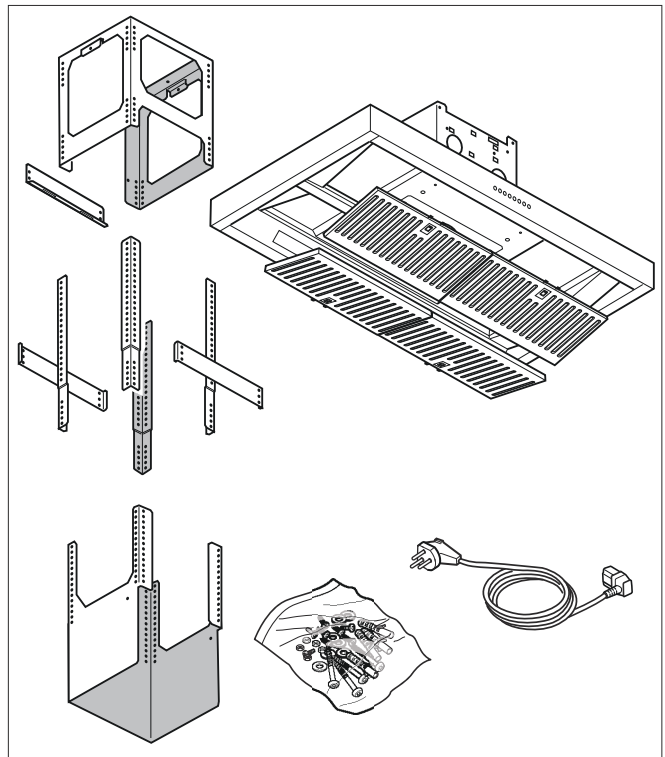
Before You Begin

Tools and Parts Needed

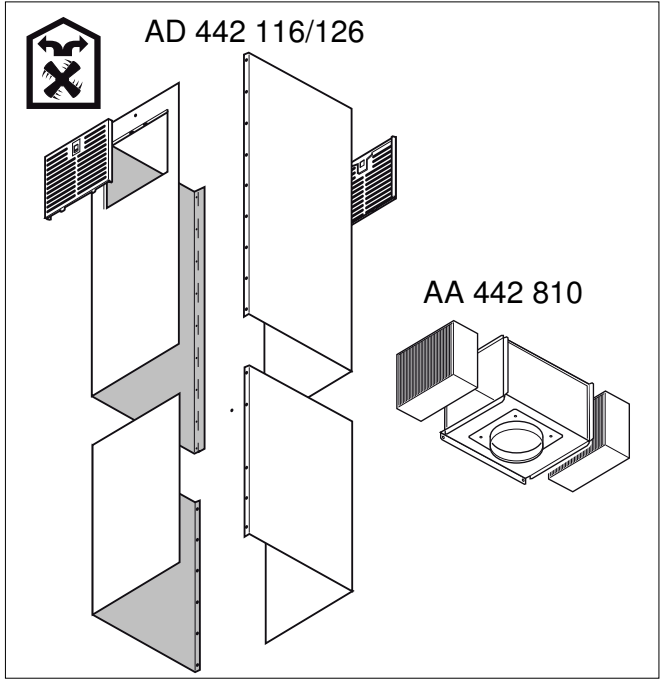
- Measuring tape
- Pencil
- Torx screwdriver TX20
- Drill with the following bits: 5/16" (8 mm)
- Spanner, 7 mm
- Spirit-level
- Aluminum tape (DO NOT use insulating tape)
- Exhaust channel (configuration depends on the installation situation)
- Additional sheet metal screws (if necessary for installation of the exhaust air duct)

Parts Included

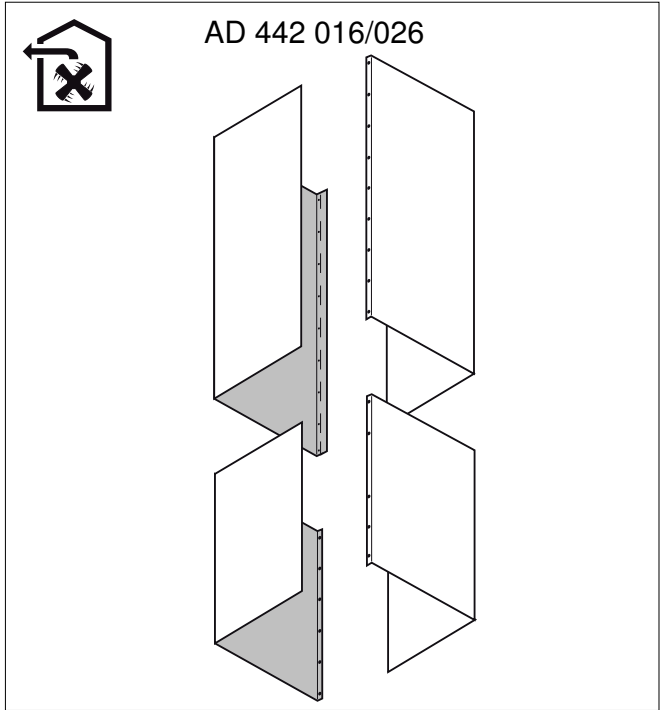
All models



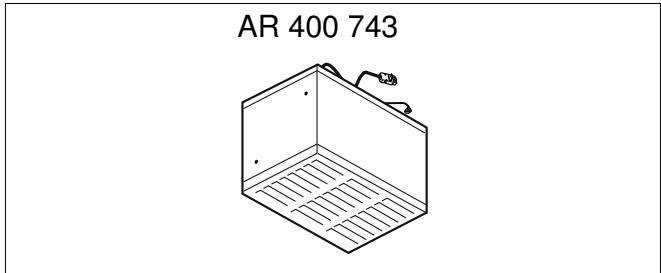
Models with circulating-air mode



Ducted operation

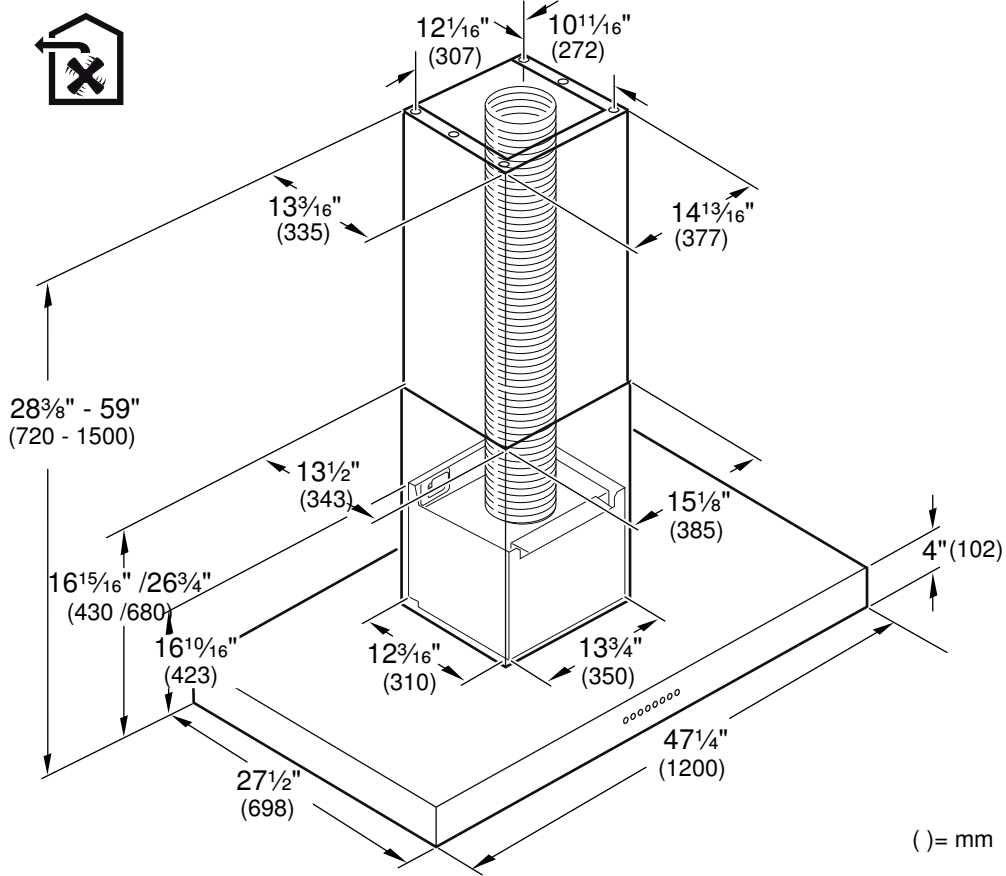


Accessory: Remote fan unit

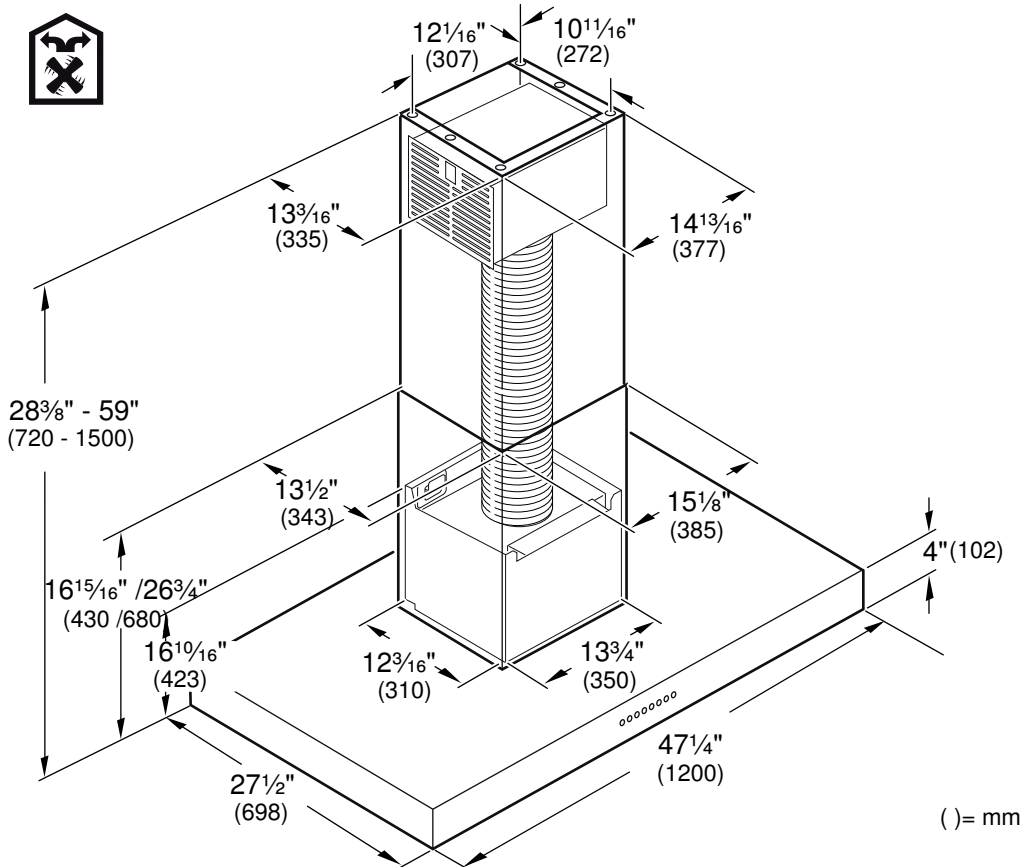


Appliance dimensions

Models with air extraction mode



Models with air recirculation mode



Safety clearances

⚠ WARNING

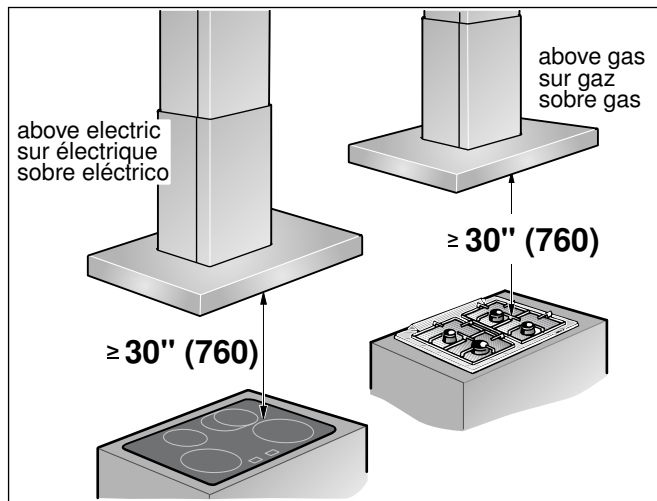
Risk of fire

Grease deposits in the grease filter may catch fire. The specified safety distances must be observed in order to prevent an accumulation of heat. Observe the specifications for your cooking appliance. If gas and electric cooktops are operated together, the largest specified distance applies.

Only one side of the appliance may be installed directly next to a high-sided unit or a wall. The distance between the appliance and wall or high-sided unit must be at least 2" (50 mm).

The minimum distance between the supporting surface for the cooking equipment on the hob and the lowest part of the range hood must be not less than 30" (760 mm) from electric cookers and 30" (760 mm) from gas or mixed cookers.

If the instructions for installation for the gas hob specify a greater distance, this must be adhered to.



Installation

Transport securing device

The supporting frame is secured for transport using self-tapping screws. Remove these self-tapping screws before installation.

Fitting the upper support frame

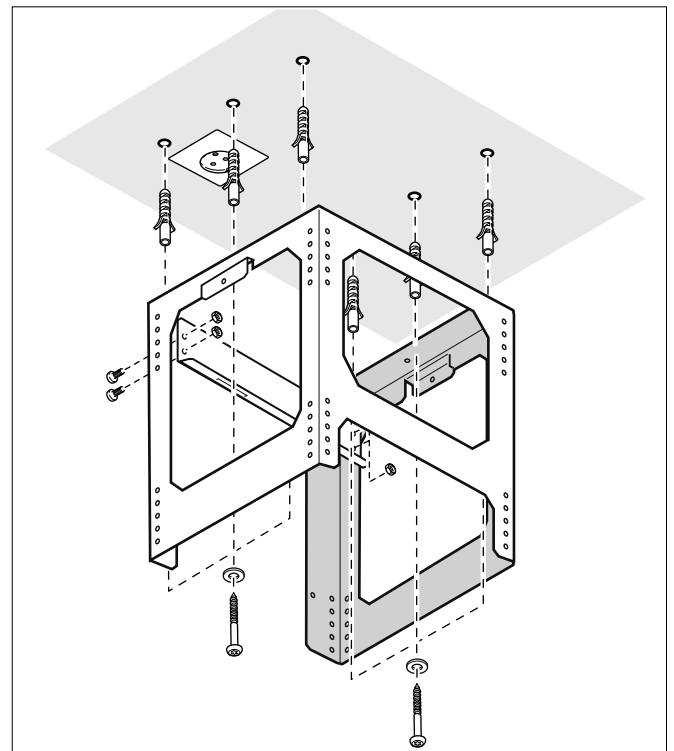
- 1 Before installation, establish the total height of the support frame.

Note: The height of the support frame can be adjusted in steps of $\frac{3}{4}''$ (20 mm).

- 2 Mark the positions of the six screws on the ceiling.

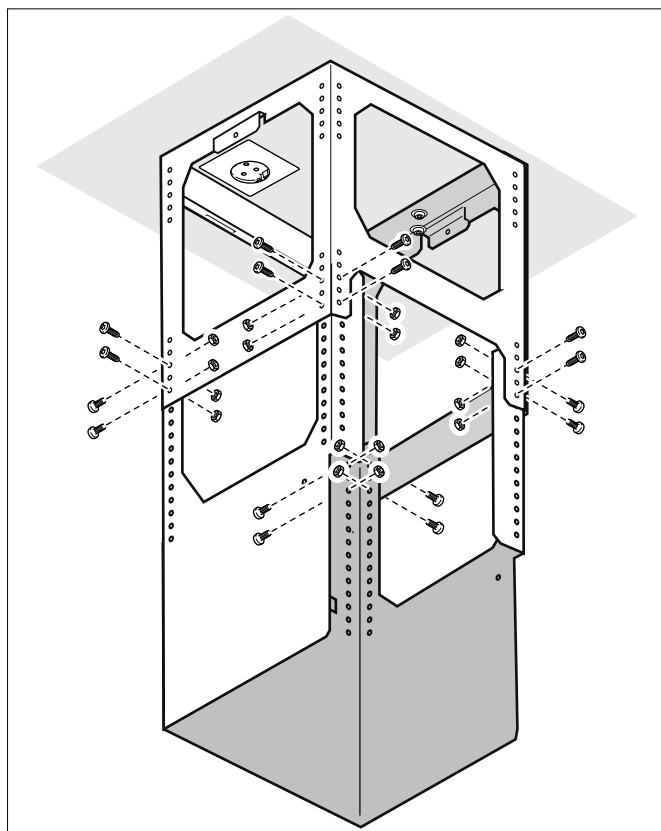
Note: Ensure that the support frame is in the correct position. The appliance has one control panel on the open side of the support frame. The other control panel is located on the opposite side.

- 3 Drill the holes and push in the wall plugs so that they are flush with the wall.
- 4 Use four screws to fit the reinforcement plate to the inside of the support frame.
- 5 Use six screws to fasten the upper support frame to the ceiling.



Fitting the lower support frame without using an extension

- 1 Ensure that the lower support frame is in the correct position.
Note: Position the open side of the lower support frame opposite the open side of the upper support frame.
- 2 Slide the lower support frame into the upper support frame and use 16 screws to secure it at the established total height.

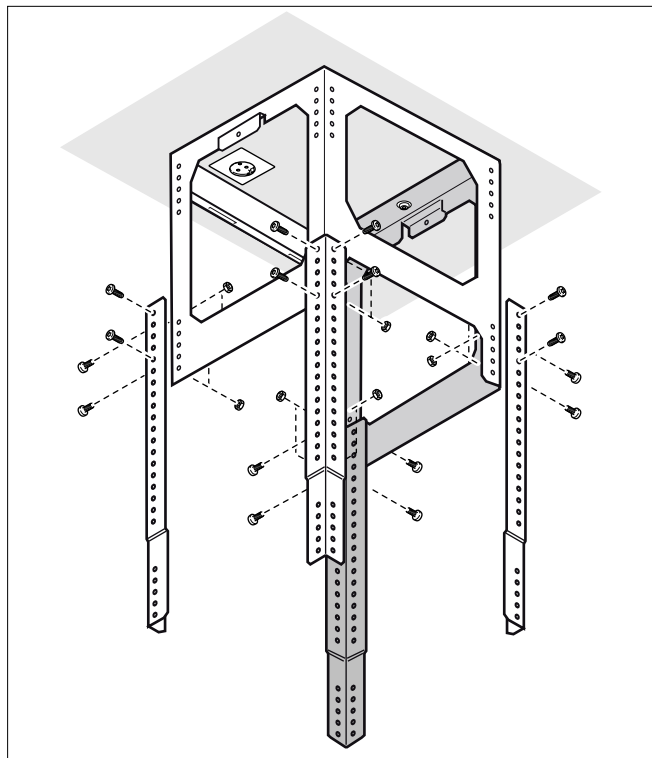


Notes

- Select the mounting holes in such a way that a maximum clearance is achieved between the screws. The purpose of this is to ensure stability.
- Leave open at least one mounting hole between the screws.

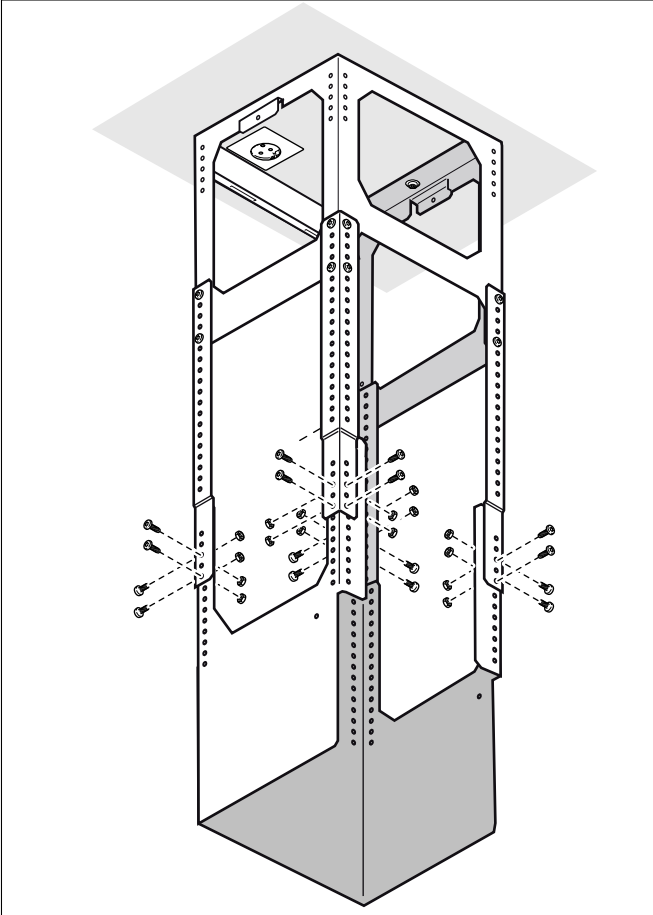
Fitting the lower support frame using an extension

- 1 Slide each part of the extension over the outside of the upper support frame and use 16 screws to fit them to the upper support frame..

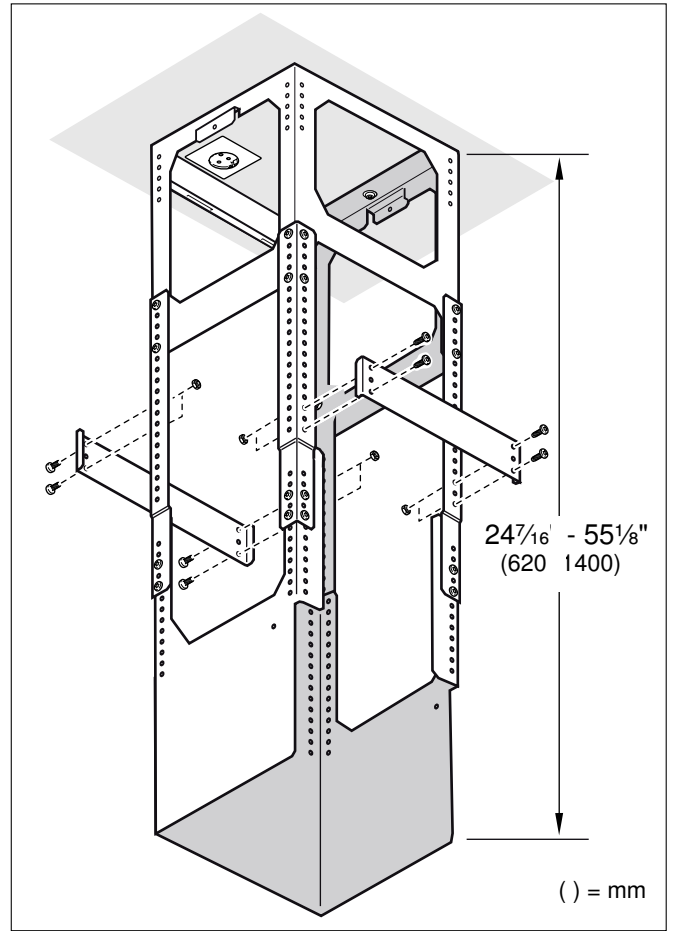


- 2 Ensure that the lower support frame is in the correct position.
Note: Position the open side of the lower support frame opposite the open side of the upper support frame.

- 3 Slide the lower support frame up into the extension and use 16 screws to secure it at the established total height.

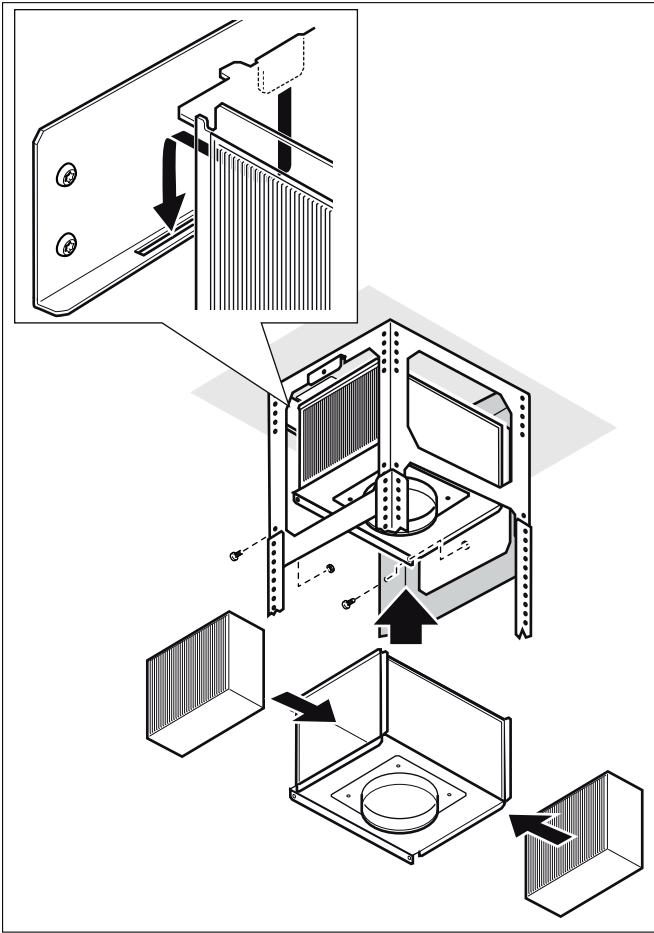


- 4 Fit two reinforcing brackets.

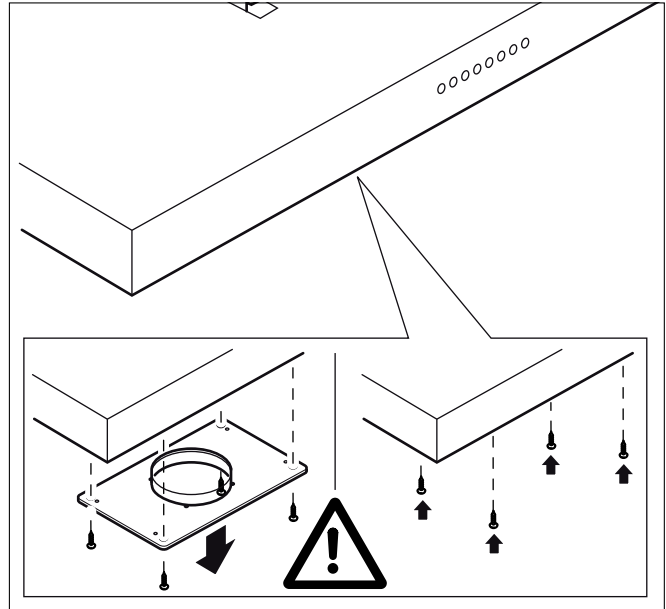


Installing the appliance

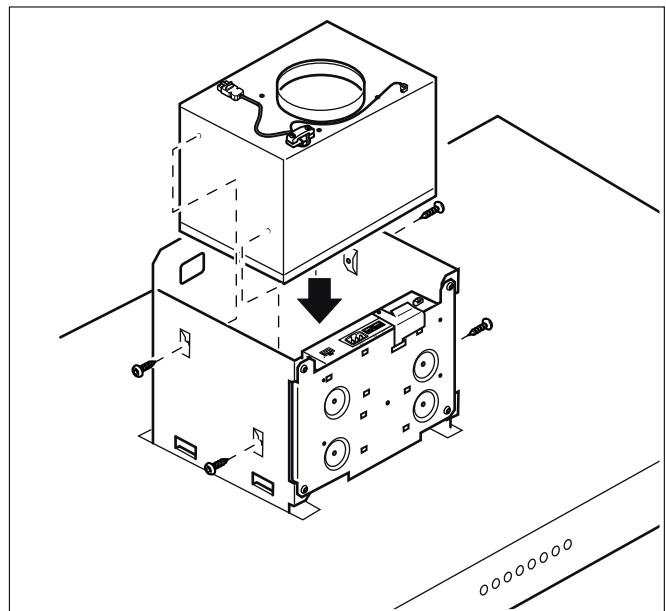
- 1 For recirculation mode units only:** Fit filters to both sides of the AA 442 810 air recirculation module. Slide the air recirculation module into the support frame from below and hook it in place. Secure it with two screws.



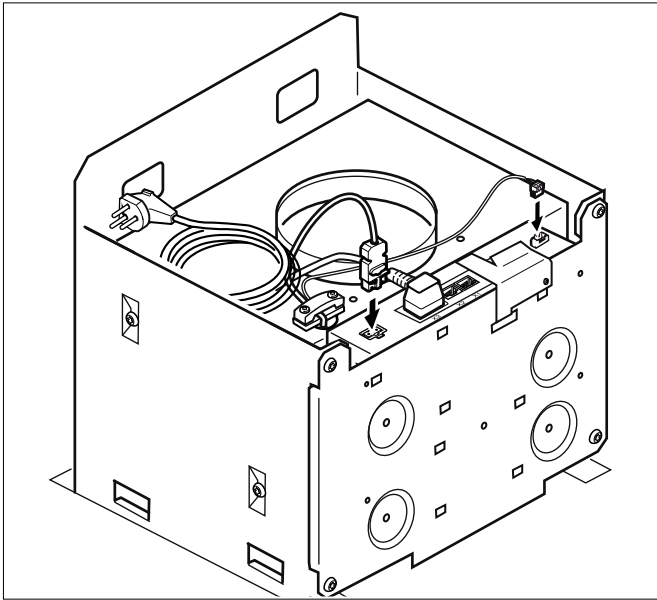
- 2 For combination with internal remote fan unit**
AR 400 743 only: Unscrew the cover plate from the ventilation hood: Loosen the four screws, remove the cover plate and screw the four screws in again.



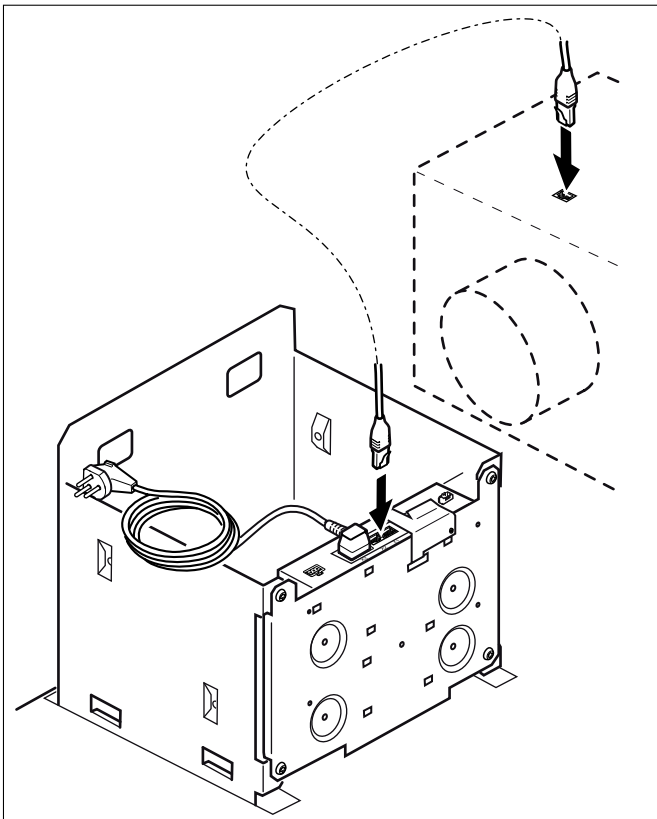
Slide the remote fan unit into the ventilation hood from above. Use four screws to secure it in place.



Connect the mains cable and control cable to the control module.

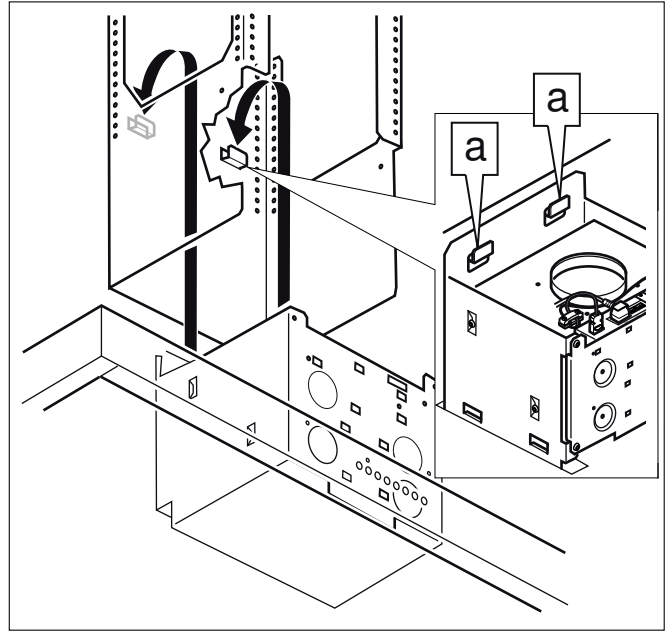


- 3 For a combination with external remote fan unit AR4.. only:** Use the network cable to connect the external remote fan unit and the ventilation hood's control module. The plug must snap into place. Connect the mains cable to the control unit.



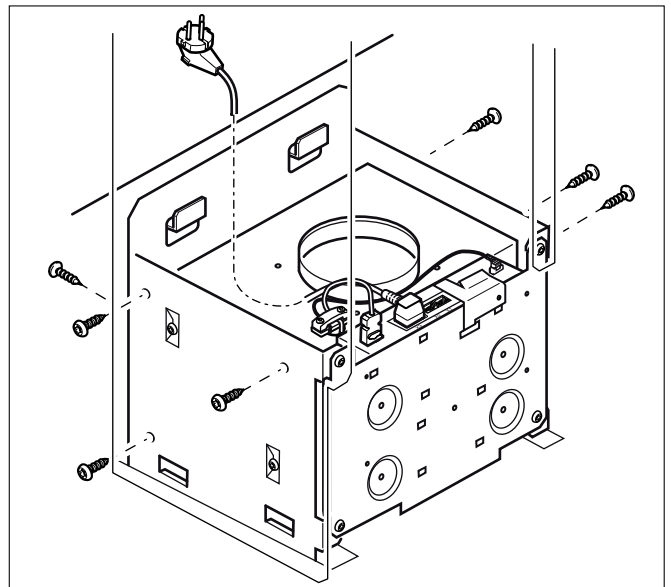
Note: The X1 and X2 connection sockets are identical.

- 4** Slide the ventilation hood up into the support frame from below and hook it into the two angle brackets (a).



Note: Ensure that the mains cable is not trapped.

- 5** Align the ventilation hood so that it is straight and use seven screws to fasten the ventilation hood to the support frame.



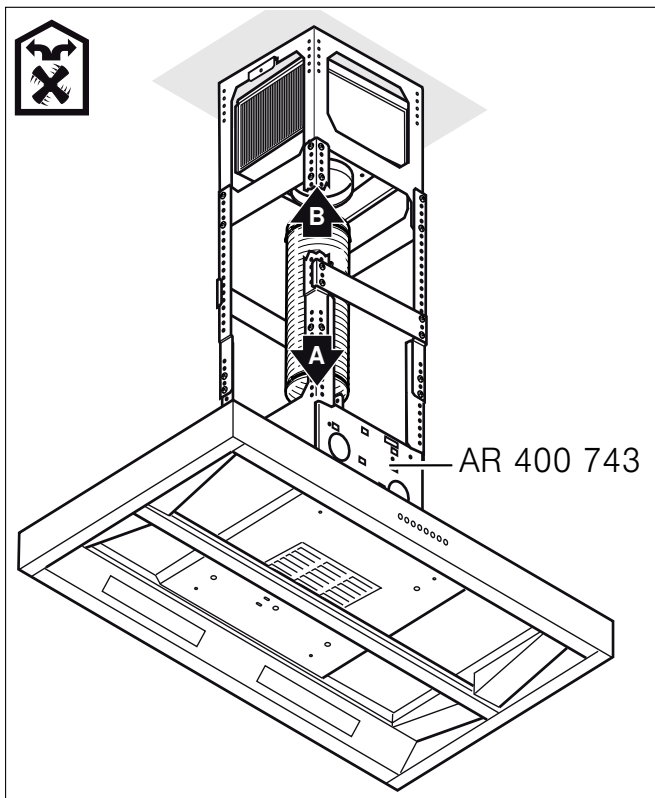
Connect appliance

Notes

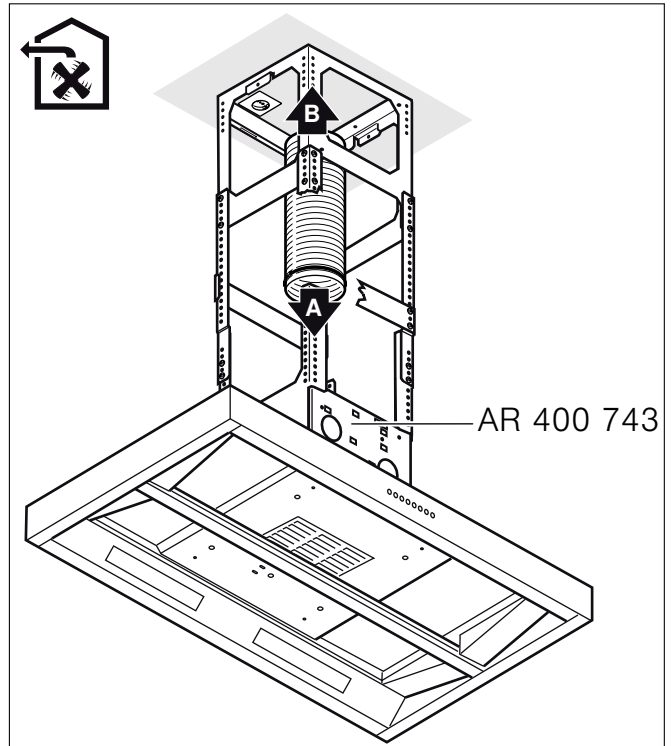
- With operation in extraction air mode , a back-pressure flap should be installed. If no back-pressure flap is included with the appliance, it can be ordered from a specialist retailer.
- If the exhaust air is conveyed through the outer wall, a telescopic wall box should be used.
- If an aluminum pipe is used, smooth the connection area beforehand.

Establishing the connection for the exhaust air

- 1 **Recirculation mode units with internal remote fan unit AR 400 743:** Attach the exhaust air pipe directly to the fan motor's air pipe connector (A).

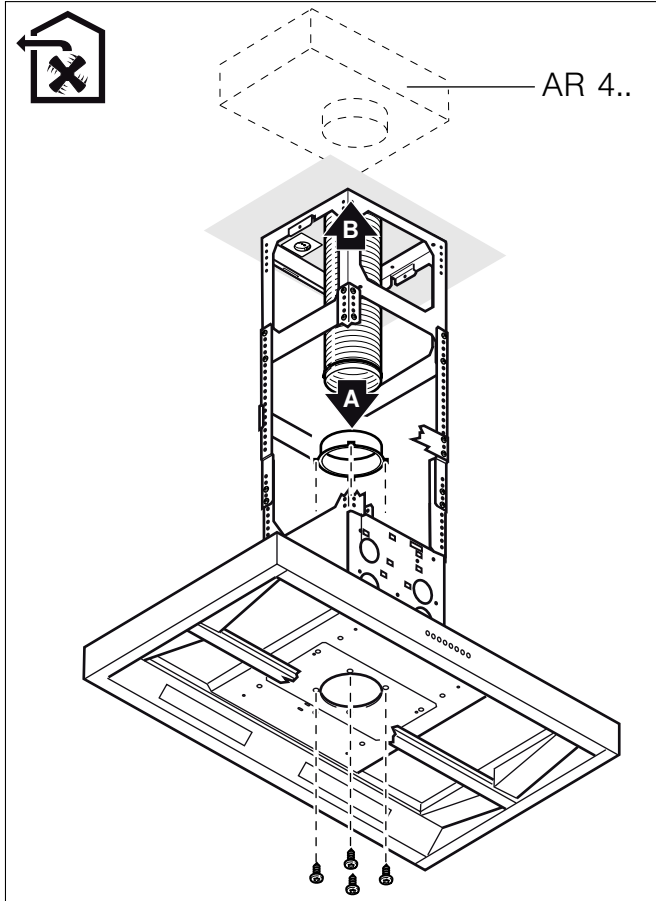


- 2 **Extraction mode units with internal remote fan unit AR 400 743:** Attach the exhaust air pipe directly to the fan motor's air pipe connector (A).



3 Extraction mode units with external remote fan unit AR 4..:

- Unscrew the connecting pieces from the cover plate in the ventilation hood.
- Secure the exhaust air pipe to the connecting piece (A).
- Screw the connecting piece to the cover plate in the ventilation hood.



- 4 Connect it to the air extractor opening (B).
5 Seal the joints appropriately.

Connecting the power supply

- 1 Plug the mains plug into the grounded socket.
- 2 If a fixed connection is required, please follow the instructions in the **Electrical Connection** section.

Attaching flue duct

⚠ WARNING

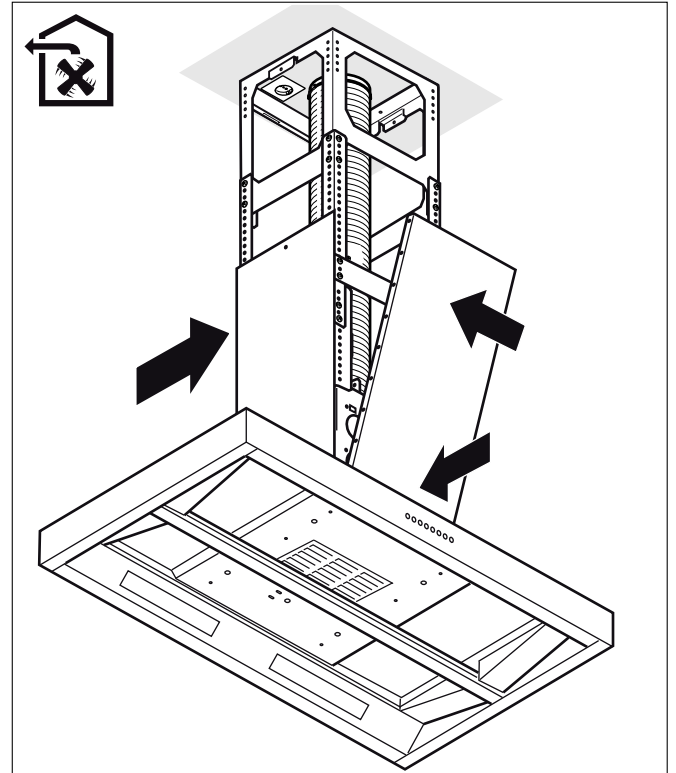
Risk of injury

Components inside the appliance may have sharp edges. Wear protective gloves.

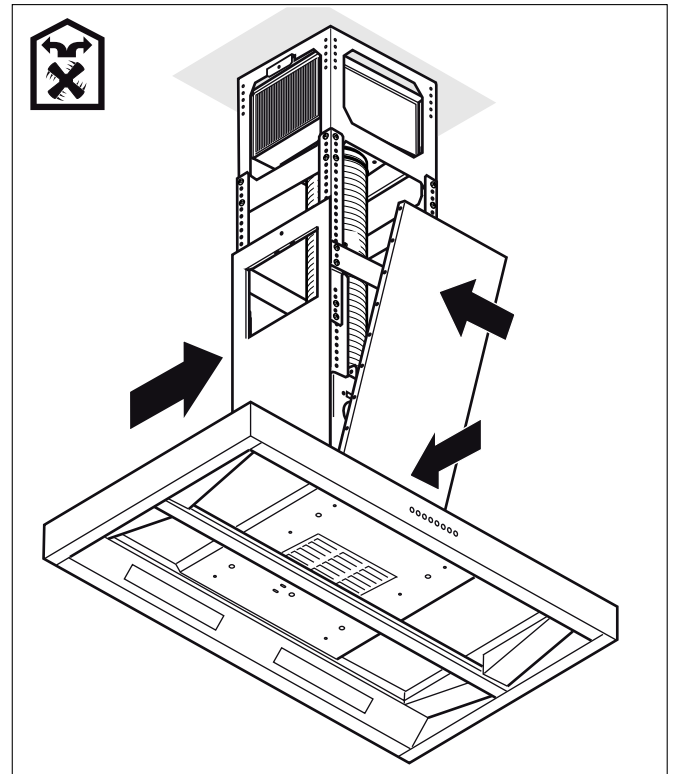
- 1 Remove the protective film from the flue ducts.

- 2 Place both parts of the upper flue duct on the appliance such that they fit together.

Model with air extraction mode

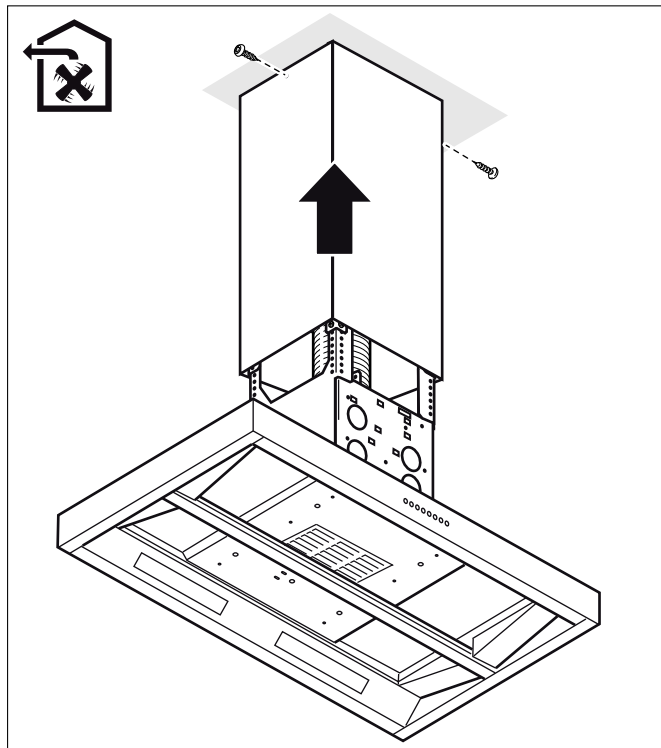


Models with air recirculation mode

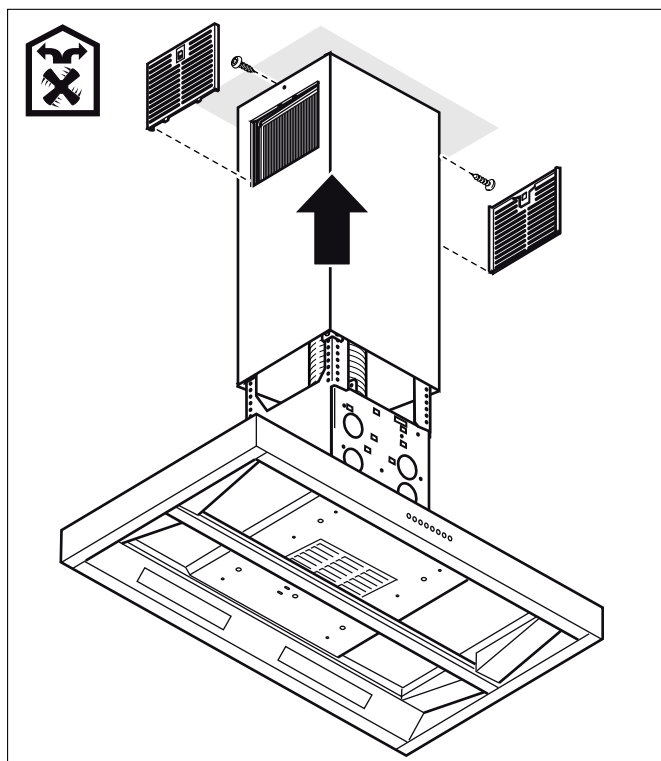


- 3 Push the upper flue duct up and use two screws to secure it at the top.

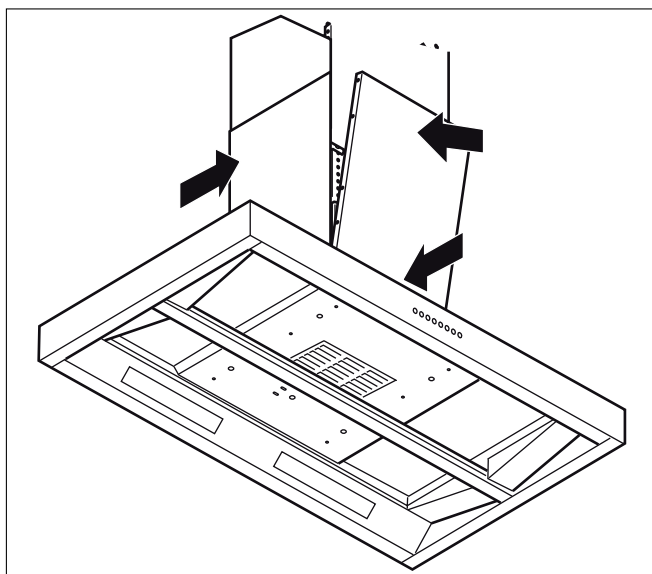
Model with air extraction mode



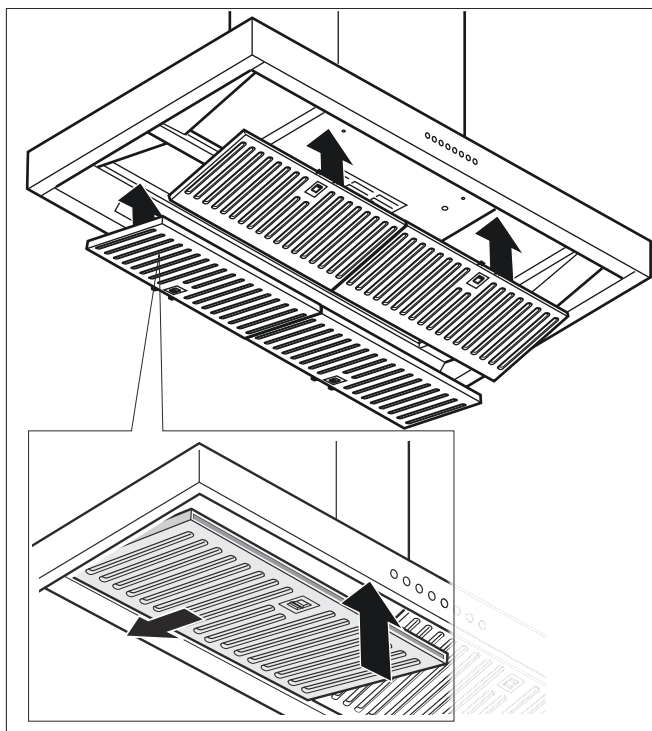
Models with air recirculation mode



- 4** Place both parts of the lower flue duct on the appliance such that they fit together.



- 5** Fit the grease filter.



Additional switching output

Work must only be carried out on the additional switching output by a qualified electrician in accordance with the country-specific requirements and standards.

The appliance has an additional switching output X16 (potential-free contact) that can be used to connect other appliances, such as a ventilation system that is available at the installation site. The contact is closed when the fan is switched on, and is opened when the fan is switched off.

The switching output is located under a cover. Maximum switching power 30 V/1 A (AC/DC). The signal that is connected to the contact must correspond to class of protection 3.

Networked operation

Several appliances can be networked together. The light and fan on each of the appliances are operated synchronously.

Connect the appliances in series via the connector sockets X1 and X2 (equal value). The sequence of the networking does not have any effect. If the enclosed network cables are too short, use a commercially available network cable (min. Cat. 5, shielded).

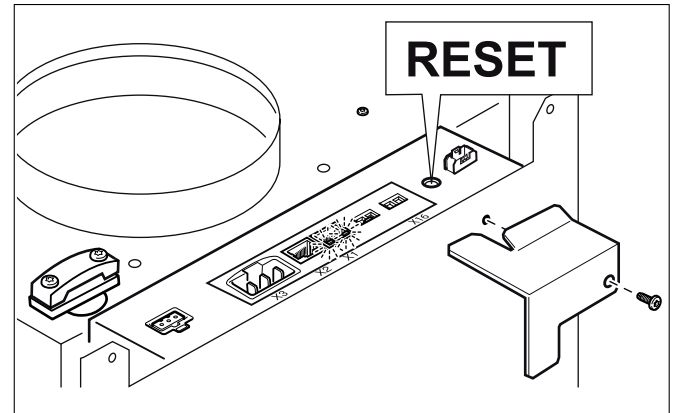
Maximum number of networked appliances: 20. Total length of all of the network cables: 40 m. During the initial installation, a qualified electrician must check that the system functions correctly.

If one of the networked appliances fails (power interruption, network cable disconnected), this leads to the fan function being blocked for the entire system. All of the buttons on the appliance flash.

When changing the configuration, the system must be re-initialized:

- 1 Unscrew the cover plate.
- 2 Press and hold the reset button until both LEDs light up continuously (approx. 5 seconds). Then release the button within 5 seconds.
- 3 Screw on the cover plate.

- 4 After initialization, have a qualified electrician check that the system functions correctly.



Connect Electrical Supply

⚠ WARNING

Risk of electric shock

Parts inside the appliance can have sharp edges. The connection cable can be damaged. Do not bend or pinch connection cables during installation.

Refer to data plate for more information. See "Service" for data plate location.

The branch-circuit breakers ampacity, the wire sizes and the connections must conform to the requirements of the National Electrical Code or Canadian Electrical Code and all local codes and ordinances.

This appliance is connected with a plug

- Plug has to conform with NEMA CONFIGURATIONS FOR PLUGS AND RECEPTACLES.
- The appliance must be properly grounded.
- Plug must be rated not less than type 6-20 P (2-pole 3-wire grounding).
- Only a qualified electrician should connect the plug.
- Install a socket outlet earthed in accordance with regulations approx. 27" (700 mm) above the floor behind the appliance. The socket outlet must still be accessible after installation.

Removing the appliance

- 1 Remove the grease filter.
- 2 Loosen the flue duct.
- 3 Disconnect the appliance from the power supply.
- 4 Loosen the exhaust air lines.
- 5 Undo the fastening screws.
- 6 Remove the appliance.

Customer service


If your appliance needs repairs, our customer service is there for you. We work hard to help solve problems quickly and without unnecessary service calls, getting your appliance back up and running correctly in the least amount of time possible.

When you call, please indicate the product number (E-Nr.) and serial number (FD-Nr.) so that we can support you in a qualified manner. The identification plate listing the numbers can be found inside of the appliance (remove metal grease filter to find it).

To avoid having to search for a long time when you need it, you can enter your appliance data and the customer support telephone number here.

E-Nr.

FD-Nr.

Customer Service 

Please read the use and care instructions provided with your appliance. Failure to do so may result in an error in using the appliance. This could result in a service call that instead of fixing a mechanical issue is only needed for customer education. Such calls are not covered by the appliance warranty.

Please find the contact data of all countries in the enclosed customer service list.

To book an engineer visit and product advice

USA 877 442 4436
toll-free

CANADA 877 442 4436
toll-free

You can rely on the manufacturer's expertise. Rest assured that the repair will be handled by trained service technicians who have the original replacement parts for your appliance.

Définitions de Sécurité

AVERTISSEMENT

Le non-respect de cet avertissement peut entraîner la mort ou des blessures graves.

ATTENTION

Le non-respect de cet avertissement peut entraîner des blessures mineures ou modérées.

AVIS : Vous indique que des dommages à l'appareil ou aux biens peuvent survenir si vous ne respectez pas cet avertissement.

Remarque : Vous signale des informations importantes ou des conseils.

CONSIGNES DE SÉCURITÉ IMPORTANTES

LIRE ET CONSERVER CES INSTRUCTIONS

INSTALLATEUR : LAISSEZ CES INSTRUCTIONS AVEC L'APPAREIL APRÈS UNE FOIS L'INSTALLATION TERMINÉE.

IMPORTANT : CONSERVER CES INSTRUCTIONS POUR L'USAGE DE L'INSPECTEUR ÉLECTRIQUE LOCAL.

AVERTISSEMENT

Si l'information de ce guide n'est pas suivie exactement, il peut en résulter un incendie ou un choc électrique causant des dommages à la propriété, des blessures ou la mort.

AVERTISSEMENT

Ne pas réparer ni remplacer toute pièce de l'appareil à moins que cela ne soit expressément recommandé dans ce manuel. Ne jamais modifier ni altérer la configuration de l'appareil. Toute installation, réparation ou maintenance inadéquate peut entraîner des blessures ou des dommages matériels. Se reporter à ce manuel pour obtenir des conseils sur la façon de procéder. Toute réparation doit être effectuée par un centre de réparation autorisé par l'usine.

AVERTISSEMENT

ATTENTION – AFIN DE RÉDUIRE LES RISQUES D'INCENDIE, DE CHOC ÉLECTRIQUE OU DE BLESSURES CORPORELLES, VEUILLEZ SUIVRE LES INSTRUCTIONS SUIVANTES :

- Les travaux d'installation et de raccordement électrique doivent être effectués par une personne qualifiée, conformément aux codes et standards de construction, y compris ceux concernant le feu.
- Assurez-vous que l'aération est suffisante pour permettre la combustion et l'évacuation des gaz par le conduit de cheminée d'un appareil à combustible afin de prévenir le refoulement d'air. Respectez les instructions du fabricant de l'appareil de chauffage et les normes de sécurité, comme celles publiées par la National Fire Protection Association (NFPA) et par la American Society for Heating, Refrigeration and Air Conditioning Engineers (ASHRAE), ainsi que par les autorités locales.
- Lorsque vous faites une ouverture dans un mur ou un plafond, veillez à ne pas endommager les fils électriques ou les conduites qui y sont dissimulés.
- Les soufflantes canalisées doivent donner sur l'extérieur.

AVERTISSEMENT

Pour l'installation de la hotte, vous devez respecter tous les règlements des entreprises de distribution d'électricité et de construction régionaux applicables.

AVERTISSEMENT

Risque d'incendie

Les dépôts se trouvant dans le filtre à graisse peuvent s'enflammer. Ne jamais cuisiner à proximité de l'appareil avec une flamme ouverte (par exemple pour faire flamber). Installer l'appareil près d'un foyer pour combustibles solides (bois ou charbon par exemple) seulement s'il y a un couvercle fermé et non amovible. Il ne faut pas qu'il se produise de projection d'étincelles.

AVERTISSEMENT

Risque d'incendie

Le fonctionnement simultané de plusieurs feux gaz engendre une forte production de chaleur. Le cas échéant, l'appareil de ventilation peut être endommagé ou s'enflammer. L'appareil de ventilation doit uniquement être combiné avec des feux gaz dont la puissance totale maximale ne dépasse pas 61,000 Btu/hr (18 kW). Si la puissance maximale dépasse 41,000 Btu/hr (12 kW), les prescriptions locales en matière de ventilation, de volume de la pièce et de combinaison avec des appareils de ventilation en mode aspiration ou ventilation doivent être observées.

AVERTISSEMENT

Pour réduire le risque de feu et pour évacuer correctement l'air, évacuez l'air vers l'extérieur. N'évacuez pas l'air dans les murs, les plafonds, les greniers, les vides sanitaires ou les garages.

AVERTISSEMENT

Pour réduire les risques de feu, utiliser uniquement des gaines en métal.



CONSIGNES DE SÉCURITÉ IMPORTANTES

LIRE ET CONSERVER CES INSTRUCTIONS

AVERTISSEMENT

Lorsque la hotte aspirante est utilisée en mode d'évacuation d'air simultanément avec un brûleur différent utilisant également la même cheminée, (tels des appareils de chauffage au gaz, à l'huile ou au charbon, des chauffe-eau instantanés ou des chaudières à eau chaude), veillez à ce que l'apport d'air frais soit suffisant pour assurer la combustion adéquate du brûleur.

Un fonctionnement sans risque est possible si la sous-pression dans la pièce où le brûleur est installé ne dépasse pas 4 Pa (0,04 mbar).

On peut y parvenir en acheminant l'air requis pour la combustion à travers des ouvertures non verrouillables, par exemple dans les portes et fenêtres, et en association avec des boîtiers muraux d'admission/d'évacuation d'air fixées au mur ou grâce à d'autres mesures techniques telles qu'un verrouillage réciproque, etc.

AVERTISSEMENT

Évitez l'intoxication au monoxyde de carbone. – Prévoyez une admission d'air adéquate pour empêcher l'aspiration des gaz de combustion dans la pièce. Un boîtier mural air d'admission/air d'échappement ne peut garantir que la valeur limite ne sera pas dépassée.

Remarque : Lorsque vous évaluez les exigences globales, vous devez tenir compte du système combiné d'aération de la maison au complet. Cette règle ne s'applique pas aux appareils de cuisson, comme les surfaces de cuisson et les fours.

ATTENTION

Appareil conçu exclusivement pour la ventilation générale. Ne pas utiliser pour évacuer des matières et vapeurs dangereuses ou explosives.

Risque d'endommagement par le reflux de condensat. Installer le canal d'évacuation d'air légèrement incliné vers le bas à partir de l'appareil (1° de pente).

Sécurité de manipulation de l'appareil

Cet appareil est lourd et il faut au moins deux personnes ou l'équipement approprié pour le déplacer.

Certaines surfaces peuvent avoir des bords tranchants. Faire attention en étendant le bras derrière l'appareil ou en dessous.

AVERTISSEMENT

Risque de blessure

Si l'appareil n'est pas correctement fixé au mur, il risque de tomber. Tous les éléments de fixation doivent être montés solidement et de façon sûre.

Codes et normes de sécurité

Cet appareil est conforme à la version la plus récente de l'une ou plusieurs des normes suivantes :

- UL 507 - Ventilateurs électrique (Electric Fans)
- CAN/CSA C22.2 No. 113 - Ventilateurs et soufflantes (Fans and Ventilators)

Il incombe à l'installateur de déterminer si des exigences et/ou normes additionnelles s'appliquent pour des installations spécifiques.

Sécurité électrique

AVERTISSEMENT

INSTRUCTIONS DE MISE À LA TERRE

Cet appareil doit être mis à la terre. En cas de court-circuit électrique, la mise à la terre réduira le risque de choc électrique en offrant au courant électrique un fil d'évacuation.

Cet appareil est muni d'un cordon électrique comportant un conducteur de terre et une prise de mise à la terre. La fiche doit être branchée dans une prise qui a été installée et mise à la terre de façon appropriée.

AVERTISSEMENT

Une mise à la terre inadéquate peut entraîner un risque de choc électrique. Consultez un électricien qualifié si vous ne comprenez pas parfaitement les instructions de mise à la terre ou si vous avez des doutes quant à la qualité de la mise à la terre. N'utilisez pas de rallonge. Si le cordon d'alimentation est trop court, demandez à un électricien d'installer une prise à proximité de l'appareil. .

CONSIGNES DE SÉCURITÉ IMPORTANTES

LIRE ET CONSERVER CES INSTRUCTIONS

AVERTISSEMENT

Avant de brancher un cordon électrique ou de mettre l'appareil sous tension, s'assurer que les commandes sont en position d'ARRÊT.

Pour les appareils dotés d'un cordon et d'une fiche, ne pas couper ou enlever la broche de mise à la terre. Le cordon doit être branché dans une prise de courant adaptée de type mise à la terre pour éviter tout risque d'électrocution. S'il y a un doute en ce qui concerne la mise à la terre de la prise murale, le client devra s'adresser à un électricien qualifié.

S'il y a lieu, conformément au Code national de l'électricité (ou au Code canadien de l'électricité), cet appareil doit être installé sur un circuit de dérivation séparé.

AVERTISSEMENT

Pour réduire le risque de feu ou de choc électrique, ne pas utiliser cet aérateur avec un variateur de vitesse à semi-conducteur.

Installateur – Indiquer au propriétaire l'emplacement du disjoncteur ou du fusible. Identifier sa position pour pouvoir le retrouver facilement.

Avant l'installation, mettre l'appareil hors service au panneau de service. Verrouiller le panneau d'entrée d'électricité pour éviter que le courant ne soit accidentellement rétabli.

AVERTISSEMENT

AFIN DE RÉDUIRE LES RISQUES D'INCENDIE, DE CHOC ÉLECTRIQUE OU DE BLESSURES CORPORELLES, VEUILLEZ SUIVRE LES INSTRUCTIONS SUIVANTES :

- Utilisez cet appareil seulement de manière conforme à l'usage prévu par le fabricant. Si vous avez des questions, contactez le fabricant.
 - Avant le nettoyage ou l'entretien de l'appareil, mettez-le hors tension sur le tableau électrique et verrouillez les dispositifs de sectionnement afin d'empêcher toute remise sous tension accidentelle. S'il est impossible de verrouiller les dispositifs de sectionnement, fixez de manière sûre au tableau électrique un dispositif d'alerte bien visible, par exemple une étiquette.
-

S'assurer que l'appareil est installé et mis à la terre par un technicien qualifié. L'installation, les connexions

électriques et la mise à la terre doivent être conformes à tous les codes applicables.

AVERTISSEMENT

Risque de choc électrique

Les pièces se trouvant dans l'appareil peuvent présenter des arêtes vives. Le cordon de branchement peut être endommagé. Ne pas couder ni coincer le cordon de branchement pendant la pose.

Sécurité apparentée concernant l'équipement

Enlever le ruban adhésif et l'emballage avant d'utiliser l'appareil. Détruire l'emballage après avoir déballé l'appareil. Ne jamais laisser les enfants jouer avec les matériaux de conditionnement.

L'utilisation sécuritaire n'est garantie que si l'installation de la table de cuisson se fait par un spécialiste conformément à ces instructions. L'installateur est responsable de tout dommage résultant d'une installation incorrecte.

Ne jamais modifier ni altérer la configuration de l'appareil. Par exemple, ne pas retirer les pieds de nivellement, les panneaux, les couvercles de câblage ou les fixations/vis antibasculement.

Avertissements de la Proposition 65 de l'État de la Californie

AVERTISSEMENT

Ce produit contient des produits chimiques connus de l'État de la Californie pour causer le cancer, des anomalies congénitales ou d'autres problèmes de reproduction.

Préparatifs du montage

ATTENTION

Veillez à ce qu'il n'y ait pas de conduites électriques, de tuyaux de gaz ou d'eau au niveau des perçages.

Vérifier le plafond

- Le plafond doit être plat, horizontal et offrir une portance suffisante.
- La profondeur des trous percés doit être adaptée à la longueur des vis. Les chevilles doivent offrir une retenue sûre.
- Les vis et chevilles fournies conviennent pour la maçonnerie massive. En présence d'autres matériaux de construction (par ex. Rigips, béton cellulaire, briques Poroton), il faut utiliser des moyens de fixation correspondants.
- La hotte aspirante pèse **198 lbs (90 kg)** max.

Instructions générales

AVERTISSEMENT

Danger de mort

Il y a risque d'intoxication par réaspiration des gaz de combustion. L'air sortant ne doit pénétrer ni dans une cheminée en service destinée à évacuer la fumée ou des gaz brûlés, ni dans une gaine servant à aérer les locaux où sont installés des foyers à combustion. Si l'air sortant circule par une cheminée non en service destinée à évacuer la fumée ou des gaz brûlés, il faudra consulter un ramoneur compétent dans votre quartier.

Mode évacuation

Remarque : Il ne faut pas rejeter l'air usé dans une cheminée d'évacuation en service, ni dans un conduit servant à la ventilation de pièces où sont installés des foyers.

- Pour rejeter l'air dans un conduit de fumées qui n'est pas en service, il faut demander l'accord du maître ramoneur compétent.
- Si l'air est évacué à travers le mur extérieur de l'habitation, il faut utiliser un caisson mural télescopique.

Conduit d'évacuation

Remarque : Le fabricant de l'appareil décline toute garantie en cas de réclamation imputable à des problèmes liés au parcours des conduits.

- L'appareil atteindra un rendement supérieur si le conduit d'évacuation est court et droit et que son diamètre est grand.
- Si les conduits d'évacuation sont longs, présentent de nombreux coudes ou ont un diamètre inférieur à 6 po (150 mm), la puissance maximale d'aspiration ne sera pas atteinte et le ventilateur fera plus de bruit.
- Les tuyaux rigides ou souples constituant le conduit d'évacuation doivent être fabriqués dans un matériau ininflammable.
- Pour raccorder des tuyaux de diamètres différents, utiliser du ruban d'étanchéité.
- Nous recommandons un diamètre intérieur de 6 po (150 mm), avec un minimum de 4¼ po (120 mm).

AVIS : Risque d'endommagement par le reflux de condensat. Installer le canal d'évacuation d'air légèrement incliné vers le bas à partir de l'appareil (1° de pente).

Branchement électrique

⚠ AVERTISSEMENT

Risque de choc électrique

Les pièces se trouvant dans l'appareil peuvent présenter des arêtes vives. Le cordon de branchement peut être endommagé. Ne pas couder ni coincer le cordon de branchement pendant la pose.

Les données de raccordement nécessaires se trouvent sur la plaque signalétique sur l'appareil.

Cet appareil est conforme aux dispositions CE régissant l'antiparasitage.

Cet appareil ne doit être raccordé qu'à une prise de courant avec mise à la terre installée de manière réglementaire.

Installer la prise de courant avec mise à la terre de préférence directement à l'intérieur du capot de cheminée.

- La prise de courant avec mise à la terre doit être raccordée à un circuit électrique dédié.
- Si la prise de courant avec mise à la terre n'est plus accessible après l'installation de l'appareil, il faut intercaler dans le câblage un sectionneur omnipolaire (par ex. disjoncteur pour protéger la ligne, les fusibles et les contacteurs) présentant une ouverture d'au moins 3 mm entre les contacts.

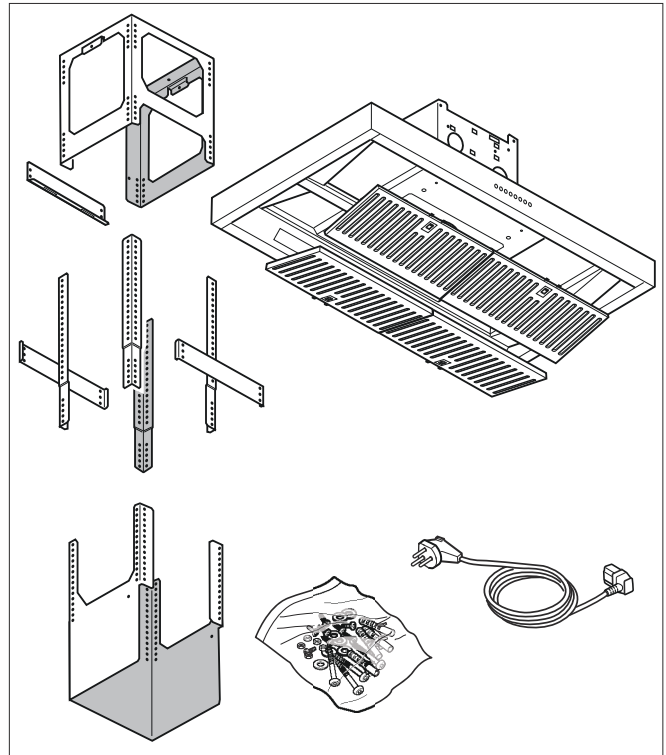
Avant de commencer

Outils et pièces nécessaires

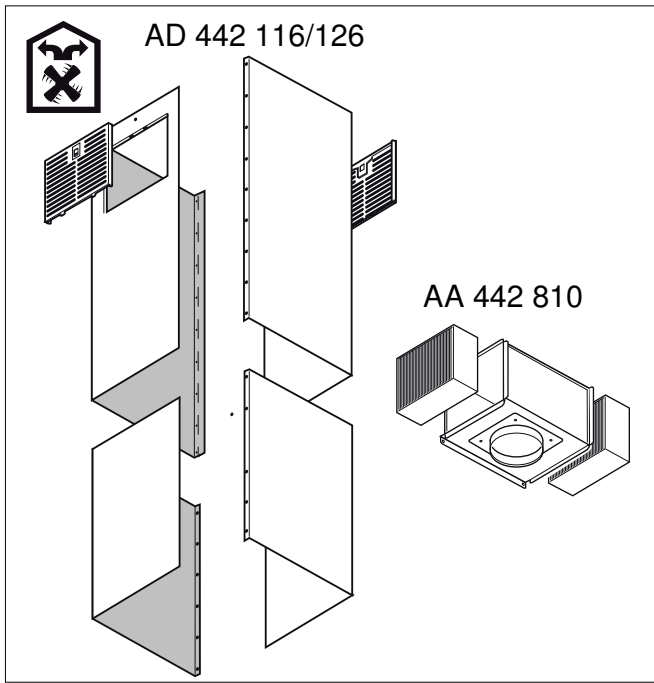
- Décamètre à ruban
- Crayon
- Tournevis Torx TX20
- Perceuse avec les forets suivants : 5/16" (8 mm)
- Clé de serrage, 7 mm
- Niveau à bulle
- Ruban en aluminium (NE PAS utiliser un ruban isolant)
- Canal d'évacuation d'air (la configuration dépend de la situation de montage).
- Vis à tôle supplémentaires (si nécessaires pour l'installation du conduit d'évacuation)

Pièces comprises

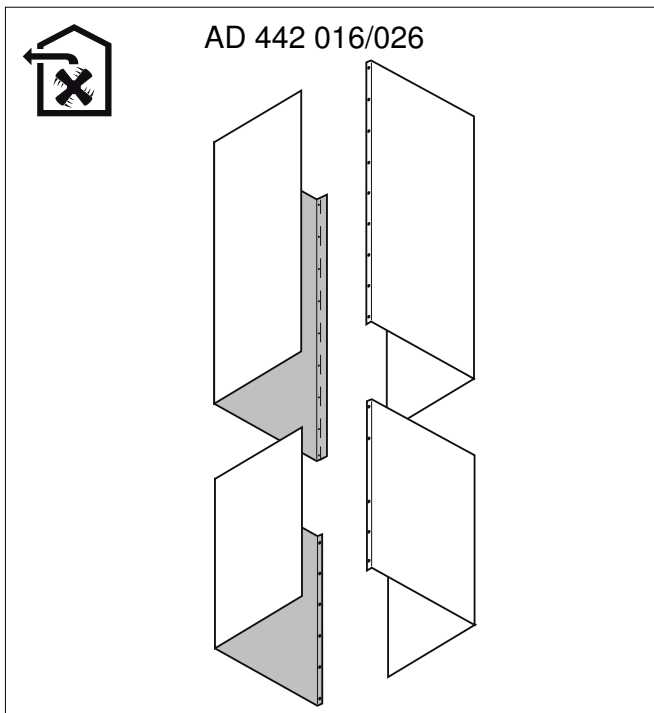
Tous les modèles



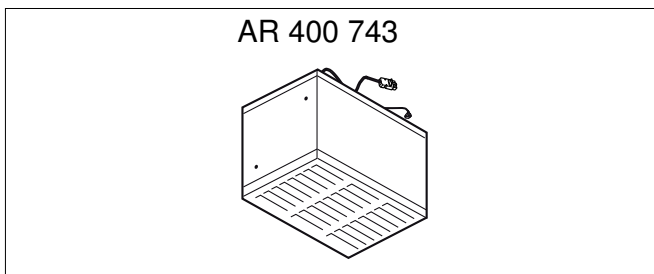
Modèles avec mode recyclage



Modèles avec mode évacuation extérieure

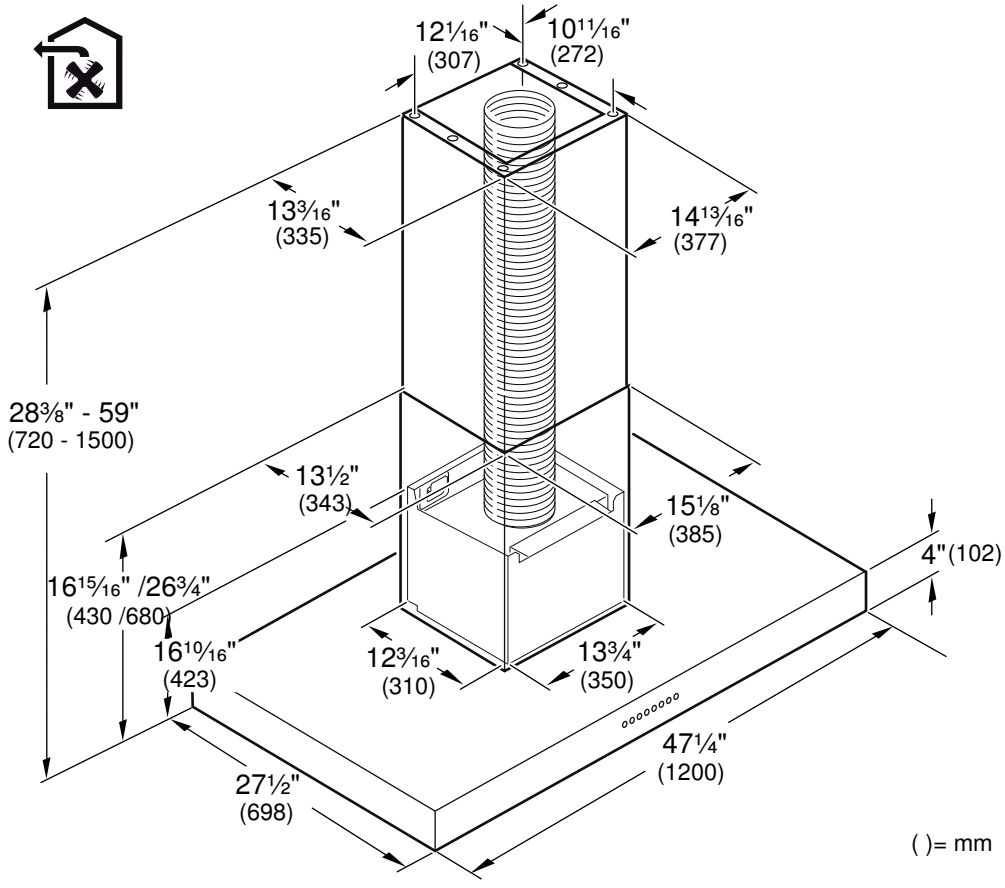


Accessoire : Moteur de ventilateur

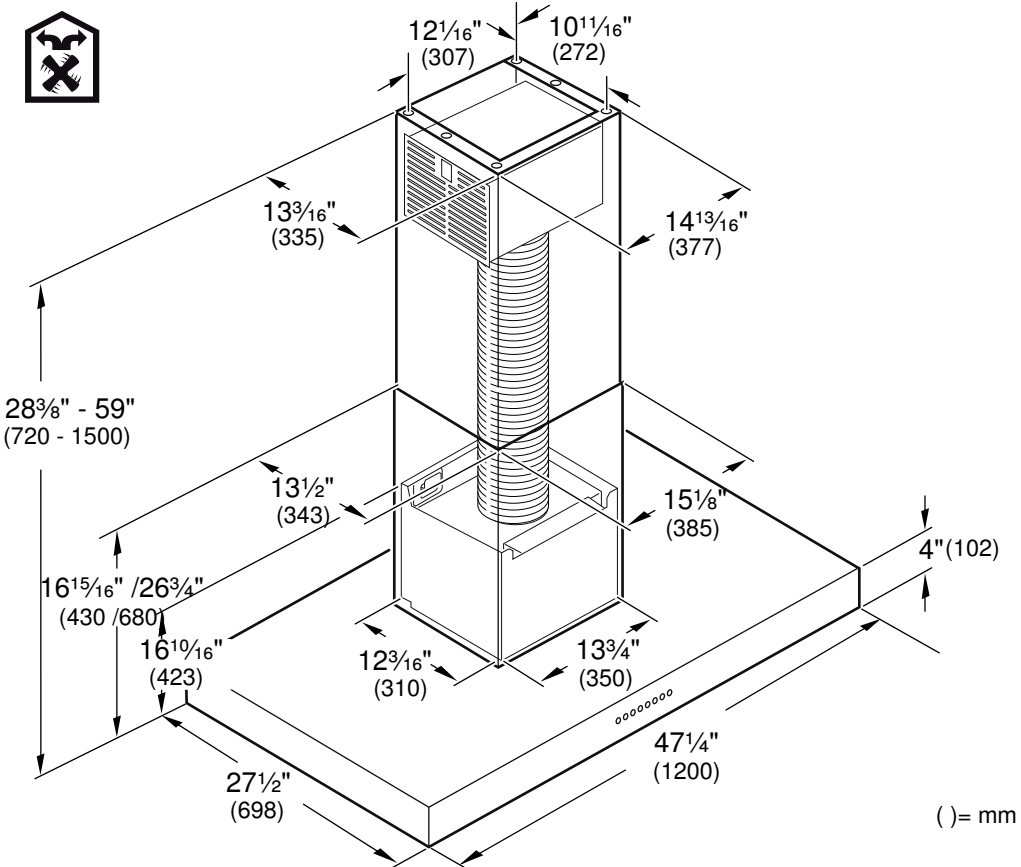


Cotes de l'appareil

Modèles avec mode évacuation extérieure



Modèles avec mode recyclage



Distances de sécurité

⚠ AVERTISSEMENT

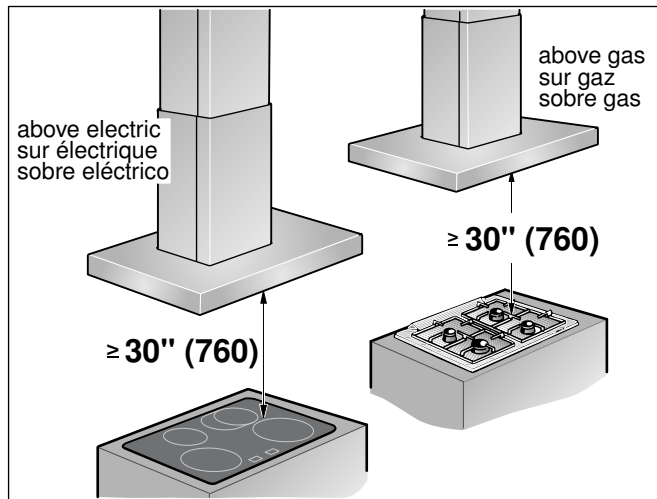
Risque d'incendie

Les dépôts de graisse dans le filtre à graisse peuvent s'enflammer. Les distances de sécurité indiquées doivent être respectées, afin d'éviter une accumulation de chaleur. Veuillez respecter les indications relatives à votre appareil de cuisson. Si votre table de cuisson combine des foyers gaz et électrique, l'écart maximal s'applique.

L'appareil ne peut jouxter que sur un côté un meuble haut ou une paroi. La distance vers la paroi ou le meuble haut doit être d'au moins 2" (50 mm).

La distance entre la surface de rangement sur la table de cuisson et le dessous de la hotte ne doit pas être inférieure à 760 mm (30") pour les tables de cuisson électriques et à 760 mm (30") pour les cuisinières à gaz ou combinées.

Si les instructions d'installation de l'appareil de cuisson au gaz spécifient une plus grande distance, celle-ci doit être prise en compte.



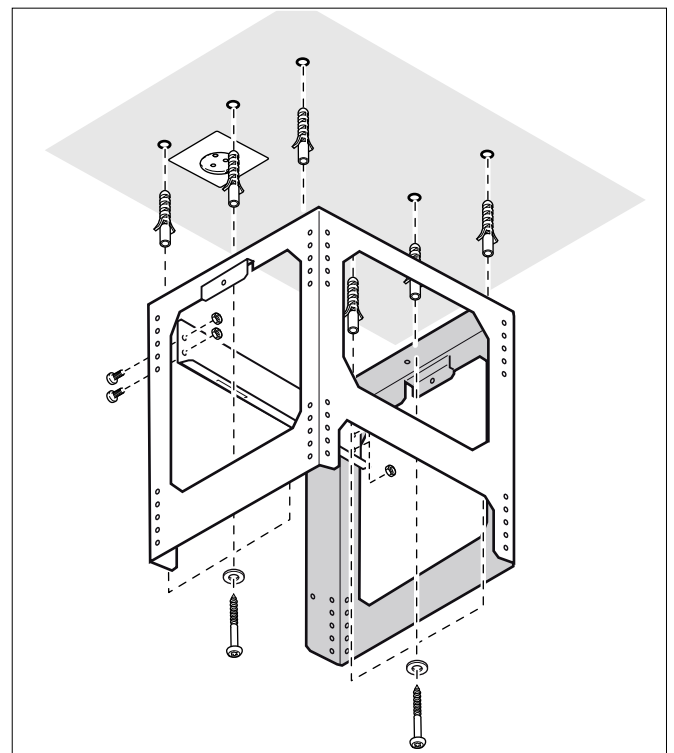
Installation

Sécurité transport

Pour le transport, le cadre porteur est fixé avec des vis à tôle. Retirez ces vis à tôle avant le montage.

Montage du châssis-support supérieur

- 1 Avant le montage, définissez la hauteur totale du châssis-support.
Remarque : Le châssis-support est réglable en hauteur par crans de $\frac{3}{4}$ po (20 mm).
- 2 Marquez les positions des 6 vis contre le plafond.
Remarque : Veillez à ce que le châssis-support se trouve dans une position correcte. Un bandeau de commande de l'appareil se situe sur le côté ouvert du châssis-support. L'autre bandeau de commande se situe sur le côté opposé.
- 3 Percez les trous et enfoncez les chevilles jusqu'au ras de la surface.
- 4 Montez la tôle de renfort par l'intérieur sur le châssis-support à l'aide de 4 vis.
- 5 Fixez le châssis-support supérieur contre le plafond à l'aide de 6 vis.

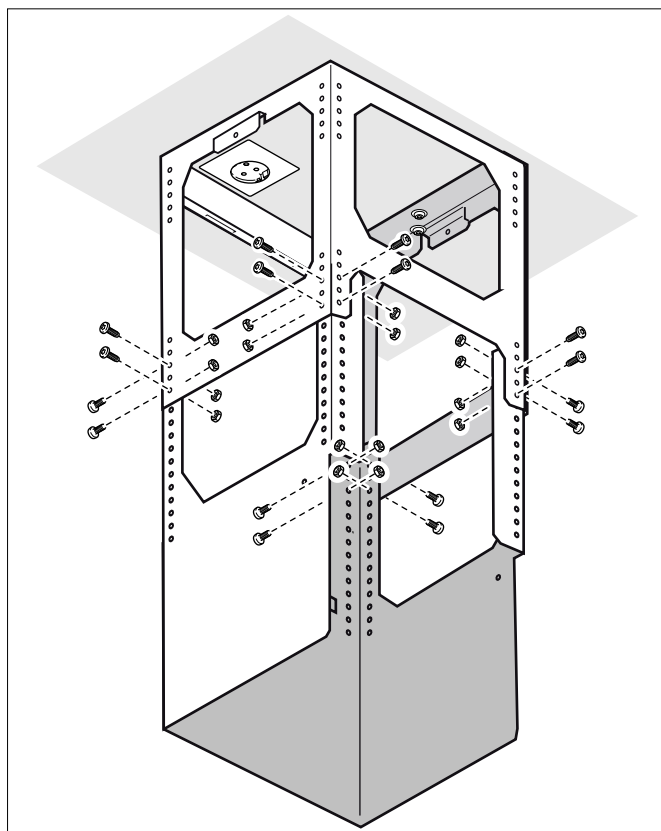


Montage du châssis-support inférieur sans rallonge

- 1 Veillez à ce que le châssis-support inférieur se trouve dans une position correcte.

Remarque : Positionnez le côté ouvert du châssis-support inférieur face au côté ouvert du châssis-support supérieur.

- 2 Poussez le châssis-support inférieur dans le châssis-support supérieur et fixez-le à la hauteur totale définie à l'aide de 16 vis.

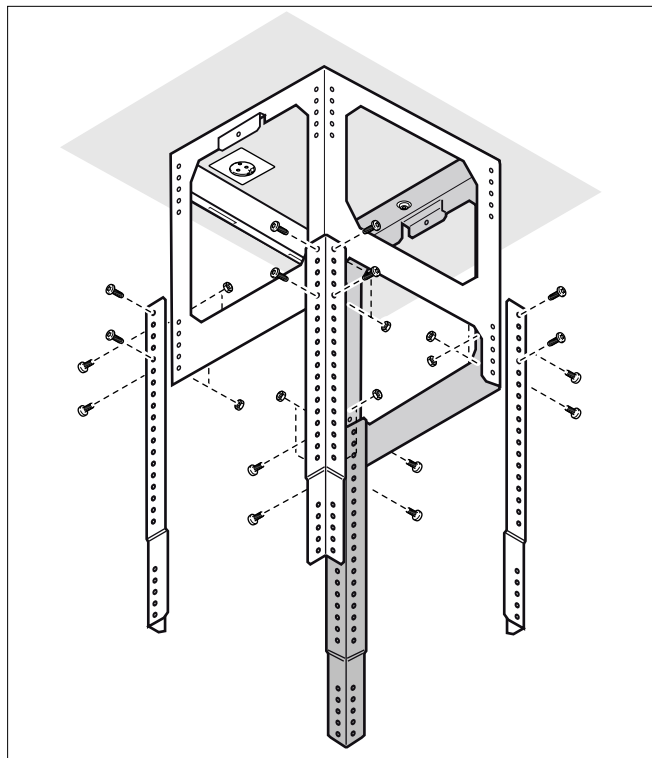


Remarques

- Choisissez les trous de fixation de sorte à obtenir un écart maximal entre les vis. Cela influe sur la stabilité.
- Laissez au moins un trou de fixation libre entre les vis.

Montage du châssis-support inférieur avec rallonge

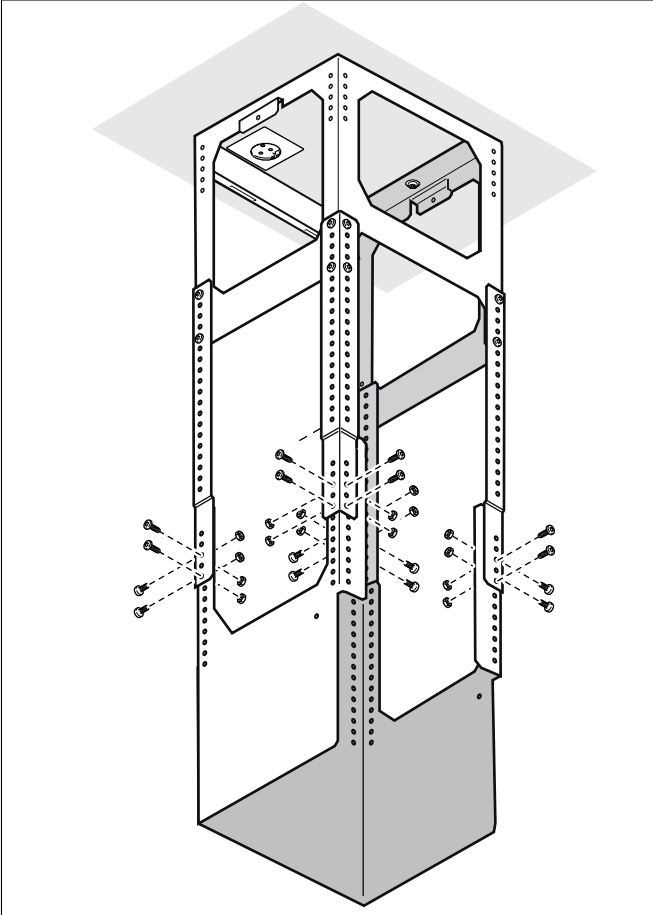
- 1 Poussez la rallonge depuis l'extérieur sur le châssis-support supérieur et fixez-la à l'aide de 16 vis.



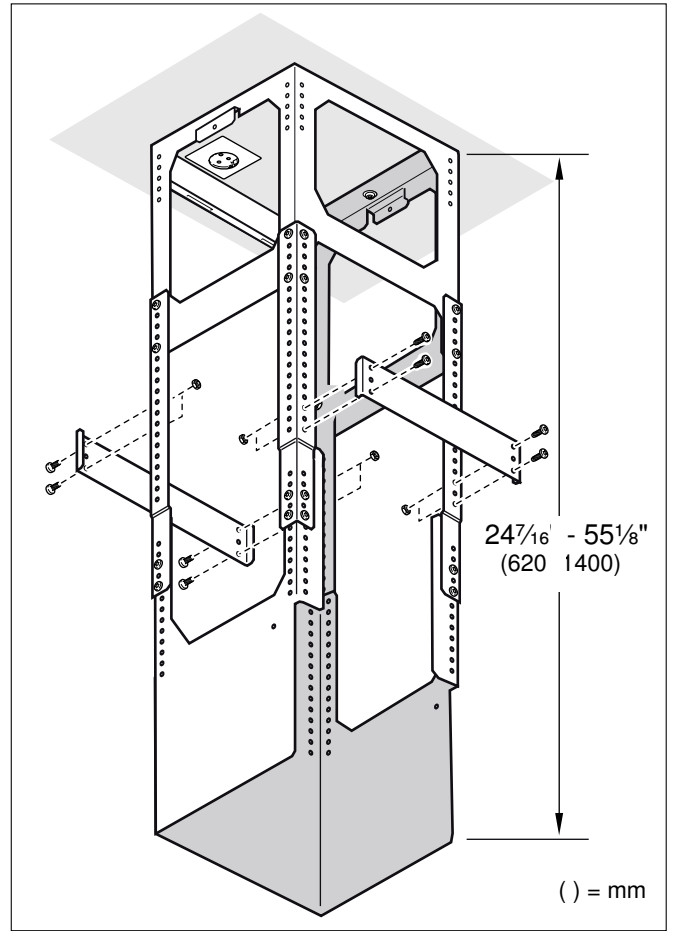
- 2 Veillez à ce que le châssis-support inférieur se trouve dans une position correcte.

Remarque : Positionnez le côté ouvert du châssis-support inférieur face au côté ouvert du châssis-support supérieur.

- 3 Poussez le châssis-support inférieur dans la rallonge et fixez-le à la hauteur totale définie à l'aide de 16 vis.

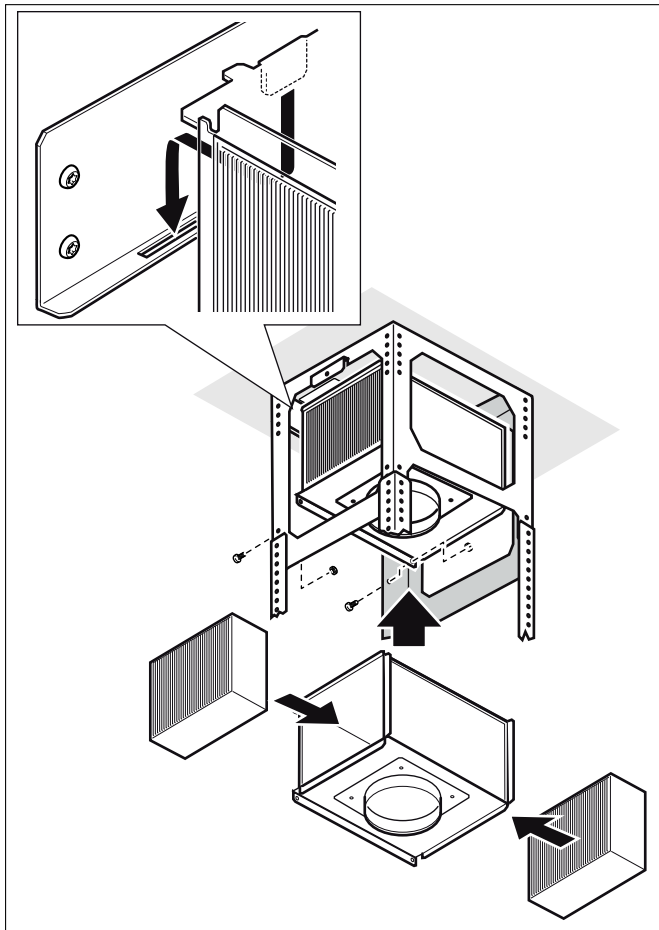


- 4 Montez deux cornières de renfort.

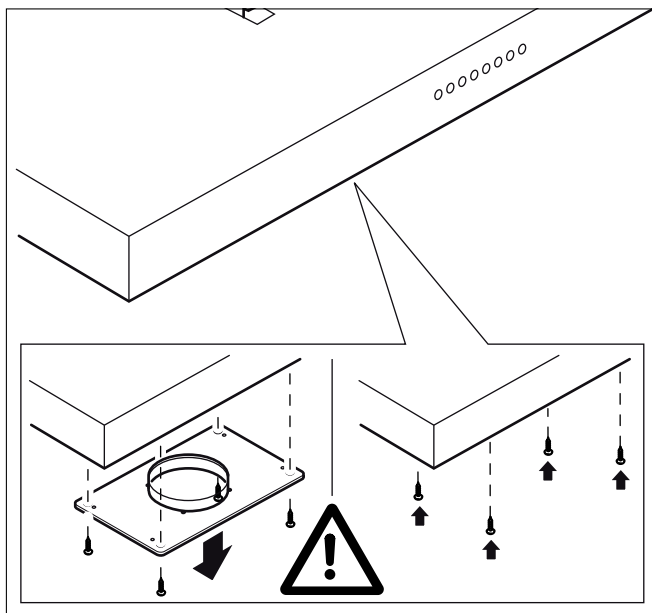


Montage de l'appareil

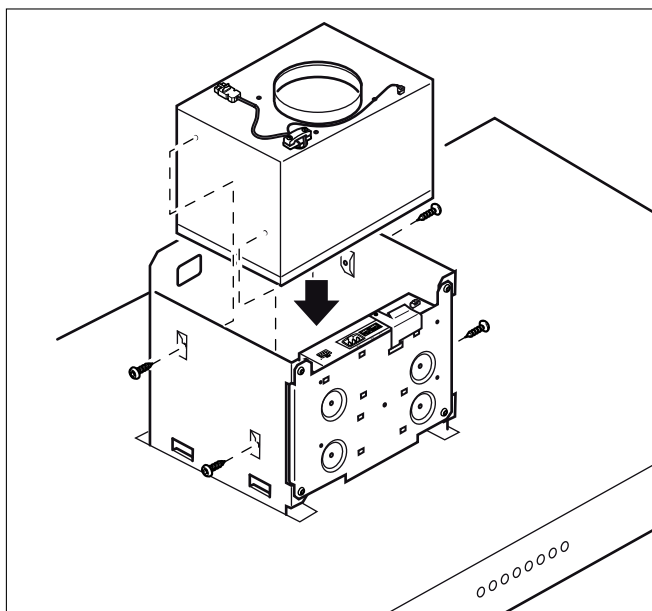
- 1 En cas de version recyclage uniquement :** Mettre en place les filtres des deux côtés dans le module de recyclage de l'air AA 442 810. Introduisez et accrochez le module de recyclage de l'air par en dessous dans le châssis-support. Fixez-le avec 2 vis.



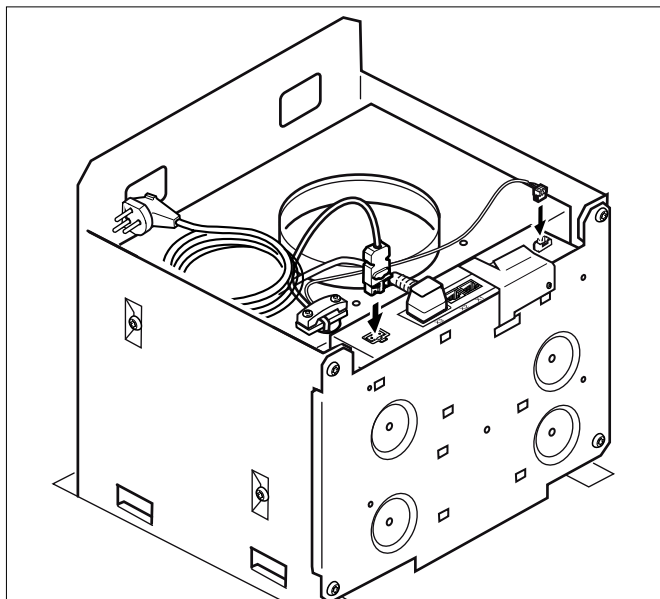
- 2 Pour la combinaison avec moteur séparé AR 400 743 uniquement :** Dévissez la tôle de recouvrement dans la hotte : desserrez 4 vis, retirez la tôle de recouvrement, revissez 4 vis.



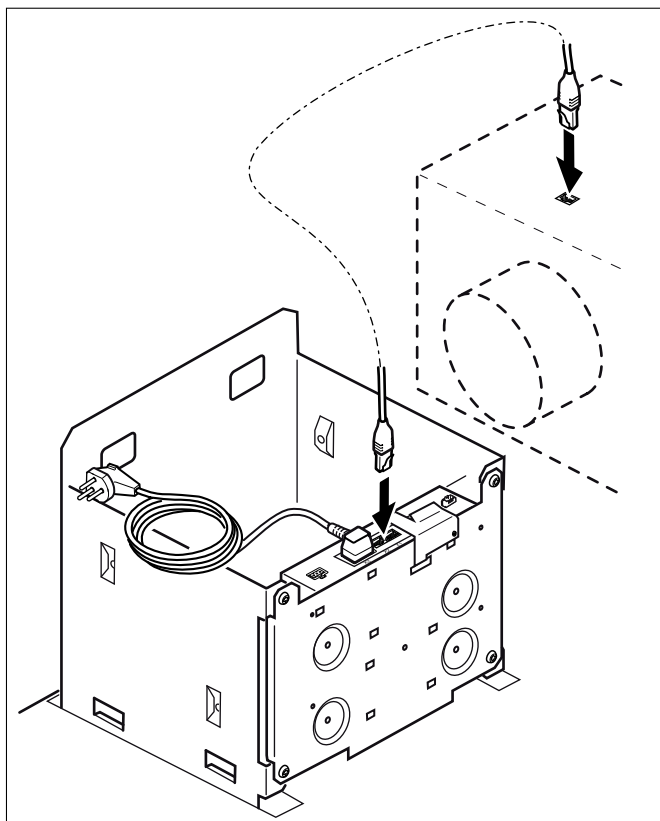
Introduisez le moteur séparé par en haut dans la hotte. Fixez-le avec 4 vis.



Raccordez le câble secteur et le câble de commande au module de commande.

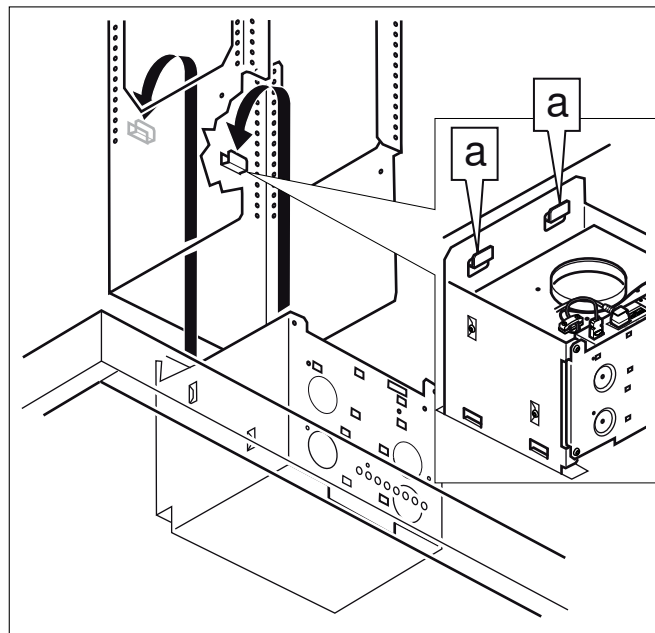


- 3** Pour la combinaison avec moteur séparé externe AR4.. : Raccordez le moteur séparé externe et le module de commande de la hotte avec le câble secteur. Les fiches doivent s'enclencher. Raccordez le câble secteur au module de commande. Raccordez le câble secteur au module de commande.



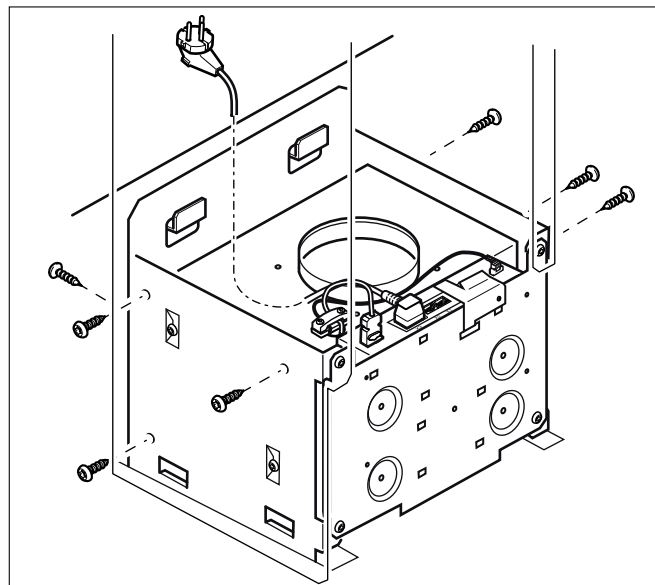
Remarque : Les prises de raccordement X1 et X2 sont identiques.

- 4** Accrochez la hotte par en bas dans les deux cornières (a) du châssis-support.



Remarque : Assurez-vous que le câble secteur n'est pas coincé.

- 5** Alignez soigneusement la hotte et fixez-la au châssis-support à l'aide de 7 vis.



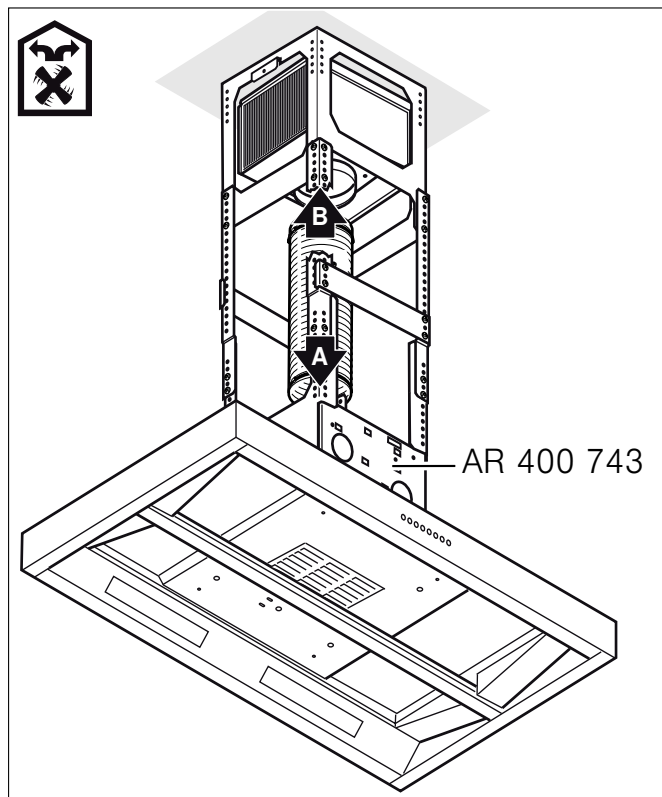
Brancher l'appareil

Remarques

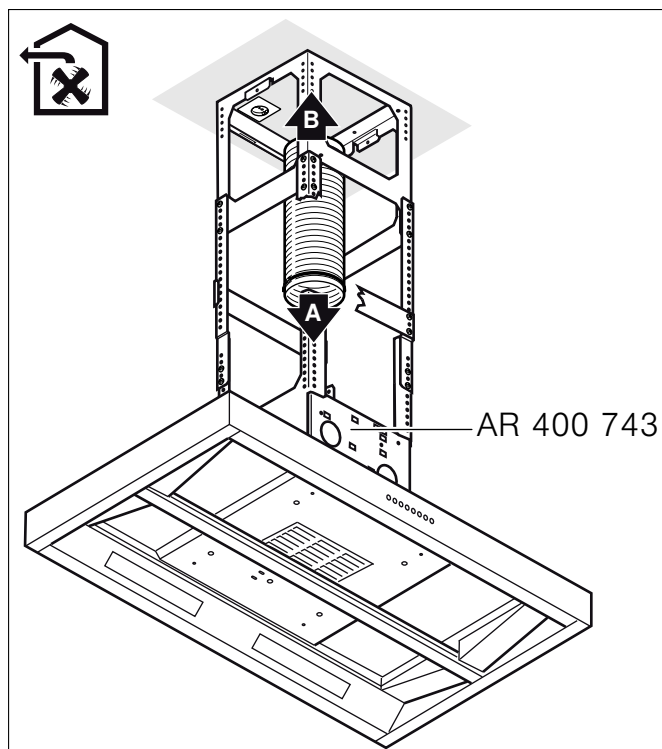
- En mode Évacuation de l'air, un volet anti-refoulement doit être installé. Si un volet anti-refoulement n'est pas fourni avec l'appareil, il peut être acheté dans un commerce spécialisé.
- Si l'air sortant traverse la paroi extérieure, il faudrait utiliser un caisson télescopique mural.
- En cas d'utilisation d'un tuyau en aluminium, lisser au préalable la zone de raccordement.

Effectuer le raccordement de l'évacuation de l'air

- 1 **Appareil du mode recyclage avec moteur séparé interne AR 400 743 :** Fixez le conduit d'évacuation directement sur le manchon d'évacuation du moteur séparé (A).

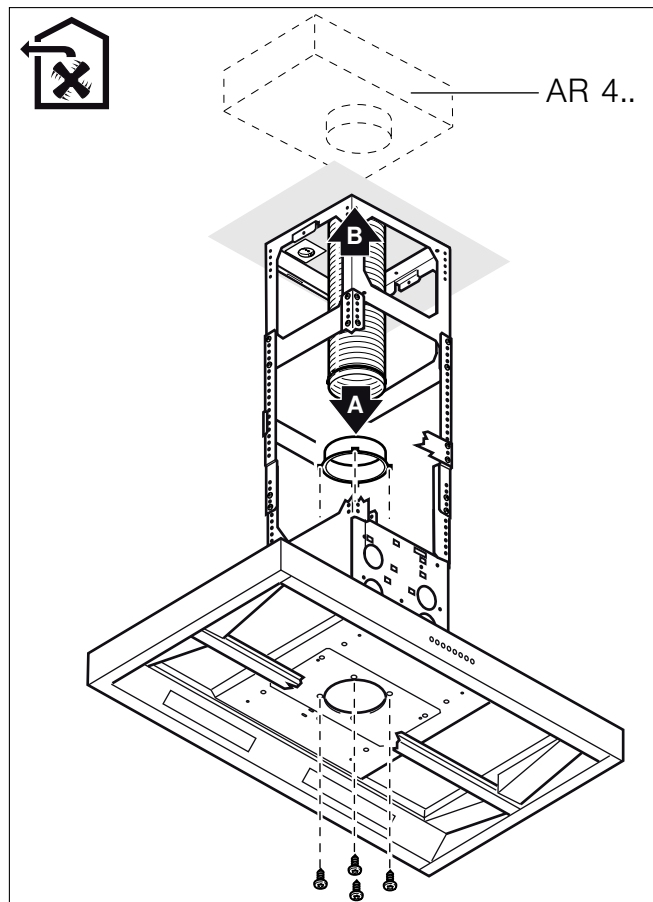


- 2 **Appareil de mode d'évacuation avec moteur séparé interne AR 400 743:** Fixez le conduit d'évacuation directement sur le manchon d'évacuation du moteur séparé (A).



- 3 **Appareil de mode d'évacuation avec moteur externe AR 4.. :**

- Dévissez la pièce de connexion de la tôle de recouvrement dans la hotte.
- Fixez le conduit d'évacuation sur la pièce de connexion (A).
- Vissez fermement la pièce de connexion sur la tôle de recouvrement dans la hotte.



- 4 Effectuez la jonction vers l'orifice d'évacuation d'air (B).
- 5 Étanchez les zones de jonction de façon appropriée.

Effectuer le raccordement électrique

- 1 Brancher la fiche secteur sur la prise avec mise à la terre.
- 2 Si un raccordement fixe est nécessaire, respecter les consignes dans le chapitre **Raccordement électrique**.

Montage du capot de cheminée

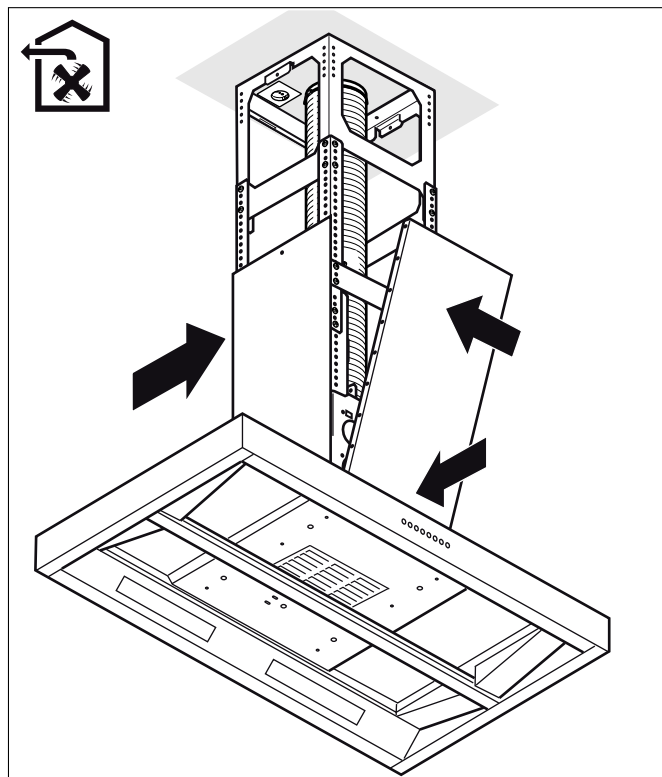
AVERTISSEMENT

Risque de blessure

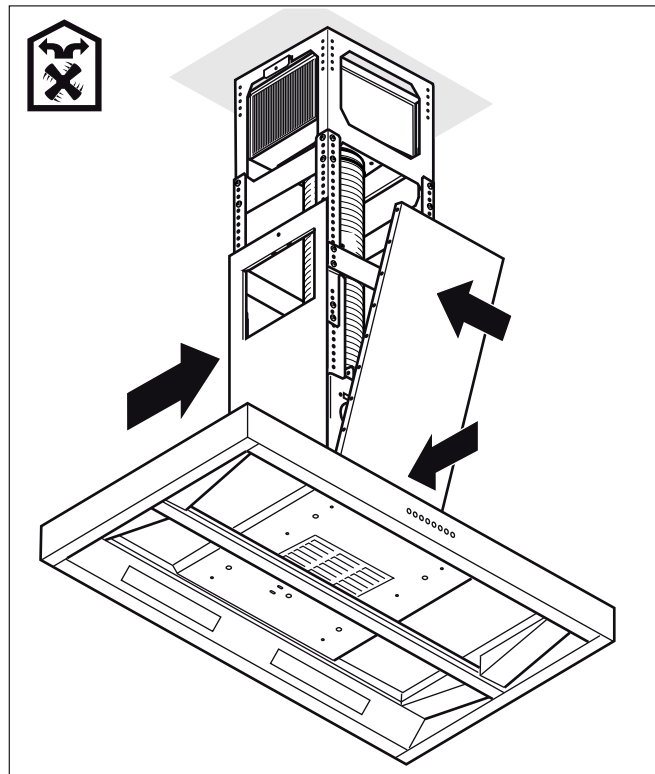
Les pièces se trouvant dans l'appareil peuvent présenter des arêtes vives. Porter des gants de protection.

- 1 Retirez la pellicule protectrice des capots de cheminée.
- 2 Posez sur l'appareil les deux pièces formant la partie supérieure du capot de cheminée et emboîtez-les ensemble.

Modèles avec mode évacuation extérieure

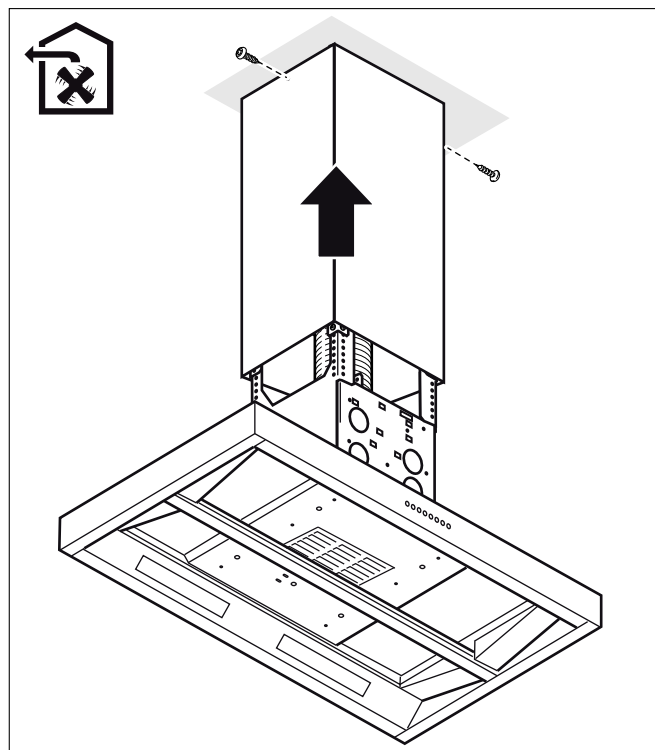


Modèles avec mode recyclage

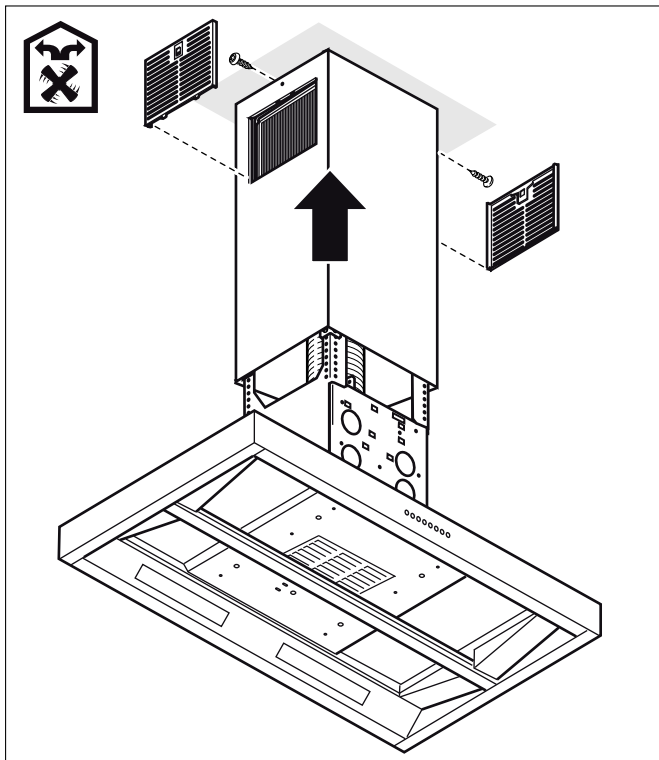


- 3 Poussez le capot de cheminée supérieur vers le haut et fixez-le à l'aide de 2 vis.

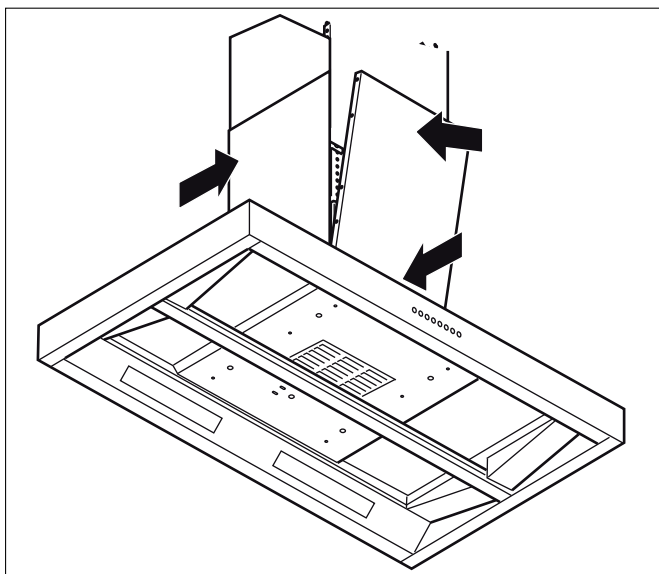
Modèles avec mode évacuation extérieure



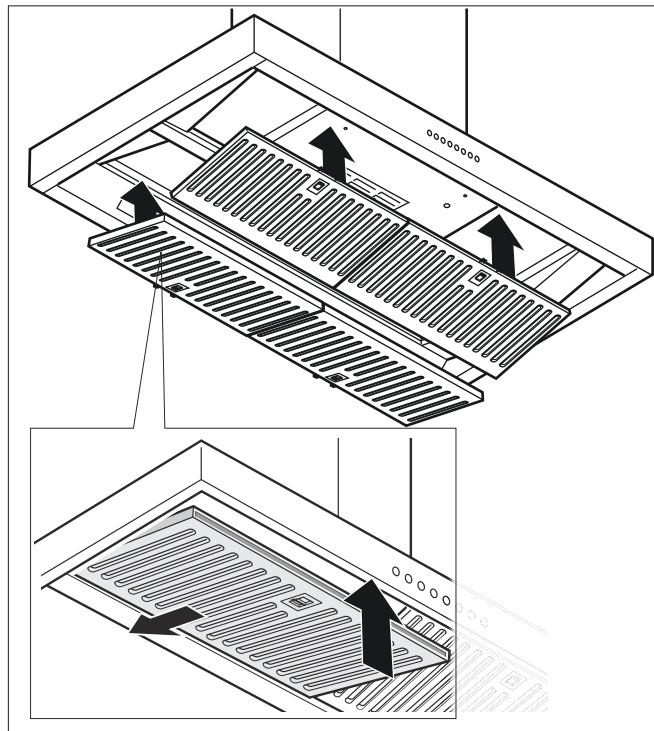
Modèles avec mode recyclage



- 4 Posez sur l'appareil les deux pièces formant la partie inférieure du capot de cheminée et emboîtez les ensemble.



- 5 Mettez en place le filtre à graisse.



Sortie de commutation supplémentaire

Les travaux sur la sortie de commutation supplémentaire doivent uniquement être effectués par un électricien qualifié, en respectant les règlements et normes spécifiques au pays.

L'appareil possède une sortie de commutation supplémentaire X16 (contact sans potentiel) pour le raccordement d'autres appareils, tels qu'une installation de ventilation existante côté site. Le contact est fermé lorsque le ventilateur est en marche et est ouvert lorsque le ventilateur est éteint.

La sortie de commutation se situe sous un couvercle. Puissance de commutation maximale 30 V/1 A (CA/CC). Le signal qui est raccordé au contact doit correspondre à la classe de protection 3.

Utilisation en réseau

Plusieurs appareils peuvent être interconnectés. La lumière et la ventilation de tous les appareils fonctionnent de manière synchrone.

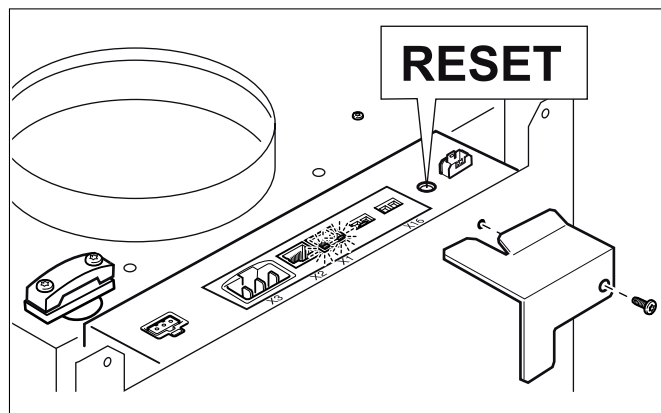
Relier les appareils en série via les prises de raccordement X1 et X2 (équivalentes). L'ordre de l'interconnexion n'a pas d'influence. Si les câbles réseau fournis sont trop courts, utiliser un câble réseau usuel commercial (au moins Cat5, blindé).

Nombre max. de participants : 20 appareils. Longueur totale de tous les câbles réseau : 40 m. La fonction de l'installation doit être vérifiée par un technicien qualifié lors de l'installation initiale.

La panne d'un participant (coupure de tension, séparation du câble réseau) conduit au blocage de la fonction de ventilation de l'ensemble du système. Toutes les touches sur l'appareil clignotent.

En cas de modification de la configuration, l'installation doit être réinitialisée :

- 1 Dévisser la tôle de protection.
- 2 Appuyer sur la touche Réinitialiser (Reset) jusqu'à ce que les deux DEL soient allumées en continu (env. 5 secondes). Relâcher ensuite la touche dans les 5 secondes.
- 3 Visser la tôle de protection.
- 4 Faire vérifier le fonctionnement de l'installation par un technicien qualifié après l'initialisation.



Brancher l'alimentation électrique

AVERTISSEMENT

Risque de choc électrique

Les pièces se trouvant dans l'appareil peuvent présenter des arêtes vives. Le cordon de branchement peut être endommagé. Ne pas couder ni coincer le cordon de branchement pendant la pose.

Consulter la plaque signalétique pour en savoir plus. Pour savoir où se trouve la plaque signalétique, se reporter à la rubrique "Service après-vente".

Le courant admissible des disjoncteurs divisionnaires, la taille des câbles et les connexions doivent être conformes aux exigences du Code électrique national ou du Code électrique canadien ainsi qu'à tous les codes et règlements locaux.

Ce appareil est relié avec une fiche

- La fiche doit être conforme aux normes NEMA pour fiches et prises de courant.
- L'appareil doit être correctement mis à la terre.
- La fiche d'alimentation doit être au minimum du type 6-20 P (2 broches, 3 fils avec terre).
- Le branchement de la fiche doit être fait exclusivement par un électricien qualifié.
- Poser une prise de courant avec terre conformément à la réglementation, à environ 27" (700 mm) au-dessus du sol derrière l'appareil. La prise de courant doit rester accessible après la pose de l'appareil.

Démontage de l'appareil

- 1 Retirer le filtre à graisse.
- 2 Détacher le capot de cheminée.
- 3 Mettre l'appareil hors tension.
- 4 Détacher les conduits d'évacuation.
- 5 Desserrer les vis de sécurité.
- 6 Enlever l'appareil.

Service après-vente

Si votre appareil doit être réparé, notre service après-vente est à votre disposition. Nous trouvons toujours une solution adaptée, y compris pour éviter les visites inutiles de techniciens.

Lors de votre appel, indiquez le numéro du produit (n° E) et le numéro de série (n° FD) afin que nous puissions vous donner une réponse précise. Vous trouverez la plaque signalétique à l'intérieur de l'appareil (après avoir retiré le filtre à graisse en métal).

Pour ne pas avoir à chercher longtemps en cas de besoin, vous pouvez inscrire ici les références de l'appareil et le numéro de téléphone du service après-vente.

N° E

N° FD

Service après-vente 

N'oubliez pas qu'en cas de fausse manœuvre, la visite d'un technicien d'après-vente n'est pas gratuite, même pendant la garantie.

Vous trouverez les données de contact pour tous les pays dans l'annuaire ci-joint du service après-vente.

Demande de réparation et conseils en cas de dysfonctionnement

CA 877 442 4436

toll-free

Faites confiance à la compétence du fabricant. Ainsi vous êtes assurés que la réparation sera effectuée par des techniciens formés qui possèdent les pièces de rechange d'origine pour votre appareil.

Definiciones de Seguridad

ADVERTENCIA

Esto indica que se pueden producir lesiones graves o la muerte si no se cumple con esta advertencia.

ATENCION

Esto indica que pueden producirse lesiones leves o moderadas si no se cumple con esta advertencia.

AVISO: Esto indica que puede producirse un daño al electrodoméstico o a la propiedad como resultado de la falta de cumplimiento de este aviso.

Nota: Esto lo alerta sobre información y/o consejos importantes.

INSTRUCCIONES DE SEGURIDAD IMPORTANTES

LEA Y CONSERVE ESTAS INSTRUCCIONES

INSTALADOR: DEJE ESTAS INSTRUCCIONES CON EL ELECTRODOMÉSTICO CUANDO HAYA FINALIZADO LA INSTALACIÓN.

IMPORTANTE: CONSERVE ESTAS INSTRUCCIONES PARA USO DEL INSPECTOR DE ELECTRICIDAD LOCAL.

ADVERTENCIA

Si no sigue la información de este manual exactamente, se puede ocasionar un incendio o una descarga eléctrica que puede causar daños materiales o lesiones personales.

ADVERTENCIA

No repare ni reemplace ninguna parte del electrodoméstico, a menos que esté específicamente recomendado en este manual. Nunca modifique ni altere la construcción del electrodoméstico. La instalación, servicio técnico o mantenimiento incorrectos pueden causar lesiones o daños materiales. Consulte este manual para su orientación. Remita todas las reparaciones a un centro de servicio técnico autorizado por la fábrica.

ADVERTENCIA

ADVERTENCIA – PARA REDUCIR EL RIESGO DE INCENDIO, CHOQUE ELÉCTRICO O LESIONES A LAS PERSONAS, OBSERVE LAS SIGUIENTES RECOMENDACIONES

- El trabajo de instalación y el cableado eléctrico deben realizarse por personal calificado conforme a todos los códigos y estándares aplicables, incluyendo construcción contra incendios.
 - Se requiere suficiente aire para la combustión y escape adecuado de gases por el conducto (chimenea) del equipo que quema combustible para evitar la contracorriente. Siga la directriz y las normas de seguridad del fabricante de equipos de calefacción, como las publicadas por La Asociación Nacional para la Protección contra Incendios (NFPA, por sus siglas en inglés) y la Sociedad Americana de Ingenieros en Calefacción, Refrigeración y Aire Acondicionado (ASHRAE, por sus siglas en inglés) y las autoridades locales correspondientes.
 - Al cortar o perforar la pared o el techo, no dañe el cableado eléctrico u otras instalaciones ocultas.
 - Los ventiladores entubados siempre deben ser ventilados hacia el exterior.
-

ADVERTENCIA

Al instalar la campana, deben cumplirse las reglamentaciones aplicables de las compañías de suministro de energía y las reglamentaciones regionales de construcción.

ADVERTENCIA

Peligro de incendio

Los depósitos de grasa en el filtro de grasa se pueden incendiar. Nunca trabaje con flama abierta cerca del equipo (por ejemplo con platillos flameados). Solamente instale el equipo cerca de un fogón para sustancias sólidas (p. ej. madera o carbón) si está disponible una cubierta cerrada que no se pueda quitar. No deben volar las chispas.



INSTRUCCIONES DE SEGURIDAD IMPORTANTES

LEA Y CONSERVE ESTAS INSTRUCCIONES

ADVERTENCIA

Riesgo de incendio

Cuando se usan simultáneamente varios quemadores de gas se genera mucho calor. El aparato de ventilación puede dañarse o incendiarse. El aparato de ventilación solo puede combinarse con quemadores de gas que no superen una potencia total máxima de 61,000 Btu/hr (18 kW). Al exceder la potencia total de 41,000 Btu/hr (12 kW) se deben observar los reglamentos locales respecto a la ventilación del área, tamaño del área y combinación con aparatos de ventilación en el modo de aire de extracción o aire de circulación.

ADVERTENCIA

Para reducir el riesgo de incendio y para hacer que el aire salga al exterior correctamente, asegúrese de que haya un conducto que lo dirija hacia afuera. No dirija el aire de salida hacia lugares cerrados, espacios dentro de paredes, techos, áticos, huecos sanitarios o garajes.

ADVERTENCIA

A fin de reducir el riesgo de incendio, utilizar únicamente conducciones de metal.

ADVERTENCIA

Cuando se utiliza la campana en modo de aire de escape simultáneamente con un quemador diferente que también usa la misma chimenea (como calentadores a gas, aceite o carbón, calentadores de flujo continuo, calentadores de agua) se debe asegurar que haya un suministro de aire fresco suficiente para las necesidades de combustión del quemador.

La operación segura es posible siempre que la subpresión de la habitación donde está instalado el quemador no supere los 4 Pa (0.04 mbar).

Esto es posible si el aire de combustión puede circular a través de aberturas que no puedan trabarse, como ser en puertas y ventanas, y a través de cajas de entrada/salida de aire en la pared, o mediante otras medidas técnicas, como enclavamiento recíproco, etc.

ADVERTENCIA

Evite la intoxicación por monóxido de carbono: proporcione una entrada de aire suficiente para que los gases de la combustión no vuelvan a ingresar en la habitación.

Una caja de entrada/salida de aire en la pared por sí sola no garantiza que no se superará el valor límite.

Nota: Al evaluar el requisito total, se debe tener en cuenta el sistema de ventilación combinado para todo el hogar. Esta norma no se aplica al uso de aparatos de cocina, como parrillas y hornos.

ATENCIÓN

Solo para la ventilación general. No utilizar para la extracción de sustancias y vapores peligrosos o explosivos.

Peligro de daños por recirculación del vapor condensado. Instalar el canal de salida de aire del aparato ligeramente inclinado hacia abajo (1° de desnivel).

Seguridad con el manejo del electrodoméstico

La unidad es pesada y se requieren al menos dos personas o un equipo adecuado para trasladarla.

Las superficies ocultas pueden tener bordes filosos. Proceda con cuidado al intentar tomar el electrodoméstico por la parte trasera o desde abajo.

ADVERTENCIA

Riesgo de lesiones

Si el aparato no está fijado correctamente a la pared, puede caerse. Todos los elementos de fijación deben montarse debidamente.

INSTRUCCIONES DE SEGURIDAD IMPORTANTES

LEA Y CONSERVE ESTAS INSTRUCCIONES

Códigos y normas de seguridad

Este electrodoméstico cumple con la última versión de una o más de las siguientes normas:

- UL 507 - Ventiladores eléctricos (Electric Fans)
- CAN/CSA C22.2 No. 113 - Ventiladores (Fans and Ventilators)

Es responsabilidad del instalador determinar si se aplican otros requisitos y/o normas en instalaciones específicas.

Seguridad con la electricidad

ADVERTENCIA

INSTRUCCIONES PARA LA CONEXIÓN A TIERRA

Este aparato debe estar conectado a tierra. En caso de un cortocircuito eléctrico, la conexión a tierra reduce el riesgo de descarga eléctrica proporcionando un cable de escape para la corriente eléctrica.

Este aparato viene equipado con un cable con un enchufe de conexión a tierra. El enchufe debe colocarse en una toma de corriente adecuada que esté correctamente instalada y conectada a tierra.

ADVERTENCIA

La incorrecta conexión a tierra puede causar una descarga eléctrica. Consulte a un electricista calificado si no comprende la totalidad de las instrucciones de conexión a tierra o si tiene alguna duda respecto de si el aparato está correctamente conectado a tierra. No use un cable de extensión. Si el cable de alimentación eléctrica es demasiado corto, solicite a un electricista calificado que instale una toma de corriente cerca del aparato.

ADVERTENCIA

Antes de enchufar un cable eléctrico o apagar la fuente de alimentación eléctrica, asegúrese de que todos los controles se encuentren en la posición OFF (Apagado).

Para los electrodomésticos equipados con cable y enchufe, no corte ni retire la espiga de conexión a tierra. Debe enchufarse en un receptáculo de conexión a tierra compatible para evitar descargas eléctricas. Si tiene alguna duda respecto de si el receptáculo de pared está correctamente conectado a tierra, el cliente

debe solicitar la verificación de un electricista calificado.

Si el Código Nacional Eléctrico (o el Código Eléctrico Canadiense) así lo requiere, este electrodoméstico debe instalarse en un circuito derivado por separado.

ADVERTENCIA

Para reducir el riesgo de choque eléctrico, no use este ventilador con ningún dispositivo de control de velocidad de estado sólido.

El instalador debe mostrar al propietario la ubicación del disyuntor o el fusible. Márquela para recordarla más fácilmente.

Antes de realizar la instalación, apague la alimentación eléctrica en el panel de servicio. Trabe el panel de servicio para impedir que se encienda accidentalmente la alimentación eléctrica.

ADVERTENCIA

PARA REDUCIR EL RIESGO DE INCENDIO, CHOQUE ELÉCTRICO O LESIONES A LAS PERSONAS, OBSERVE LAS SIGUIENTES RECOMENDACIONES:

- Utilice esta unidad sólo de la manera indicada por el fabricante. Si tiene preguntas, póngase en contacto con el fabricante.
- Antes de reparar o limpiar la unidad, desconecte el suministro eléctrico en el panel de servicio y bloquee el servicio desconectando las conexiones para evitar que se encienda accidentalmente. Cuando no pueda bloquearse la desconexión del servicio, coloque un aviso prominente de advertencia, como un letrero, en el panel de servicio.

Asegúrese de que el electrodoméstico sea correctamente instalado y conectado a tierra por un técnico calificado. La instalación, las conexiones eléctricas y la conexión a tierra deben cumplir con todos los códigos correspondientes.

ADVERTENCIA

Peligro de descarga eléctrica

Los componentes dentro del equipo pueden tener bordes filosos. Puede dañarse el cable de conexión. No retorcer ni constreñir el cable durante la instalación.



INSTRUCCIONES DE SEGURIDAD IMPORTANTES

LEA Y CONSERVE ESTAS INSTRUCCIONES

Seguridad relacionada con los equipos

Retire toda la cinta y el embalaje antes de usar el electrodoméstico. Destruya el embalaje después de desembalar el electrodoméstico. Nunca deje que los niños jueguen con el material de embalaje.

Se garantiza la seguridad de uso de la placa solamente si es instalada por un especialista de acuerdo con estas instrucciones de instalación. El instalador es responsable de cualquier daño que se produzca debido a la instalación incorrecta.

Nunca modifique ni altere la construcción del electrodoméstico. Por ejemplo, no retire las patas niveladoras, paneles, cubiertas para cables ni soportes/tornillos antivuelco.

Advertencias en virtud de la Proposición 65 del estado de California

ADVERTENCIA

Este producto contiene una o más sustancias químicas que el estado de California sabe que provocan cáncer, defectos congénitos, u otro daño reproductivo.

Preparativos para el montaje

ATENCION

Asegurarse de que no haya cables eléctricos o tuberías de gas o agua en el área donde se va a taladrar.

Revisar el techo

- El techo debe ser plano, horizontal y tener suficiente capacidad de carga.
- La profundidad de los taladros debe ser equivalente a la longitud de los tornillos. Los taquetes deben quedar bien sujetos.
- Los tornillos y taquetes suministrados son apropiados para mampostería sólida. Para otro tipo de construcciones (p. ej., placas de yeso, concreto celular, ladrillos Poroton) se deberán utilizar medios de fijación apropiados.
- El peso máximo de la campana extractora es de **198 lbs (90 kg)**.

Información general

ADVERTENCIA

¡Riesgo de muerte!

Los gases de combustión que se vuelven a aspirar pueden ocasionar intoxicaciones. La salida de aire no debe transmitirse ni a una chimenea de humos o gases de escape en servicio ni a un hueco que sirva como ventilación de los recintos de instalación de equipos calefactores. Si la salida de aire se va a evacuar en una chimenea de humos o gases de escape que no está en servicio, será necesario contar previamente con la aprobación correspondiente del técnico competente de la zona.

Funcionamiento con extracción de aire

Nota: La emisión de los gases no se debe canalizar hacia una chimenea de humo o de gases de escape que esté en funcionamiento, ni hacia un tiro que sirva para sacar el aire de las habitaciones donde haya equipos con fuego.

- Si los gases de escape se van a canalizar hacia una chimenea de humo o de gases de escape que no esté en funcionamiento, se tiene que conseguir la aprobación del especialista en chimeneas correspondiente.
- Si las emisiones de gases se canalizan a través del muro externo, se tiene que utilizar una caja telescópica para muros.

Conducto de escape

Nota: La garantía del fabricante del aparato no cubre las reclamaciones que se atribuyan al segmento de conductos.

- El aparato alcanza su potencia óptima con un conducto de salida de aire rectilíneo y corto, que tenga un diámetro lo más grande posible.
- Mediante conductos de salida de aire largos y rugosos, con muchos codos o con un diámetro inferior a 6" (150 mm), no se consigue la capacidad de aspiración óptima y los ruidos del ventilador serán mayores.
- Los tubos o las mangueras para el tendido del conducto de salida del aire deben estar fabricados con material no inflamable.

- Si los diámetros del conducto difieren de lo anteriormente mencionado, utilizar cintas sellantes.
- Se recomienda un diámetro interior de 6" (150 mm); el diámetro mínimo es de 4¾" (120 mm) en todo caso.

AVISO: Peligro de daños por recirculación del vapor condensado. Instalar el canal de salida de aire del aparato ligeramente inclinado hacia abajo (1° de desnivel).

Conexión eléctrica

⚠ ADVERTENCIA

Peligro de descarga eléctrica

Los componentes dentro del equipo pueden tener bordes filosos. Puede dañarse el cable de conexión. No retorcer ni constreñir el cable durante la instalación.

Los datos de conexión necesarios se encuentran en la placa de especificaciones del aparato.

Este aparato cumple con las disposiciones en materia de supresión de interferencias de la CE.

Este aparato solo podrá conectarse a una toma de corriente con toma a tierra con instalación reglamentaria.

En la medida de lo posible, colocar la toma de corriente con toma a tierra dentro del revestimiento de la chimenea.

- La toma de corriente con toma a tierra debe estar conectada mediante un circuito propio.
- Si una vez instalado el aparato no se puede acceder a la toma de corriente con toma a tierra, la instalación debe contar con un seccionador omnipolar (p. ej., interruptor automático, fusibles y contactores) con una abertura de contacto mínima de 3 mm.

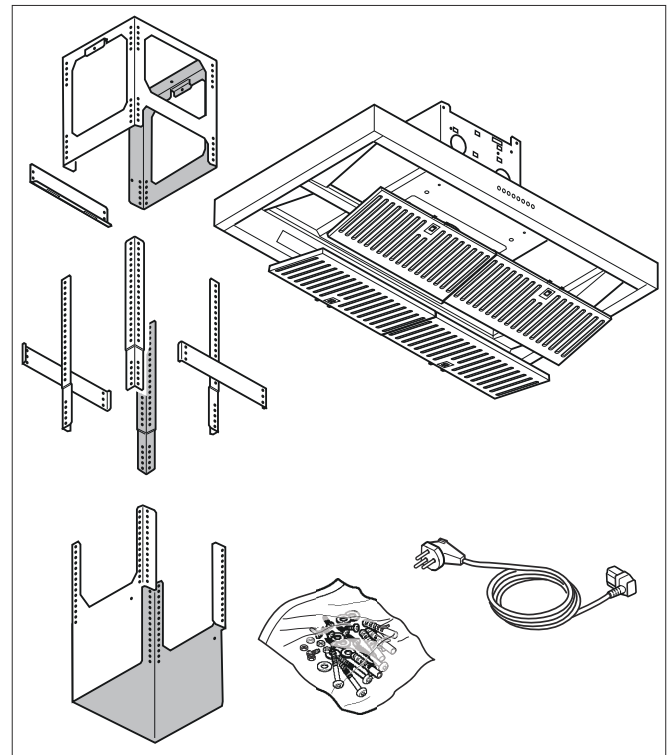
Antes de empezar

Herramientas y piezas necesarias

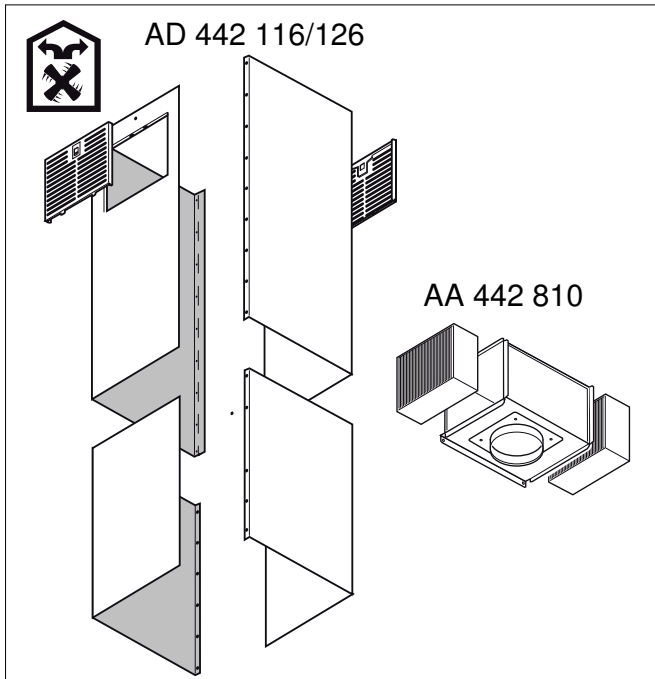
- Cinta métrica
- Lápiz
- Desarmador Torx TX20
- Taladro con las siguientes brocas: 5/16" (8 mm)
- Llave the tuerca
- Nivel de burbuja
- Cinta de aluminio (NO usar cinta aislante)
- Conducto de salida de aire (la configuración depende de la situación de montaje).
- Además, tornillos para chapa (en caso de que sea necesario para la instalación del conducto de salida del aire)

Piezas incluidas

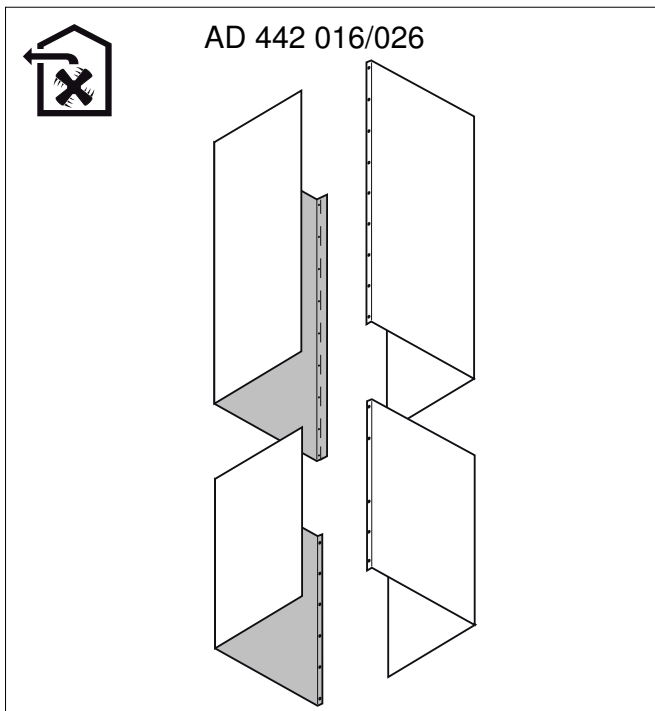
Todos los modelos



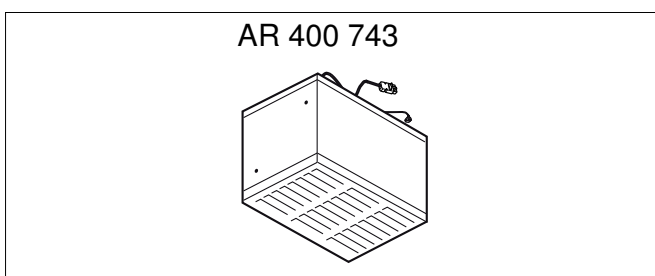
Modelos con funcionamiento con recirculación de aire



Modelos con evacuación exterior de aire

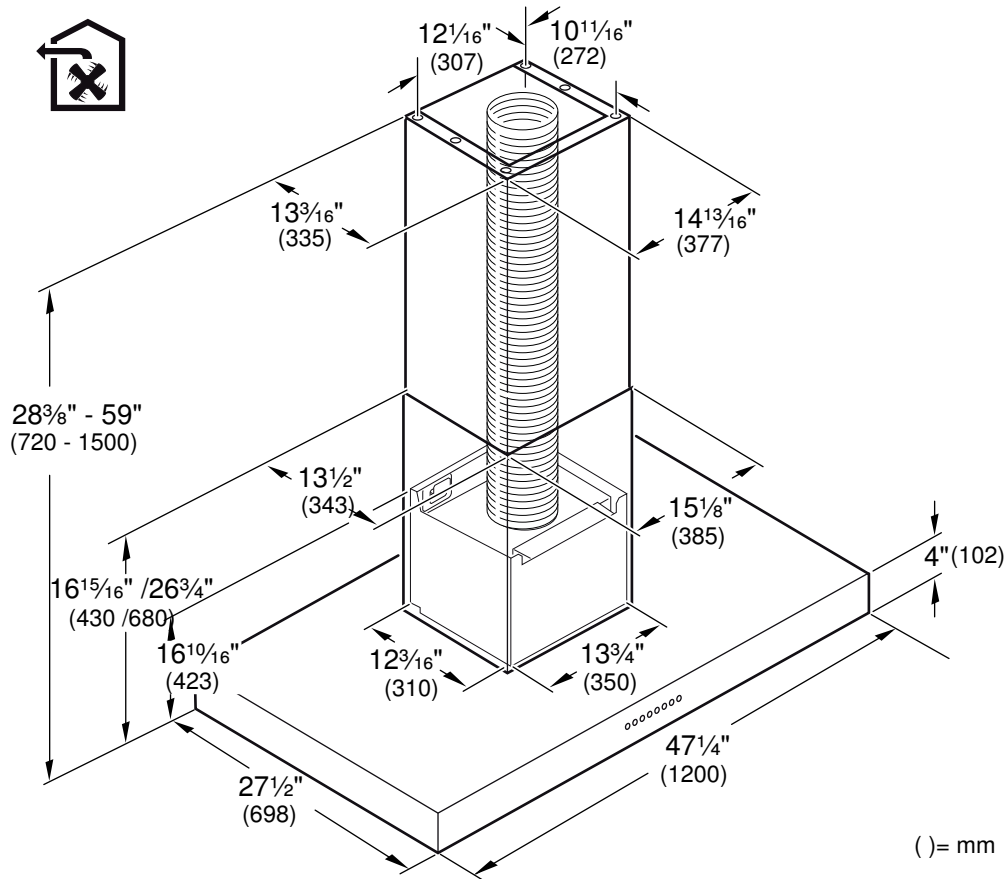


Accesorios: Motor del ventilador

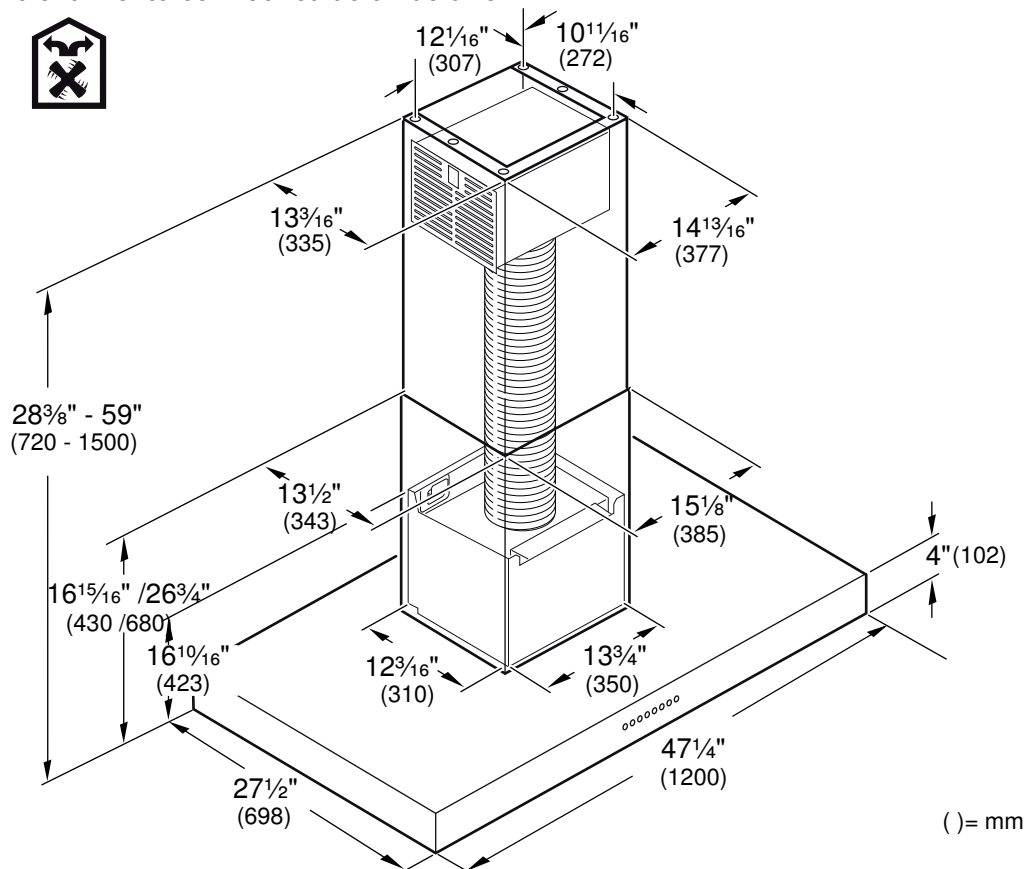


Dimensiones del equipo

Modelos con evacuación exterior de aire



Modelos con funcionamiento con recirculación de aire



Distancias de seguridad

⚠ ADVERTENCIA

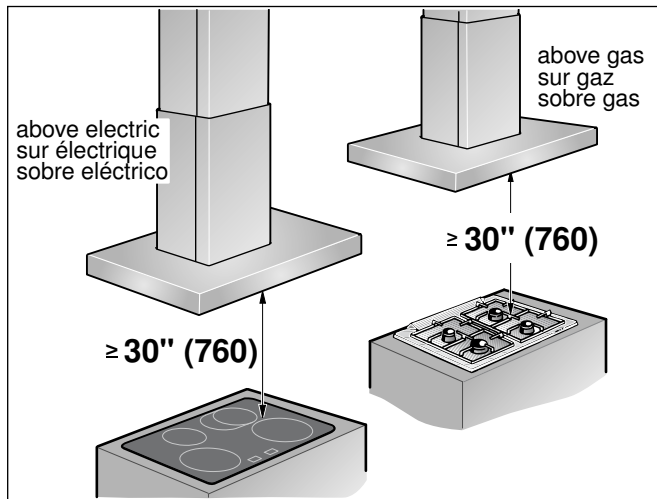
Riesgo de incendio

Los depósitos de grasa del filtro antigrasa pueden prenderse. Hay que respetar las distancias de seguridad estipuladas para evitar una condensación del calor. Se deben tener en cuenta las indicaciones del recipiente de cocción. Si se utilizan conjuntamente zonas de cocción de gas y eléctricas, aplicará la distancia indicada más grande.

Solo un lado del aparato debe instalarse directamente junto al gabinete en alto o pared. La distancia respecto a la pared o al gabinete en alto debe ser por lo menos de 2" (50 mm).

La distancia entre las superficies de apoyo sobre la placa de cocción y la parte inferior de la campana extractora no debe ser menor que 30" (760 mm), en caso de placas de cocción eléctricas, y 30" (760 mm), en caso de estufas de gas o combinadas.

Cuando las instrucciones de instalación de la estufa de gas establecen una distancia mayor, esta deberá tenerse en cuenta.



Instalación

Seguro de transporte

Para el transporte, el bastidor de soporte está fijado con tornillos para chapa. Retirar estos tornillos para chapa antes del montaje.

Montaje del bastidor de soporte superior

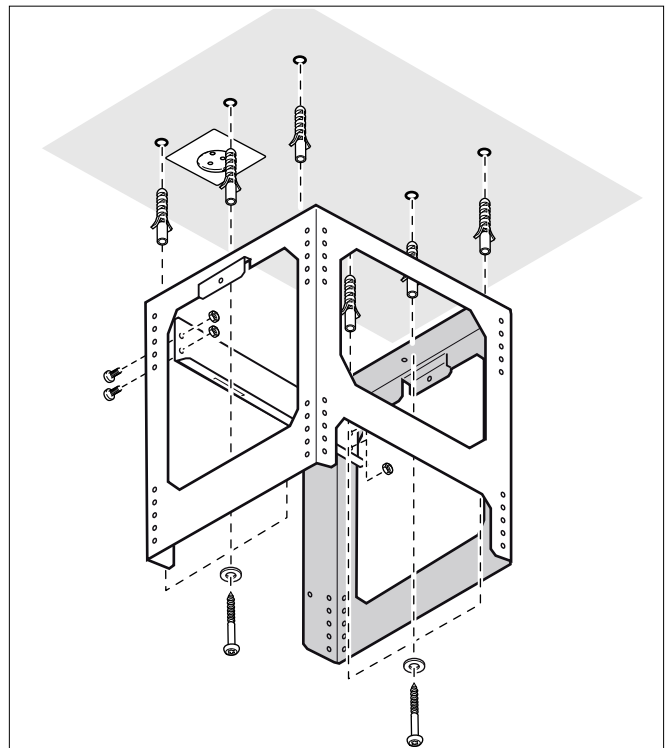
- 1 Antes del montaje, determinar la altura total del bastidor de soporte.

Nota: El bastidor de soporte es ajustable en altura en intervalos de 20 mm.

- 2 Dibujar las posiciones para los 6 tornillos en la tapa.

Nota: Cerciorarse de la posición correcta del bastidor de soporte. Uno de los paneles de mando del aparato se encuentra en el lado abierto del bastidor de soporte. El otro panel de mando se encuentra en el lado opuesto.

- 3 Taladrar los agujeros e introducir los taquetes a presión hasta que queden a ras.
- 4 Montar la lámina de refuerzo con 4 tornillos desde el interior en el bastidor de soporte.
- 5 Sujetar el bastidor de soporte superior con 6 tornillos a la tapa.

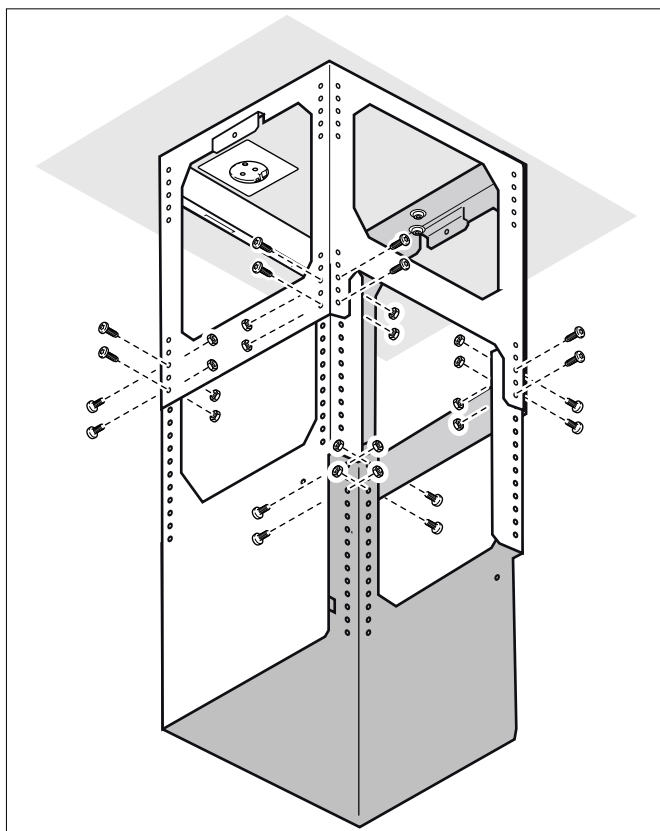


Montar el bastidor de soporte inferior sin prolongación

- 1 Cerciorarse de la posición correcta del bastidor de soporte inferior.

Nota: Colocar el lado abierto del bastidor de soporte inferior frente al lado abierto del bastidor de soporte superior.

- 2 Introducir el bastidor de soporte inferior en el bastidor de soporte superior y sujetar a la altura total establecida con 16 tornillos.

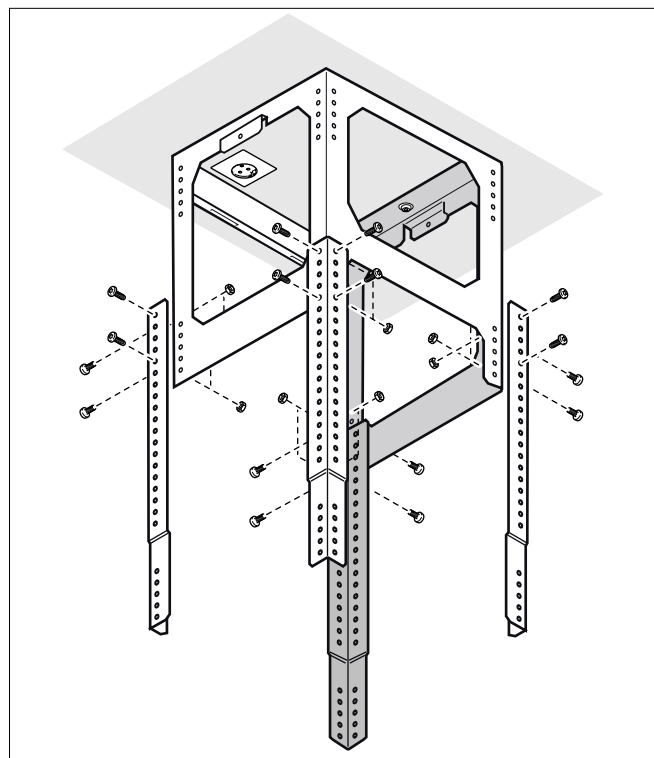


Notas

- Elegir los agujeros de sujeción para lograr la distancia máxima entre los tornillos. Con ello se consigue estabilidad.
- Dejar como mínimo un agujero de sujeción libre entre los tornillos.

Montaje del bastidor de soporte inferior con la prolongación

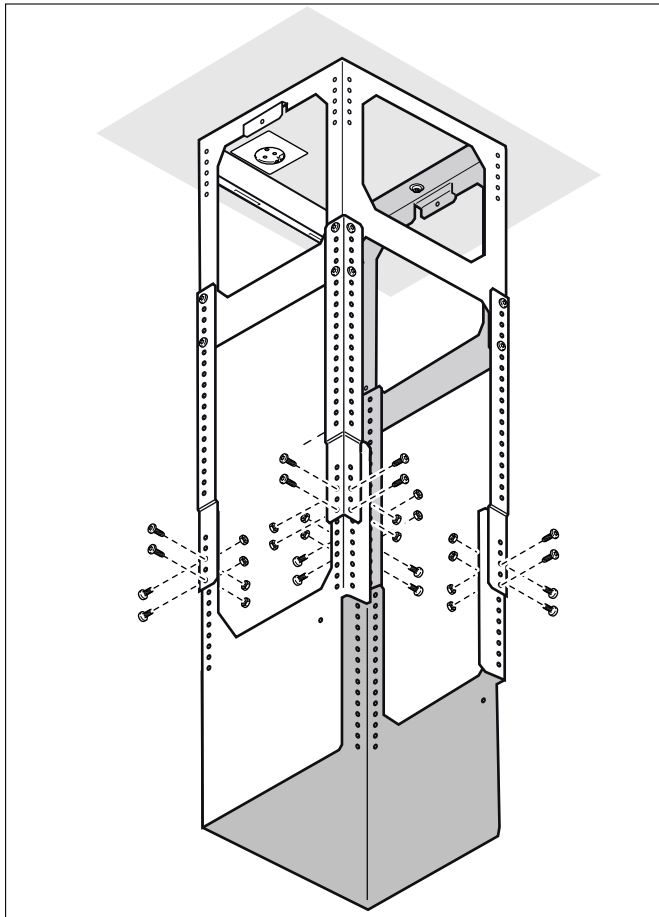
- 1 Desplazar la prolongación por el exterior sobre el bastidor de montaje superior y montarlo con 16 tornillos en el bastidor de soporte superior.



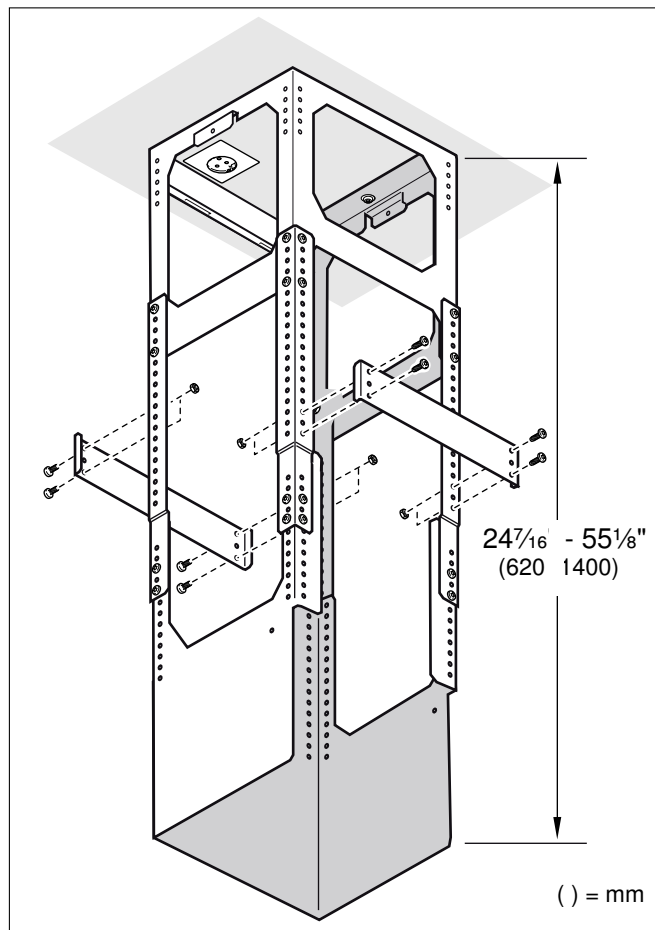
- 2 Cerciorarse de la posición correcta del bastidor de soporte inferior.

Nota: Colocar el lado abierto del bastidor de soporte inferior frente al lado abierto del bastidor de soporte superior.

- 3 Introducir el bastidor de soporte inferior en la prolongación y sujetar a la altura total establecida con 16 tornillos.

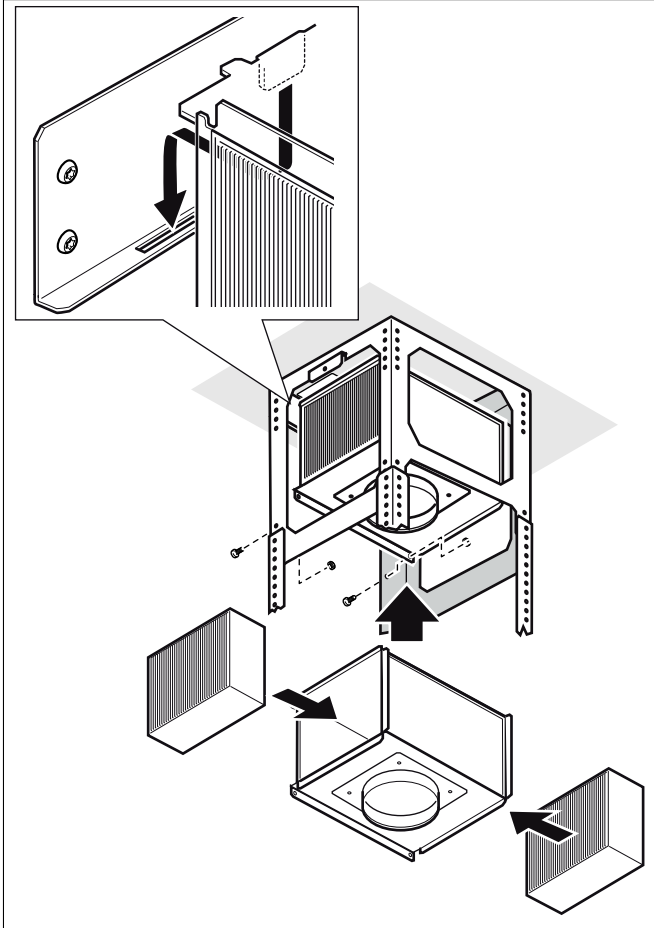


- 4 Montar dos escuadras de sujeción.

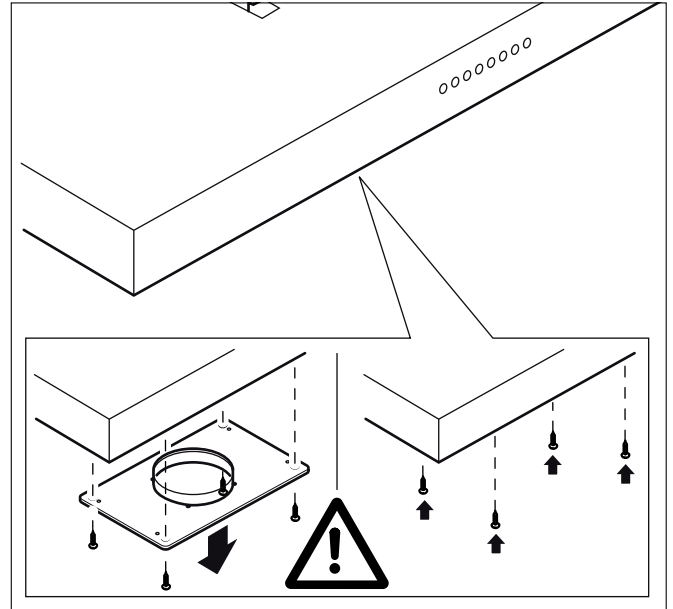


Montaje del aparato

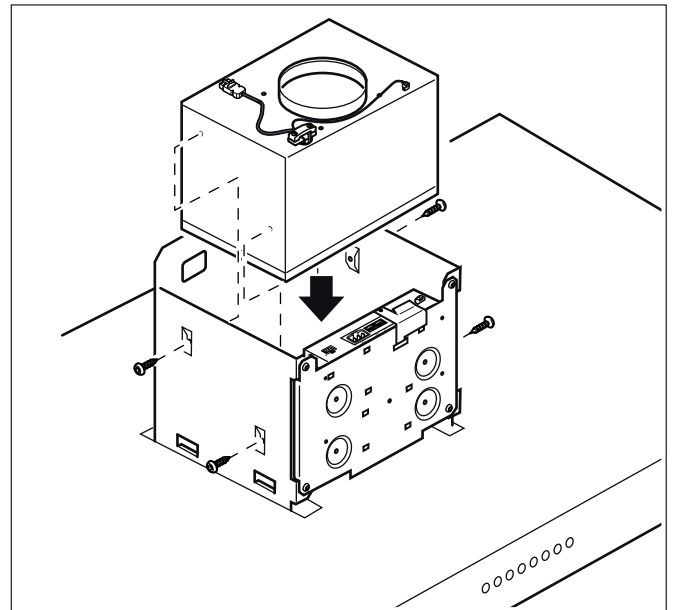
- 1 **Solo para versión de recirculación de aire:** Colocar el filtro en los dos lados del módulo de recirculación de aire AA 442 810. Introducir y enganchar el módulo de recirculación de aire desde abajo en el bastidor de soporte. Sujetar con 2 tornillos.



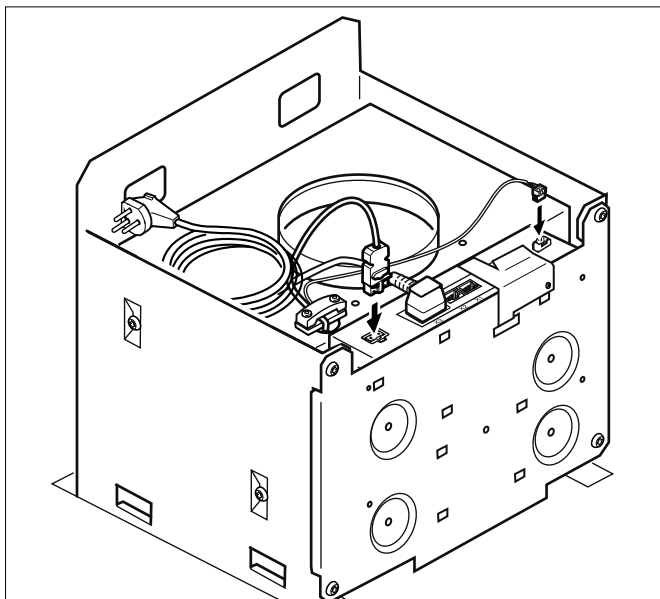
- 2 **Solo en combinación con un módulo del ventilador interno AR 400 743:** Desatornillar la chapa protectora en la campana extractora: desatornillar los 4 tornillos, retirar la chapa protectora, atornillar de nuevo los 4 tornillos.



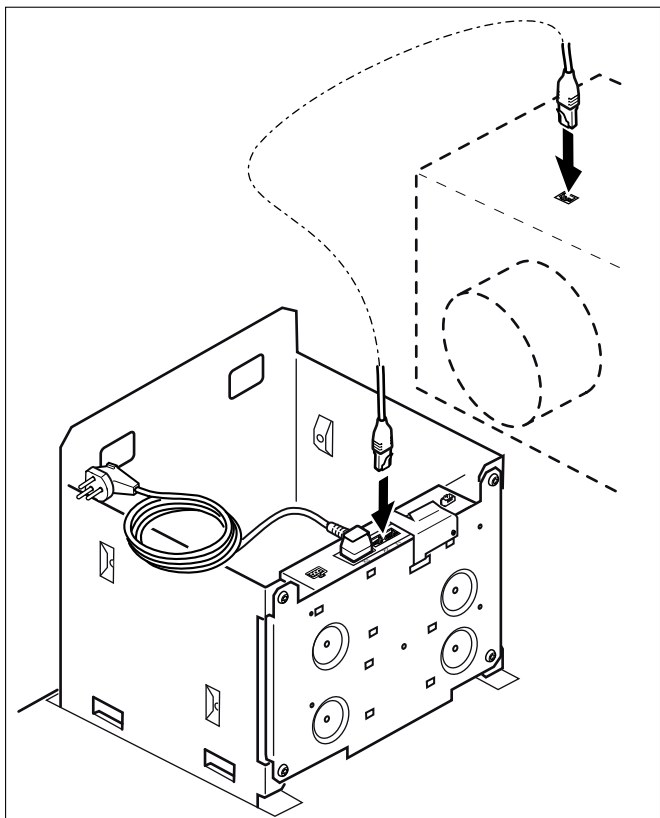
Introducir el módulo del ventilador desde arriba en la campana extractora. Sujetar con 4 tornillos.



Conectar el cable de red y el cable de control al módulo de control.

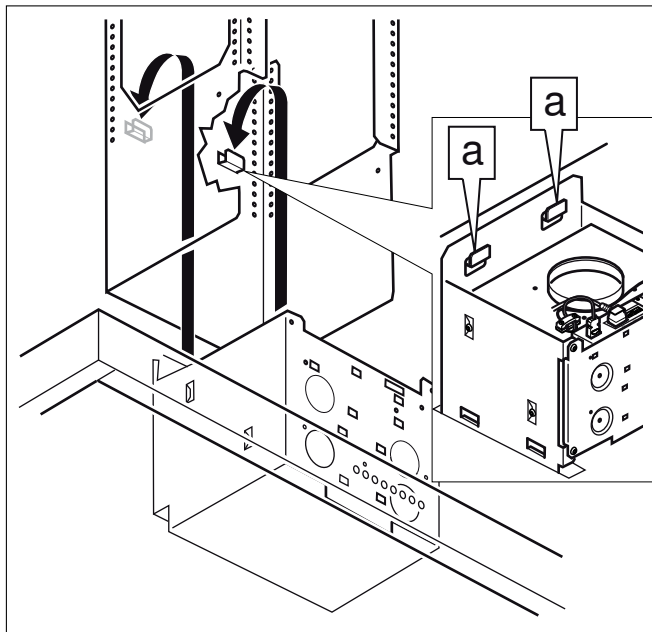


- 3 Solo en combinación con el módulo del ventilador externo AR4..:** Conectar el módulo del ventilador externo y el módulo de control de la campana extractora con el cable de red. Los enchufes tienen que encajar. Conectar el cable de red al módulo de control.



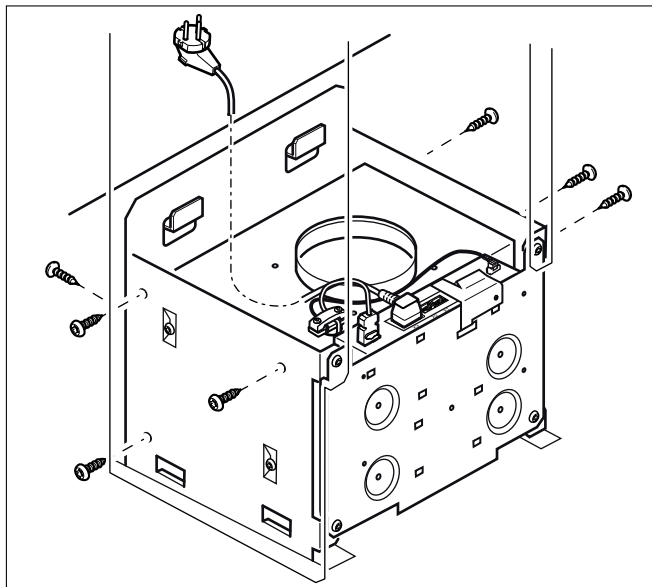
Nota: Los enchufes de conexión X1 y X2 son idénticos.

- 4** Enganchar la campana extractora desde abajo en las dos escuadras de fijación (a) con el bastidor de soporte.



Nota: Cerciorarse de que el cable de red no queda aprisionado.

- 5** Enderezar la campana extractora y sujetarla con 7 tornillos en el bastidor de soporte.



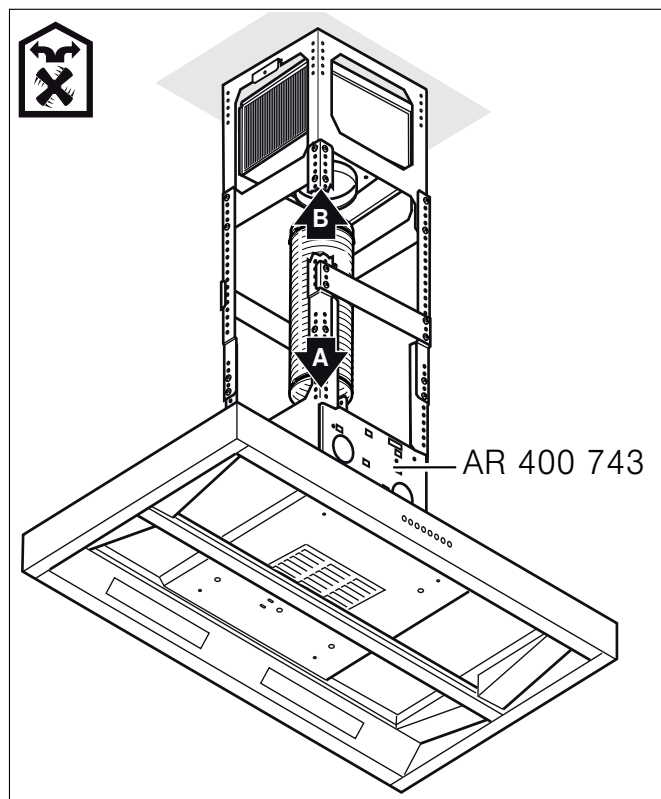
Conectar el aparato a la red eléctrica

Notas

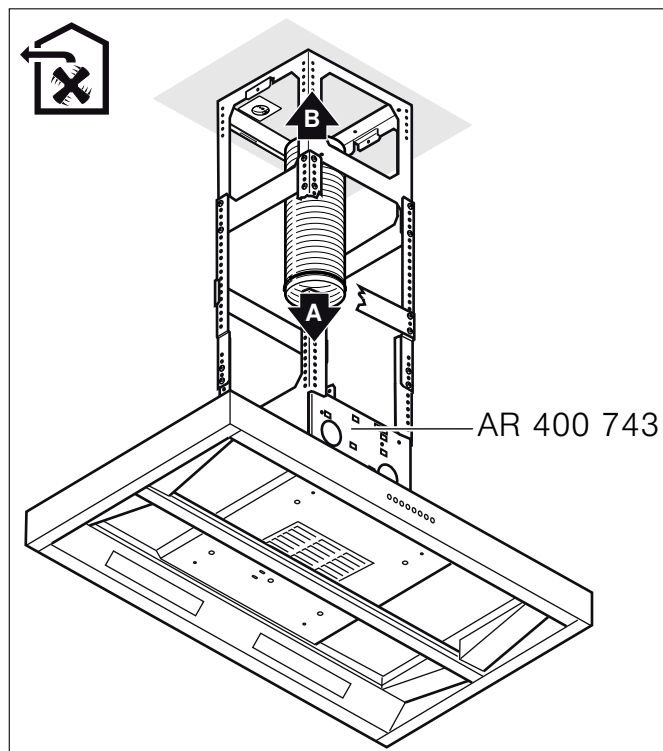
- En caso de evacuación exterior de aire, se debe montar una trampa antirretorno. Si no se incluye una trampa anti-retorno en el aparato, esta se puede adquirir en un comercio especializado.
- Si la salida de aire se evacua a través la pared exterior, se deberá utilizar un pasamuros telescópico.
- Si se utiliza un tubo de aluminio, pulir previamente la zona de conexión.

Conexión de la salida de aire

- 1 **Aparato de modo circulación de aire con módulo del ventilador interno AR 400 743:** Sujetar el tuc de salida de aire directamente en la tubuladura de aire del módulo del ventilador (A).

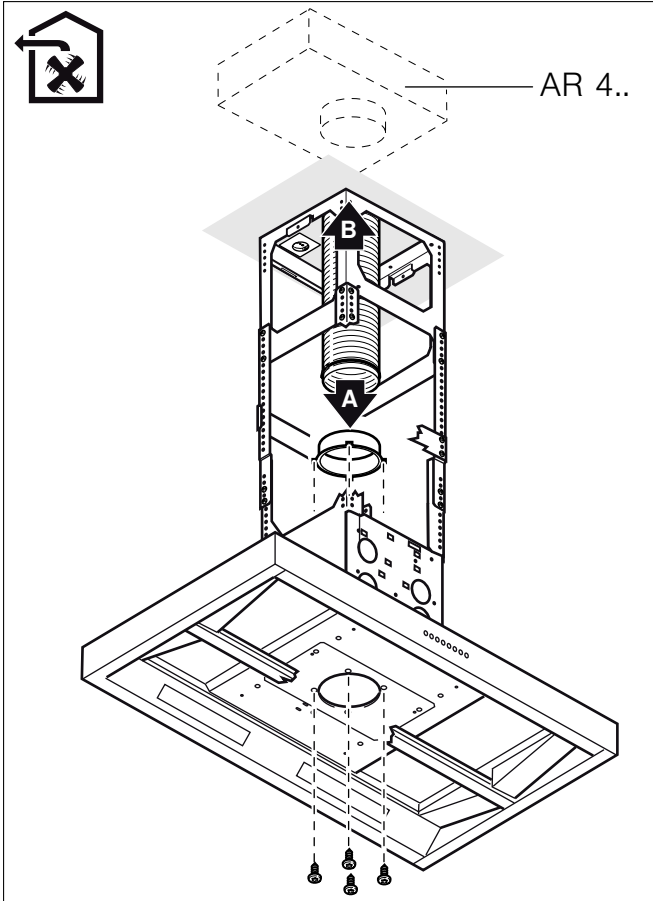


- 2 **Aparato de modo de extracción de aire con módulo del ventilador interno AR 400 743:** Sujetar el tuc de salida de aire directamente en la tubuladura de aire del módulo del ventilador (A).



3 Aparato de modo de extracción de aire con módulo del ventilador externo AR 4..:

- Desatornillar el racor de empalme de la chapa protectora en la campana extractora.
- Sujetar el tubo de salida de aire en el racor de empalme (A).
- Atornillar el racor de empalme de la chapa protectora en la campana extractora.



- 4 Establecer la conexión con la abertura de salida de aire (B).
- 5 Sellar convenientemente los puntos de unión.

Montaje de la toma de corriente

- 1 Insertar el enchufe en la toma de corriente con toma a tierra.
- 2 En caso de requerirse una conexión fija, tener en cuenta los consejos y advertencias del capítulo **Conexión eléctrica**.

Montar los revestimientos de la chimenea

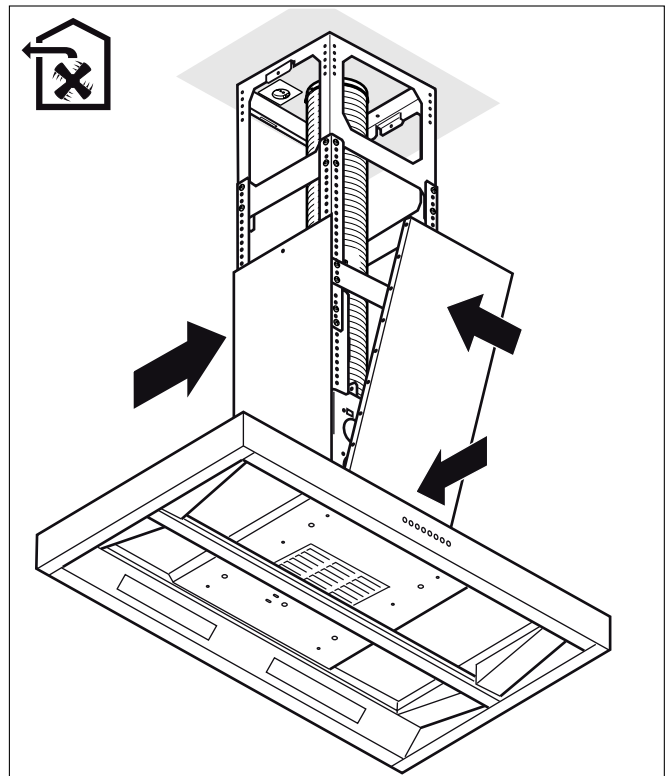
⚠ ADVERTENCIA

Peligro de lesiones

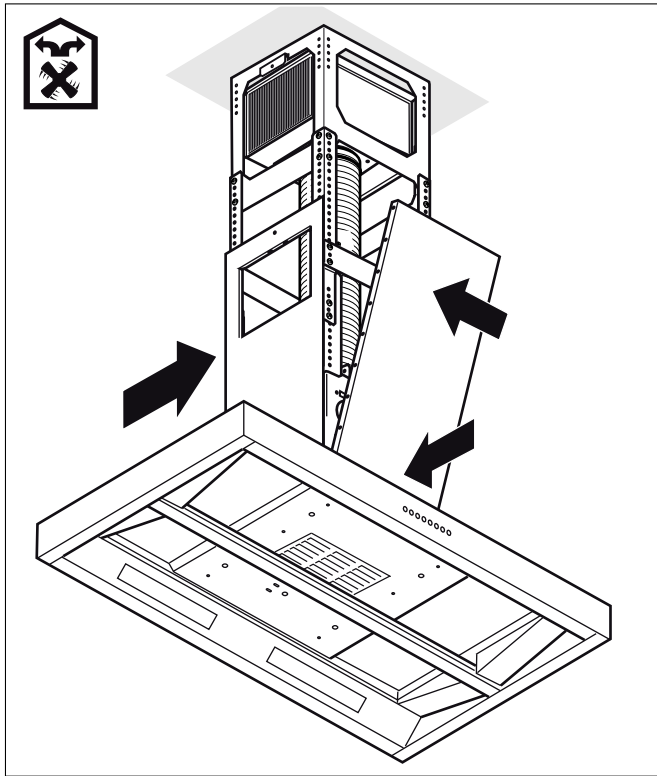
Los componentes dentro del equipo pueden tener bordes filosos. Utilice guantes protectores.

- 1 Retirar la lámina protectora de los revestimientos de la chimenea.
- 2 Colocar las dos partes del revestimiento superior de la chimenea sobre el aparato y acoplarlas.

Modelos con evacuación exterior de aire

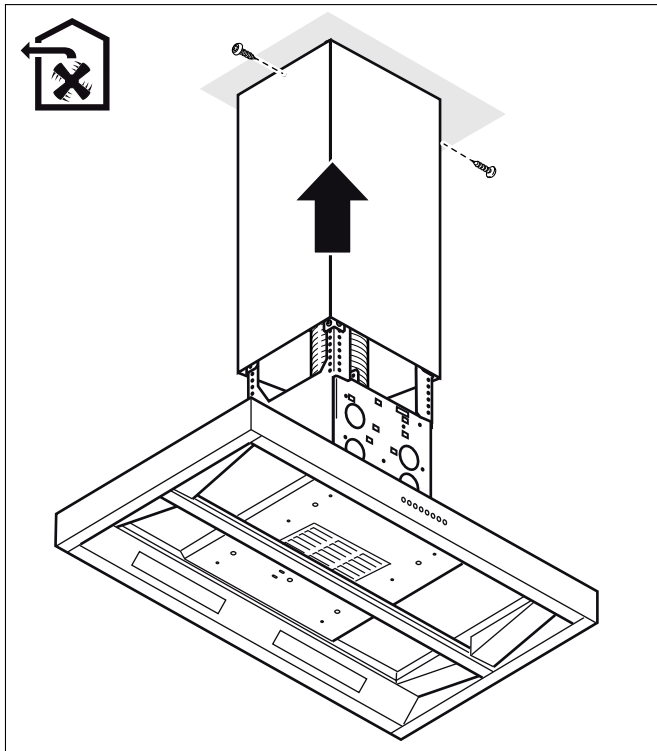


Modelos con funcionamiento de recirculación de aire

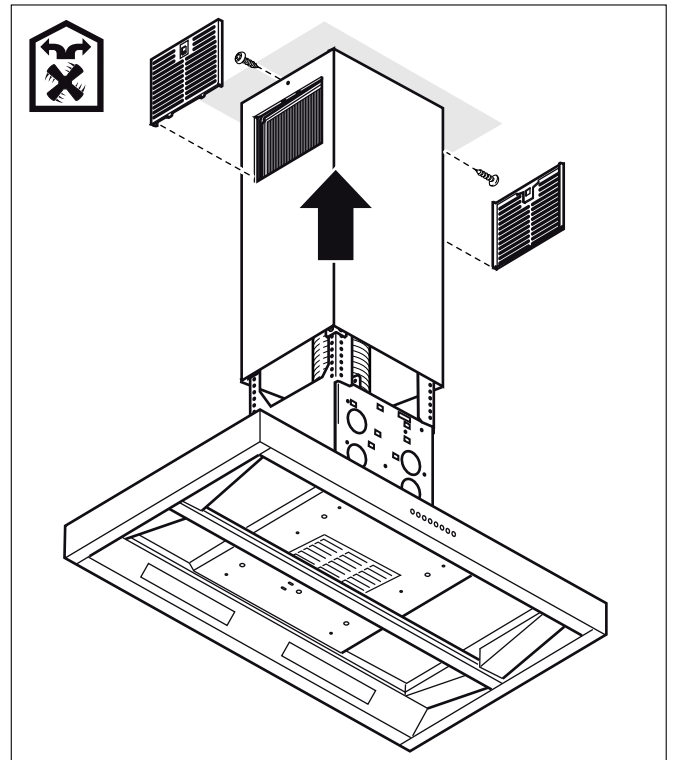


- 3** Desplazar el revestimiento superior de la chimenea hacia arriba y sujetarlo con 2 tornillos.

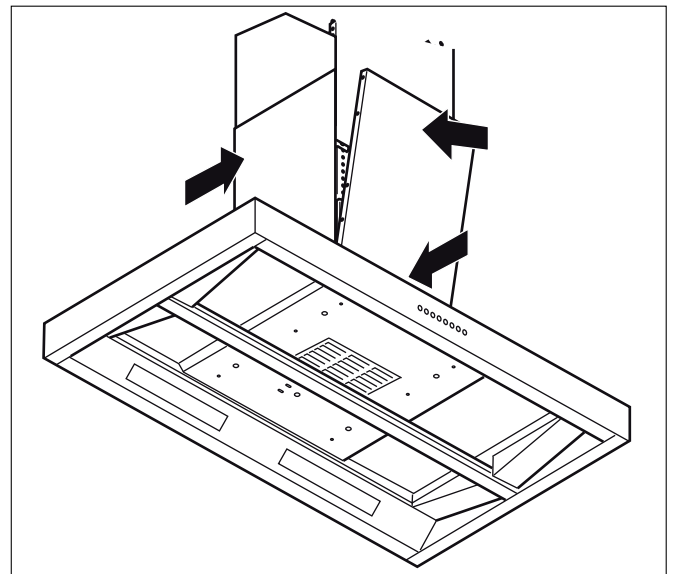
Modelos con evacuación exterior de aire



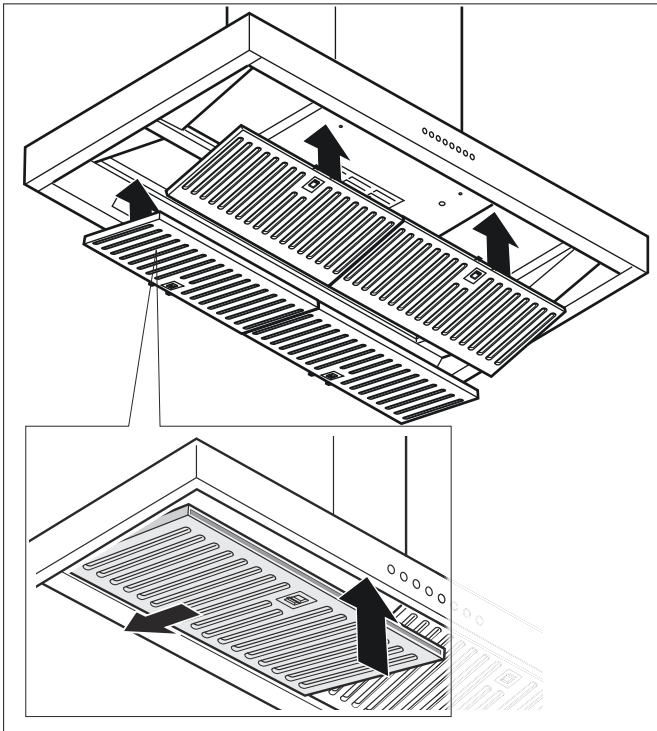
Modelos con funcionamiento con recirculación de aire



- 4** Colocar ambas partes del revestimiento inferior de la chimenea sobre el aparato y acoplarlas.



5 Montar el filtro antigrasa.



Salida de conexión adicional

Los trabajos en la salida de conexión adicional solo deben llevarlos a cabo electricistas profesionales que conozcan las disposiciones y normativas vigentes en el país correspondiente.

El aparato dispone de una salida de conexión adicional X16 (contacto libre de potencial) para conectar otros aparatos como, por ejemplo, un equipo de ventilación existente. El contacto se cierra si el ventilador está conectado y se abre si el ventilador está desconectado.

La salida de conexión se encuentra debajo de una cubierta. Potencia de conexión máxima 30 V/1 A (CA/CC). La señal que se conecta al contacto debe ser de la clase de protección 3.

Funcionamiento conectado

Se pueden conectar varios aparatos. Las luces y los ventiladores de todos los aparatos funcionan de forma sincronizada.

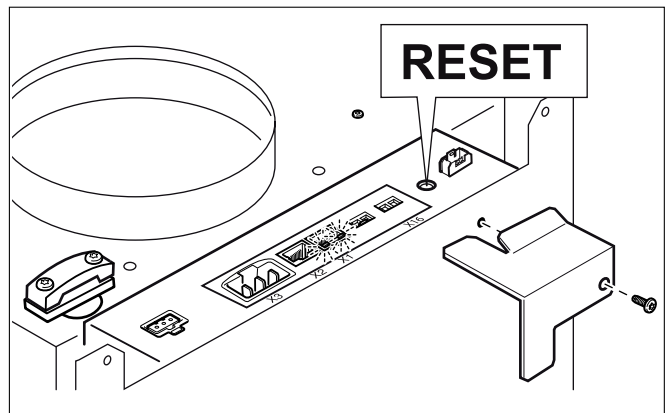
Conectar los aparatos en serie mediante los bornes de conexión X1 y X2 (equivalentes). El orden de la conexión no influye. Si los cables de red suministrados son demasiado cortos, utilizar un cable de red convencional (mín. Cat5, blindado).

Número máximo de conexiones: 20 aparatos. Longitud total de todos los cables de red: 40 m. Un profesional calificado debe comprobar la funcionalidad de la instalación en la primera instalación.

Si uno de los aparatos conectados falla (interrupción de la tensión, separación del cable de red), se bloqueará el funcionamiento del ventilador de todo el sistema. Todas las teclas del aparato parpadean.

Si se modifica la configuración, se deberá reiniciar la instalación:

- 1 Desatornillar la tapa protectora.
- 2 Pulsar la tecla Reset hasta que los dos LED se iluminen de forma permanente (aprox. 5 segundos). Después de 5 segundos, soltar la tecla.
- 3 Atornillar la tapa protectora.
- 4 Contactar con profesionales calificados para que comprueben el funcionamiento de la instalación tras el reinicio.



Conexión de la alimentación eléctrica

⚠ ADVERTENCIA

Peligro de descarga eléctrica

Los componentes dentro del equipo pueden tener bordes filosos. Puede dañarse el cable de conexión. No retorcer ni constreñir el cable durante la instalación.

Para más información, véase la placa de características. Véase la ubicación de la placa de características en "Servicio".

El amperaje máximo de los disyuntores derivados, la sección de los cables y las conexiones deben ser conformes con los requisitos del Reglamento electrotécnico nacional o el Reglamento eléctrico canadiense, así como con todos los demás reglamentos y disposiciones locales.

Este aparato tiene conexión con un enchufe

- El enchufe debe ser conforme con las CONFIGURACIONES NEMA PARA ENCHUFES Y CAJAS.
- El aparato debe estar debidamente conectado a tierra.
- El enchufe debe ser, como mínimo, de tipo 6-20 P (puesta a tierra de 2 polos y 3 conductores).
- La conexión del enchufe debe ser realizada únicamente por un técnico electricista cualificado.
- Instalar una base de enchufe aprox. 27" (700 mm) por encima del suelo y detrás del aparato de acuerdo con la normativa. Debe garantizarse el acceso a la base de enchufe después de su instalación.

Desmontaje del aparato

- 1 Retirar el filtro antigrasa.
- 2 Aflojar el revestimiento de la chimenea.
- 3 Desconectar el aparato de la corriente.
- 4 Aflojar las líneas de aire de salida.
- 5 Aflojar los tornillos de seguridad.
- 6 Sacar el aparato.

Servicio de atención al cliente

Si su aparato necesita una reparación, nuestro servicio de atención al cliente estará encantado de ayudarle. Siempre encontramos la solución adecuada, incluso para evitar visitas innecesarias de los técnicos.

Cuando llame por teléfono, indique la referencia del producto (Nº E) y el número de fabricación (Nº FD) para que podamos ofrecerle un servicio cualificado. La placa de características con la numeración se encuentra en el interior del aparato (desmontar el filtro de metal antigrasa).

Para evitar tener que buscar los datos de su aparato cuando los precise, es aconsejable anotarlos aquí conjuntamente con el número de teléfono del Servicio de atención al cliente.

Nº E.

Nº FD.

Servicio de atención al cliente ☎

Tenga en cuenta que la visita del técnico del servicio de atención al cliente no es gratuito en caso de que el mal funcionamiento sea debido a un manejo incorrecto del aparato.

Las señas de las delegaciones internacionales figuran en la lista adjunta de centros y delegaciones del Servicio de Asistencia Técnica Oficial.

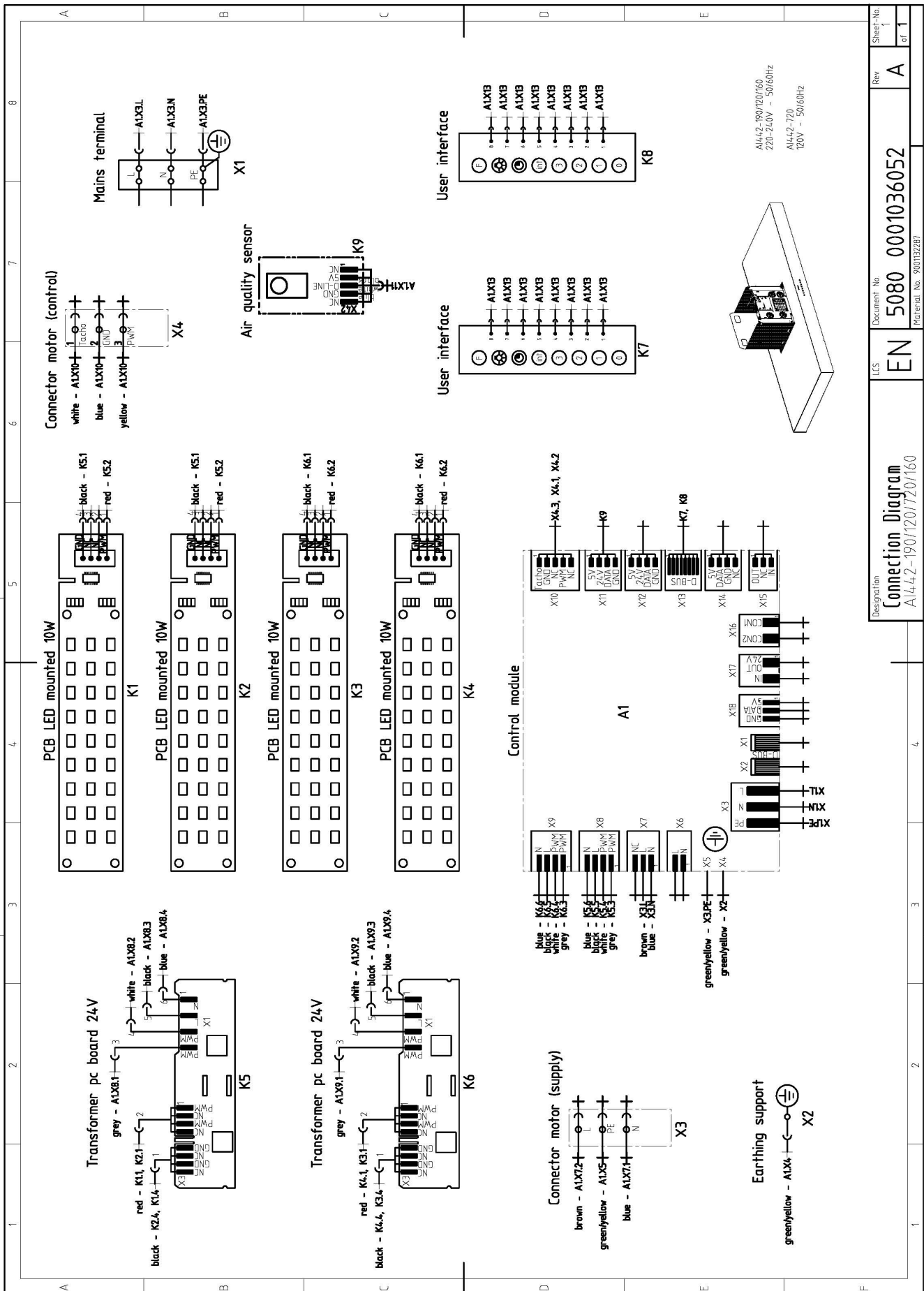
Solicitud de reparación y asesoramiento en caso de averías

US 877 442 4436
toll-free

Confíe en la competencia del fabricante. De esa forma se asegura de que la reparación se lleva a cabo por personal técnico debidamente instruido, equipado con las piezas originales y de repuesto necesarias para su aparato.

The reproduction, transmission or use of this document or its contents is not permitted without express written authority. Offenders will be liable for damages. All rights including rights to patent grant or registration of a utility model or design are reserved. Copyright reserved.

Intended changes opposing release specimen or specification offer must be advised in time and may only be introduced following written clearance. Deviating designs will be reserved.



Designation	Document No	Rev	Sheet-No
Connection Diagram	5080	A	1
AI44.2-190/120/160	Material No. 990152287		of 1

Re1, released

Gaggenau

BSH Home Appliance Corporation

1901 Main Street, Suite 600

Irvine, CA 92614

+1.877.442.4436

USA

www.gaggenau-usa.com

© 2015 BSH Home Appliances

Gaggenau Hausgeräte GmbH

Carl-Wery-Straße 34

81739 München

GERMANY

GAGGENAU

