

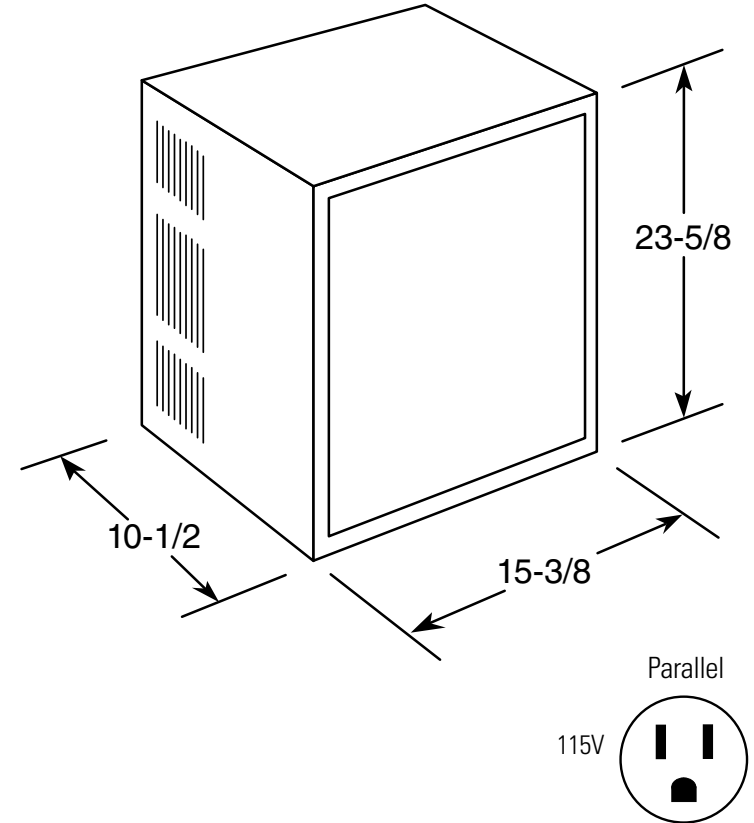
# AHR50LM

## GE® ENERGY STAR® Dehumidifier

### Dimensions and Installation Information (in inches)

**Wall Outlets:** All wiring including installation of receptacle must be made in accordance with local electrical codes and regulations. Electrical outlet should be in reach of line cord.

**Note:** Aluminum wiring may pose special problems – consult a qualified electrician.



For answers to your Monogram®, GE Profile™ or GE® appliance questions, visit our website at [ge.com](http://ge.com) or call GE Answer Center® service, 800.626.2000.



imagination at work



Total volume and shelf area are calculated by the Association of Home Appliance Manufacturers' standards.



Listed by Underwriters Laboratories



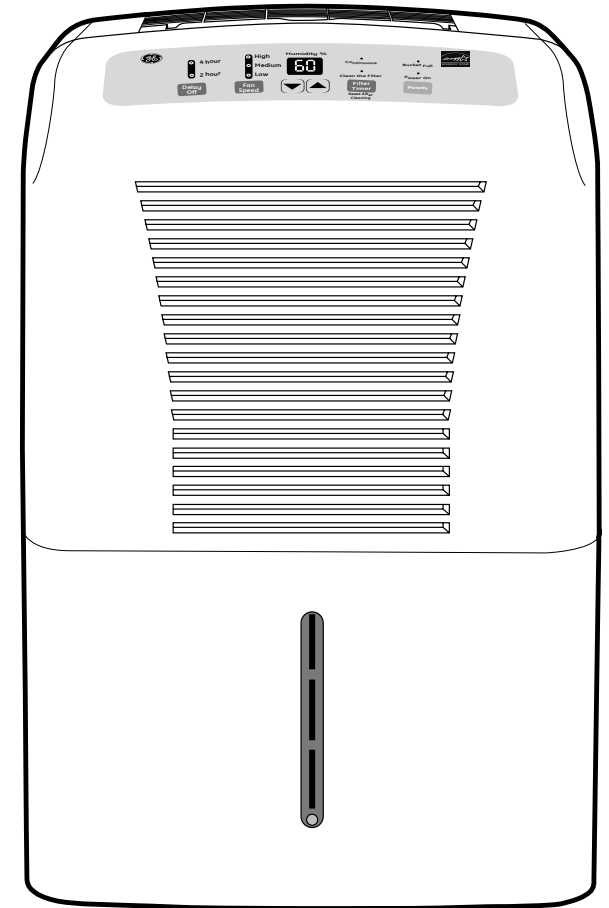
As an ENERGY STAR® partner, GE has determined that this product meets the ENERGY STAR guidelines for energy efficiency.

# AHR50LM

## GE® ENERGY STAR® Dehumidifier

### Features and Benefits

- ENERGY STAR® qualified
- 50 Dehumidification Pints Per Day
- Electronic Controls
- Low Temperature Operation
- Front Condensate Bucket with Water Level Indicator
- Automatic Shut-Off System when Bucket Fills
- 3 Fan Speeds
- Automatic Defrost Control
- External Drain Connector
- Easy Roll Casters
- Washable Air Filter
- 2- or 4-Hour Off Timer
- Model AHR50LM - Light Cool Grey



As an ENERGY STAR® partner, GE has determined that this product meets the ENERGY STAR guidelines for energy efficiency.