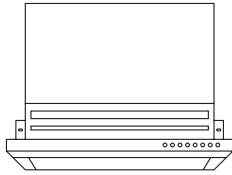


**Visor Hood**

**Stainless steel handle strip for exhaust air/recirculating air operation**



**AH 900-761**

Width 24" (60 cm)

**AH 900-791**

Width 36" (90 cm)

**AH 900-761/791**

- **Technology concealed.** Design revealed.
- **Top performance and low noise.** Optimum benefit and restraint.
- **Eight-key operation.** Direct access to all functions.

Metal grease filter (dishwasher safe). 7" pull-out steam visor.

Front operation; handle strip not replaceable.

Good cooking area illumination by compact fluorescent lamp.

1 x 36 watt in the case of AH 900-161/171. 2 x 24 watt in the case of AH 900-191.

**Features:**

- Three electronically controlled speeds plus intensive mode.
- Delayed shut-off function (power level can be chosen).
- Special function: interval ventilation.
- Light can be switched separately.
- Grease filter saturation display indication by flashing light.

**Unobstructed air flow:** 425 CFM with Ø 6".

**Sound pressure level:**

Exhaust air: 54 dB (re 1 pW).

Recirculating air: 64 dB (re 1 pW).

**Optional accessories:**

**KF 900-055** Activated charcoal filter for AH 900-761.

**KF 900-090** Activated charcoal filter for AH 900-791

**FF 900-056** Metal filter for AH 900-761.

**FF 900-091** Metal filter for AH 900-791.

**LL 010-000** Air deflector

**Planning notes:**

Weight: AH 900-761 = 36 lbs.  
AH 900-791 = 44 lbs.

Minimum clearance 30" above gas appliances, 27 1/2" above electric appliances.

To be installed in an upper cabinet without base and without front frame (hood slides into side brackets from the front).

Front panel of pull-out visor is not removable.

Plan electrical connection behind the extension flue.

Hardwire required.

The door of the cabinet must be completely open to change the filter.

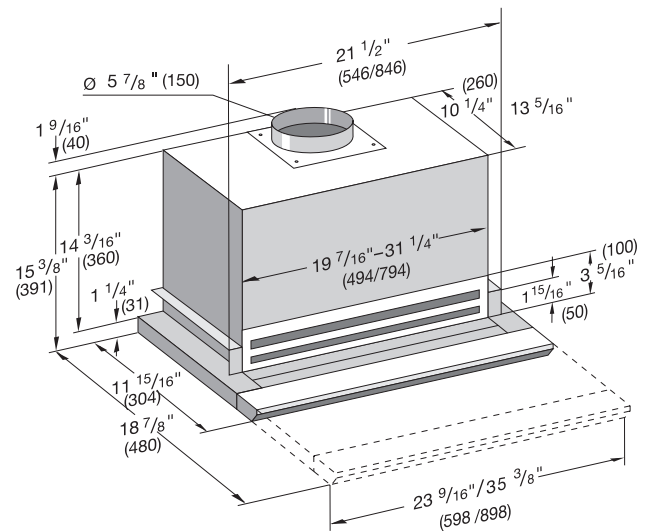
**Rating:**

**Total ratings:**

**AH 900-761: 250 W**  
**Total Amps: 2**

**AH 900-791: 260 W**  
**Amps: 2.2**

**120V / 60Hz**



Numbers indicated inside parenthesis ( ) = mm