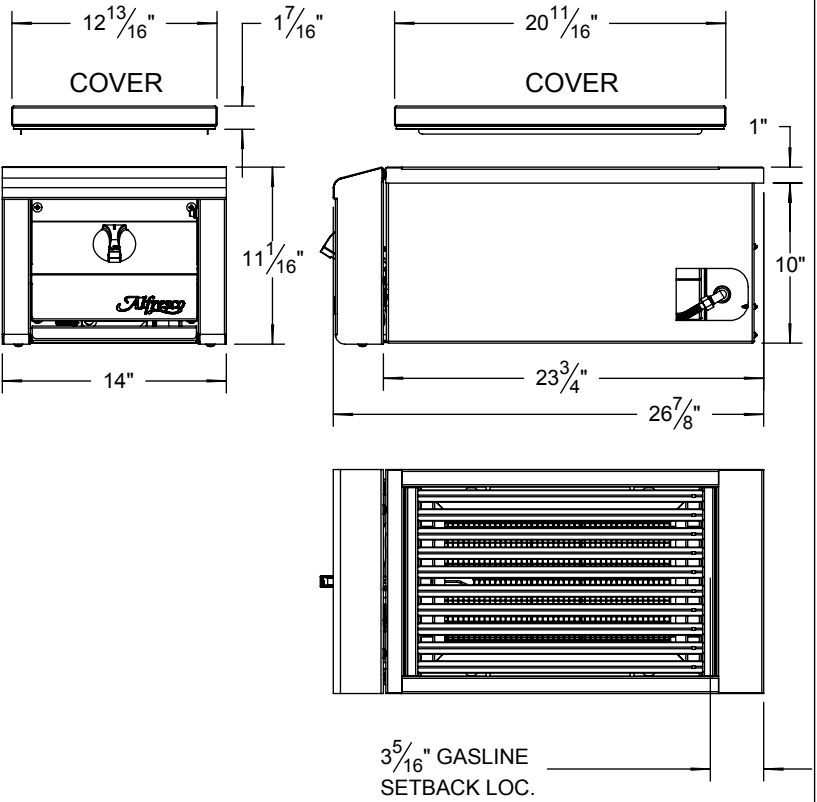


AGSZ TYPICAL INSTALLATION

AGSZ - SEAR-ZONE™ SIDE BURNER



COUNTERTOP CUTOUT REQUIREMENTS

NOTE 1:
A GAS LINE IS REQUIRED INSIDE THE COUNTER FOR OPERATION.
IT IS RECOMMENDED THAT A FLEXIBLE GAS LINE IS USED TO EASE INSTALLATION IN NATURAL GAS (NG) SETUPS.
(SEE NOTE 2 IN REGARDS TO LP SETUPS)

