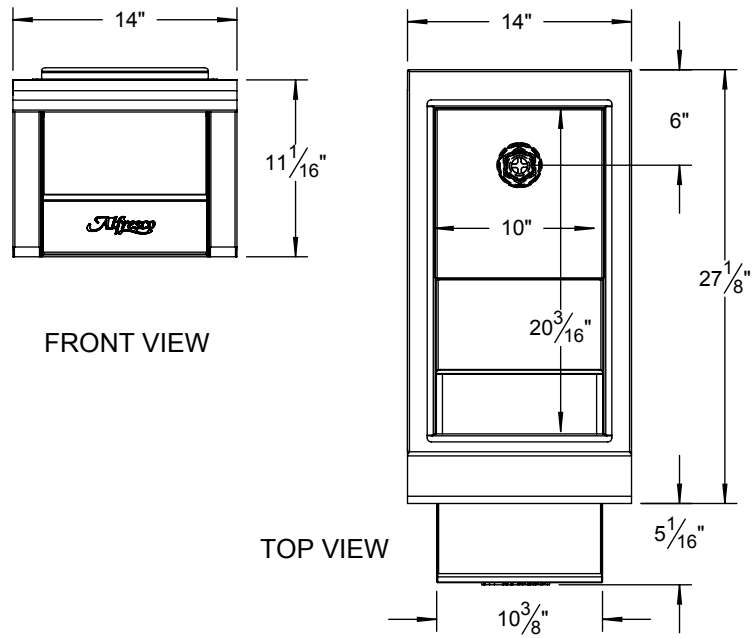


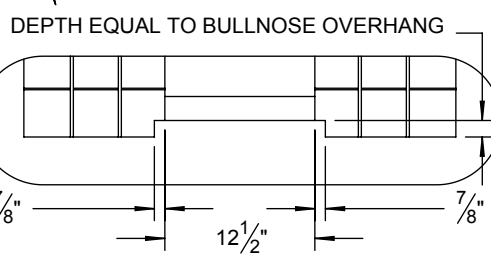
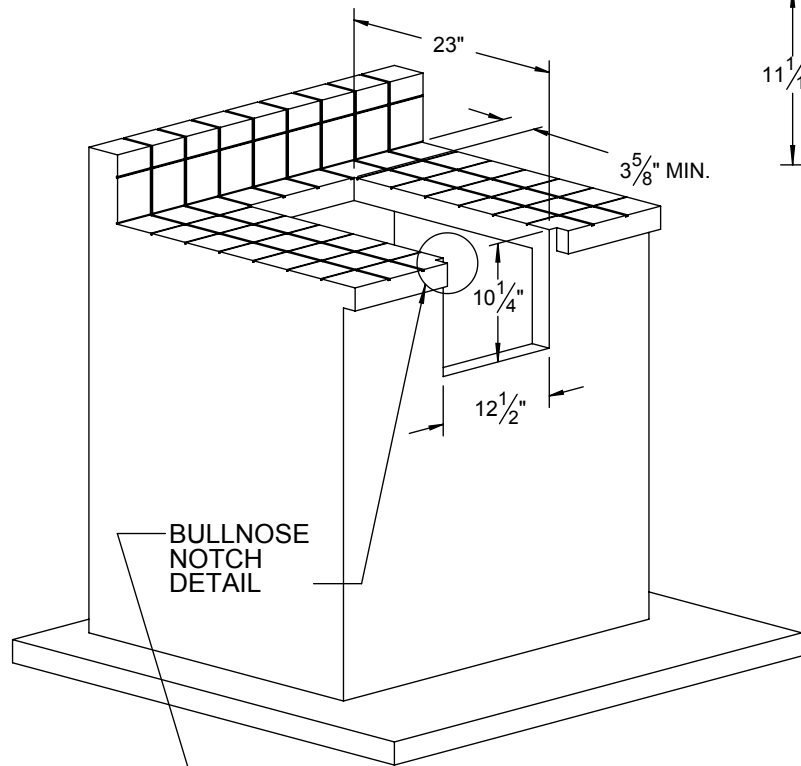
AGBC-14 TYPICAL INSTALLATION



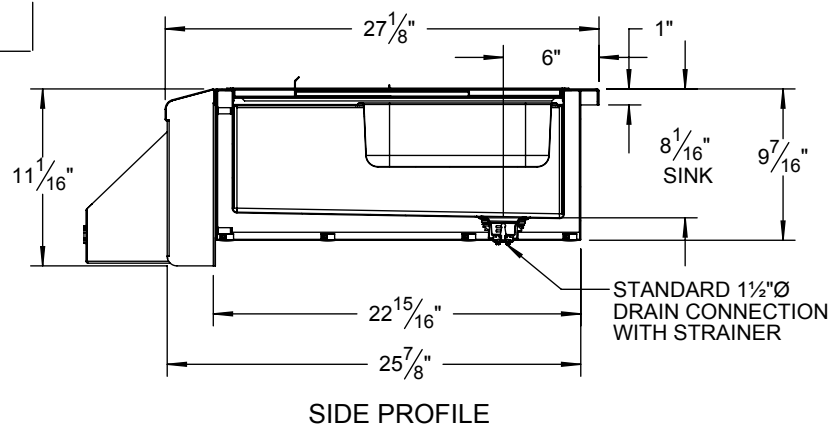
FRONT VIEW

TOP VIEW

COUNTERTOP CUTOUT REQUIREMENTS



NOTES:
 • A DRAIN MUST BE PROVIDED INSIDE THE COUNTER FOR PROPER AGBC-14 INSTALLATION.



SIDE PROFILE

