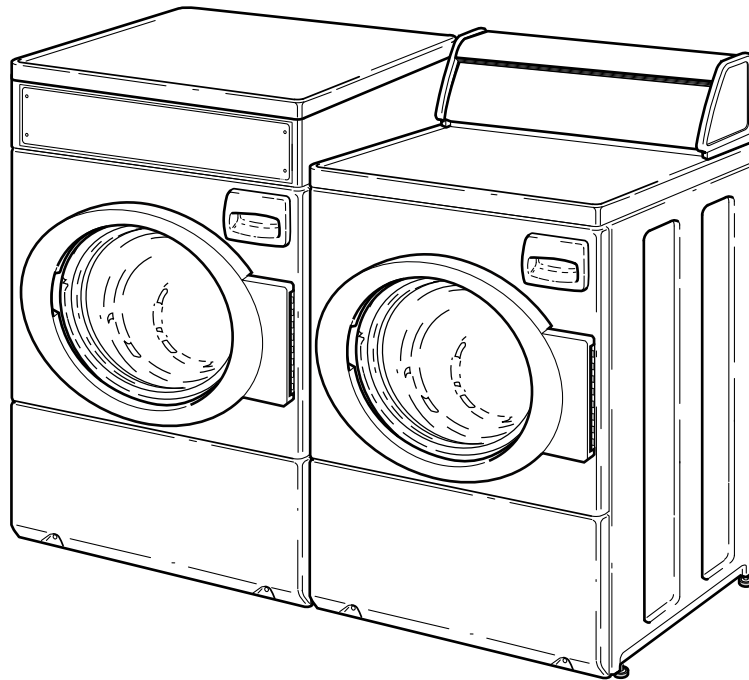


# Home Frontload Washers

Refer to Page 3 for Model Numbers



FLW1536C\_802849



# Table of Contents

Title	Page
Parts Ordering Information.....	2
Nameplate Location .....	2
Model Identification .....	3
Cabinet Top, Control Panel and Controls .....	4
Control Cabinet and Controls.....	6
Graphic Panel, Control Support Panel and Controls .....	8
Cabinet Top and Control Hood Rear Panel .....	10
Front Panel, Door Assembly and Door Seal .....	12
Dispenser Assembly .....	14
Mixing Valve, Fill Hose and Valve-to-Dispenser Hose.....	16
Outer Tub, Front and Clamp Ring.....	18
Inner Basket, Trunnion, Bearing Housing and Pulley .....	20
Motor and Belt.....	22
Drain Hose and Pump.....	24
Base, Side Panels and Rear Panel.....	26
Special Tools .....	28
Labels .....	30
Shipping Materials .....	32
Wire Ties, Harness Clips and Lead-In Cord.....	34
Wire Harnesses and Wires .....	36
Parts Index.....	39

© Copyright 2013, Alliance Laundry Systems LLC

All rights reserved. No part of the contents of this book may be reproduced or transmitted in any form or by any means without the expressed written consent of the publisher.

## Parts Ordering Information

If literature or replacement parts are required, contact the source from whom the machine was purchased or contact Alliance Laundry Systems at (920) 748-3950 for the name and address of the nearest authorized parts distributor.

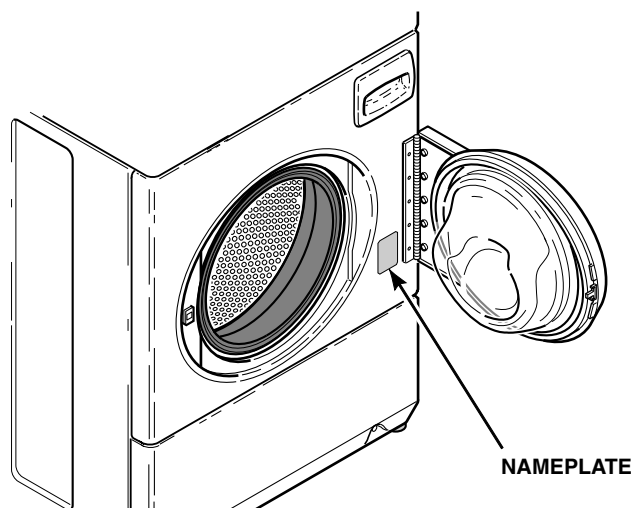
For technical assistance, call either of the numbers listed below:

(920) 748-3121 Ripon, Wisconsin

+32 56 41 20 54 Wevelgem, Belgium

## Nameplate Location

When calling or writing about your product, be sure to mention model and serial numbers. Model and serial numbers are located on nameplate(s) as shown.



FLW2123N\_802849

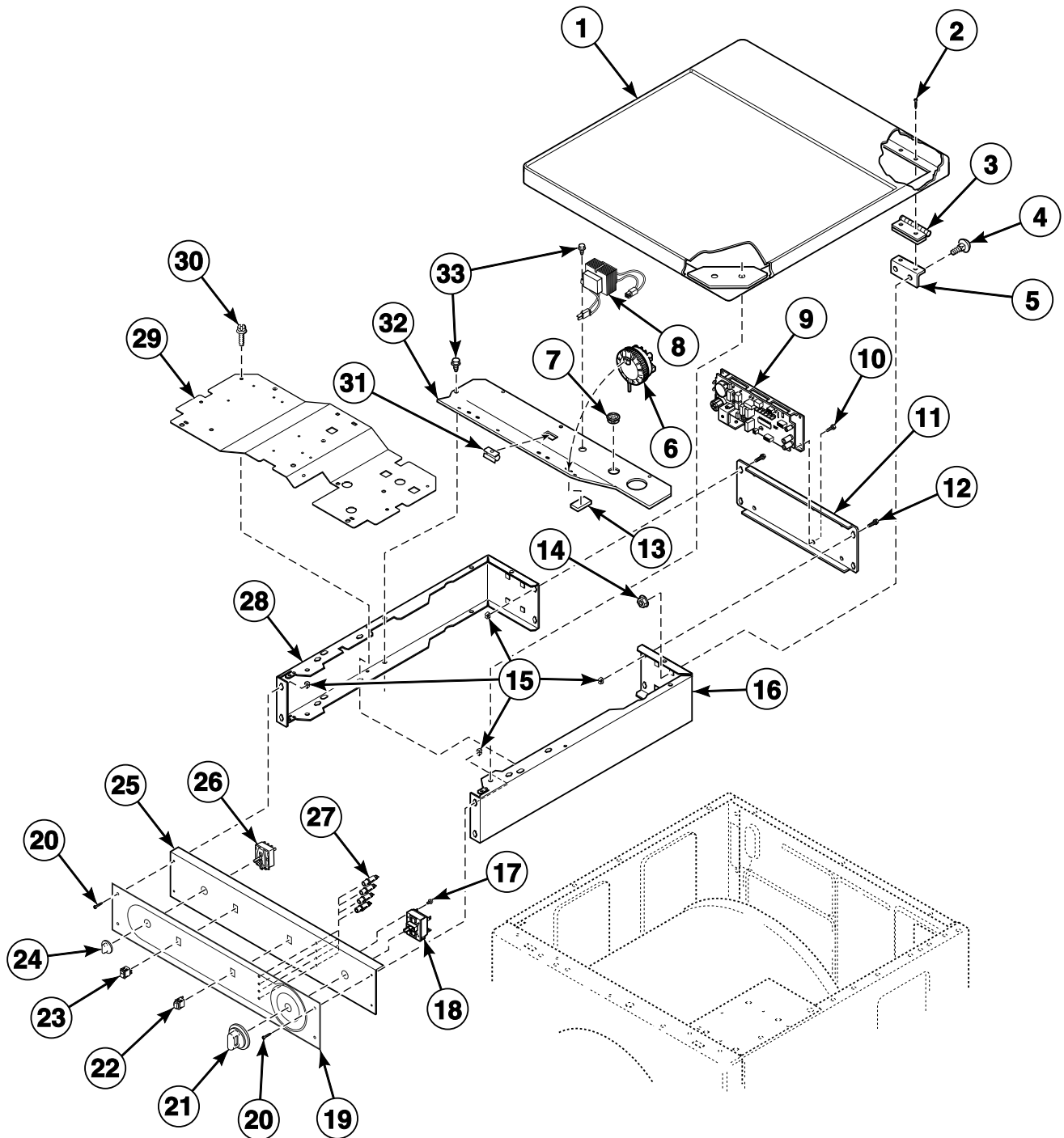
## Model Identification

Information in this manual is applicable to these washer models:

AFB50RSP111TW01  
AFN50FSP111TW01  
AFN50RSP111TW01  
AFN51FSP111TN01  
ATSA0AWN  
ATSA5AWN  
CTSA0AWN

# Cabinet Top, Control Panel and Controls

Models AFN50FSP111TW01 and CTSA0AWN



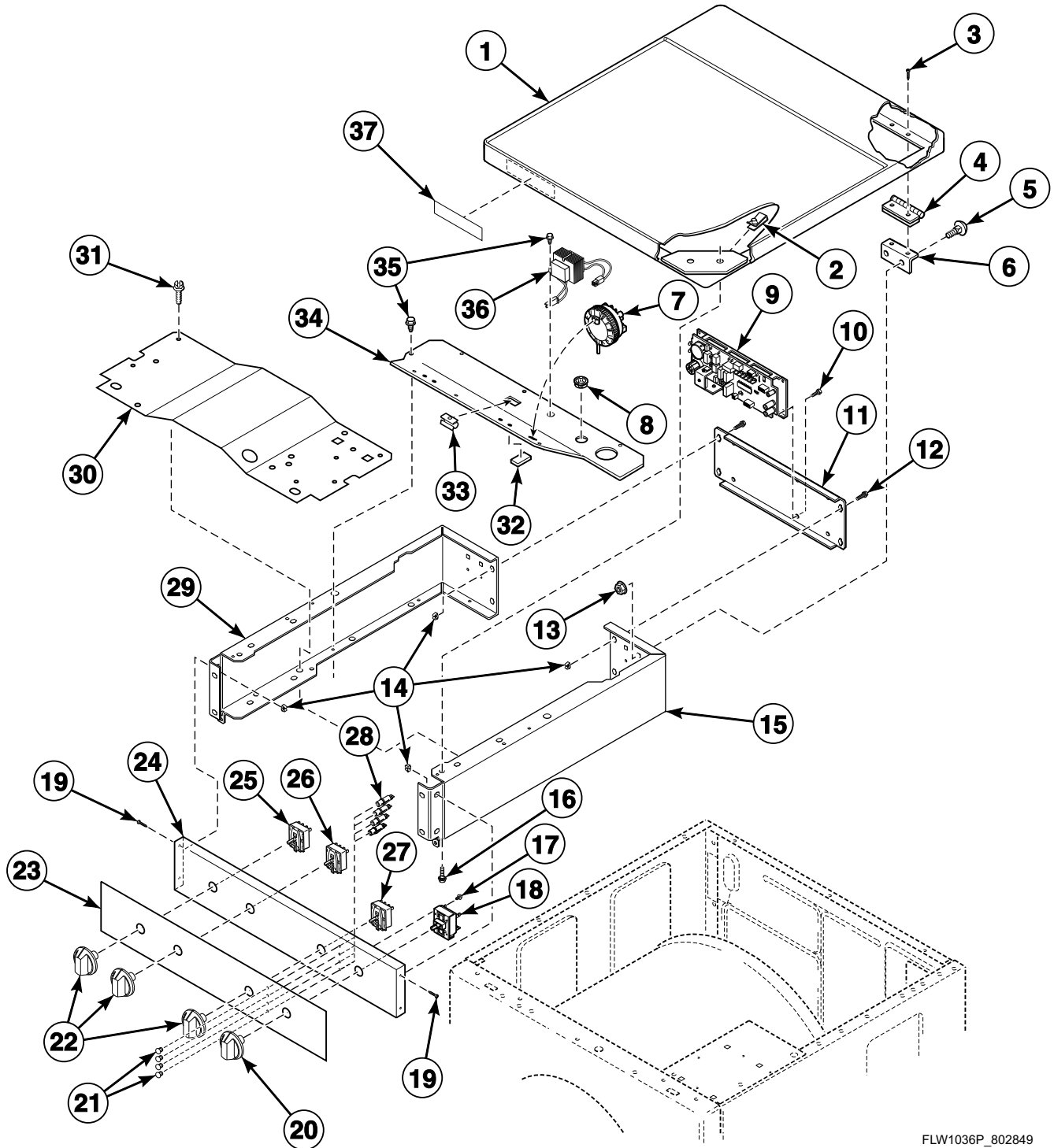
FLW914P\_802849

## Cabinet Top, Control Panel and Controls

REF	PART NO.	DESCRIPTION	COMMENTS
1	802247WP	Top and Gusset Assembly	
2	685847	Pop Rivet	
3	511036	Hinge	
4	29651	Bolt	
5	504228	Top Mounting Bracket	
6	802299P	Pressure Switch	
7	M402542	Snap Bushing	
8	210018P	Transformer	
9	802523P	Control Assembly	
	801333	Jumper Assembly	Attaches to H7 on control
10	501524	Screw	
11	801058	Rear Control Cabinet	
12	70240301	Screw	
13	56128	Bumper Pad	
14	44087201	Nut	
15	70030501	Expansion Clip	
16	800915W	Right Control Cabinet Side	
17	501086	Screw	
18	801240	Cycle Switch	
19	802183	Graphic Overlay	Model CTSA0AWN
	802977	Graphic Overlay	Model AFN50FSP111TW01
20	800930	Screw	
21	512117W	Timer Knob Assembly	Model CTSA0AWN
	803118P	Timer Knob Assembly	Model AFN50FSP111TW01
22	801434W	Push-to-Start Switch	
23	38424W	Rocker Switch	Extra rinse
24	36701W	Knob Assembly	Model CTSA0AWN
	803119P	Control Knob Assembly	Model AFN50FSP111TW01
25	802045W	Control Panel Assembly	
26	687542	Temperature Switch	
27	801431	Light	
28	800900WP	Left Control Cabinet Side	
29	801777	Control Cabinet Bottom	
30	503688	Screw	
31	36985	Hose Clip	
32	801371	Control Shield	
33	503661	Screw	

# Control Cabinet and Controls

Model AFN51FSP111TN01



FLW1036P\_802849

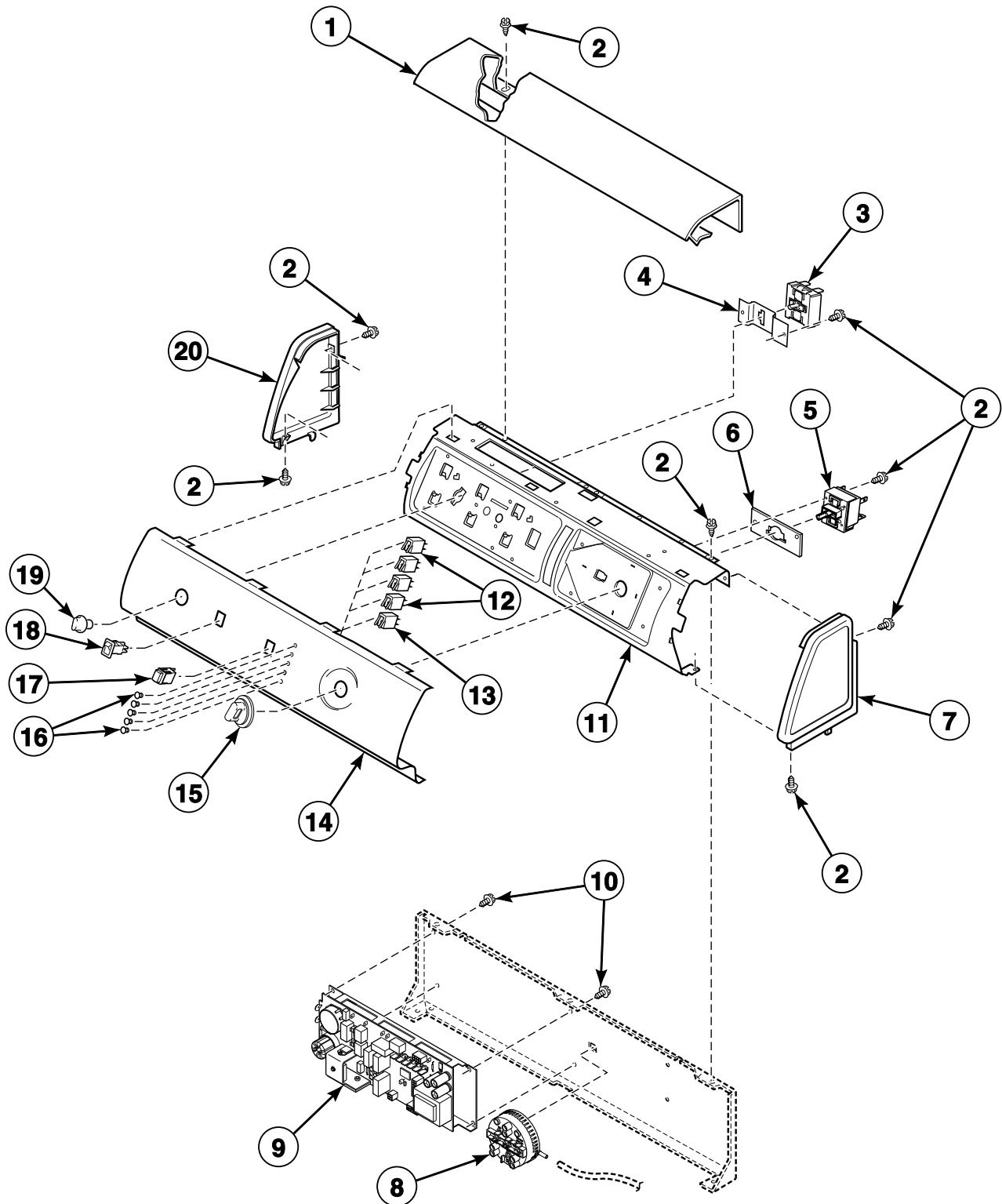


## Control Cabinet and Controls

REF	PART NO.	DESCRIPTION	COMMENTS
1	803144P	Top Kit	Includes items 2-6, 13 and 4 each 22649 Screw and 51236 Nut
2	36020	Nut	
3	685847	Pop Rivet	
4	511036	Hinge	
5	29651	Bolt	
6	504228	Top Mounting Bracket	
7	802299P	Pressure Switch	
8	M402542	Snap Bushing	
9	802523P	Control Assembly	
10	501524	Screw	
11	801058	Rear Control Cabinet	
12	70240301	Screw	
13	44087201	Nut	
14	70030501	Expansion Clip	
15	803141	Control Cabinet	Right
16	23008	Screw	
17	501086	Screw	
18	801240	Cycle Switch	
19	F430956	Screw	
20	803098P	Timer Knob Assembly	
21	803294	Lens	
22	803099P	Control Knob Assembly	
23	803067	Panel	
24	803214	Control Panel Assembly	
25	687542	Temperature Switch	
26	803568	Selector Switch	
27	803569	Twist-to-Start Switch	
28	801431	Light	
29	803142	Control Cabinet	Left
30	801777	Control Cabinet Bottom	
31	M405188	Screw	Use with stainless steel side panels
	503688	Screw	Use with painted side panels
32	56128	Bumper Pad	
33	36985	Hose Clip	
34	801371	Control Shield	
35	503661	Screw	
36	210018P	Transformer	
37	803013	Badge	

# Graphic Panel, Control Support Panel and Controls

Models AFB50RSP111TW01, AFN50RSP111TW01, ATSA0AWN and ATSA5AWN



FLW890P\_802849

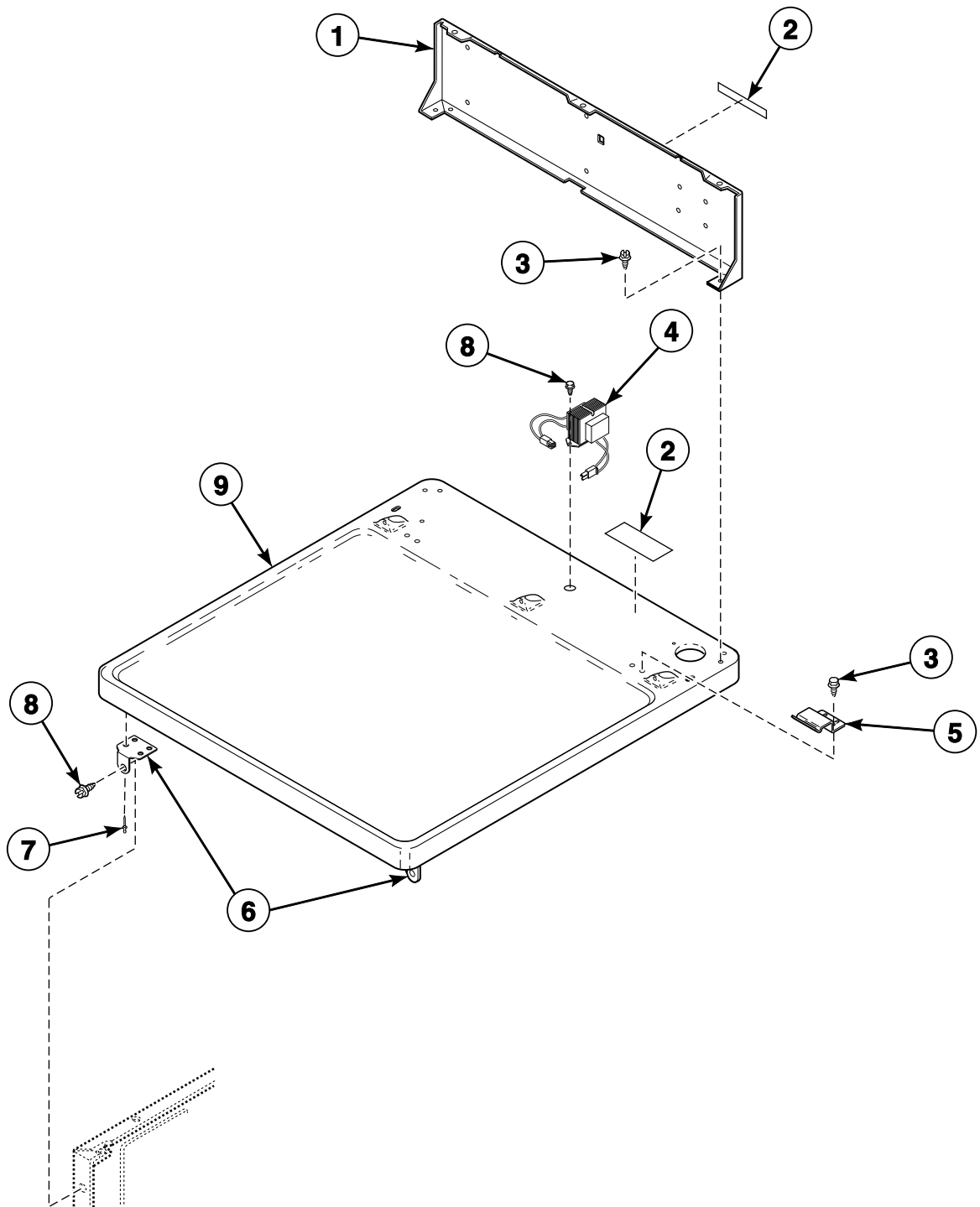
## Graphic Panel, Control Support Panel and Controls

REF	PART NO.	DESCRIPTION	COMMENTS
1	505808W	Top Cover	
2	501086	Screw	
3	687542	Temperature Switch	Models AFN50RSP111TW01 and ATSA0AWN
	35117	Temperature Switch	Models AFB50RSP111TW01 and ATSA5AWN
4	800669	Temperature Switch Bracket	
5	801240	Cycle Switch	
6	801390	Cycle Switch Bracket	
7	504008WP	End Panel	Right
8	802299P	Pressure Switch	
9	802523P	Control Assembly	
10	685837	Screw	
11	801388	Control Support Panel	
12	801356	Indicator Light	Green
13	801357	Indicator Light	Red; Models AFB50RSP111TW01 and ATSA5AWN
14	N/A	Graphic Panel	Model ATSA0AWN
	802178W	Graphic Panel	Model ATSA5AWN
	802978W	Graphic Panel	Model AFN50RSP111TW01
	802979W	Graphic Panel	Model AFB50RSP111TW01
15	512117W	Timer Knob Assembly	Models ATSA0AWN and ATSA5AWN
	803168P	Knob Assembly	Models AFB50RSP111TW01 and AFN50RSP111TW01
16	801435	Indicator Light Lens	
17	801434W	Push-to-Start Switch	
18	38424W	Rocker Switch	Extra rinse
19	36701W	Knob Assembly	Models ATSA0AWN and ATSA5AWN
	803119P	Control Knob Assembly	Models AFB50RSP111TW01 and AFN50RSP111TW01
20	504009WP	End Panel	Left

**N/A = Part no longer available**

# Cabinet Top and Control Hood Rear Panel

Models AFB50RSP111TW01, AFN50RSP111TW01, ATSA0AWN and ATSA5AWN

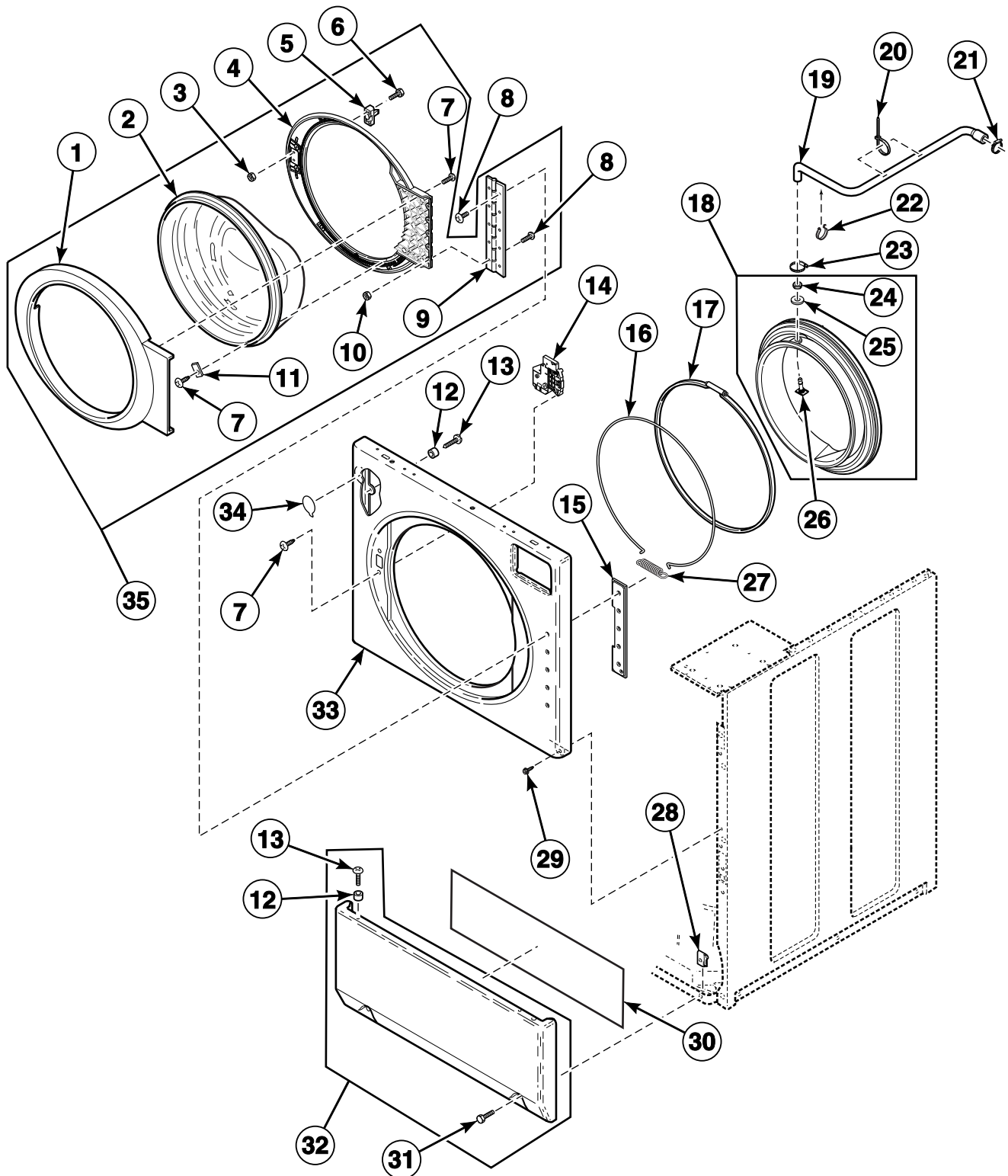


FLW985P\_802849

## Cabinet Top and Control Hood Rear Panel

REF	PART NO.	DESCRIPTION	COMMENTS
1	801060	Hood Back Panel	
2	505281	Disconnect Power Warning Label	
3	501086	Screw	
4	210018P	Transformer	
5	35358	Hold-Down Clip	
6	510146	Bracket	
7	70058501	Pop Rivet	
8	503661	Screw	
9	510029WP	Top Panel Kit	

# Front Panel, Door Assembly and Door Seal

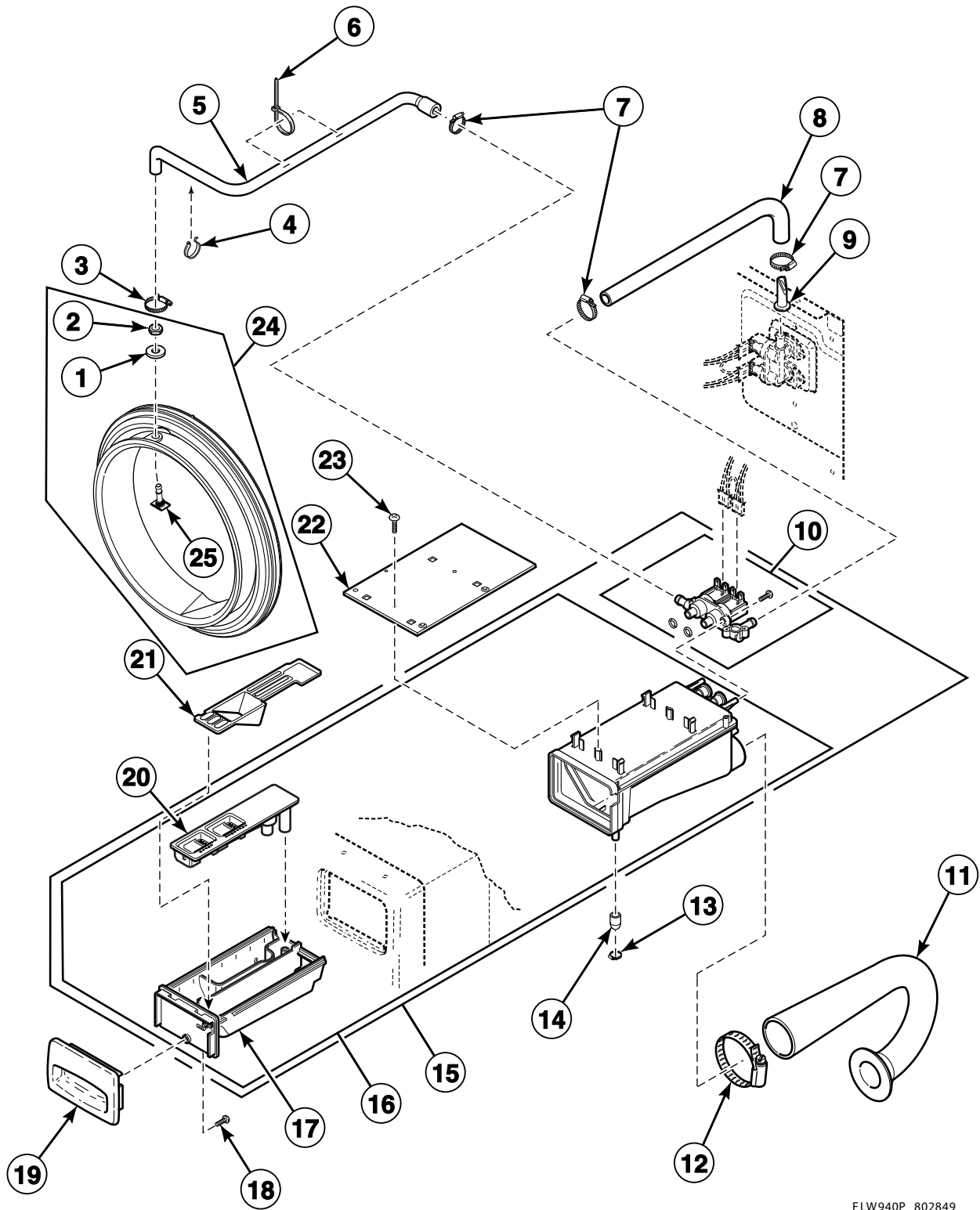


FLW954P\_802849

## Front Panel, Door Assembly and Door Seal

REF	PART NO.	DESCRIPTION	COMMENTS
1	803219	Outer Bezel Assembly	Model AFN51FSP111TN01
	802616WP	Outer Bezel Assembly	All other models
2	802695P	Door Glass	
3	685846	Nut	
4	802331P	Inner Door Bezel Kit	Model AFN51FSP111TN01
	802307P	Inner Door Bezel Kit	All other models
5	802803	Door Catch Assembly	
6	801993	Screw	
7	800548	Screw	
8	801019	Screw	
9	802934	Door Hinge	
10	23951	Nut	
11	802700	Glass Mounting Clip	
12	56079	Panel Locator	
13	512921	Screw	Model AFN51FSP111TN01
	39733	Screw	All other models
14	802317P	Door Latch/Switch Assembly	
15	802206	Hinge Plate	
16	802283	Wire Clamp Ring	
17	802281	Hose Clamp	Seal to outer tub front
18	802866P	Door Seal Assembly	Black; Includes items 24-26
	802830P	Door Seal Kit	Gray; Includes items 24-26
19	802256	Dispenser-to-Door Seal Hose	
20	55881	Harness Strap	
21	802164	Hose Clamp	
22	687500	Wire Clip	
23	802698	Hose Clamp	
24	802292	Nut	
25	802293	Washer	
26	802291	Boot Nozzle	
27	802285	Extension Spring	
28	36020	Nut	
29	503661	Screw	
30	685368	Access Panel Damper	
31	801045	Screw	
32	514251	Access Panel Assembly	Model AFN51FSP111TN01
	514250W	Access Panel Assembly	All other models
33	802288P	Front Panel	Model AFN51FSP111TN01
	802277WP	Front Panel	All other models
34	201495	Sticker	Models ATSA0AWN, ATSA5AWN and CTSA0AWN
35	803218P	Door Assembly	Model AFN51FSP111TN01; Includes items 1-11
	802617WP	Door Assembly	All other models; Includes items 1-11

# Dispenser Assembly



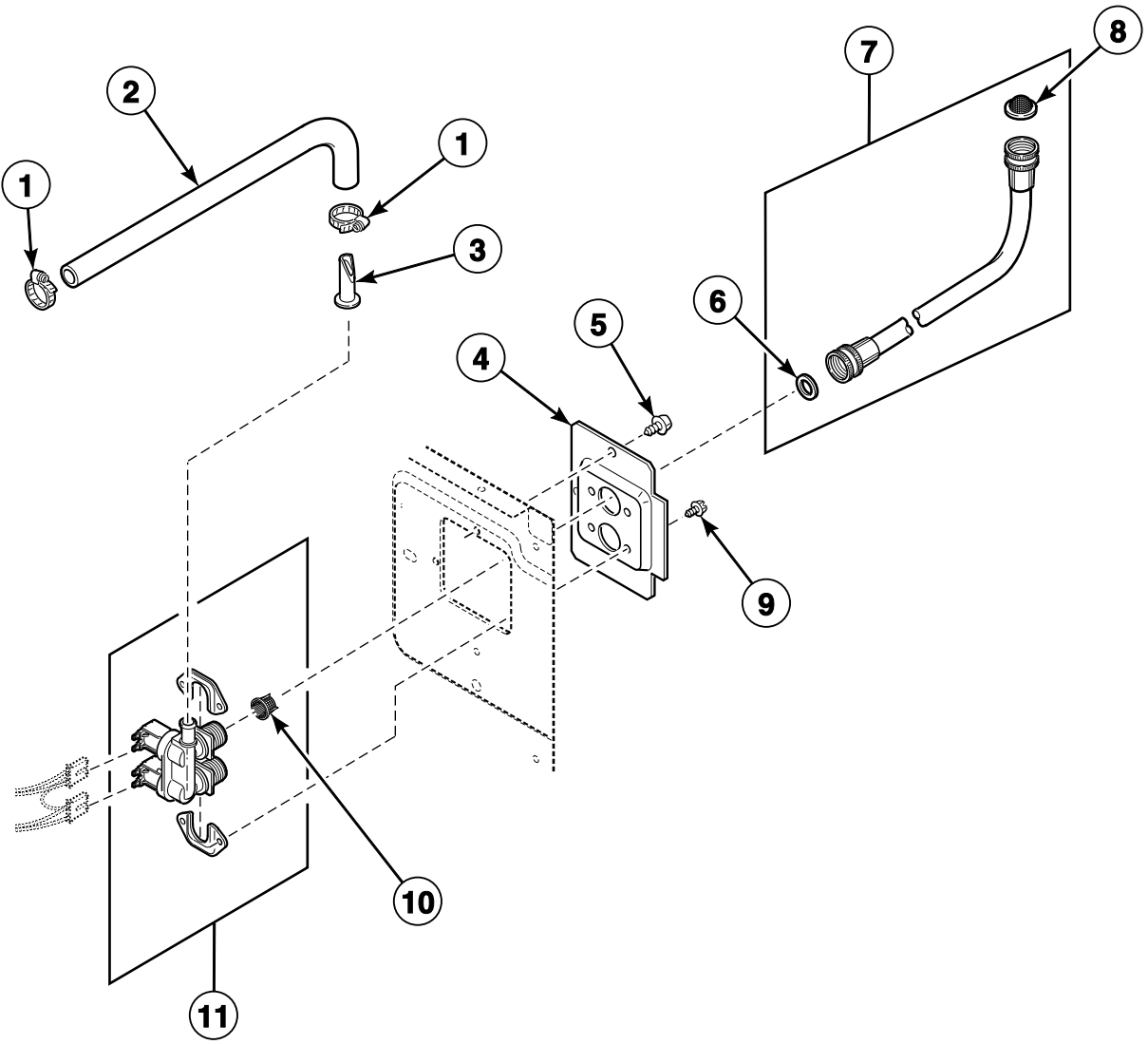
FLW940P\_802849



# Dispenser Assembly

REF	PART NO.	DESCRIPTION	COMMENTS
1	802293	Washer	
2	802292	Nut	
3	802698	Hose Clamp	
4	687500	Wire Clip	
5	802256	Dispenser-to-Door Seal Hose	
6	55881	Harness Strap	
7	802164	Hose Clamp	
8	801464	Valve-to-Dispenser Inlet Hose	
9	34500	Backflow Preventer	
10	685766P	Valve Kit	
11	800331	Dispenser-to-Tub Hose	
12	685725	Hose Clamp	
13	F200206	Hose Clamp	
14	801746	Cap	
15	685756P	Dispenser	Includes items 10, 16, 17 and 20
16	801476P	Dispenser Assembly	Includes items 17 and 20 and drawer
17	685757P	Dispenser Drawer	
18	800548	Screw	
19	803204	Dispenser Handle	Model AFN51FSP111TN01
	685715WP	Dispenser Drawer Front	All other models
20	685716	Insert	
21	800899	Detergent Cover	
22	801024	Dispenser Plate	
23	801001	Screw	
24	802866P	Door Seal Assembly	Black; Includes items 1, 2 and 25
	802830P	Door Seal Kit	Gray; Includes items 1, 2 and 25
25	802291	Boot Nozzle	

# Mixing Valve, Fill Hose and Valve-to-Dispenser Hose

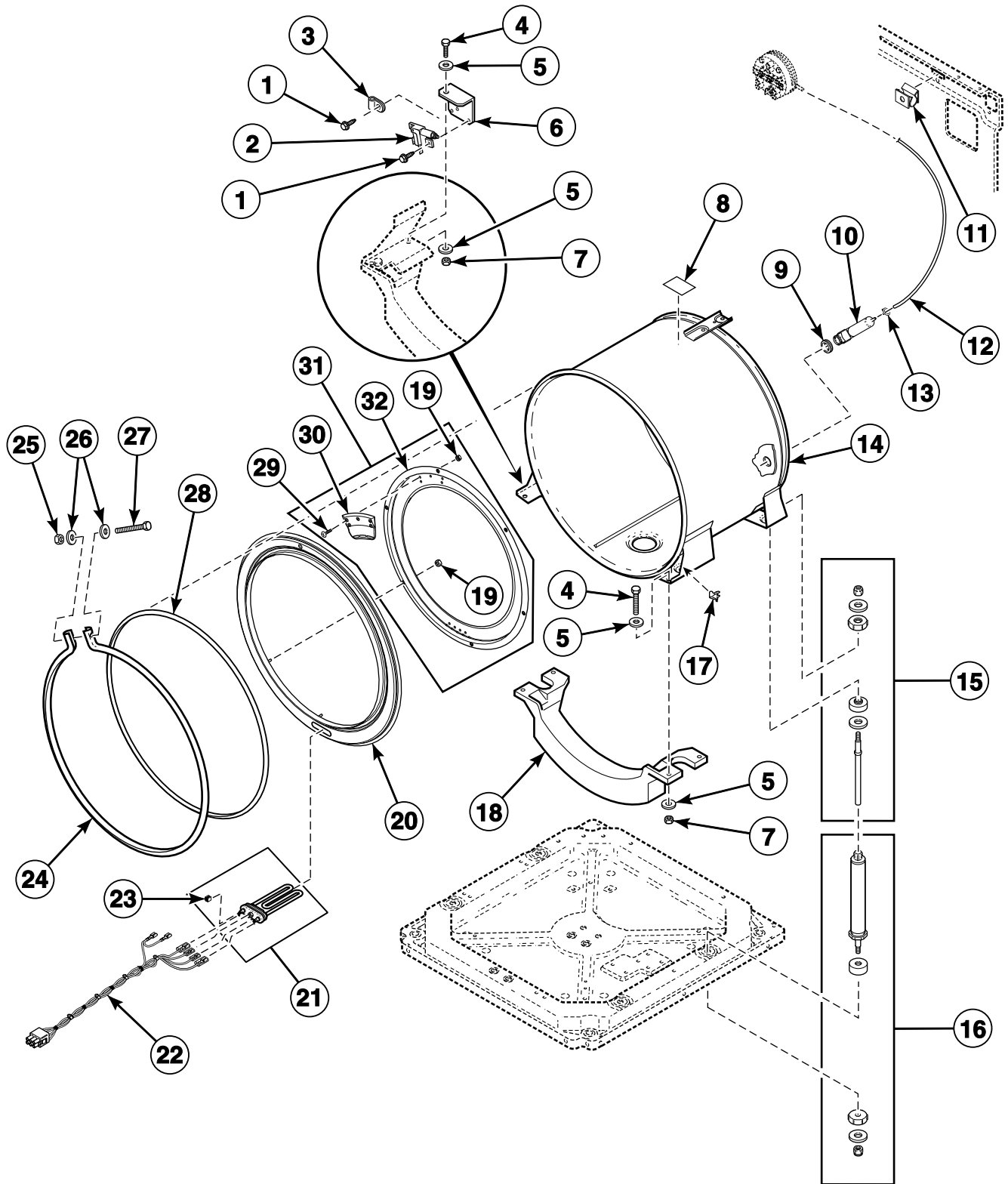


FLW881P\_802849

## Mixing Valve, Fill Hose and Valve-to-Dispenser Hose

REF	PART NO.	DESCRIPTION	COMMENTS
1	802164	Hose Clamp	
2	801464	Valve-to-Dispenser Inlet Hose	
3	34500	Backflow Preventer	
4	800323	Mixing Valve Plate	
5	503661	Screw	
6	20290	Washer	
7	F200116	Water Hose	Includes items 6 and 8
8	803615	Washer	Filter screen
	802254	Washer	Flow restrictor; Water pressure reducer; Available for water pressure up to but not exceeding 120 psi
9	501086	Screw	
10	802926	Mixing Valve Screen	
11	802220P	Mixing Valve	

# Outer Tub, Front and Clamp Ring

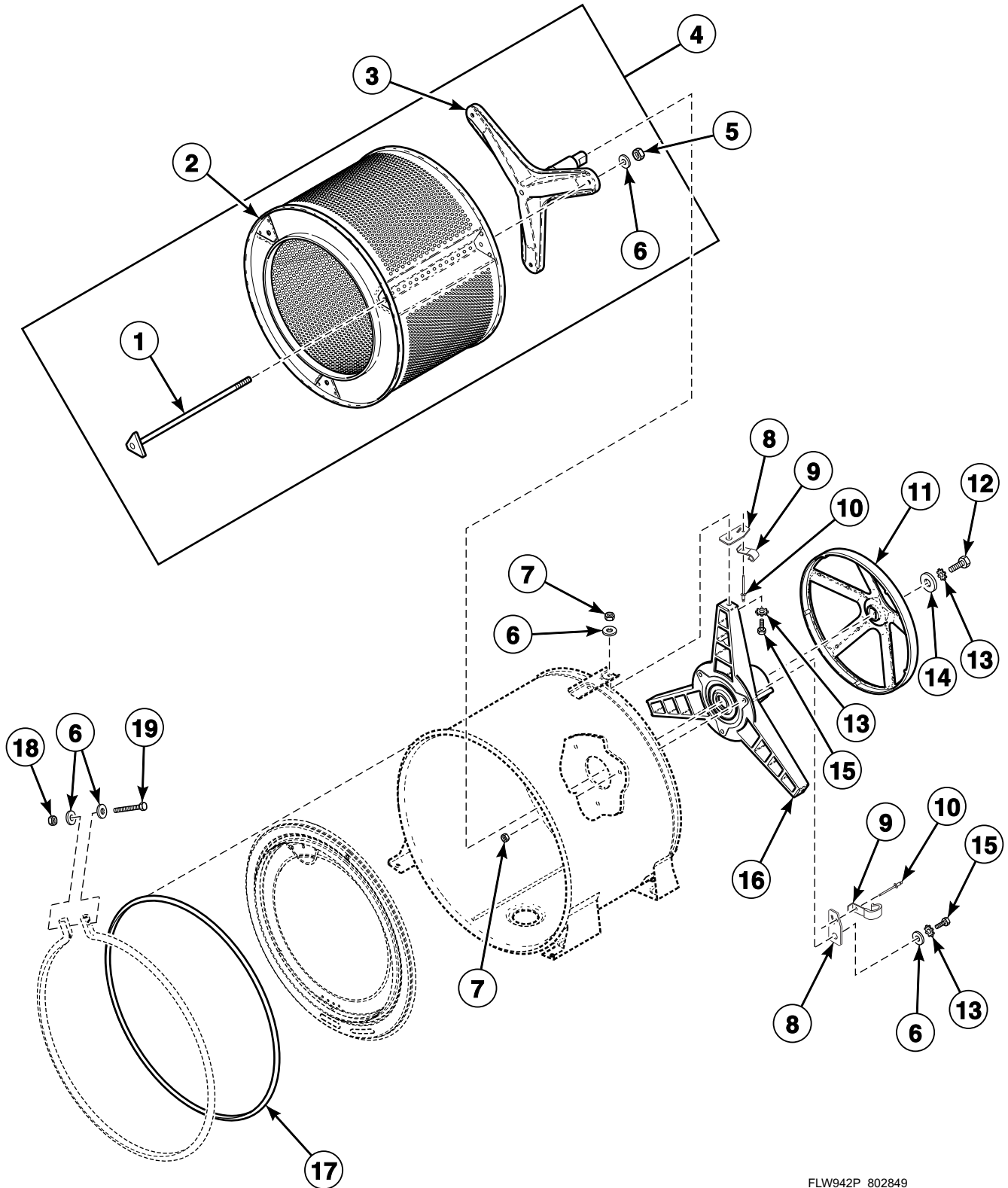


FLW1019P\_802849

## Outer Tub, Front and Clamp Ring

REF	PART NO.	DESCRIPTION	COMMENTS
1	503661	Screw	
2	801006	Out-of-Balance Switch Assembly	Models through Serial No. 1201004551
	803415	Out-of-Balance Switch Assembly	Models starting Serial No. 1201004552
3	800811	Wire Clamp	
4	800461	Screw	
5	M400081	Washer	
6	800663	Switch Mounting Bracket	Models through Serial No. 1201004551
	803388	Switch Mounting Bracket	Models starting Serial No. 1201004552
7	800452	Nut	
8	500049	Warning Label	
9	29175	Grommet	
10	30907	Pressure Bulb	
11	36985	Hose Clip	
12	29214	Tubing	Models AFB50RSP111TW01, AFN50RSP111TW01, ATSA0AWN and ATSA5AWN
	800648P	Tubing	Models AFN50FSP111TW01, AFN51FSP111TN01 and CTSA0AWN
13	39282	Hose Clamp	
14	801291	Outer Tub Assembly	Models AFB50RSP111TW01 and ATSA5AWN
	801081P	Outer Tub Assembly	Models AFN50FSP111TW01, AFN50RSP111TW01, AFN51FSP111TN01, ATSA0AWN and CTSA0AWN
15	800622P	Tub Shock Absorber Kit	Upper
16	802881P	Base Shock Absorber Kit	Lower; Must replace all four
17	00161	Grounding Clip	
18	800205	Ballast Weight	
19	802343	Nut	
20	802258	Tub Front Assembly	Models AFN50FSP111TW01, AFN50RSP111TW01, AFN51FSP111TN01, ATSA0AWN and CTSA0AWN
	802259	Tub Front Assembly	Model ATSA5AWN; Model AFB50RSP111TW01 through Serial No. 1004018614
	803493	Tub Front Assembly	Model AFB50RSP111TW01 starting Serial No. 1004018615
21	801306P	Heating Element Kit	Models AFB50RSP111TW01 and ATSA5AWN; Includes item 23
22	802322P	Heater Harness Assembly	Model ATSA5AWN; Model AFB50RSP111TW01 through Serial No. 1004018614
	803491	Heater Harness Assembly	Model AFB50RSP111TW01 starting Serial No. 1004018615
23	803256	Thermistor	Models AFB50RSP111TW01 and ATSA5AWN
24	800312	Clamp Ring	
25	F430218	Nut	
26	800457	Washer	
27	800462	Screw	
28	800432P	Tub Front Seal	
29	802596	Screw	
30	804174P	Clothes Guard Deflector	
	804482	Clothes Guard Deflector	Heavy duty
31	804560P	Clothes Guard and Deflector Kit	Includes items 7, 19, 26-30 and 32
32	803537	Clothes Guard	

# Inner Basket, Trunnion, Bearing Housing and Pulley

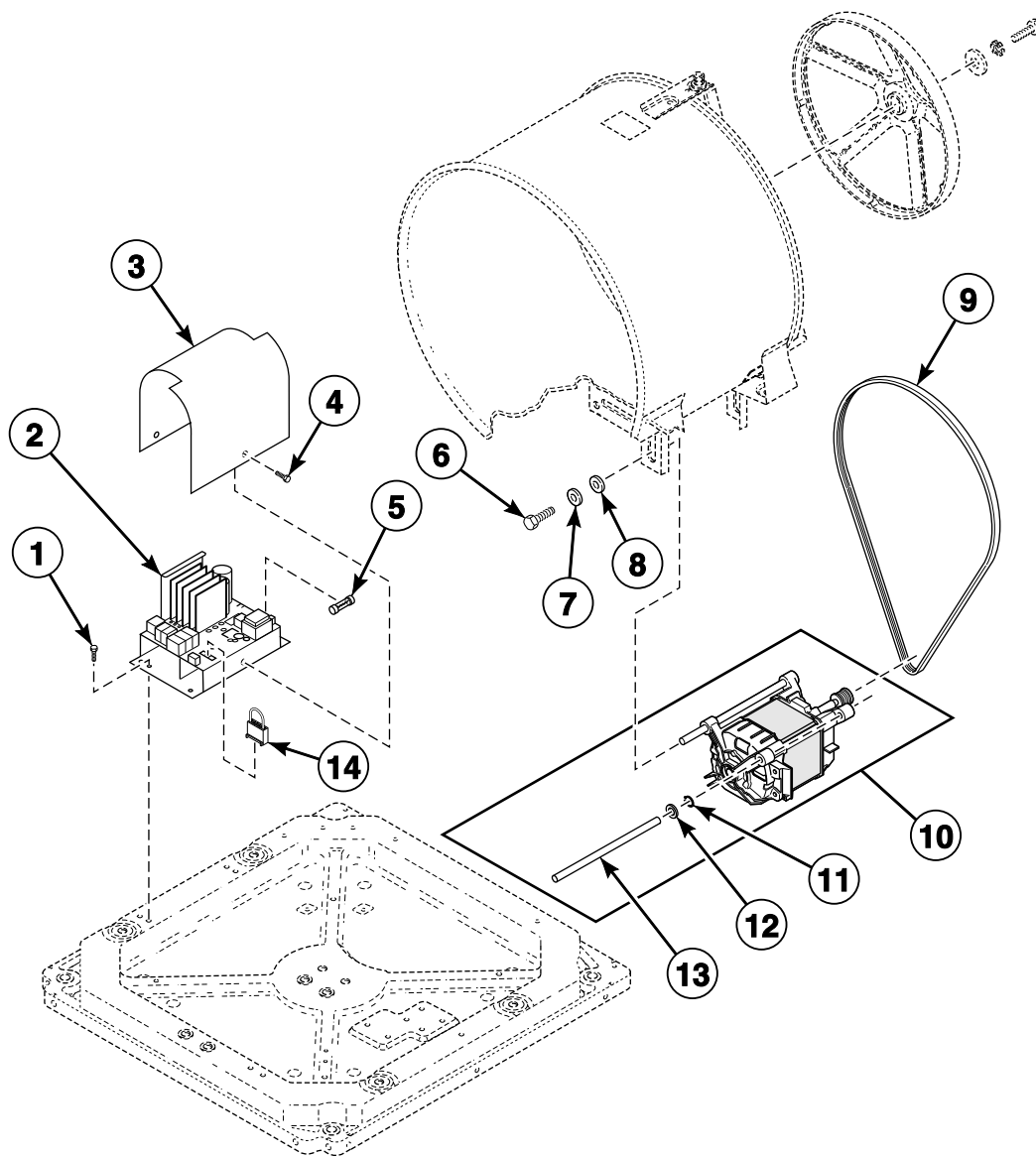


FLW942P\_802849

## Inner Basket, Trunnion, Bearing Housing and Pulley

REF	PART NO.	DESCRIPTION	COMMENTS
	27604P	Anti-Seize Compound	Pulley to inner basket shaft
	838P3	Hardware Kit	Includes (8) of item 6, (6) of item 7, (7) of item 13, (6) of item 15, (1) each of items 12, 14, 17, 18, 19 and 27604P Anti-Seize Compound
	RB160001	Bearing Kit	
1	800666	Tension Rod Assembly	
2	803008P	Inner Basket Assembly	
3	800749P	Trunnion Shaft and Hardware Kit	Includes (3) each of items 1, 5, 6, and 838P3 Hardware Kit; If ordering trunnion shaft separately, inner basket and trunnion shaft must be properly aligned to prevent door seal damage. Refer to appropriate service manual.
4	802365P	Inner Basket Assembly	
5	685844	Nut	
6	800457	Washer	
7	800452	Nut	
8	800552	Hose Mounting Plate	
9	800553	Hose Clip	
10	685847	Pop Rivet	
11	800866	Driven Pulley	
12	685831	Screw	Left hand thread
13	M403958	Washer	
14	800464	Washer	
15	M400043	Screw	
16	800428P	Bearing Housing Kit	Includes 838P3 Hardware Kit
17	800432P	Tub Front Seal	
18	F430218	Nut	
19	800462	Screw	

# Motor and Belt



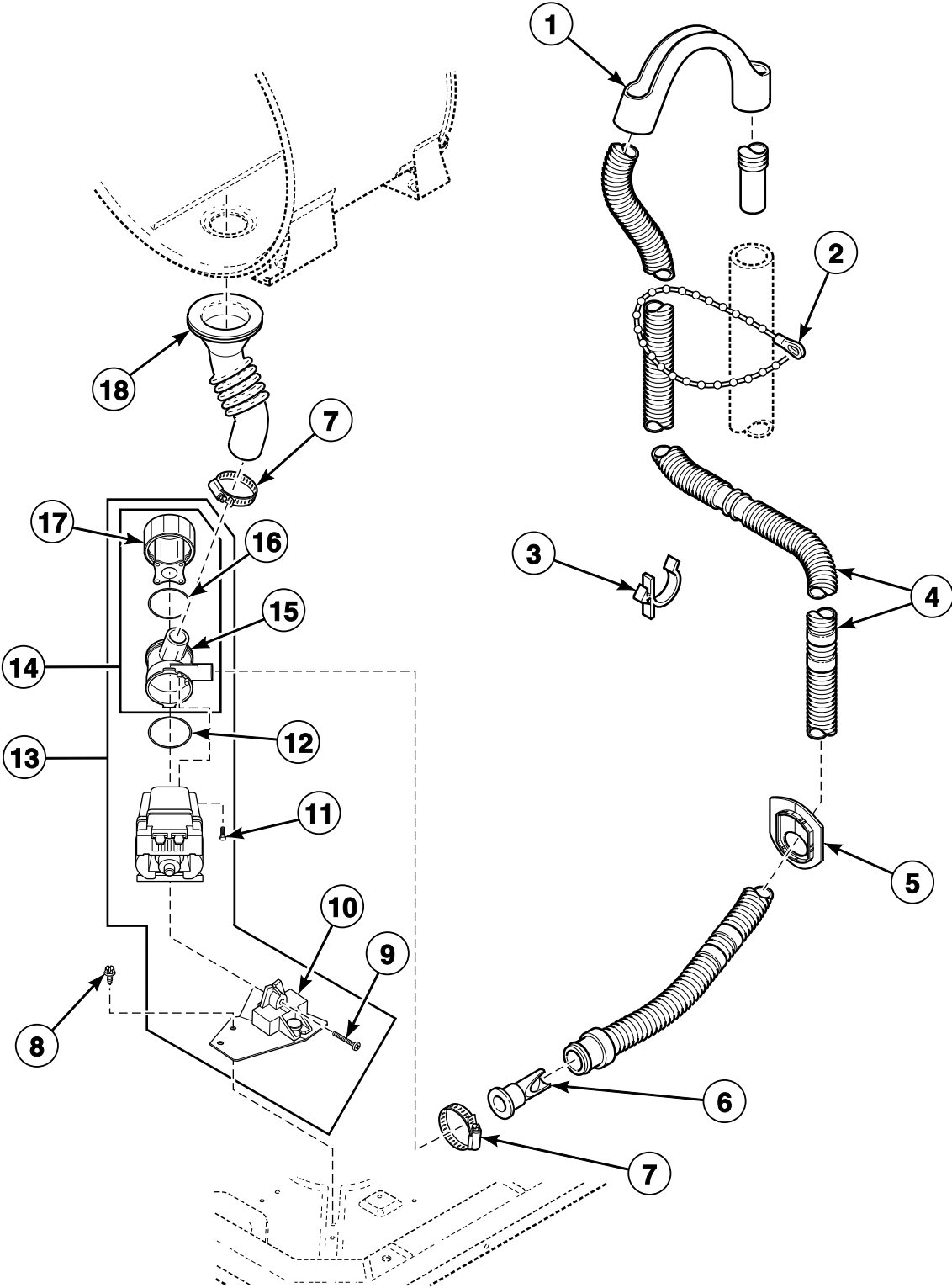
FLW1022P\_802849



## Motor and Belt

REF	PART NO.	DESCRIPTION	COMMENTS
1	503661	Screw	
2	803254P	Inverter Control Assembly	
3	801061	Control Shield	
4	501524	Screw	
5	801755	Fuse	10 Amp; Slow blow
6	M400057	Screw	
7	02834	Washer	
8	M400080	Washer	
9	800319P	Drive Belt	
10	801684P	Motor and Rod Assembly Kit	Includes 2 each of items 11-13 and wire ties
11	23748	Retaining Ring	
12	52549	Washer	
13	801062	Motor Mount Rod	
14	513268	Jumper Harness	Use to limit spin RPM on inverter controls starting Serial No. 0911014603

# Drain Hose and Pump

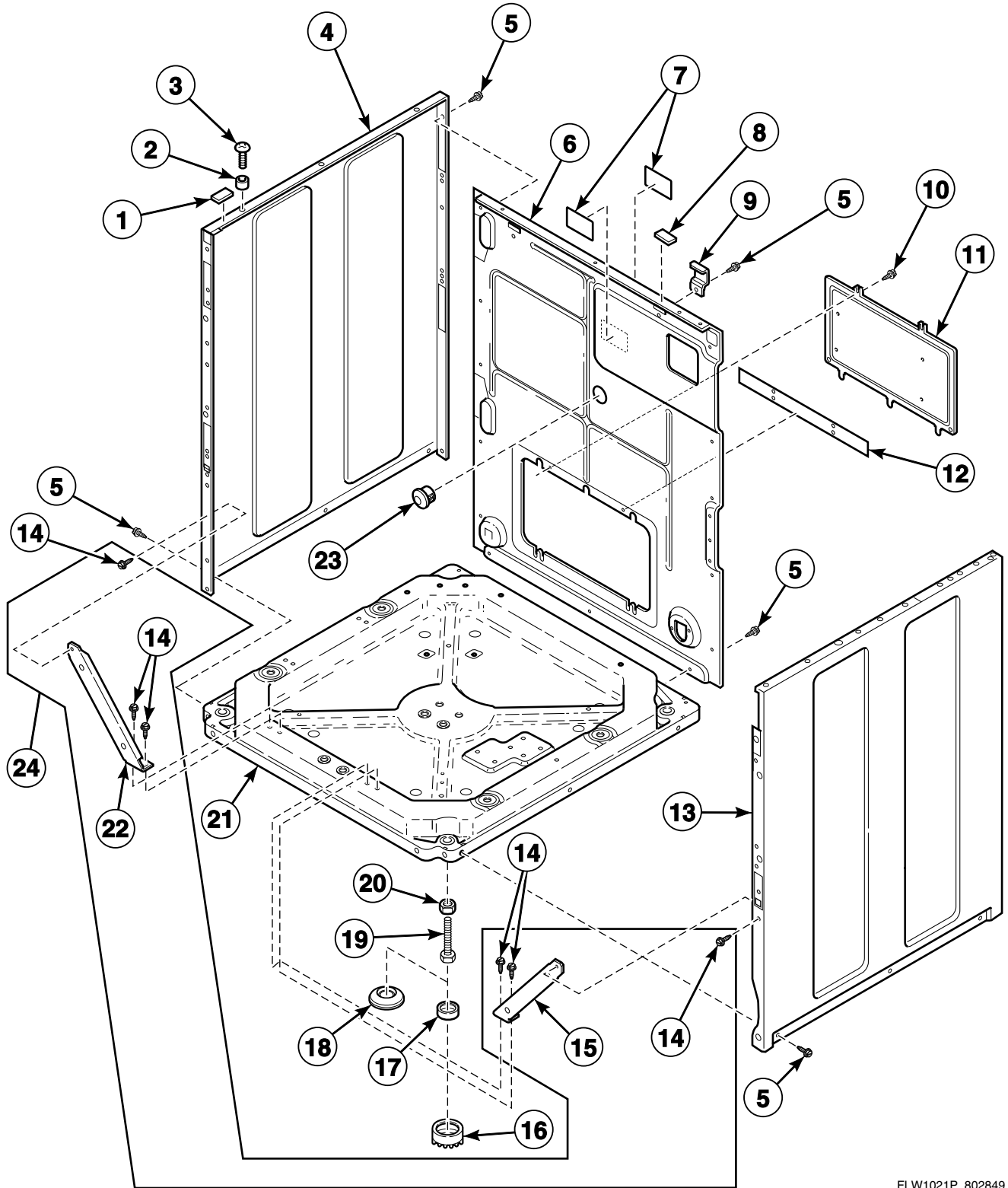


FLW951P\_802849

## Drain Hose and Pump

REF	PART NO.	DESCRIPTION	COMMENTS
1	33615	Drain Hose Sleeve	
2	33489	Standpipe Strap	
3	36014	Retainer Clip	
4	685730	Drain Hose	
5	32219	Strain Relief	
6	800310	Backflow Preventer	
7	F200204	Hose Clamp	
8	503661	Screw	
9	802430	Screw	
10	802626	Pump Mount Bracket	
11	802431	Screw	
12	802429P	O-Ring	
13	802623P	Drain Pump	
14	802434P	Pump Housing Assembly	Includes items 15-17
15	802428	Pump Housing	
16	802427	Gasket	
17	802426P	Lid Assembly	Includes filter
18	800317	Tub-to-Pump Hose	
	27615P	Sealant	Tub-to-pump hose to outer tub
	985P3	Drain Kit	Includes 803344 Tub-to-Pump Hose with Trap, 90554 Hose Clamp, 803400 Cap and 27615P Sealant

# Base, Side Panels and Rear Panel

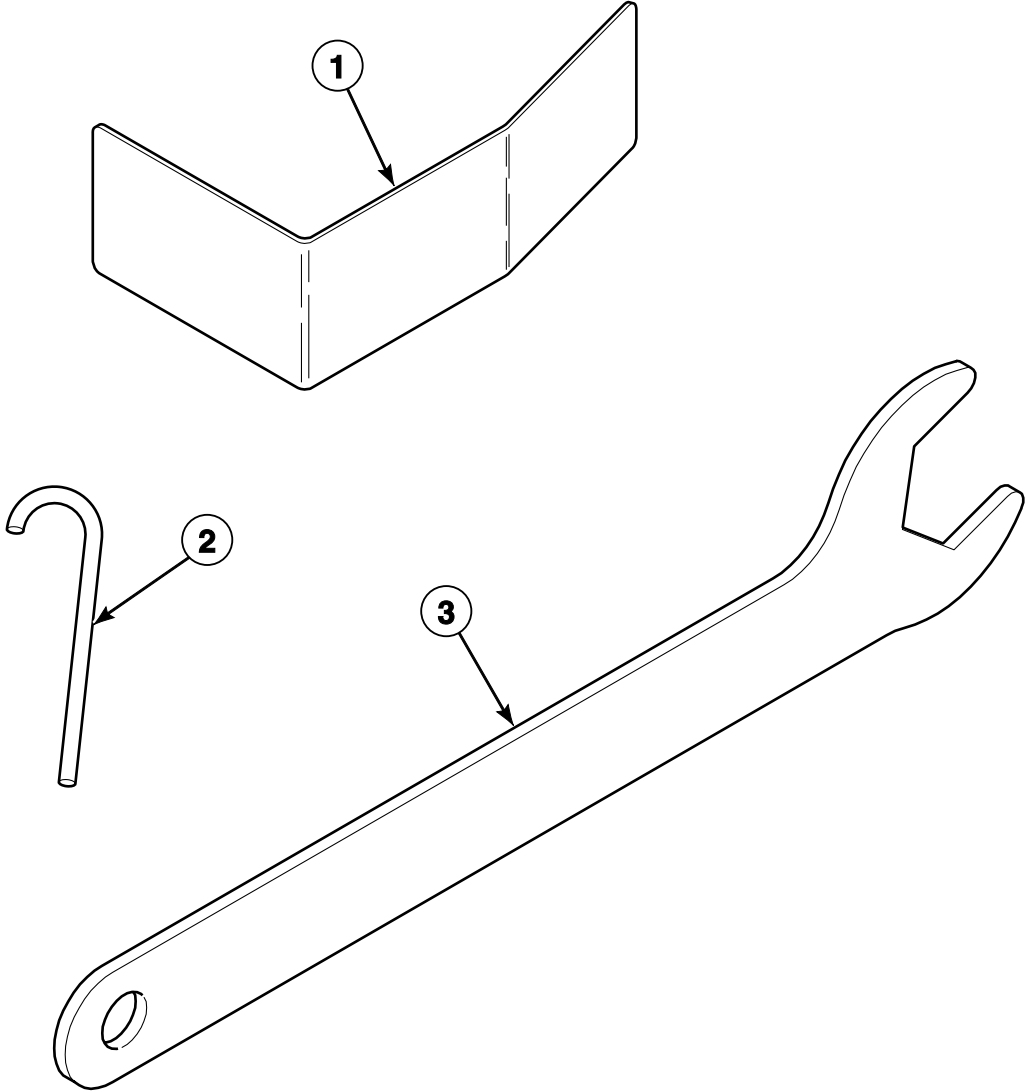


FLW1021P\_802849

## Base, Side Panels and Rear Panel

REF	PART NO.	DESCRIPTION	COMMENTS
	122P4P	Porcelain Touch-Up Paint	
1	36226	Bumper Pad	
2	56079	Panel Locator	
3	512921	Screw	Use with stainless steel panels
	39733	Screw	Use with painted panels
4	802525P	Cabinet Side Panel	Left; Stainless steel; Model AFN51FSP111TN01
	800004G	Side Panel	Left; Gray; Model AFN51FSP111TN01
	800004WP	Cabinet Panel Kit	Left; White; All other models; Includes corner gusset with hardware
5	503661	Screw	
6	800010P	Rear Panel	
7	685928	Screw Label	Left hand thread
8	36226	Bumper Pad	Models AFB50RSP111TW01, AFN50RSP111TW01, ATSA0AWN and ATSA5AWN
9	510136	Top Hinge	Models AFB50RSP111TW01, AFN50RSP111TW01, ATSA0AWN and ATSA5AWN
10	430497	Screw	
11	800011	Rear Access Panel	
12	801702	Motor Access Hole Edging	
13	802526P	Cabinet Side Panel	Right; Stainless steel; Model AFN51FSP111TN01
	800005G	Side Panel	Right; Gray; Model AFN51FSP111TN01
	800005WP	Side Panel Kit	Right; White; All other models; Includes 801024 Dispenser Plate with hardware
14	31645	Screw	
15	801492	Cabinet Brace	Right
16	501855	Rubber Foot	Use to prevent movement on smooth surface floor coverings; Install over two existing front rubber feet (item 17)
17	34318	Rubber Foot	
18	155P3	Anchor	Includes 4 rubber discs with adhesive backing
	802844P	Anchor Floor Mount Assembly	Includes 2 rubber discs with adhesive backing
19	34319	Leveling Leg	
20	21899	Nut	
21	802245	Base Assembly	
22	801491	Cabinet Brace	Left
23	M412154	Hole Plug	
24	918P3	Brace Kit	Includes items 5, 13 and 20

# Special Tools

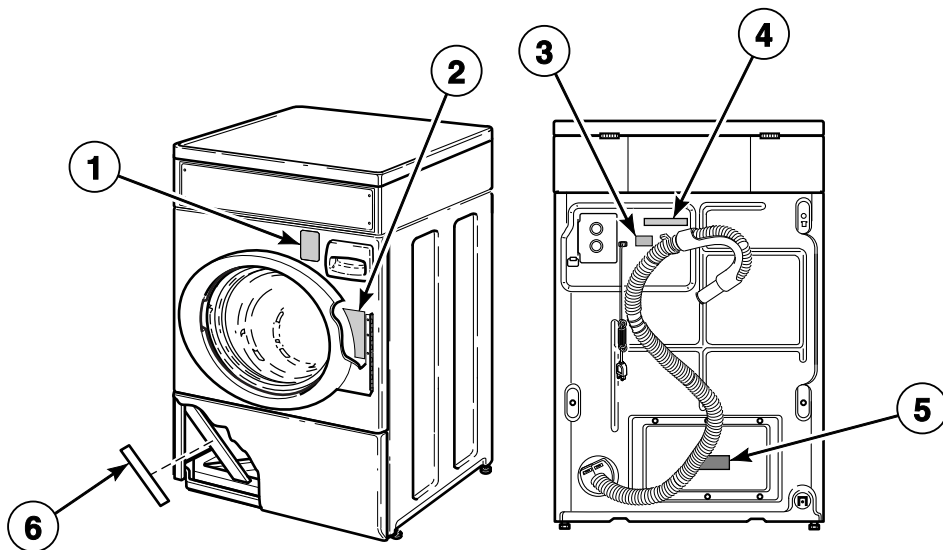


FLW986P\_802849

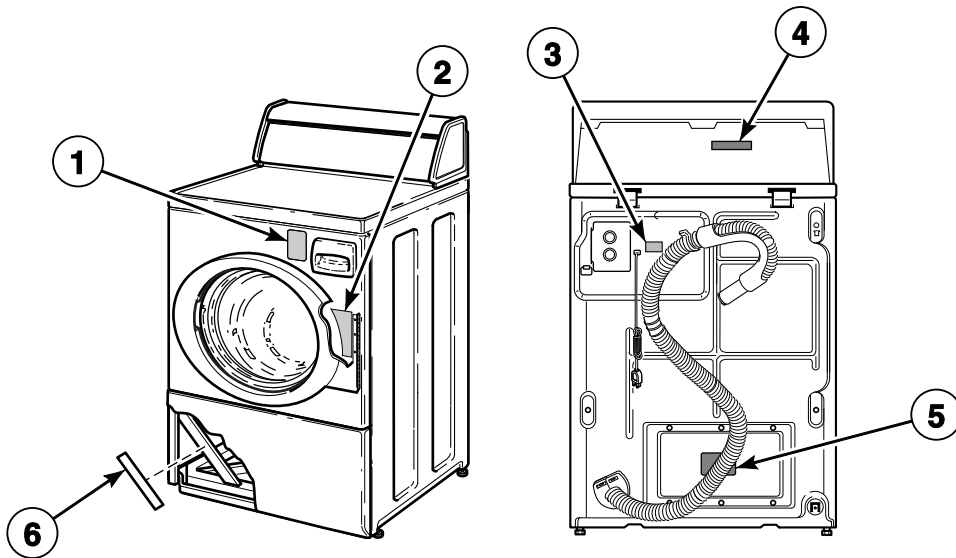
# Special Tools

REF	PART NO.	DESCRIPTION	COMMENTS
1	318P4	Dispenser Drawer Tool	Use to remove dispenser drawer
2	802336	Pulley Bolt Tightening Fixture	Use to install inner basket
3	392P4	Wrench	Use for adjusting leveling leg nuts

# Labels



Front Control Washers



Rear Control Washers

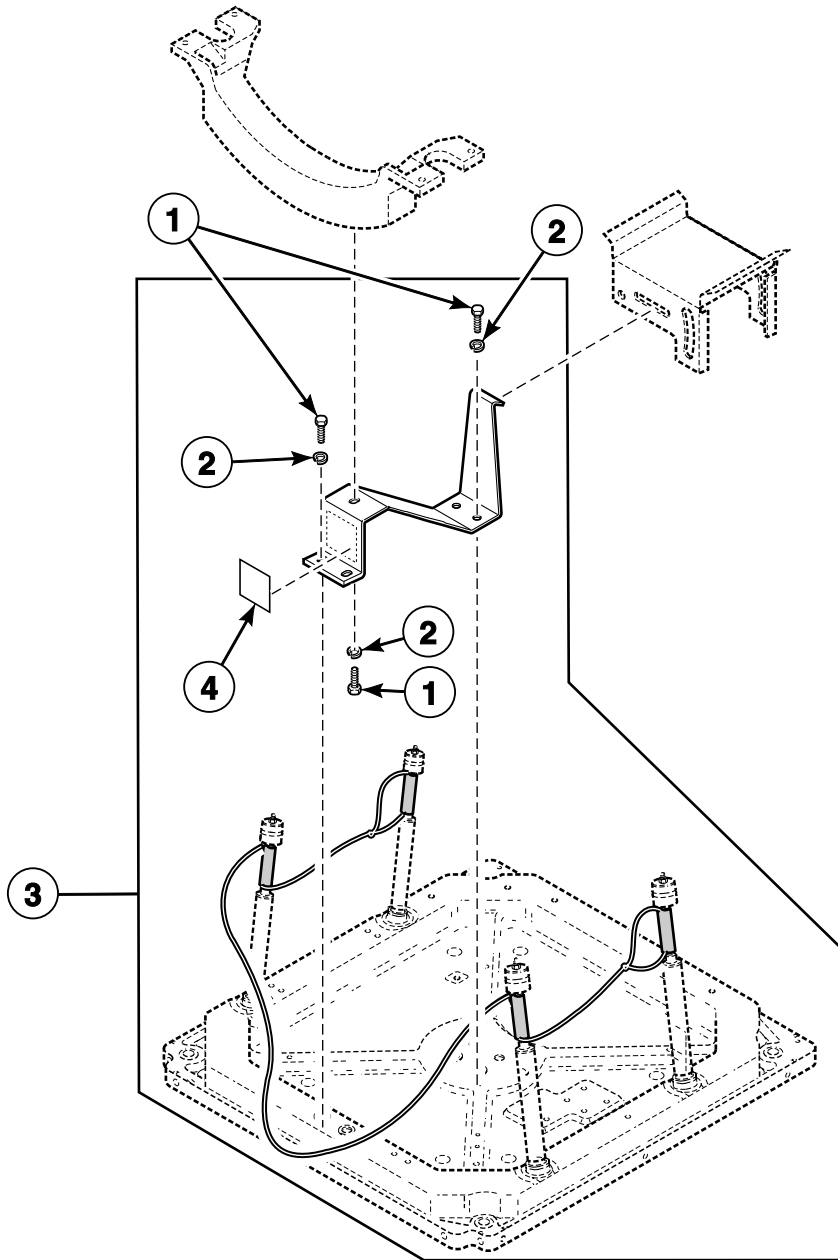
FLW1037P\_802849



# Labels

REF	PART NO.	DESCRIPTION	COMMENTS
1	802074	Oversudsing Label	English
	802838	Oversudsing Label	Spanish
2	802367	Door Locked Warning Label	
3	803260	Warning Label	
4	505281	Disconnect Power Warning Label	
5	500049	Warning Label	
6	803522	Warning Label	

# Shipping Materials

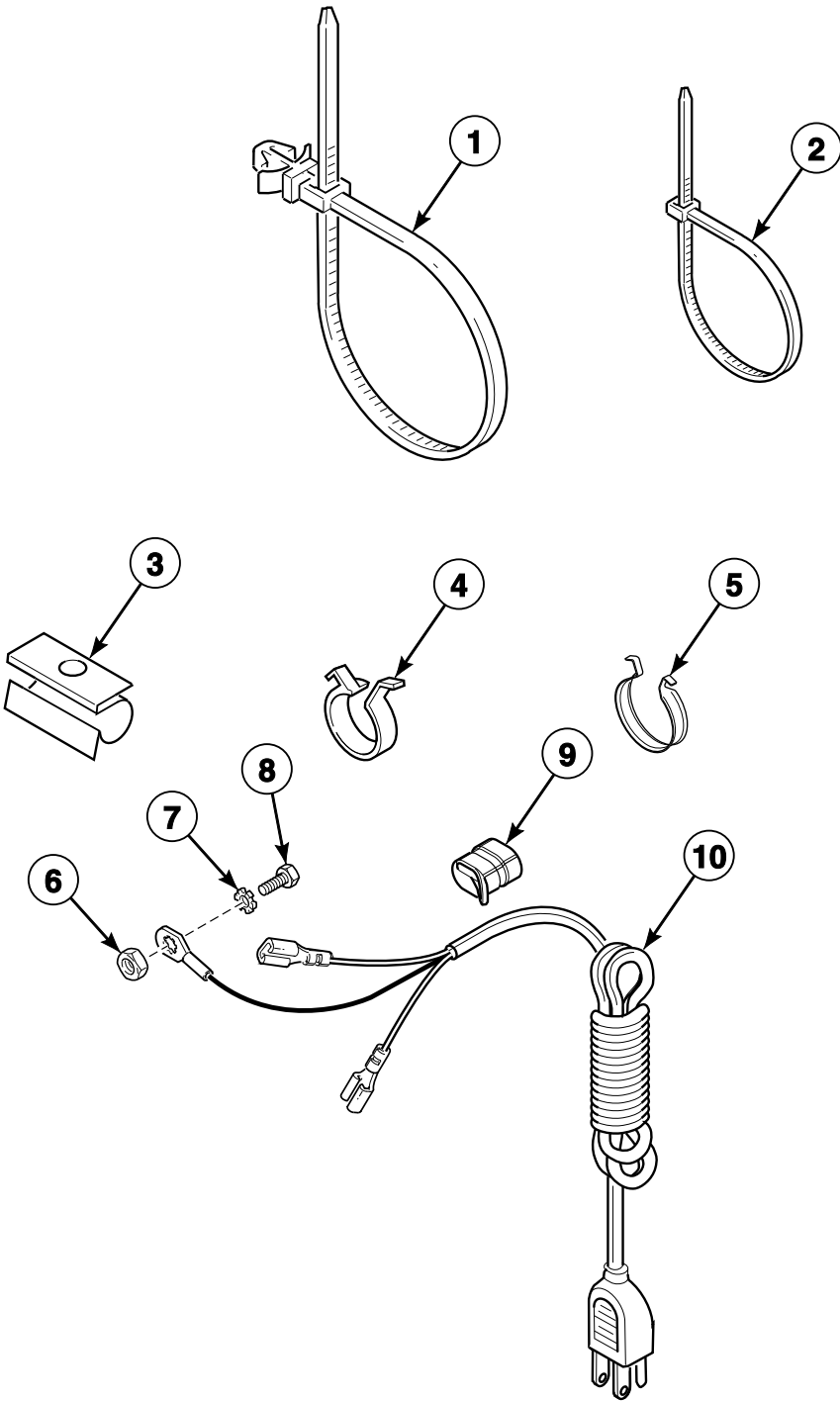


FLW1030P\_802849

# Shipping Materials

REF	PART NO.	DESCRIPTION	COMMENTS
1	M400043	Screw	
2	M400014	Washer	
3	930P3	Shipping Materials Kit	Includes items 1, 2, 4, shipping bracket, and shipping cord and brace assembly
4	686901	Shipping Bracket Label	

# Wire Ties, Harness Clips and Lead-In Cord

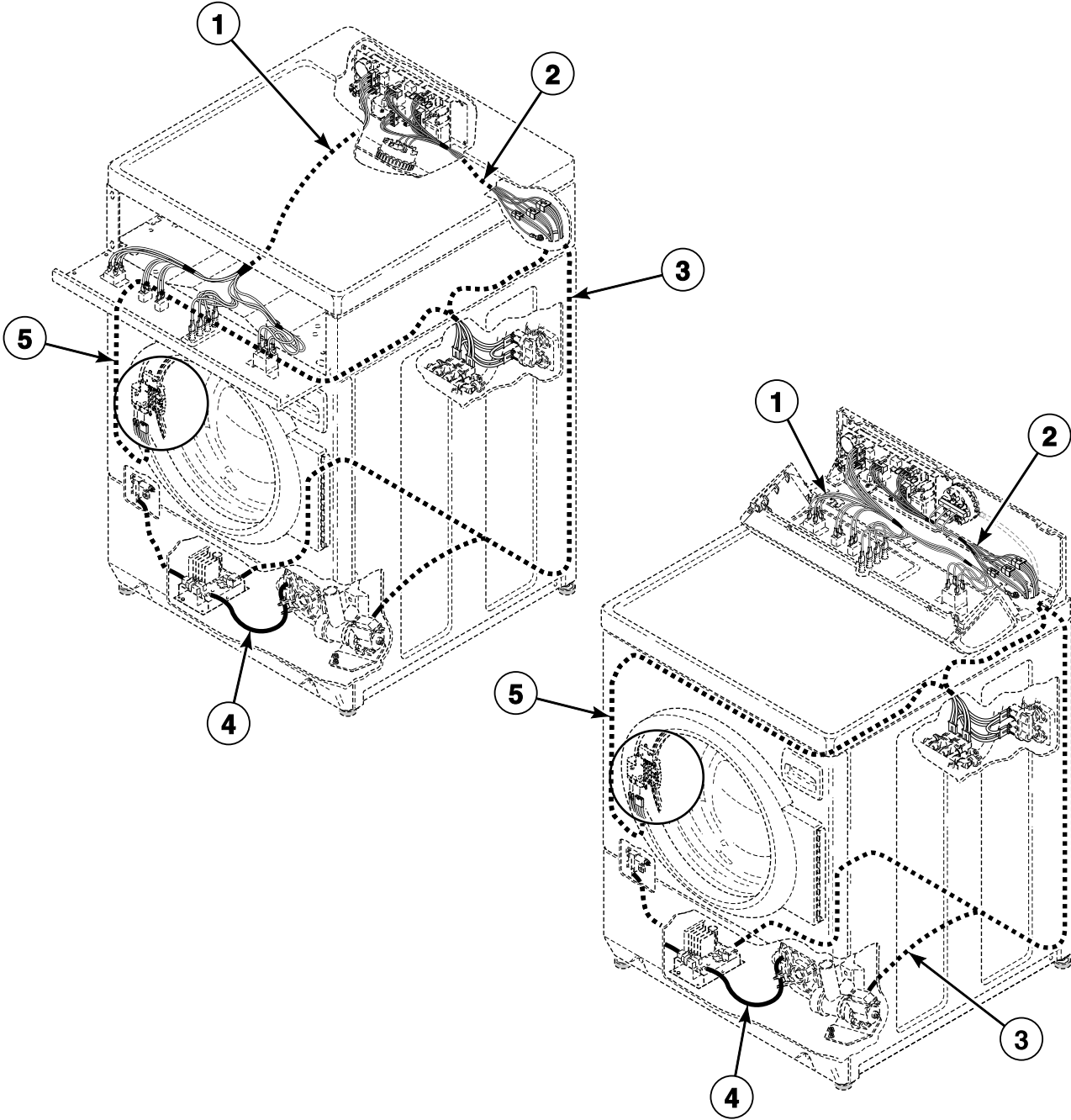


FLW823P\_802849

## Wire Ties, Harness Clips and Lead-In Cord

REF	PART NO.	DESCRIPTION	COMMENTS
1	38663	Wire Tie	
2	55881	Harness Strap	
3	36985	Hose Clip	
4	504034	Wire Clip	Small
5	687500	Wire Clip	Large
6	03673	Nut	
7	03815	Washer	
8	20530	Screw	
9	38384	Strain Relief	
10	34458	Lead-In Cord	

# Wire Harnesses and Wires



FLW1678P\_802849

## Wire Harnesses and Wires

REF	PART NO.	DESCRIPTION	COMMENTS
	45001	18 Gauge Wire	Black; Order wire by foot and terminals as required
	45380	12 Gauge Wire	Orange; Order wire by foot and terminals as required
1	801347P	Hood Harness Assembly	Models AFN50RSP111TW01 and ATSA0AWN
	802052	Control Harness Assembly	Models AFN50FSP111TW01 and CTSA0AWN
	801325P	Harness Assembly	Control panel; Models AFB50RSP111TW01 and ATSA5AWN
	803242P	Control Harness Assembly	Model AFN51FSP111TN01
2	801324P	Control Harness Assembly	Models AFN50FSP111TW01, AFN50RSP111TW01, AFN51FSP111TN01, ATSA0AWN and CTSA0AWN
	801348P	Control Harness Assembly	Models AFB50RSP111TW01 and ATSA5AWN
3	802274P	Motor Harness Assembly	Models through Serial No. 1201004551
	803581	Motor Harness Assembly	Models starting Serial No. 1201004552
4	802894P	Wire Harness Assembly	
5	802351P	Base Harness Assembly	Models ATSA0AWN and CTSA0AWN through Serial No. 0709009264
	802831P	Base Harness Assembly	Models AFN50FSP111TW01, AFN50RSP111TW01 and AFN51FSP111TN01; Models ATSA0AWN and CTSA0AWN starting Serial No. 0709009265
	802348P	Base Harness Assembly	Model ATSA5AWN through Serial No. 0703024952
	802832	Base Harness Assembly	Model AFB50RSP111TW01 through Serial No. 1004018614; Model ATSA5AWN starting Serial No. 0703024953
	803490	Base Harness Assembly	Model AFB50RSP111TW01 starting Serial No. 1004018615

**NOTE: Individual wires are not available separately. Order complete harness, or order wire by the foot. When applying terminals to wires, it is recommended that the terminals be soldered to the wires.**





# Parts Index

## A

Access Pane Assembly 514251 .....	13
Access Panel Assembly 514250W .....	13
Access Panel Damper 685368 .....	13
Anchor 155P3 .....	27
Anchor Floor Mount Assembly 802844P .....	27
Anti-Seize Compound 27604P .....	21

## B

Backflow Preventer 34500 .....	15, 17
800310 .....	25
Badge 803013 .....	7
Ballast Weight 800205 .....	19
Base Assembly 802245 .....	27
Base Harness Assembly 802348P .....	37
802351P .....	37
802831P .....	37
802832 .....	37
803490 .....	37
Base Shock Absorber Kit 802881P .....	19
Bearing Housing Kit 800428P .....	21
Bearing Kit RB160001 .....	21
Bolt 29651 .....	5, 7
Boot Nozzle 802291 .....	13, 15
Brace Kit 918P3 .....	27
Bracket 510146 .....	11
Bumper Pad 36226 .....	27
56128 .....	5, 7

## C

Cabinet Brace 801491 .....	27
801492 .....	27
Cabinet Panel Kit 800004WP .....	27

Cabinet Side Panel 802525P .....	27
802526P .....	27
Cap 801746 .....	15
Clamp Ring 800312 .....	19
Clothes Guard 803537 .....	19
Clothes Guard and Deflector Kit 804560P .....	19
Clothes Guard Deflector 804174P .....	19
804482 .....	19
Control Assembly 802523P .....	5, 7, 9
Control Cabinet 803141 .....	7
803142 .....	7
Control Cabinet Bottom 801777 .....	5, 7
Control Harness Assembly 801324P .....	37
801348P .....	37
802052 .....	37
803242P .....	37
Control Knob Assembly 803099P .....	7
803119P .....	5, 9
Control Panel Assembly 802045W .....	5
803214 .....	7
Control Shield 801061 .....	23
801371 .....	5, 7
Control Support Panel 801388 .....	9
Cycle Switch 801240 .....	5, 7, 9
Cycle Switch Bracket 801390 .....	9

## D

Detergent Cover 800899 .....	15
Disconnect Power Warning Label 505281 .....	11, 31
Dispenser 685756P .....	15
Dispenser Assembly 801476P .....	15
Dispenser Drawer 685757P .....	15
Dispenser Drawer Front 685715WP .....	15
Dispenser Drawer Tool 318P4 .....	29
Dispenser Handle 803204 .....	15

N/A items do not appear in index.

Dispenser Plate 801024 .....	15
Dispenser-to-Door Seal Hose 802256 .....	13, 15
Dispenser-to-Tub Hose 800331 .....	15
Door Assembly 802617WP .....	13
803218P .....	13
Door Catch Assembly 802803 .....	13
Door Glass 802695P .....	13
Door Hinge 802934 .....	13
Door Latch/Switch Assembly 802317P .....	13
Door Locked Warning Label 802367 .....	31
Door Seal Assembly 802866P .....	13, 15
Door Seal Kit 802830P .....	13, 15
Drain Hose 685730 .....	25
Drain Hose Sleeve 33615 .....	25
Drain Kit 985P3 .....	25
Drain Pump 802623P .....	25
Drive Belt 800319P .....	23
Driven Pulley 800866 .....	21

---

## E

End Panel 504008WP .....	9
504009WP .....	9
Expansion Clip 70030501 .....	5, 7
Extension Spring 802285 .....	13

---

## F

Front Panel 802277WP .....	13
802288P .....	13
Fuse 801755 .....	23

---

## G

Gasket 802427 .....	25
Glass Mounting Clip 802700 .....	13

Graphic Overlay 802183 .....	5
802977 .....	5
Graphic Panel 802178W .....	9
802978W .....	9
802979W .....	9
Grommet 29175 .....	19
Grounding Clip 00161 .....	19

---

## H

Hardware Kit 838P3 .....	21
Harness Assembly 801325P .....	37
Harness Strap 55881 .....	13, 15, 35
Heater Harness Assembly 802322P .....	19
803491 .....	19
Heating Element Kit 801306P .....	19
Hinge 511036 .....	5, 7
Hinge Plate 802206 .....	13
Hold-Down Clip 35358 .....	11
Hole Plug M412154 .....	27
Hood Back Panel 801060 .....	11
Hood Harness Assembly 801347P .....	37
Hose Clamp F200204 .....	25
F200206 .....	15
39282 .....	19
685725 .....	15
802164 .....	13, 15, 17
802281 .....	13
802698 .....	13, 15
Hose Clip 36985 .....	5, 7, 19, 35
800553 .....	21
Hose Mounting Plate 800552 .....	21

---

## I

Indicator Light 801356 .....	9
801357 .....	9
Indicator Light Lens 801435 .....	9
Inner Basket Assembly 802365P .....	21
803008P .....	21

N/A items do not appear in index.

Inner Door Bezel Kit	
802307P.....	13
802331P.....	13
Insert	
685716.....	15
Inverter Control Assembly	
803254P.....	23

## J

Jumper Assembly	
801333.....	5
Jumper Harness	
513268.....	23

## K

Knob Assembly	
36701W.....	5, 9
803168P.....	9

## L

Lead-In Cord	
34458.....	35
Left Control Cabinet Side	
800900WP.....	5
Lens	
803294.....	7
Leveling Leg	
34319.....	27
Lid Assembly	
802426P.....	25
Light	
801431.....	5, 7

## M

Mixing Valve	
802220P.....	17
Mixing Valve Plate	
800323.....	17
Mixing Valve Screen	
802926.....	17
Motor Access Hole Edging	
801702.....	27
Motor and Rod Assembly Kit	
801684P.....	23
Motor Harness Assembly	
802274P.....	37
803581.....	37
Motor Mount Rod	
801062.....	23

## N

Nut	
F430218.....	19, 21

03673.....	35
21899.....	27
23951.....	13
36020.....	7, 13
44087201.....	5, 7
685844.....	21
685846.....	13
800452.....	19, 21
802292.....	13, 15
802343.....	19

## O

O-Ring	
802429P.....	25
Outer Bezel Assembly	
802616WP.....	13
803219.....	13
Outer Tub Assembly	
801081P.....	19
801291.....	19
Out-of-Balance Switch Assembly	
801006.....	19
803415.....	19
Oversudsing Label	
802074.....	31
802838.....	31

## P

Panel	
803067.....	7
Panel Locator	
56079.....	13, 27
Pop Rivet	
685847.....	5, 7, 21
70058501.....	11
Porcelain Touch-Up Paint	
122P4P.....	27
Pressure Bulb	
30907.....	19
Pressure Switch	
802299P.....	5, 7, 9
Pulley Bolt Tightening Fixture	
802336.....	29
Pump Housing	
802428.....	25
Pump Housing Assembly	
802434P.....	25
Pump Mount Bracket	
802626.....	25
Push-to-Start Switch	
801434W.....	5, 9

## R

Rear Access Panel	
800011.....	27
Rear Control Cabinet	
801058.....	5, 7

N/A items do not appear in index.

Rear Panel	
800010 .....	27
Retainer Clip	
36014 .....	25
Retaining Ring	
23748 .....	23
Right Control Cabinet Side	
800915W .....	5
Rocker Switch	
38424W .....	5, 9
Rubber Foot	
34318 .....	27
501855 .....	27

## S

Screw	
F430956 .....	7
M400043 .....	21, 33
M400057 .....	23
M405188 .....	7
20530 .....	35
23008 .....	7
31645 .....	27
39733 .....	13, 27
430497 .....	27
501086 .....	5, 7, 9, 11, 17
501524 .....	5, 7, 23
503661 .....	5, 7, 11, 13, 17, 19, 23, 25, 27
503688 .....	5, 7
512921 .....	13, 27
685831 .....	21
685837 .....	9
70240301 .....	5, 7
800461 .....	19
800462 .....	19, 21
800548 .....	13, 15
800930 .....	5
801001 .....	15
801019 .....	13
801045 .....	13
801993 .....	13
802430 .....	25
802431 .....	25
802596 .....	19
Screw Label	
685928 .....	27
Sealant	
27615P .....	25
Selector Switch	
803568 .....	7
Shipping Bracket Label	
686901 .....	33
Shipping Materials Kit	
930P3 .....	33
Side Panel	
800004G .....	27
800005G .....	27
Side Panel Kit	
800005WP .....	27
Snap Bushing	
M402542 .....	5, 7
Standpipe Strap	
33489 .....	25

Sticker	
201495 .....	13
Strain Relief	
32219 .....	25
38384 .....	35
Switch Mounting Bracket	
800663 .....	19
803388 .....	19

## T

Temperature Switch	
35117 .....	9
687542 .....	5, 7, 9
Temperature Switch Bracket	
800669 .....	9
Tension Rod Assembly	
800666 .....	21
Thermistor	
803256 .....	19
Timer Knob Assembly	
512117W .....	5, 9
803098P .....	7
803118P .....	5
Top and Gusset Assembly	
802247WP .....	5
Top Cover	
505808W .....	9
Top Hinge	
510136 .....	27
Top Kit	
803144P .....	7
Top Mounting Bracket	
504228 .....	5, 7
Top Panel Kit	
510029WP .....	11
Transformer	
210018P .....	5, 7, 11
Trunnion Shaft and Hardware Kit	
800749P .....	21
Tub Front Assembly	
802258 .....	19
802259 .....	19
803493 .....	19
Tub Front Seal	
800432P .....	19, 21
Tub Shock Absorber Kit	
800622P .....	19
Tubing	
29214 .....	19
800648P .....	19
Tub-to-Pump Hose	
800317 .....	25
Twist-to-Start Switch	
803569 .....	7

## V

Valve Kit	
685766P .....	15
Valve-to-Dispenser Inlet Hose	
801464 .....	15, 17

N/A items do not appear in index.

---

## W

Warning Label	
500049 .....	19, 31
803260 .....	31
803522 .....	31
Washer	
M400014 .....	33
M400080 .....	23
M400081 .....	19
M403958 .....	21
02834 .....	23
03815 .....	35
20290 .....	17
52549 .....	23
800457 .....	19, 21
800464 .....	21
802254 .....	17
802293 .....	13, 15
803615 .....	17
Water Hose	
F200116 .....	17
Wire Clamp	
800811 .....	19
Wire Clamp Ring	
802283 .....	13
Wire Clip	
504034 .....	35
687500 .....	13, 15, 35
Wire Harness Assembly	
802894P .....	37
Wire Tie	
38663 .....	35
Wire, 12 Gauge	
45380 .....	37
Wire, 18 Gauge	
45001 .....	37
Wrench	
392P4 .....	29

---

