

AF210791
200 series visor hood
Stainless steel frame
Width 35 3/8" (90 cm)
Air extraction / recirculation

Unobtrusive hood design thanks to integrated glass panel in the steam screen
Especially quiet operation thanks to integrated sound insulation
Steam screen extends by touching the handle bar
Especially high air output
Dimmable, warm white LED light for ideal illumination of the entire cooktop
A patented lowering frame accessory allows the visor hood to completely disappear behind the upper cabinet
Air extraction or recirculation system
Recirculation kit with activated charcoal filters: quiet and highly efficient recirculation solution with odor reduction as in air extraction mode, and long replacement intervals

Output
 500 CFM.
 Odour reduction air recirculation 94 %.

Features
 Controls at front.
 Three electronically controlled power levels and an intensive mode.
 Grease filter saturation indication by flashing light
 Stainless steel grease filter, dishwasher-safe.
 Neutral white LED light (3600 K), continuously dimmable.
 Illuminance 708 lx.
 Light can be switched on separately.
 Integrated sound insulation for quiet operation.
 The blower is activated when the steam screen is extended.
 Patented technology for extension of the steam screen.
 Steam screen extends out up to 7 13/16".
 Airflow-optimised interior for efficient air circulation and ease of cleaning.
 Patented easy mounting system for simple installation.
 The package includes an one-way flap.

Planning notes
 Patented air recirculation module with activated charcoal filter can be installed in the upper cabinet. The activated carbon filter can be changed from the front by simply pulling out the activated charcoal filter.
 The door of the upper cabinet must be fully accessible in order to change the activated charcoal filter.
 To be installed in an upper cabinet without base.
 The required cavity depth of the upper cabinet together with the lowering frame measures 13 3/16".
 The required cavity height of the upper cabinet together with the lowering frame measures 23 5/8".
 Minimum clearance above gas cooktops 28".
 Minimum clearance above electric cooktops 18".
 When installing a ventilation hood with air extraction mode and a chimney-vented fireplace, the hood's power supply line needs a suitable safety switch.

Rating
 Total rating: 430 W.
 Total amps: 10 A.
 120 V / 60 Hz.

Product Features
Operating Mode
 Convertable: Ducted / Recirculating
Number of speed settings
Delay Shut off modes
 3/5/10
Silence level (dBA)
Required accessories
Optional accessories
 AA210110, AA211812
Number of lights
 2
Type of lamps used
 LED
Total power of the lamps (W)
 10
Grease filter material
 Washable stainless steel
Grease filter type
 Multilayer cassette
Clean filter reminders

Consumption and connection features
UPC code
 825225927495
Material
 Stainless steel
Watts (W)
 430
Current (A)
 10
Volts (V)
 120
Frequency (Hz)
 60
Approval certificates
 CSA, ETL, UL
Power Cord Length
 35,4
Plug type
 120V-3 prong
Overall appliance dimensions (HxWxD) (in)
 14 7/8" / 14 7/8" x 35 3/8" x
Product packaging dimensions (HxWxD) (in)
 15.74 x 37.00 x 18.89
Height of the chimney (in)
Vertical rise height
Required distance above cooktop/ ranges
 17/26
Net weight (lbs)
 39
Gross weight (lbs)
 45
Adjustable feet
Motor location
 Integrated motor in hood body
Maximum CFM
Diameter of air duct (in) top
Diameter of air duct (in) back
Discharge direction
 vertical
No-return airflow flap
 Yes
2017-11-28
Page 1

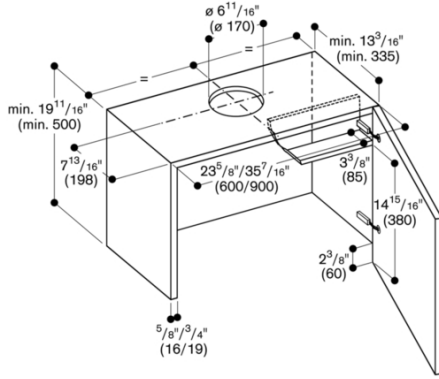
Connecting cable 35,4" with plug.

Color Variants
AF210791
Stainless steel frame
Width 35 3/8" (90 cm)

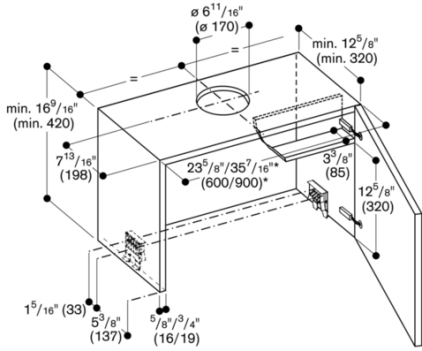
Optional accessories
AA210110
1 activated charcoal filter with high efficient odor reduction due to increased surface. For air recirculation module AA 210 812.

Installation Accessories
AA210490
Lowering frame for 36" visor hood
AA210491
Mounting set for 36" upper cabinet

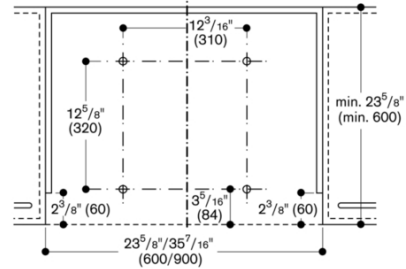
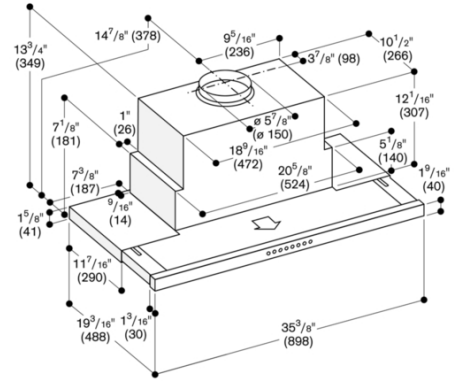
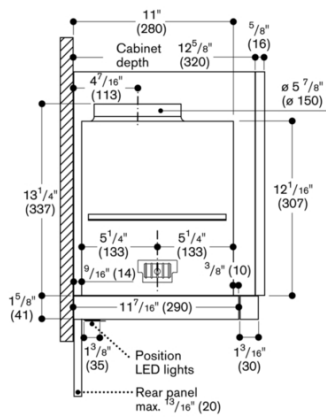
Top cabinet for AF 210
 with lowering frame AA 210 460/AA 210 490



Top cabinet for AF 210

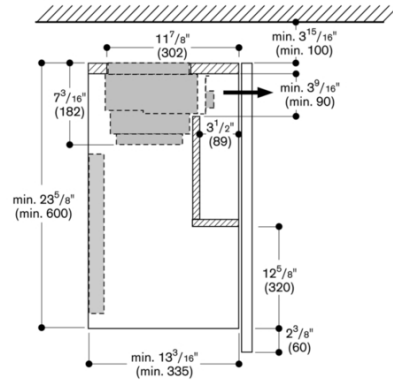


* for a 35 7/16" (90 cm) top cabinet the installation set AA 210 491 is also required



Install directly on the kitchen wall

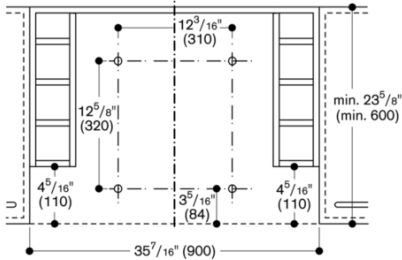
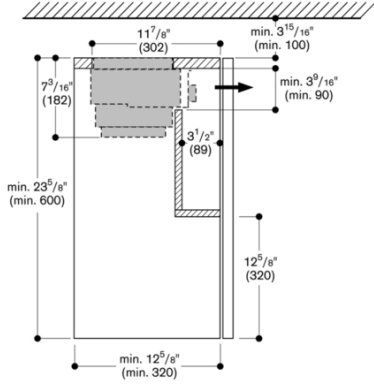
Cross-section top cabinet with AA 211 812 and lowering frame AA 210 490/460



AF210791
 200 series visor hood
 Stainless steel frame
 Width 35 3/8" (90 cm)
 Air extraction / recirculation

2017-11-28
 Page 3

Cross-section top cabinet with AA 211 812



Furniture with lateral shelves
 Install directly on the kitchen wall