

RANGE MODELS: ER36D and ER48D

dacor
The Life of the Kitchen.®

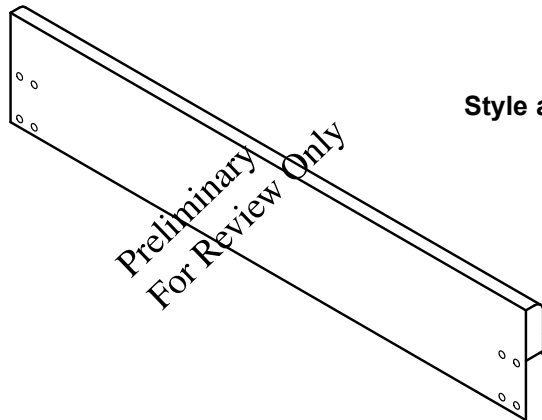
Backguard Kits
PN AERB36/48 -D3 -D9

INSTALLATION
INSTRUCTIONS



DANGER:

Electric shock and explosion hazard! Before installation, disconnect power at the circuit breaker or fuse box and turn off the gas supply valve.



Style and size varies with kit

Instructions:

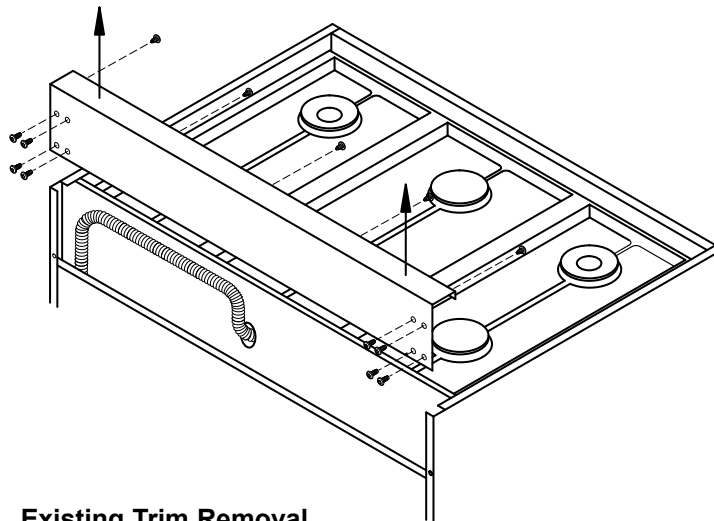
STEP 1: Make sure you have access to the back of the range so that you can tighten the screws into place.

STEP 2: Disconnect power to the range at the junction or fuse box.

STEP 3: Turn off the gas at the gas supply valve.

⚠ WARNING: Do not disassemble the range until it has cooled.

STEP 4: Remove the screws on the front and back of the existing trim. Slide the trim off the unit.



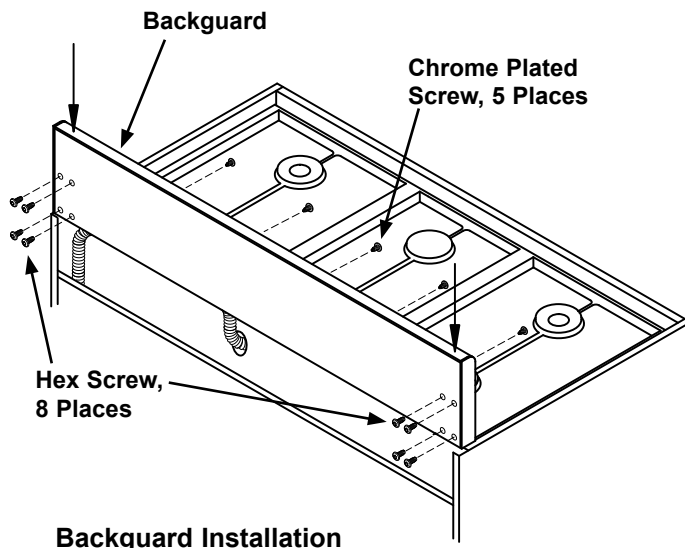
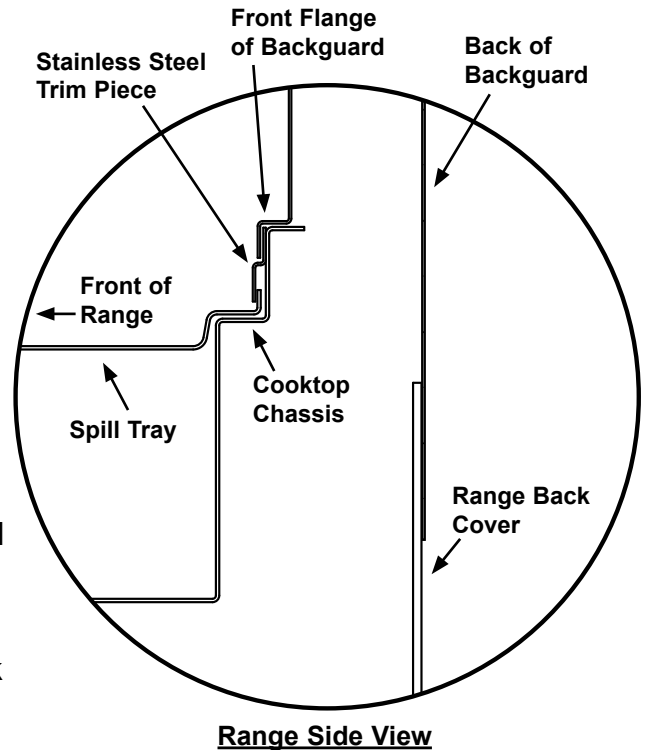
Existing Trim Removal

STEP 5: Remove the backguard from the box.

STEP 6: To avoid scratches, place small scraps of thin cardboard on the rear of the side panels where the backguard piece will make contact. Place the new piece over the back of the range. Give special attention to the front flange of the backguard, which must fit between the stainless steel side panels and over the top of the existing stainless steel trim piece.

STEP 7: Fasten the backguard and the stainless steel trim piece in place with the five (5) existing chrome plated screws.

STEP 8: Secure the rear of the backguard to the back of the range with the eight (8) existing hex screws.



STEP 9: Position the range in the cabinet and turn on the gas at the gas supply valve. Turn on power to the range at the junction or fuse box.

dacor
The Life of the Kitchen.®