

Cooktop and Range Models: DR30D, DRT304S, DYRP36DS, DYRP48DS, DYRTP366, DYRTP486, EG366, EG486, ER30D, ER30DSR, ER30G, ER30GI, ER36D and ER48D



Grill Models: AEGR30, AEGR36, AEGR3648, AGDRT14 and AGRG14

INSTRUCTIONS

- ⚠ WARNING:** Do not touch the grill when hot.
- ⚠ WARNING:** Do not use water on grease fires. A violent steam explosion may result. Smother any flames with a lid, cookie sheet or flat tray. Use baking soda or a foam extinguisher to extinguish flaming grease. Be careful to avoid getting burned.
- ⚠ WARNING:** Non-stick coatings, when heated, can be harmful to birds. Remove birds to a separate, well-ventilated room during cooking.
- ⚠ CAUTION:** Place the grill only in the position shown in these instructions. Setting the burner flames higher than the **MAX GRIDDLE** level or putting the grill in the wrong position may damage it permanently. Some appliances do not come with knobs marked with the **MAX GRIDDLE** setting. The grill kit for these appliances comes with **MAX GRIDDLE** knobs. Install them prior to use.

Knob Installation - Cooktop/Range Models DR30D, DRT304S, ER30G and ER30GI Only

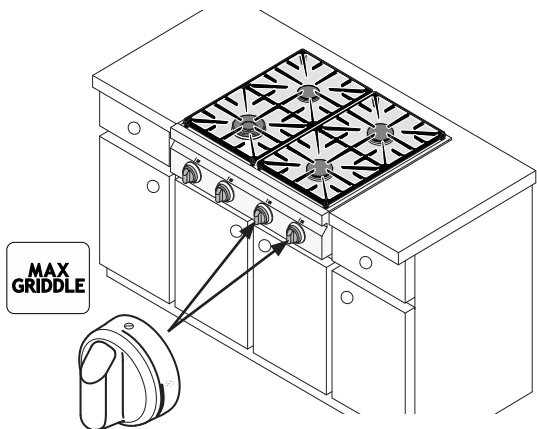
Grills for the above listed cooktops/ranges come with knobs with the words **MAX GRIDDLE** on them. Install them before using the grill to prevent damage. All other models come with the **MAX GRIDDLE** knobs already installed.

STEP 1 Remove the existing two knobs on the right side of the control panel. Grasp each one and pull straight back. Leave the other two knobs in place. **NOTE:** If you have difficulty removing any knobs, a rubber grip (strip) is included with the kit. To use, peel the protective backing off of the rubber strip and wrap the adhesive side around the knob as shown. The grip can be peeled off and reapplied to the other knobs.

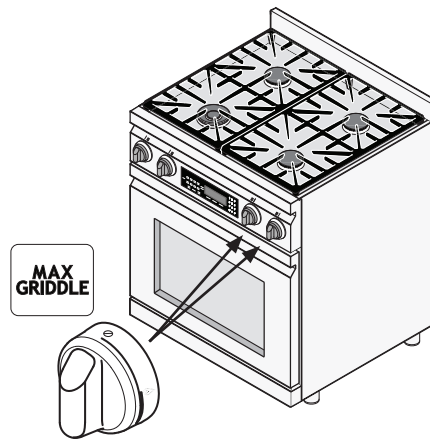


Knob Grip Installation

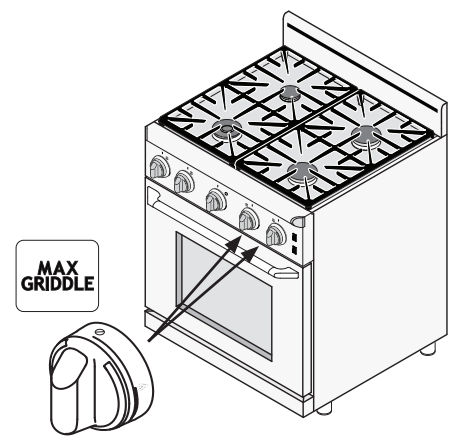
STEP 2 Put the new knobs from the kit, with the words **MAX GRIDDLE** on them, on the valve shafts in place of the knobs removed in step 1. When installing the knobs, align the "D-shaped" opening on the back of the knob with the end of the valve shaft. Carefully push in on each knob until it stops. The old knobs may be discarded.



DRT304 Cooktop



DR30D Range

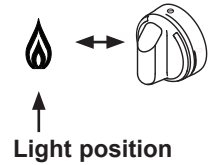


ER30G[I] Range

Grill Placement and Use

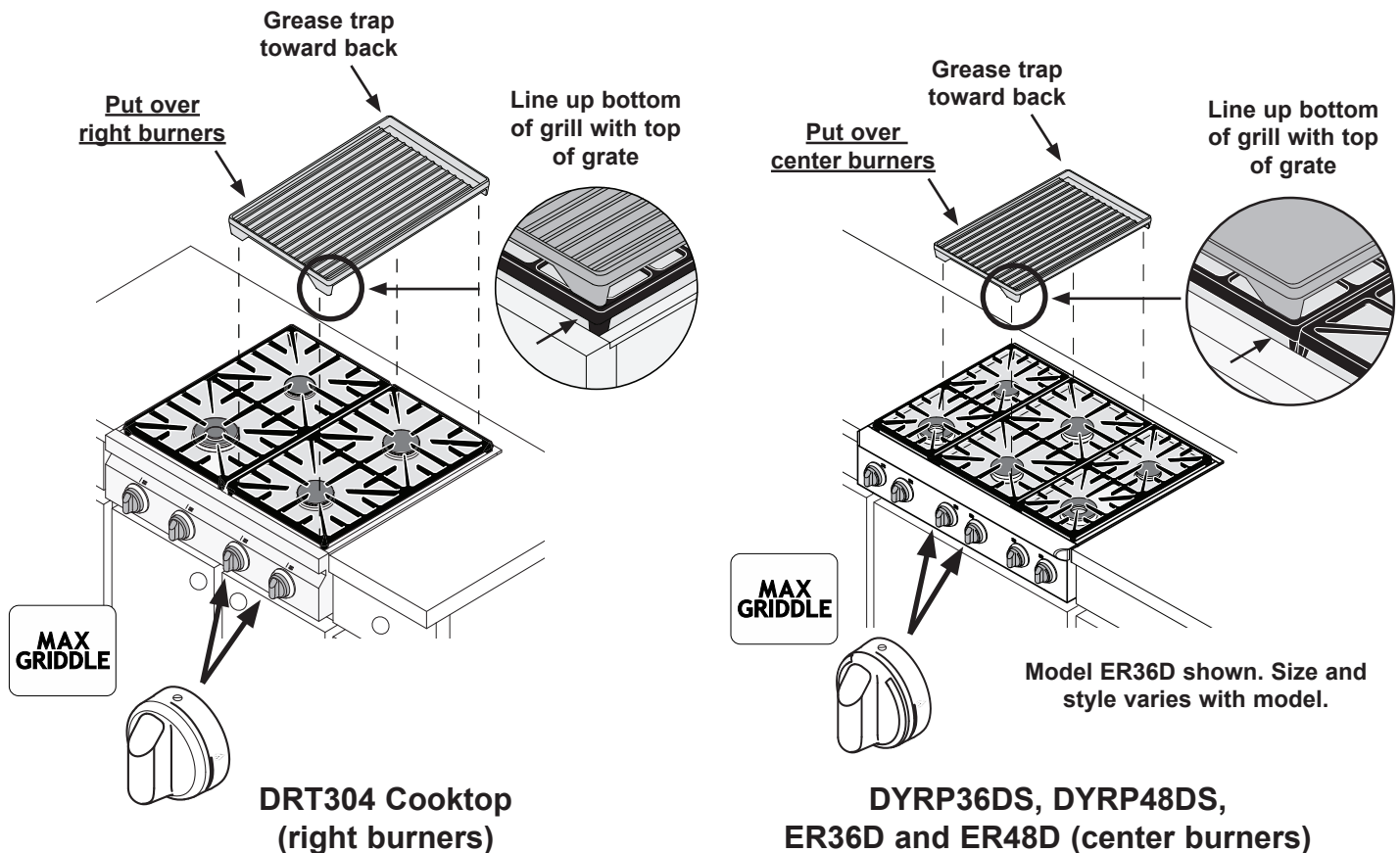
Instructions

- STEP 1** Before using the grill for the first time, wash it in hot soapy water. Rinse it and allow it to dry thoroughly.
- STEP 2** Make sure all burners are off and the cooktop or range is cool to the touch. Put the grill over the top of the grates on the cooktop or range. The correct position varies with the cooktop or range model number. To prevent damage to the grill, see the diagrams below and on the facing page to determine the correct position according to model number. When putting the grill in place make sure the grease trap is toward the back. Fit the tabs that stick out of the bottom of the feet into the inside corners of the grate. When correctly installed, the grill will rest securely about 1/2" above the top surface of the grate. It may rock back and forth slightly, which is normal.
- STEP 3** Set one of the burners under the grill to the light (high) position. Once lit, turn the knob to the **MAX GRIDDLE** position, or lower if desired. **DO NOT** keep the burner knobs higher than the **MAX GRIDDLE** setting after they are lit!
- STEP 4** Repeat step 3 for the other burner under the grill.
- STEP 5** During cooking be careful with metal utensils on the surface because they can scratch the non-stick coating.

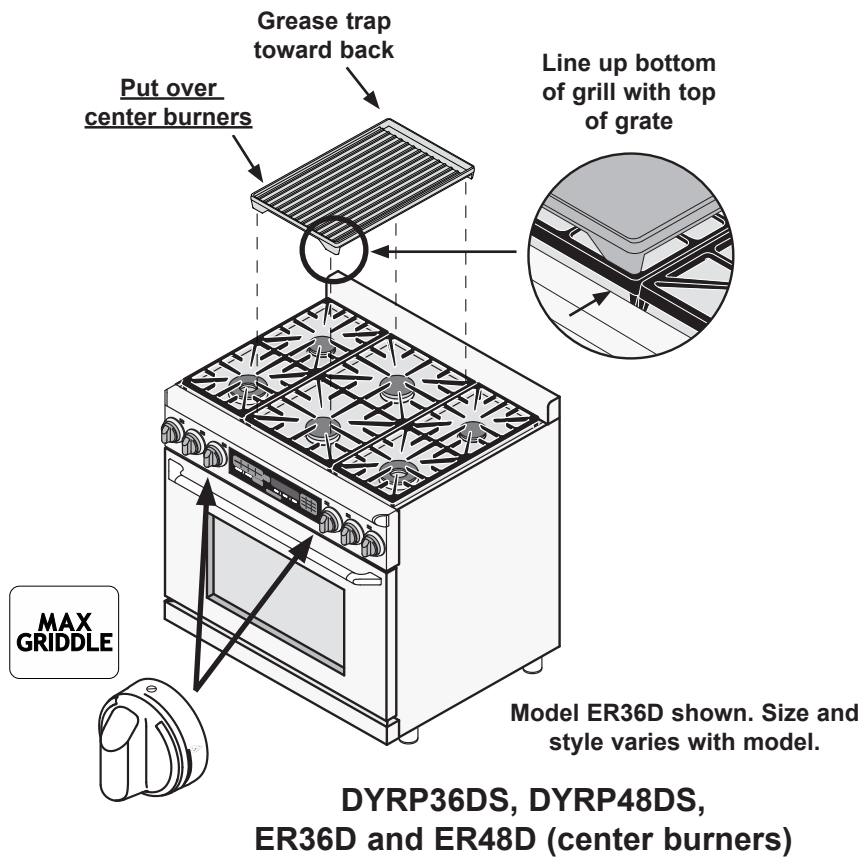
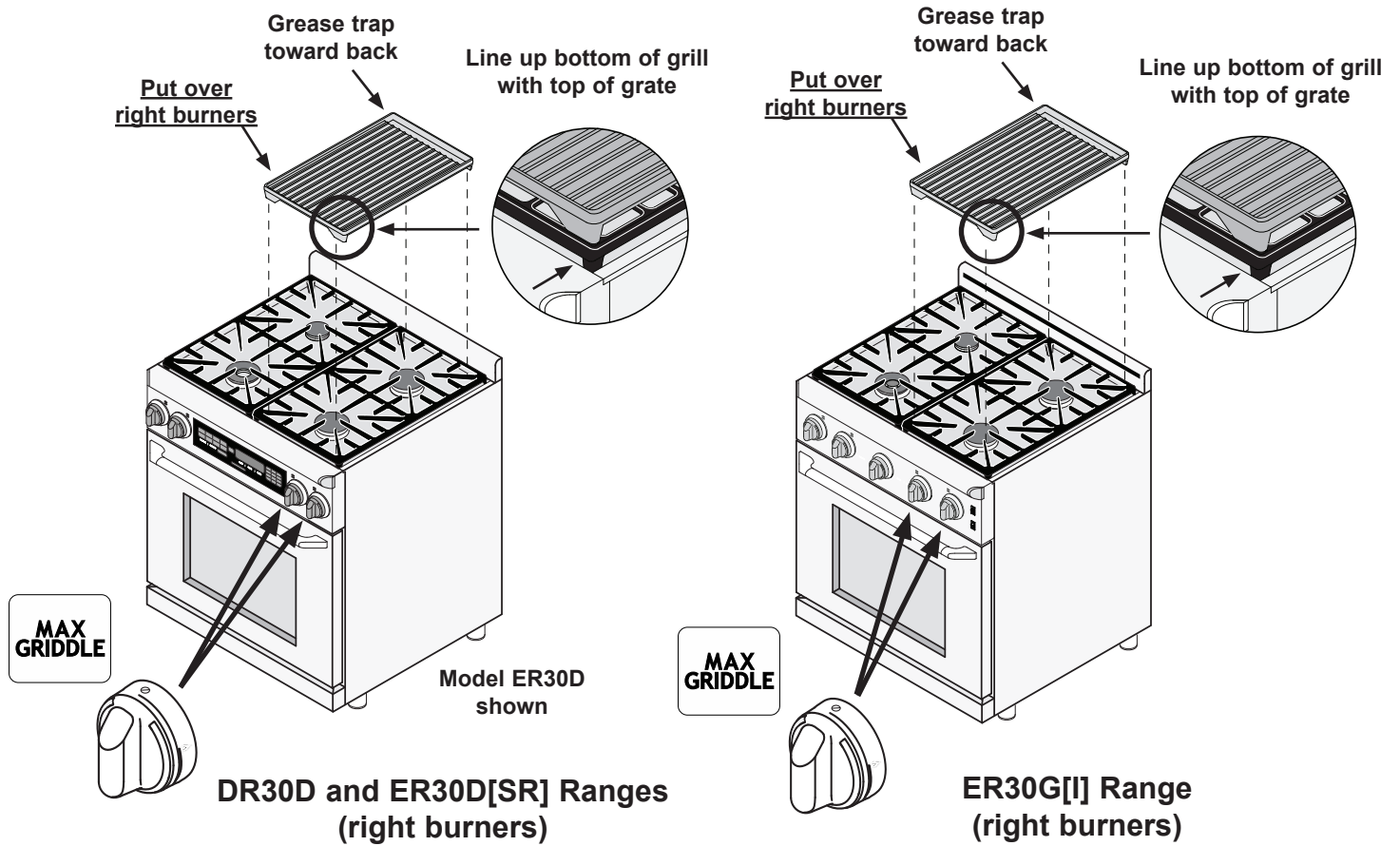


Cleaning the Grill

After each use, wash the grill thoroughly in hot soapy water to avoid stains from grease build-up. The grill is coated with a non-stick coating for easy cleaning. Warm water and liquid detergent are all that are needed for cleaning. Remove stubborn spots with a non-abrasive plastic mesh pad. To prevent scratching, do not use abrasives or abrasive cleaners.



Grill Placement and Use



dacor[®]

The Life of the Kitchen.[®]