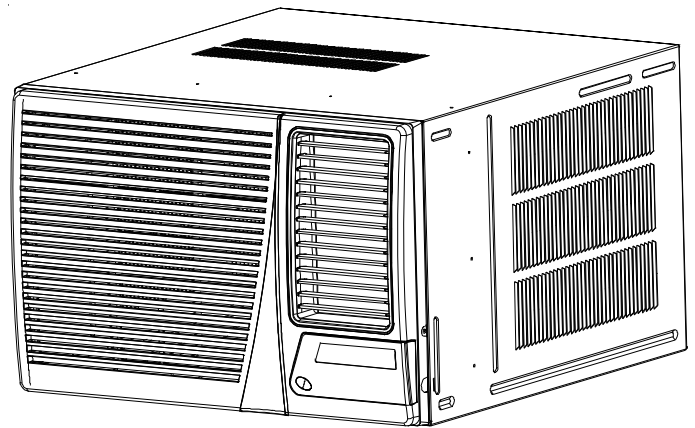


Contents

Introduction	1
Safety Information	1
Unpacking	2
Electrical Requirements	2
Installation	3
Room Heat Pumps	3
Normal Care & Maintenance	3
General Instructions	5
Installation Instructions	6
Through-The-Wall Installation Instructions	12
Operating Controls	15
Before Calling Service	17
When Service Is Required	18
Any Questions?	18
Warranty	20

Heating & Air Conditioning
Amana[®]

Room Air Conditioner & Heat Pump Use and Care Manual



Introduction

Room air conditioners cool, dehumidify, and filter air inside your home. Heat pump and electric heat models offer both heating and cooling. Opening sections of manual provide general information for all room air conditioner models. *Operating Controls* section describes operation of controls for each model. After reading the opening sections, turn to *Operating Controls* section and find the panel layout that matches the model of your unit.

Read entire manual thoroughly before beginning installation and operation of your new room air conditioner. Be sure you have all necessary tools and materials on hand for the job. Study illustrations to familiarize yourself with important details of the installation process. Review manual for operating instructions.

NOTE

1. Mechanical experience is required to install air conditioner.
2. Installation can take from 1 to 3 hours, depending on installer's knowledge and skill.
3. If you encounter problems during installation, call our consumer information line toll-free at 1-877-376-0214. If your problem cannot be resolved by phone, contact an authorized Amana[®] brand servicer. Contact and service will be at your expense.

Safety Information

Be sure electrical service is adequate for chosen model of air conditioner. Complete electrical rating for unit is found on serial plate located behind front grille. Electrical outlet must be close enough to unit for power cord to reach without strain. Air conditioner should be the only appliance on individual circuit.

For personal safety and to avoid possible damage to appliance or home, observe all safety instructions highlighted by symbol shown below.



**RECOGNIZE THIS SYMBOL AS A
 SAFETY PRECAUTION.**

After installing unit, reread instructions to ensure each step is complete and that all parts are fastened in place. For best results and to minimize installation time, perform all procedures in the order shown.



WARNING

HIGH VOLTAGE
 Disconnect ALL power before servicing or installing this unit. Multiple power sources may be present. Failure to do so may cause property damage, personal injury or death due to electrical shock.



 **WARNING**

Goodman will not be responsible for any injury or property damage arising from improper service or service procedures. If you install or perform service on this unit, you assume responsibility for any personal injury or property damage which may result. Many jurisdictions require a license to install or service heating and air conditioning equipment.

 **WARNING**

To prevent heat related illness or death, do not use this device for unattended cooling of persons or animals unable to react to product failure. Failure of unattended air conditioner may result in extreme heat in area intended for cooling, causing heat-related illness or death of persons or animals.

 **WARNING**

HIGH TEMPERATURE STRESS HAZARD

This room air conditioner is not meant to provide unattended cooling or life support for persons or animals that are unable to react to failure of the product.

The failure of an unattended air conditioner may result in extreme heat in the conditioned space causing overheating or death of persons or animals.

Precautions must be taken to ward off or guard against such an occurrence.

Unpacking

Unpack and visually inspect the unit. Report any damage to the delivering carrier immediately. Remove and discard all packing material.

 **WARNING**

Do NOT operate unit with shipping foam blocks in place. Always remove prior to running unit.

On some models the air conditioner front and/or mounting kit hardware may be packed separately.

Record the model, serial and manufacturing numbers of your unit in the space provided below. This information is found on a nameplate visible after the front of the air conditioner has been removed. The rated voltage, amperage and capacity for your specific model can also be found on this nameplate. Read the warranty packaged with the unit. Keep the warranty and a copy of your sales receipt for future reference. You may also want to record in the space provided the date purchased and the selling dealer.

OWNER'S PRODUCT IDENTIFICATION

MODEL NUMBER

SERIAL NUMBER

MANUFACTURING NUMBER

Owner's Name

Address

City State Zip

Date of Purchase

Authorized Dealer

Address

City State Zip

Phone Number

 **WARNING**


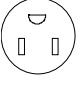






To avoid death, personal injury or property damage due to electrical shock:

- Observe all local codes and ordinances.
- Disconnect electrical power to unit before servicing.
- Ground appliance properly.
- Check with a qualified electrician if you are not sure this appliance is properly grounded.
- DO NOT ground to gas line.
- DO NOT ground to cold water pipe if pipe is interrupted by plastic, non-metallic gaskets, or other insulating (non-conducting) materials.
- DO NOT modify plug on power cord. If plug does not fit electrical outlet, have proper outlet installed by qualified electrician.
- DO NOT have a fuse in the neutral or ground circuit. A fuse in the neutral or ground circuit could result in an electrical shock.
- DO NOT use an extension cord with this appliance.
- DO NOT use an adapter plug with this appliance.
- DO NOT pinch power cord.
- DO NOT REMOVE warning tag from power cord.

Electrical Requirements

Grounding Instructions

This appliance is equipped with a three-prong grounding plug for protection against possible shock hazards. If a two-prong

Unit Plug Type	Receptacle Required	Circuit Rating, Breaker, Time Delay Fuse	Voltage Rating On Nameplate
NEMA No. 5-15P 	NEMA No. 5-15R 	125V-15AMP	115V
NEMA No. 6-15P 	NEMA No. 6-15R 	250V-15AMP	230/208V rated at 12 amperes or less
NEMA No. 6-20P 	NEMA No. 6-20R 	250V-20AMP	230/208V rated over 12 amperes, but not more than 16 amperes
NEMA No. 6-30P 	NEMA No. 6-30R 	250V-30AMP	208V rated over 16 amperes, but not more than 24 amperes

wall receptacle is encountered, the customer is required to contact a qualified electrician and have the two-prong wall receptacle replaced with a properly grounded three-prong wall receptacle in accordance with the National Electrical Code.

Room air conditioners are designed to operate according to requirements on the nameplate and as shown in Table 1. Fuse or circuit breaker ratings must be according to the fuse instruction label and as shown in Table 1. Do not plug models marked "Use on Single Outlet Circuit Only" into a circuit with another appliance or light fixture.

Receptacle Wiring

Receptacle wiring must be of adequate size for unit. Refer to unit identification plate for exact power requirements. Minimum size of wiring, based on power requirements, is:

Units up to 20 amps: 12 gauge
20–30 amp units: 10 gauge

Use copper wire only. Consumer's responsibility is to provide proper and adequate receptacle wiring that conforms to all applicable codes. All wiring should be installed by qualified electrician.

LCFI or AFCI Power Cords

Underwriters Laboratories (UL) and the National Electric Code (NEC) now require power cords that sense current leakage and can open the electrical circuit to the unit. In the event, the unit does not operate, check the reset button located on or near the head of the power cord as part of the normal troubleshooting procedure.

Installation

Complete step-by-step installation instructions are furnished with your unit. These instructions will be found on a separate page included with this manual or in the mounting kit assembly. Follow these instructions carefully. Keep these instructions with this manual for future reference. Your unit will be one of the following designs:

- *Unit with a window mounting kit*

These models are designed for mounting through an opening in a wall. These units can be adapted to window installation by using the optional window mounting kit supplied with your unit.

- *Unit without a window mounting kit*


No window mounting kit is supplied with the unit. These models are designed for mounting through an opening in a wall. These units can be adapted to window installation by purchasing an optional window mounting kit. Consult your dealer to choose the kit that is appropriate for your model and installation.

Room Heat Pumps


Heat pumps work by moving heat instead of creating it. In the summer, the cool indoor coil absorbs heat from your room and moves it outdoors, providing cooling. In the winter, heat pumps reverse this operation. By lowering the temperature of the outdoor coil below the outdoor temperature, the heat pump absorbs the heat from outdoors and moves it inside your house. This heat transferring process is very efficient. For example, at 45°F outdoor temperature, a heat pump can provide 2 ½ watts of heat for every watt of electricity it consumes.


As outdoor temperatures drop, the heating capacity and efficiency of the heat pump declines. At temperatures below 45°F, it is likely that ice will form on the outdoor coil. Heat pump units are designed to operate as a heat pump above approximately 40°F. Below 40°F, these units switch automatically from reverse cycle heat pump to auxiliary electric heating. No defrost is required. There is no minimum operating temperature.

Normal Care and Maintenance

 **WARNING**

HIGH VOLTAGE
Disconnect ALL power before servicing or installing this unit. Multiple power sources may be present. Failure to do so may cause property damage, personal injury or death due to electrical shock.



 **CAUTION**

Installing an air conditioner through a wall requires extensive carpentry and/or masonry experience. Thru-wall installations performed by inexperienced or unqualified individuals can result in costly damage to home or result in equipment malfunction that could cause property damage, personal injury or death.

Annual Inspection

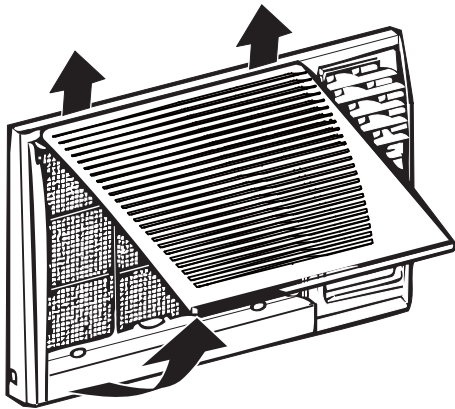
It is suggested that your unit be inspected by your dealer or servicer once a year. It is advisable to have the outer case removed and the unit thoroughly cleaned.

Note: The life of your unit may be greatly reduced if you live in a salt air or other corrosive type environment. Under these conditions, the unit should be removed from its case and completely cleaned at least once a year. At that time any scratches or blisters on the painted surfaces should be sanded and repainted. Placing an algaecide tablet in the outdoor side of the unit's basepan is suggested in humid areas where algae formation is common. We recommend the following algaecide cleaners: **PanGuard**® by Control Released Technologies, Inc. and **CDC Anti-Clog**® by Virginia KMP.

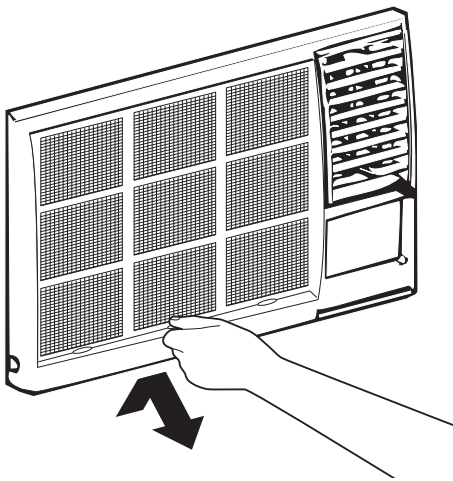
Front Grille and Filter Removal

The front contains an air filter that can be removed. To clean the filter, use the following method for filter removal.

Grasp exhaust grille and hinge up.

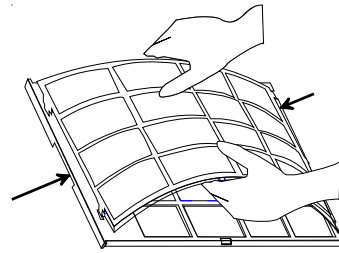


Grasp filter handle and slide filter out of unit.



Optional Charcoal Air Filter Installation

Remove charcoal air filter from plastic bag. Insert three tabs on right side of filter into three slots on filter frame. Carefully bow middle of filter until two tabs on filter can be inserted into two slots on filter frame. Relax bow.



Reinstall air filter by reversing removal procedure.

Front Grille and Cabinet Cleaning

Grille and cabinet may be cleaned with warm water and mild soap or detergent. Cleaning and polishing compounds are not recommended, as they may damage plastic surfaces.

Air Filter Cleaning

A dirty air filter reduces operating efficiency of unit. Filter should be inspected at least once every week during operation. Clean filter with vacuum cleaner or wash in warm water and mild detergent. Filter should be thoroughly dried before replacing in unit. Do not operate unit without filter in place.

Fan Motor Care

The fan motor is permanently lubricated for long life. There is no need to oil the motor.

Slide-out Chassis Removal from Outer Case

1. Hinge front grille up.
2. Remove air filter by grasping handle and lifting up.
3. Remove 3 screws (1 each side and 1 behind filter) holding plastic front to unit and remove front.
4. If the unit has a screw holding the basepan clip to the chassis, remove the screw.

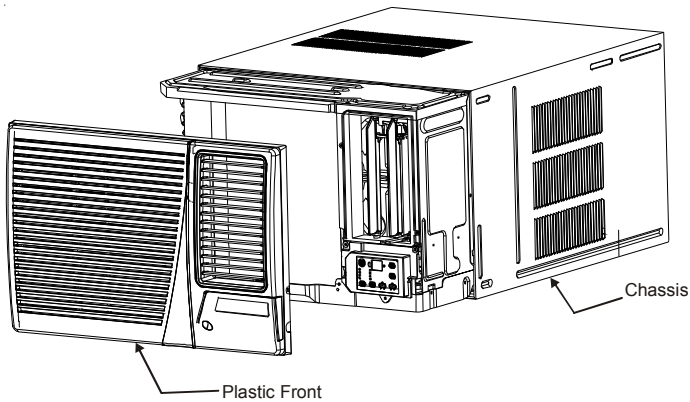


CAUTION

To reduce the risk of personal injury, be sure to have sufficient help when moving your unit. A room air conditioner can weigh between 70 and 240 pounds.

5. Using basepan handle, pull chassis straight out, slowly and evenly, until approximately 9-12 inches extends from outer case. Use both hands to grasp basepan and pull remaining chassis from outer case.

NOTE: Basepan clip is shipped in plastic bag with mounting screw and condensate drain cup. Install clip after reinserting chassis into outer case to prevent accidental chassis removal.

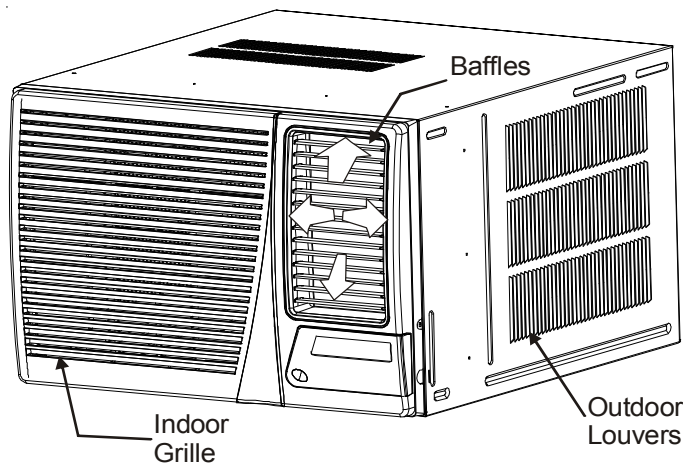


General Operating Instructions

While operation of all units is similar, controls vary slightly from model to model. *Operating Controls* section shows control panel of unit purchased and gives detailed information about operation of controls.

Initial Start-Up and Cooling

Select the highest fan speed and set temperature control to its coldest position. When the desired temperature is reached, slowly move the temperature control toward a warmer setting until the compressor shuts off. The thermostat will then cycle the compressor on and off to maintain this selected temperature. Adjust the fan speed for desired air circulation.



Changing Airflow Direction Baffles

Airflow on unit may be diverted left or right from center by baffles. Upward and downward air discharge is provided by tilting louvers. Adjust baffles and tilt louvers for desired airflow pattern. Unit also has automatic left to right air movement with "Circulaire" feature. (See page 15 under *Operating Controls*.)

Airflow Around Unit

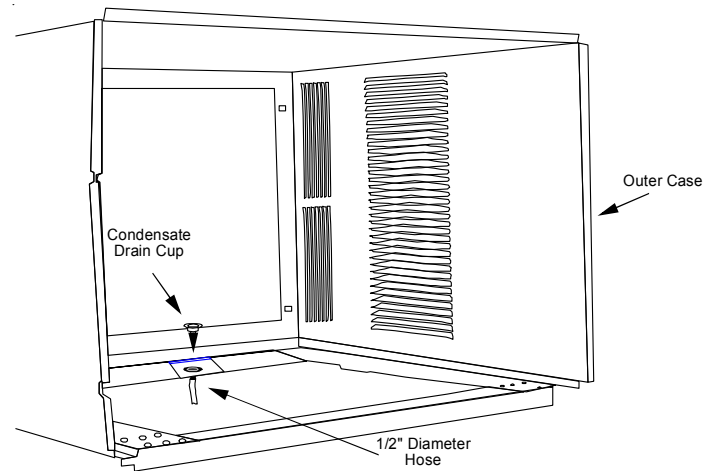
Check the indoor grille and outdoor louvers for obstructions to airflow. Do not block the airflow to and from the unit. If air is obstructed and/or deflected back into the unit, the air conditioner's compressor may cycle on and off rapidly. This could damage your unit.

Drain Cup Installation and Use

Your air conditioner uses a system where the water removed from the indoor air (condensate) is channeled to the outdoor side of the unit. The outdoor fan blade has a "slinger" ring attached to it that dips into the water and slings the water onto the outdoor coil surface. This is the sound of water you hear during normal operation. The water quickly evaporates on this warm surface and improves the efficiency of your air conditioner. In normal conditions the unit can evaporate the water as fast as it is removed from the indoor air.

However, in very humid conditions excess amounts of water may drip off the unit chassis. If this proves to be a problem, install the condensate drain cup included with the unit to route excess water where it would not be a problem (see illustration below).

To install, remove the unit chassis from the outer case. Insert the condensate drain cup through the recessed $\frac{1}{2}$ " hole on the back center flange of the outer case. Once inserted, place a $\frac{1}{2}$ " diameter hose or tube on the drain cup bottom spout. The hose allows you to route where you want the excess water to go. Reinsert the unit chassis into the outer case. The unit basepan overflow hole will be positioned directly above the drain cup and will catch any water that might run out.



Switchover Thermostat Control

Emergency heat switch overrides heat pump (compressor) and starts auxiliary electrical heater. When switch is ON, heat pump is locked out.

- Use emergency switch *only* when heat pump fails to provide adequate heat. Cause of heat pump malfunction should be determined by authorized servicer. Cost of operating unit will increase when emergency heat switch is engaged.

Installation Instructions

Air Conditioner



WARNING

Disconnect ALL power to unit before installing or servicing, making sure unit is plugged in only when instructions state it is safe to do so. Failure to follow instructions may cause property damage, personal injury or death.



Question? Consumer information line toll-free 1-877-376-0214



BEFORE YOU BEGIN

Read these instructions completely and carefully.

- **IMPORTANT** - Save these instructions for local inspector's use.
- **IMPORTANT** - Observe all governing codes and ordinances.
- Note to Installer - Be sure to leave these instructions with the Consumer.
- Not to Consumer - Keep these instructions for future reference.
- Skill level - Installation of this appliance requires basic mechanical skills.
- Completion time - Approximately 1 hour
- We recommend that two people install this product.
- Proper installation is the responsibility of the installer.
- Product failure due to improper installation is not covered under the Warranty.



ELECTRICAL REQUIREMENTS

The 3-prong grounding plug minimizes the possibility of electric shock hazard. If the wall outlet you plan to use is only a 2-prong outlet, it is your responsibility to have it replaced with a properly grounded 3-prong wall outlet.



Some models require 230/208-volt a.c. protected with a time delay fuse or circuit breaker. These models should be installed on their own single branch circuit for best performance and to prevent overloading house or apartment wiring circuits, which could cause a possible fire hazard from overheating wires.



CAUTION

Do not, under any circumstances, cut or remove the third (ground) prong from the power cord.

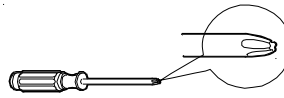
Do not change the plug on the power cord of this air conditioner.

Aluminum house wiring may present special problems - consult a qualified electrician.

TOOLS YOU WILL NEED



Adjustable wrench



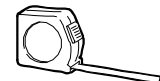
Phillips head screwdriver



Flat-blade screwdriver



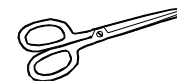
Pencil



Ruler or tape measure



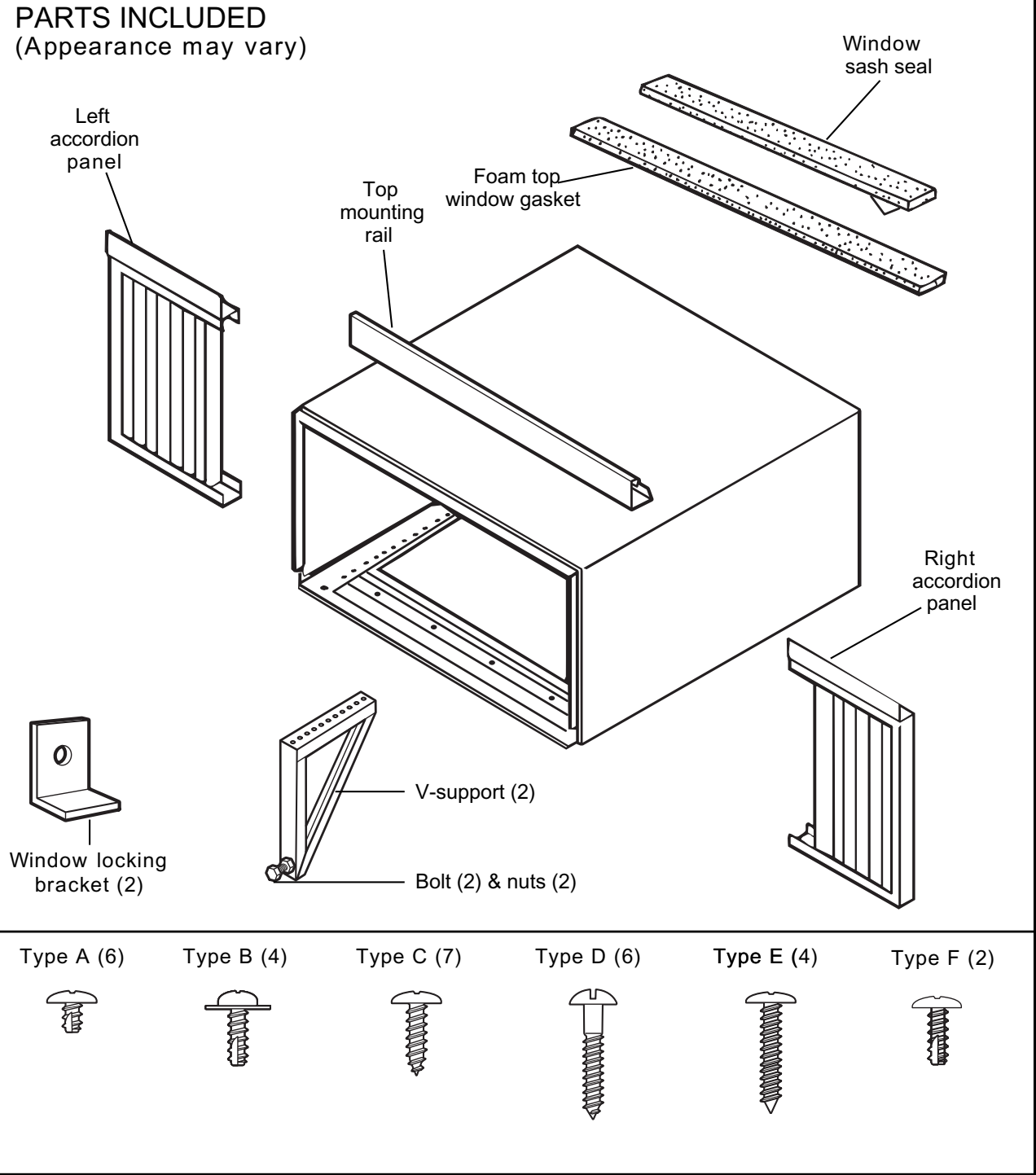
Level



Scissors or knife

Power cord includes a current interrupter device. A test and reset button is provided on the plug case. The device should be tested on a periodic basis by first pressing the TEST button and then the RESET button. If the TEST button does not trip or if the RESET button will not stay engaged, discontinue use of the air conditioner and contact a qualified service technician.

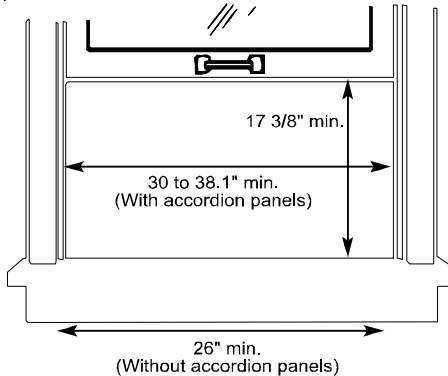
Installation Instructions



Installation Instructions

1 WINDOW REQUIREMENTS

- These instructions are for a standard double-hung window. You will need to modify them for other types of windows.
- The air conditioner can be installed without the accordion panels if needed to fit in a narrow window. See the window opening dimensions.
- All supporting parts must be secured to firm wood, masonry or metal.
- The electrical outlet must be within reach of the power cord.



2 STORM WINDOW REQUIREMENTS

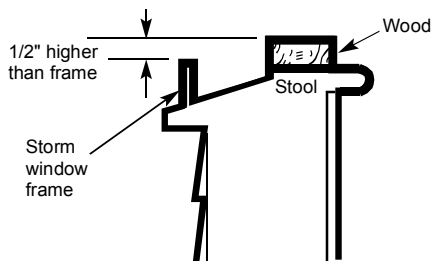
- A storm window frame will not allow the air conditioner to tilt toward the outside, and will keep it from draining properly. To adjust for this, attach a piece of wood to the stool.

WOODPIECES

WIDTH: 2"

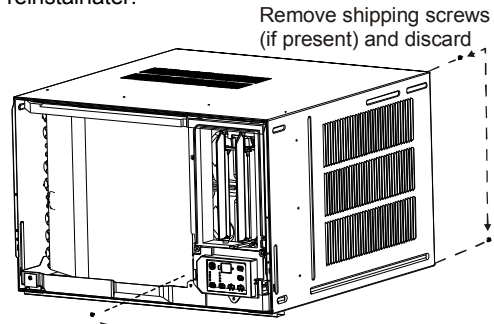
LENGTH: Long enough to fit inside the window frame.

THICKNESS: To determine the thickness, place a piece of wood on the stool to make it 1/2" higher than the top of the storm window frame. Attach securely with nails or screws provided by the installer.

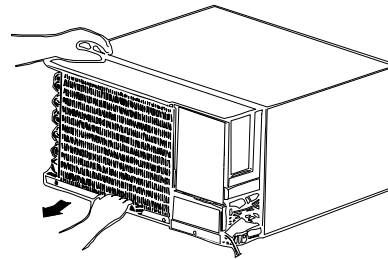


3 REMOVE THE AIR CONDITIONER FROM THE CASE

- A** Remove the locking screw and locking bracket from the lower frame. Save to reinstall later.
- B** Remove the ground screw and save to reinstall later.

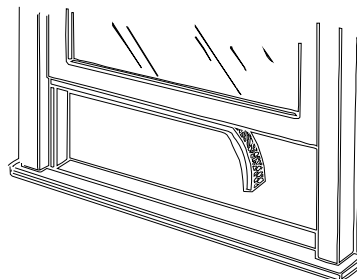


- C** Slide the air conditioner from the case by gripping the base pan handle and pulling forward while bracing the case.



4 PREPARE THE WINDOW

Cut the window sash seal to the proper length. Peel off the backing and attach the seal to the underside of the window sash.

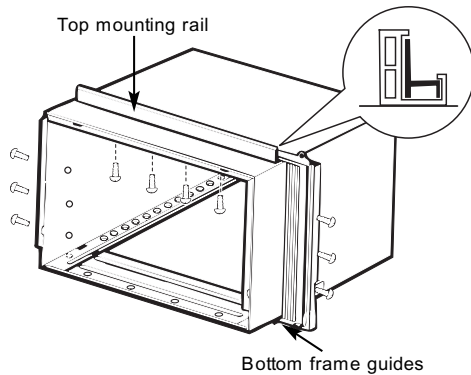


Installation Instructions

5 PREPARE THE CASE

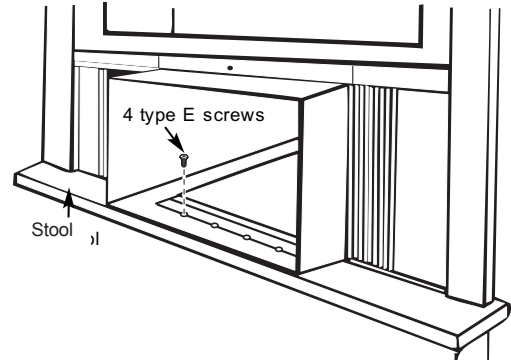
- A Install the top mounting rail with 4 type B screws from the inside of the case.
- B Insert the frames for the accordion panels into the top mounting rail and the bottom frame guides. Attach the accordion panels to the side of the case using 3 type A screws on each side.

Note: When attaching the accordion panels, make sure to only screw the inner panels to the case sides.

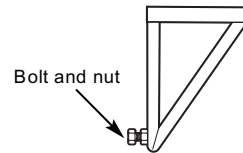


6 INSTALL THE CASE IN THE WINDOW

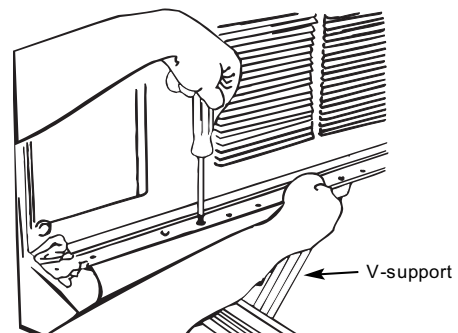
- A Carefully slide the case into the window and center the case. Lower the window behind the top mounting rail. Pull the bottom of the case forward so that the bottom mounting rail is tight against the back of the window stool. Mount the case to the window sill using 4 type E screws. Drill pilot holes, if necessary.



- B Make sure the bolts and nuts are all of the way in both the left and right V-supports.



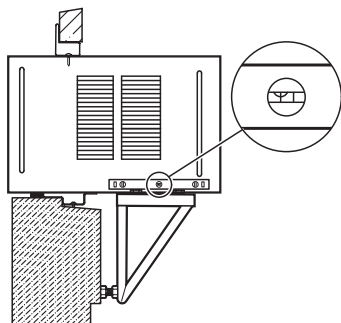
- C Position the V-supports on the case bottom so that they will be near the outside wall. Attach a V-support to each side of the bottom of the case using type C screws, 3 on each side.



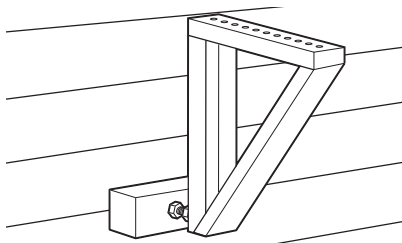
Installation Instructions

6 INSTALL THE CASE IN THE WINDOW (cont.)

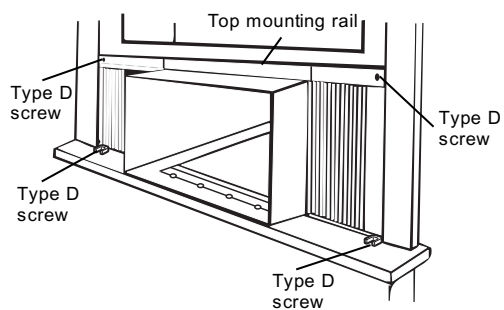
- D** Adjust the leveling bolts and nuts against the outside wall so that the case has a slight tilt to the outside. Tighten nuts with an adjustable wrench. Use a level; about a 1/2 bubble will be the correct case slant to the outside.



- E** Use a wood block (obtained locally) between the leveling bolts and the wall if the wall is weak or if the weight of the air conditioner falls between the studs in the wall.

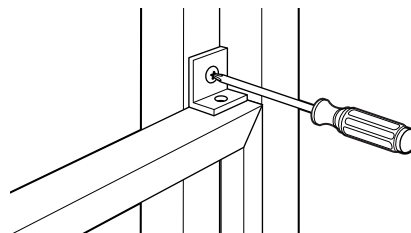


- F** Extend the left and right accordion panels to the vertical window sashes. Drill pilot holes and attach the top and bottom corners with 4 type D screws.



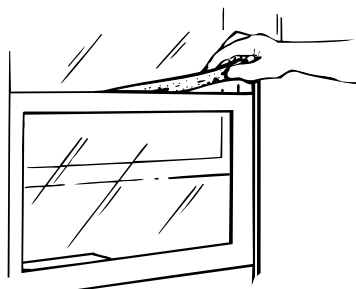
7 INSTALL SUPPORT BRACKETS AND THE FOAM TOP WINDOW GAS KET

- A** Attach the support brackets with two type D screws, one on each side.



- B** Cut the foam top window gasket to the window width.

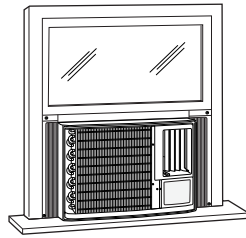
- C** Stuff the foam between the glass and the window to prevent air and insects from getting into the room.



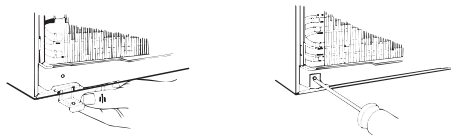
Installation Instructions

8 INSTALL THE AIR CONDITIONER IN THE CASE

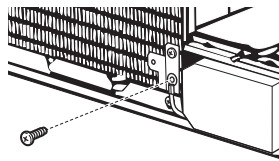
- A** Slide the air conditioner into the case. Do not push on the controls or the finned coils. Make sure the air conditioner is firmly seated.



- B** Reinstall the locking bracket and screw removed earlier

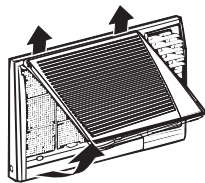


- C** Reconnect the ground wire to the air conditioner using the screw removed earlier **IMPORTANT:** The ground wire must be reinstalled to ensure a proper ground.

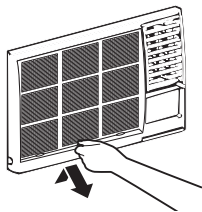


- D** Remove the front grille from its box and remove the shipping tape.

- E** Grasp the inlet grille at the bottom corners and pull it forward. Unhook it from its top hinges and set it aside.

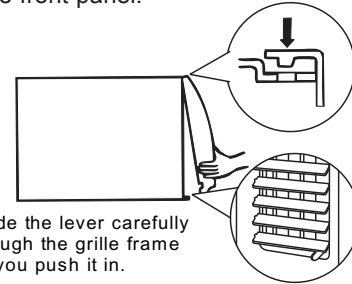


- F** Using the tab, pull up slightly on the filter to release it and pull it down and out.



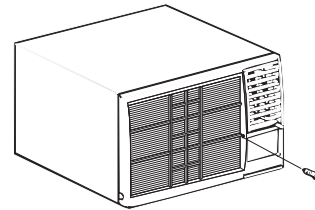
8 INSTALL THE AIR CONDITIONER IN THE CASE (cont.)

- G** Pull the coiled power cord from its shipped position in the air discharge area. Attach the front grille frame to the case by inserting the tabs on the grille frame into the slots on the front top of the case. Push the grille frame in. Install the 2 Type F screws at the bottom left and right sides of the front panel.

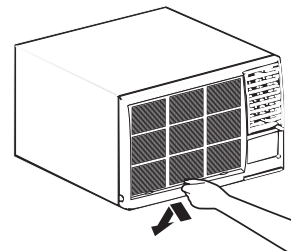


Guide the lever carefully through the grille frame as you push it in.

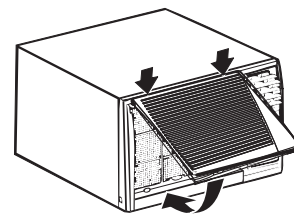
- H** Secure the front grille frame to the case with one type C screw



- I** Reinstall the filter



- J** Reinstall the inlet grille. Connect power



Thru-wall Installation Instructions

for Amana® Brand Room Air Conditioner

Introduction

This instruction sheet provides guidelines for installing a compact air conditioner through an outside wall.



WARNING

HIGH VOLTAGE

Disconnect ALL power before servicing or installing this unit. Multiple power sources may be present. Failure to do so may cause property damage, personal injury or death due to electrical shock.

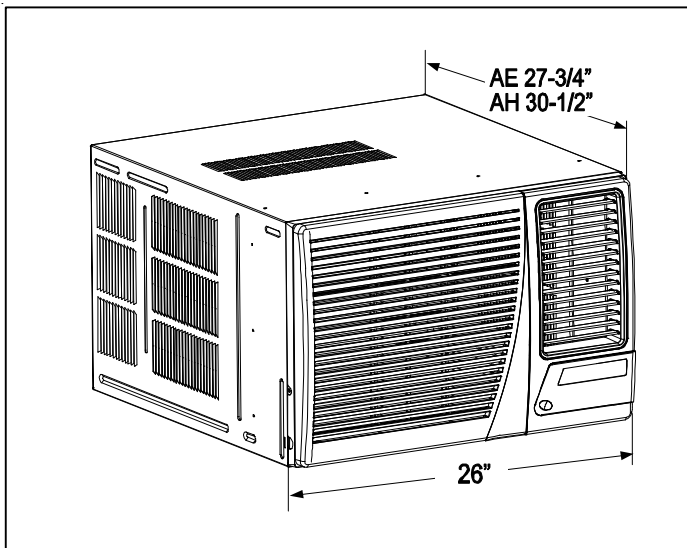


CAUTION

Installing an air conditioner through a wall requires extensive carpentry and/or masonry experience. Thru-wall installations performed by inexperienced or unqualified individuals can result in costly damage to home or result in equipment malfunction that could cause property damage, personal injury or death.

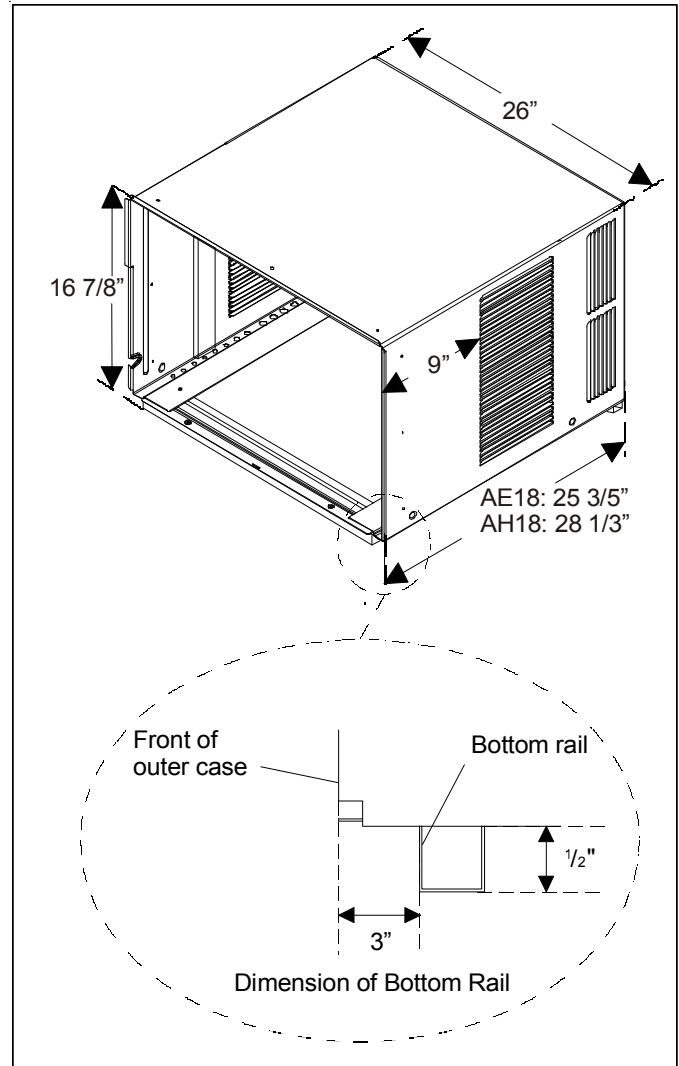
Air Conditioner Dimensions

The following figures show the outside dimensions of air conditioner with chassis installed, and dimensions of outer case with chassis removed.



Air Conditioner Dimensions

(with chassis installed)



Outer Case Dimensions

(chassis removed)

General Instructions

All Amana® brand Compact Room Air Conditioners feature a slide-out chassis. Chassis and front cover must be removed from outer case for installation.



is a registered trademark of Maytag Corporation or its related companies and is used under license to Goodman Company, L.P., Houston, TX. All rights reserved.

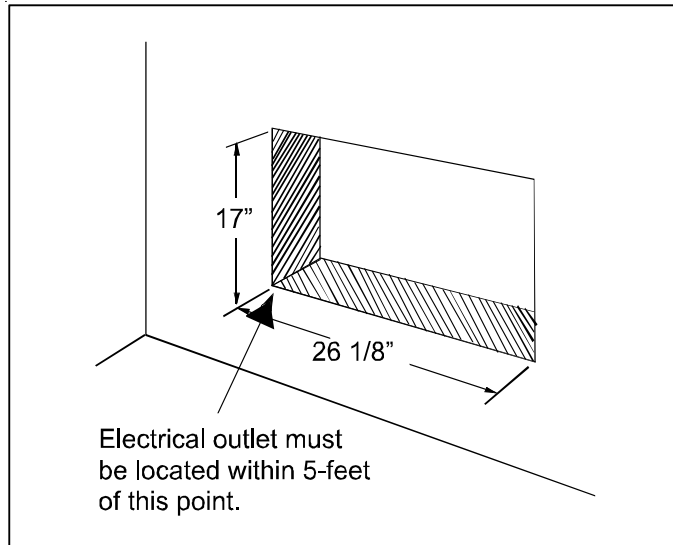


CAUTION

In order to reinstall the chassis and re-attach the air conditioner front cover, the installed outercase must be square and level from side to side. Use wood shims between sides of case and finished opening - especially where case is secured to opening - to prevent warping or distorting. Check installed case for distortion using carpenter's square.

A finished opening 26 1/8-inches wide x 17-inches high is recommended. The lower left inside corner of opening must be within 5 feet of an appropriate electrical outlet (see Use and Care manual for electrical requirements.)

When wall thickness exceeds 9-inches, opening must be modified to allow air to enter side louvers on case (see special instructions on back). Do not install air conditioner in walls thicker than 11 2/5-inches.



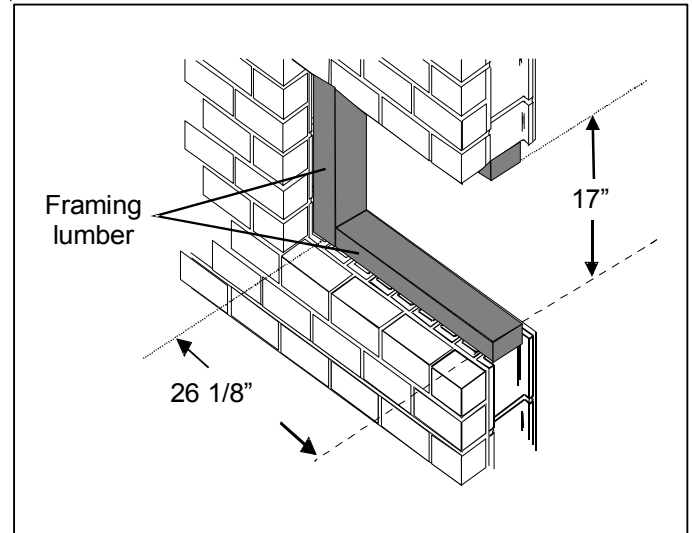
Dimensions of Finished Opening

Masonry Construction

See CAUTION under General Instructions. In masonry walls, cut or build a finished opening 17-inches high by 26 1/8-inches wide. When case is properly positioned in opening, secure it in place with mortar or concrete nails driven through holes in sides of outer case (shim case and predrill holes before securing with nails).

Brick Veneer or Frame Wall Construction

See CAUTION under General Instructions. Cut or build rough opening large enough to allow a framed, finished opening 17-inches high and 26 1/8-inches wide. When case is properly positioned in opening, secure it to framing material with nails or screws driven through holes in sides of outer case (shim case and predrill holes before securing).



Framed/Finished Opening
(brick veneer or frame wall construction)

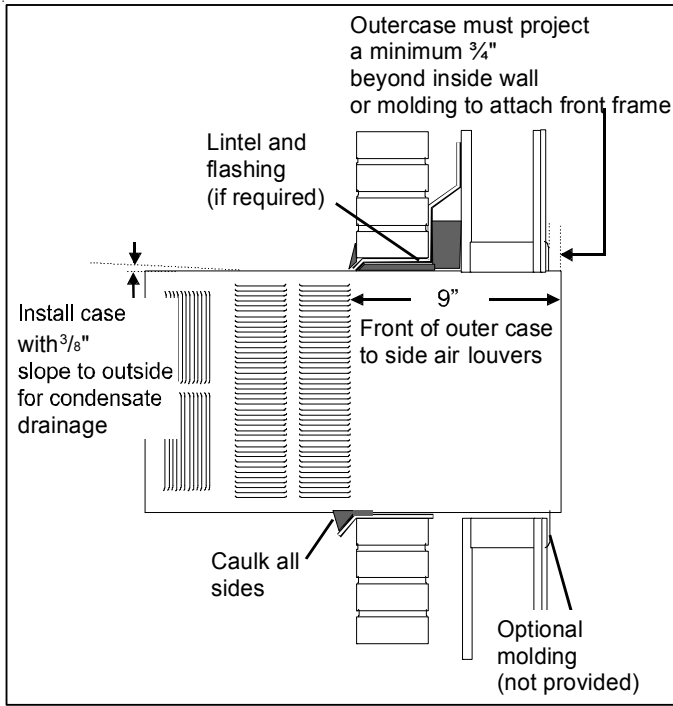
Placement of Outer Case in Opening

Place outer case in opening, flush against one side of opening. Use carpenter's level and ensure case is level from side to side and has a 3/8-inch slope from front to back (back of case must be 3/8-inch lower than front to ensure proper condensate drainage). If needed, use shims to level case (from side to side) and to obtain proper back slope.

Front of case must project 3/4-inch (minimum) beyond inside wall in order to attach air conditioner front frame. If framing indoor side of opening with wood molding (or other decorative material), extend outer case 3/4-inch beyond molding.

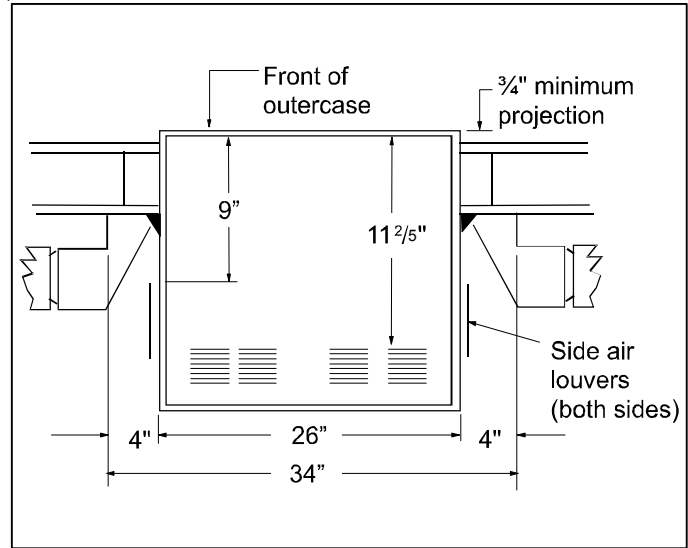
When case is properly positioned in opening, use wood shims to fill any gaps between case and finished opening, especially in area where case will be secured to opening.

Take care not to warp or distort case when installing shims. For condensate drainage, install drainage cup in drain hole on baseplate of case.



Installed Case

(brick veneer or frame wall construction shown)



Chamfering Walls Thicker Than 9-inches

Installation in Wall Thicker Than 9-inches

The side louvers in outercase provide ventilation to air conditioner compressor and fan motor and must not be blocked. When installing unit in a wall over 9-inches thick, provisions must be made in wall opening to ensure free air flow to the side louvers. This can be accomplished by chamfering the vertical portions of the outside opening as shown.

Ventilation louvers on top of case must not be obstructed. Do not attempt to install unit in walls thicker than 11 2/5-inches.

Operating Controls

Operating your air conditioner properly helps you to obtain the best possible results.

This section explains proper air conditioner operation.

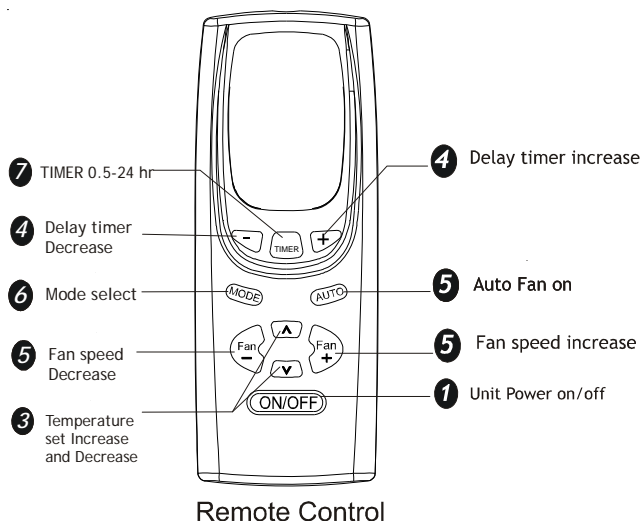
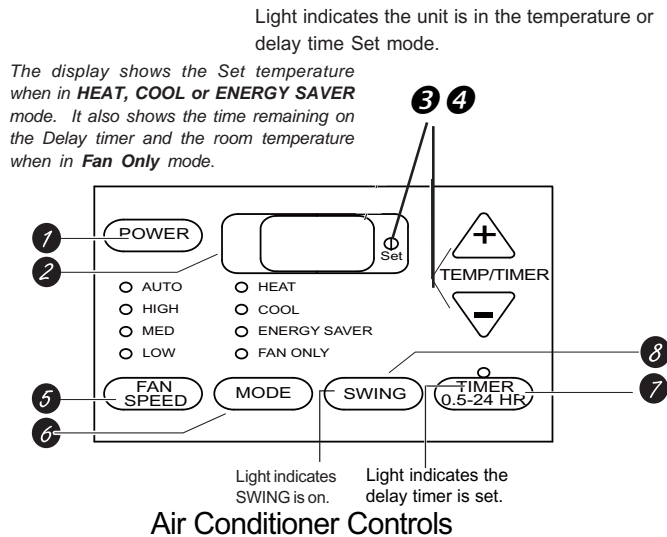
IMPORTANT:

- If you turn off the air conditioner, wait at least 3 minutes before turning it back on. This prevents the air conditioner from blowing a fuse or tripping a circuit breaker.
- Do not try to operate your air conditioner in the cooling mode when outside temperature is below 61°F (16°C). Do not try to operate your air conditioner in the heating mode when outside temperature is over 86°F (30°C).

NOTES:

1. **NOTE:** Factory default setting is for °F. To convert to °C, press the **INCREASE ▲ / DECREASE ▼** buttons simultaneously for approximately 5 seconds. To return to °F, repeat the procedure.
2. In the event of a power failure, your air conditioner will operate at the previous settings when the power is restored.

Lights next to the touch pads on the air conditioner control panel indicate the selected settings.



Controls

1 Power Pad (Button)

Turns air conditioner on and off. When turned on, the display will show the room temperature.

2 Display

Shows the Set temperature when in **HEAT, COOL** or **ENERGY SAVER** mode; shows the time remaining on the Delay Timer; shows the room temperature when in **Fan Only** mode. The **SET** light will turn on while setting.

3 Temp Increase ▲ / Decrease ▼ Pads

Use to set temperature when in **HEAT** (on some models), **COOL** or **ENERGY SAVER** mode. The **SET** light will turn on while setting.

4 Delay Timer Increase ▲ (+) / Decrease ▼ (-) Pads

Each touch of the **INCREASE ▲ / DECREASE ▼** pads on the unit or the **INCREASE (+) / DECREASE (-)** pads on the remote control will set the delay time when using the **TIMER 0.5-24 hr.**

The **SET** light will turn on while setting.

5 Fan Speed Pads

Use to set the fan speed to **LOW, MED, HIGH** or **AUTO**, on the unit.

NOTE: On the remote control, use the fan speed **INCREASE (+) / DECREASE (-)** pads to set the fan speeds to **LOW, MED** or **HIGH**. Use the **AUTO** pad to turn Auto fan on.

6 Mode Pad

Use to set the air conditioner to **COOL, ENERGY SAVER, FAN ONLY** or **HEAT** (on some models) mode.

7 Timer Pads

TIMER ON - When the air conditioner is off, it can be set to automatically come on in 0.5 (1/2 hr.) to 24 hours at its previous mode and fan settings.

TIMER OFF - When the air conditioner is on, it can be set to automatically turn off in 0.5 (1/2 hr.) to 24 hours.

How to set:

Press the **TIMER 0.5-24 hr** pad on the unit or the **TIMER** pad on the remote control. Each touch of the **INCREASE ▲ / DECREASE ▼** pads on the unit or the **INCREASE (+) / DECREASE (-)** pads on the remote control will set the timer in 0.5 (1/2 hr.) or 1-hour intervals. (The delay timer can be set in 0.5 (1/2 hr.) increments if programmed for under 10 hours, but if the delay timer is set for above 10 hours, the timer will be set in 1-hour increments.) The **SET** light will turn on while setting.

To review the remaining time, press the **TIMER 0.5-24 hr** pad on the unit or the **TIMER** pad on the remote control. Use the **INCREASE ▲ / DECREASE ▼** pads on the unit or the **INCREASE (+) / DECREASE (-)** pads on the remote control to set a new time if desired.

To cancel the timer, press and hold the **TIMER 0.5-24 hr pad until the light on the **TIMER 0.5-24 hr** pad goes off.**

⑧ Swing Pad

Turn on to provide continuous side-to-side air circulation. For fixed side-to-side air direction, turn on until the desired air direction is obtained, then turn it off.

Remote Control:

- To ensure proper operation, aim the remote control at the signal receiver on the air conditioner.
- The remote control signal has a range of up to 20 feet.
- Make sure nothing is between the air conditioner and the remote control that could block the signal.
- Make sure your batteries are fresh and installed correctly as indicated on the remote control.

Cool Mode

Use the **COOL** mode at **LOW, MED, HIGH, or AUTO FAN SPEED** for cooling. Use the **TEMPERATURE INCREASE ▲ / DECREASE ▼** pads to set the desired temperature between 61° and 86°F in 1° increments.

The compressor will cycle on and off to keep the room at the set level of comfort. Set the thermostat at a lower number and the indoor air will become cooler. Set the thermostat at a higher number and the indoor air will become warmer.

NOTE: If the air conditioner is off and then turned on while set to a **COOL** setting, or if it is turned from a fan setting to a **COOL** setting, it may take approximately 3 minutes for the compressor to start and cooling to begin.

Cooling Descriptions

For Normal Cooling - Select the **COOL** mode and **HIGH** or **MED** fan with a middle set temperature.

For Maximum Cooling - Select the **COOL** mode and **HIGH** fan with a lower set temperature.

For Quieter & Nighttime Cooling - Select the **COOL** mode and **LOW** fan with a middle set temperature.

Energy Saver Mode

Controls the fan.

ON - The fan will cycle on and off with the compressor. **This results in wider variations of room temperature and humidity and is normally used when the room is unoccupied.**

NOTE: The fan may continue to run for a short time after the compressor cycles off.

OFF - The fan runs all the time, while the compressor cycles on and off.

Fan Only Mode

Use the **FAN ONLY** mode at **LOW, MED** or **HIGH** fan speed to provide air circulation and filtering without cooling. Since the fan only settings do not provide cooling, a **SET** temperature cannot be entered. The room temperature will appear in the display.

NOTE: Auto Fan Speed cannot be used when in the **FAN ONLY** mode.

Heat Mode (on some models)

Use the **HEAT** mode at **LOW, MED, HIGH** or **AUTO FAN SPEED** for heating. Use the **TEMPERATURE INCREASE ▲ / DECREASE ▼** pads to set the desired temperature between 61°F and 86°F in 1°F increments.

Auto Fan Speed

Set to **AUTO** fan speed for the fan speed to automatically set to the speed needed to provide optimum comfort settings with the set temperature. If the room needs more cooling, the fan speed will automatically increase. If the room needs less cooling, the fan speed will automatically decrease.

NOTE: Auto Fan Speed cannot be used when in the **FAN ONLY** mode.

Power Outage Recovery Feature

In the case of a power outage or interruption, the unit will automatically re-start in the settings last used, after the power is restored. If the **TIMER 0.5-24 hr** feature was set, it will resume countdown. You may need to set a new time if desired.

BEFORE CALLING SERVICE



WARNING

HIGH VOLTAGE

Disconnect ALL power before servicing or installing this unit. Multiple power sources may be present. Turn the fan control to the OFF position and remove the unit plug from the wall outlet prior to inspection or maintenance. Failure to do so may cause personal injury or death due to electrical shock.



The following is a list of problems that are sometimes encountered when using a room air conditioner. Possible cause and suggested remedies are given for each problem.

If the problem cannot be fixed using the suggested remedies, see *WHEN SERVICE IS REQUIRED* section.

PROBLEM	POSSIBLE CAUSE	SUGGESTED REMEDY
UNIT WILL NOT RUN	No power to unit	Push reset button on power cord. Set Fan Control to position other than OFF. Make sure plug is firmly seated in outlet. Check for blown fuses, tripped circuit breakers.
LITTLE OR NO COOLING LITTLE OR NO HEATING (fan <i>and</i> compressor run)	Fresh air/exhaust damper open Obstructed indoor or outdoor airflow Dirty air filters Unit undersized for application	Set vent to CLOSED. Remove obstruction from indoor grille or outdoor louvers. Dirty air filter. Clean or replace, as needed. Check with dealer to determine proper capacity unit for application.
LITTLE OR NO COOLING LITTLE OR NO HEATING (only fan runs)	Temperature Control not set properly	For cooling, turn Temperature Control to cooler setting. For heating, turn Temperature Control to warmer setting.
NOISY UNIT	Loose front on mounting assembly Weak building construction Water hitting fan blade Unit oversized for application: compressor cycles on and off frequently	Tighten any loose parts. Provide additional support for unit. Normal in high humidity. Stop noise by removing drain plug or adding condensate drain cup. Check with dealer to determine proper capacity unit for application.
MOUNTING SUPPORT NOT INSTALLED	Storm window frame installed in window	Some models require removal of storm window frame before installation.
FROST ON INDOOR COIL	Dirty air filter Normal for low outdoor temperatures	Clean air filter by vacuuming or washing with water and mild soap. Turning Temperature Control to warmer setting reduces occurrence and duration of frost.
FROST ON OUTDOOR COIL (heat pump models only)	Normal for outdoor temperatures at or below 45°F	Call for service <i>only</i> if unit does not heat room and you have checked all problems and remedies listed under LITTLE OR NO HEATING.
ODORS IN COOLING	Mold, mildew, or algae formation on wet surfaces	To reduce algae growth, use algacide tablet in base pan; remove drain plug; add condensate drain cup and hose. Thoroughly clean unit.
ODORS IN HEATING	Normal for first time electric heater is used each season	Caused by dust accumulation during unused months. Odor dissipates quickly with heater use.

When Service Is Required

Your room air conditioner dealer can give you the name of your nearest Authorized Service Center. Help them give you prompt service by providing:

- An accurate description of problem.
- Complete model, serial, and manufacturing numbers from serial plate.
- Proof of purchase (sales receipt) upon request.

Repair by unauthorized servicer that results in subsequent failure of unit voids warranty. Warranty details are contained in warranty certificate enclosed with unit.

Keep accurate records of service calls, including what was done, servicer's name, and date of service.

Any Questions?

Most questions can be answered by your local dealer. If you have other matters that cannot be resolved locally, or you need additional information regarding other heating and cooling products offered by us - please call:

CONSUMER INFORMATION LINE
AMANA TOLL FREE
1-877-376-0214 (U.S. and Canada only)
email us at: customerservice@goodmanmfg.com
fax us at: (713) 856-1821
(Not a technical assistance line for dealers.)

Outside the U.S. and Canada, call 1-713-861-2500.
(Not a technical assistance line for dealers.)
Your telephone company will bill you for the call.



LIMITED WARRANTY CONSUMERS

RAC WINDOW TYPE H & C (AE, AH, PBC, PBE, PBH)

This warranty is extended only to purchasers for personal, family or household use. A distinct warranty is extended to commercial customers.

Amana® brand RAC window-type heating or air conditioning units identified as AE, AH, PBC, PBE and PBH units are warranted by Goodman Company, L.P. to consumers against defects in materials and workmanship under normal use and maintenance, as provided below.

FIRST-YEAR COVERAGE (ENTIRE UNIT): We will repair or replace, free of charge (to include labor), any part of a unit that proves to be defective due to workmanship or materials within the first year after the date of purchase.

SECOND THROUGH FIFTH YEARS SEALED SYSTEM COVERAGE: During the 2nd through 5th years after the date of purchase, we will repair (to include labor) any refrigerant leaks caused by defects in workmanship or material of a unit, and will repair or replace (to include labor) any portion of the evaporator coil, condenser coil, compressor, reversing valves or connecting tubing that proves to be defective, in workmanship or materials.

If the date of purchase cannot be verified, the warranty period begins three months after the month of manufacture (indicated by the first four digits of the unit's serial number (yyymm)).

Any part replaced or leak repaired under this warranty is warranted only for the unexpired portion of the original warranty term.

The above remedies are our only responsibilities, and the consumer's only remedies, under this warranty. For warranty credit, any defective part must be returned to an Amana® brand heating and air conditioning products distributor by an authorized Amana® brand servicer; and all warranty service must be performed by an authorized Amana® brand servicer. To locate an authorized Amana® brand servicer, contact Goodman Company Consumer Affairs at the number or address found at the bottom of this certificate.

Goodman will not pay for electricity or fuel costs, or increases in electricity or fuel costs, for any reason, including additional or unusual use of supplemental electric heat. This warranty does not cover lodging.

Model # & Serial # _____

Date of Purchase _____



_____ is a registered trademark of Maytag Corporation or its related companies and is used under license to Goodman Company, L.P., Houston, TX. All rights reserved.

For service, contact an Authorized Amana® Brand Servicer.

For answers to questions regarding the above or to locate an authorized servicer, contact

Goodman Consumer Affairs • 7401 Security Way • Houston, Texas 77040

Part No. PW-342B

5/2010

1-877-254-4729 inside U.S.A. • 1-713-861-2500 outside U.S.A.

WARRANTY LIMITATIONS: WE ARE NOT RESPONSIBLE FOR:

- Damage or repairs required as a result of faulty installation or application
- Damage or repairs required as a result of floods, fires, wind, lightning, accidents, corrosive atmosphere or other conditions beyond our reasonable control
- Damage or repairs required as a result of the use of components or accessories not compatible with the unit
- Units installed outside of the United States and Canada
- Normal maintenance, as described in the installation and operating manual, such as cleaning of the coils, filter cleaning and/or replacement, or damage caused by failure to perform such maintenance
- Parts or accessories not supplied or designated for use by us
- Damage or repairs required as a result of any improper use, maintenance, operation or servicing
- Damage or failure to start due to interrupted and/or inadequate electrical service
- Changes in the appearance of the unit that do not affect its performance
- Replacement of fuses and replacement or resetting of circuit breakers

THIS WARRANTY IS THE ONLY EXPRESS WARRANTY PROVIDED ON THE UNITS COVERED; AND ANY IMPLIED WARRANTIES, INCLUDING ANY IMPLIED WARRANTY OF MERCHANTABILITY OR FITNESS FOR A PARTICULAR PURPOSE ARE LIMITED TO THE DURATION OF THIS WARRANTY. Some states do not allow limitations on how long an implied warranty lasts, so the above limitation may not apply to you.

WHETHER ANY CLAIM IS BASED ON NEGLIGENCE OR OTHER TORT, BREACH OF WARRANTY OR OTHER BREACH OF CONTRACT, OR ANY OTHER THEORY, IN NO EVENT SHALL WE BE LIABLE FOR INCIDENTAL OR CONSEQUENTIAL DAMAGES, INCLUDING BUT NOT LIMITED TO LOST PROFITS, LOSS OF USE OF A UNIT OR OTHERWISE. Some states do not allow the exclusion or limitation of incidental or consequential damages, so the above exclusion may not apply to you.

This warranty gives you specific legal rights, and you may also have other rights which vary from state to state.





WARRANTY TO COMMERCIAL CUSTOMERS

RAC WINDOW TYPE H & C (AE, AH, PBC, PBE, PBE, PBH)

This warranty is extended to commercial customers only. A distinct warranty is extended to purchasers for personal, family or household use.

Amana® brand RAC window-type heating or air conditioning units identified as AE, AH, PBC, PBE and PBH units are warranted by Goodman Company, L.P. to commercial customers against defects in materials and workmanship under normal use and maintenance, as provided below.

FIRST-YEAR COVERAGE (ENTIRE UNIT): We will repair or replace, free of charge (to include labor), any part of a unit that proves to be defective due to workmanship or materials within the first year after the date of purchase.

SECOND THROUGH FIFTH YEARS SEALED SYSTEM COVERAGE: During the 2nd through 5th years after the date of purchase, we will repair (to include labor) any refrigerant leaks caused by defects in workmanship or material of a unit, and will repair or replace (to include labor) any portion of the evaporator coil, condenser coil, compressor, reversing valves or connecting tubing that proves to be defective, in workmanship or materials.

If the date of purchase cannot be verified, the warranty period begins three months after the month of manufacture (indicated by the first four digits of the unit's serial number (yyymm)).

Any part replaced or leak repaired under this warranty is warranted only for the unexpired portion of the original warranty term.

The above remedies are our only responsibilities, and the customer's only remedies, under this warranty. For warranty credit, any defective part must be returned to an Amana® brand heating and air conditioning products distributor by an authorized Amana® brand servicer; and all warranty service must be performed by an authorized Amana® brand servicer. To locate an authorized Amana® brand servicer, contact Goodman Company Consumer Affairs at the number or address found at the bottom of this certificate.

Model # & Serial # _____

Date of Purchase _____



is a registered trademark of Maytag Corporation or its related companies and is used under license to Goodman Company, L.P., Houston, TX. All rights reserved.

For service, contact an Authorized Amana® Brand Servicer.

For answers to questions regarding the above or to locate an authorized servicer, contact

Goodman Consumer Affairs • 7401 Security Way • Houston, Texas 77040

Part No. PW-343
5/2010

1-877-254-4729 inside U.S.A. • 1-713-861-2500 outside U.S.A.

©2010 Goodman Company, L.P.

Goodman will not pay for electricity or fuel costs, or increases in electricity or fuel costs, for any reason, including additional or unusual use of supplemental electric heat. This warranty does not cover lodging.

WARRANTY LIMITATIONS: WE ARE NOT RESPONSIBLE FOR:

- Damage or repairs required as a result of faulty installation or application
- Damage or repairs required as a result of floods, fires, wind, lightning, accidents, corrosive atmosphere or other conditions beyond our reasonable control
- Damage or repairs required as a result of the use of components or accessories not compatible with the unit
- Units installed outside of the United States and Canada
- Normal maintenance, as described in the installation and operating manual, such as cleaning of the coils, filter cleaning and/or replacement, or damage caused by failure to perform such maintenance
- Parts or accessories not supplied or designated for use by us
- Damage or repairs required as a result of any improper use, maintenance, operation or servicing
- Damage or failure to start due to interrupted and/or inadequate electrical service
- Changes in the appearance of the unit that do not affect its performance
- Replacement of fuses and replacement or resetting of circuit breakers

THIS WARRANTY IS PROVIDED IN LIEU OF ANY OTHER WARRANTIES, EXPRESS OR IMPLIED, INCLUDING ANY IMPLIED WARRANTY OF MERCHANTABILITY OR FITNESS FOR A PARTICULAR PURPOSE. WHETHER ANY CLAIM IS BASED ON NEGLIGENCE OR OTHER TORT, BREACH OF WARRANTY OR OTHER BREACH OF CONTRACT, OR ANY OTHER THEORY, IN NO EVENT SHALL WE BE LIABLE FOR INCIDENTAL OR CONSEQUENTIAL DAMAGES, INCLUDING BUT NOT LIMITED TO LOST PROFITS, LOSS OF USE OF A UNIT OR OTHERWISE.

