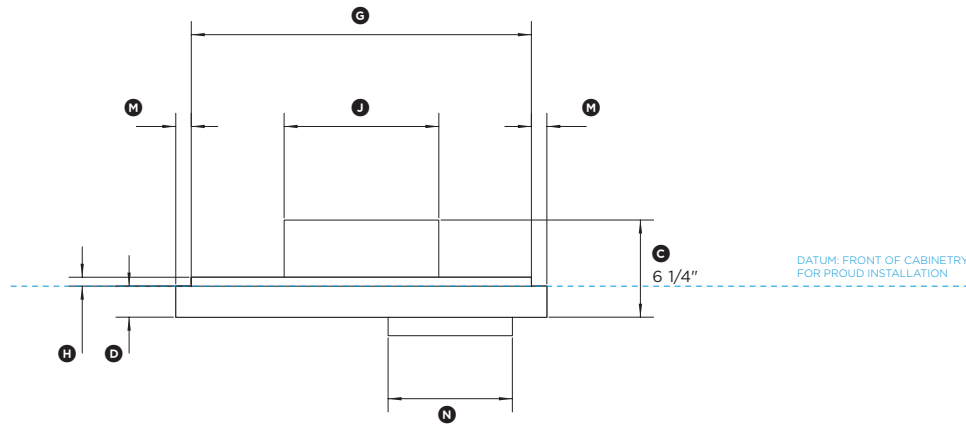
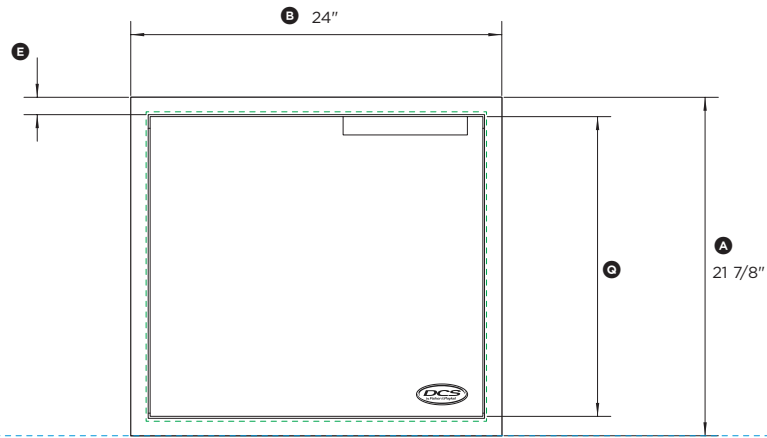


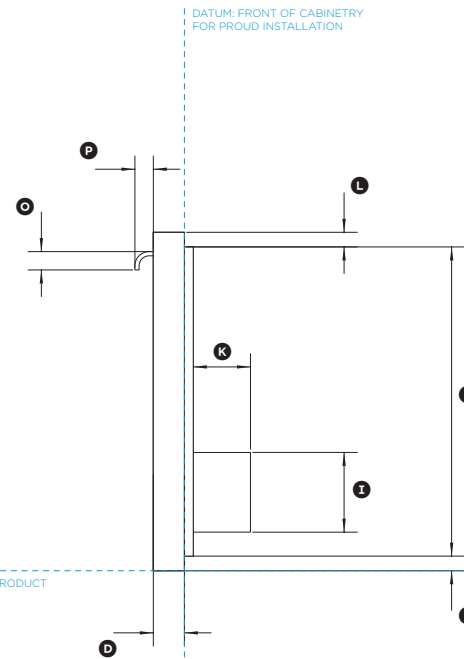
Data sheet



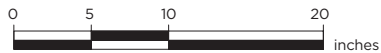
PLAN VIEW



FRONT VIEW



PROFILE VIEW



24" Access Door

Model no:

ADN24

(refer page 2 for metric measurements)

Product Dimensions	in
Ⓐ Overall height of product	21 7/8"
Ⓑ Overall width of product	24"
Ⓒ Overall depth of product including internal shelf (excluding handles)	6 1/4"
Ⓓ Depth of front frame	2"
Ⓔ Width of front frame	1 1/8"
Ⓕ Height of frame insert	19 31/32"
Ⓖ Width of frame insert	21 31/32"
Ⓗ Depth of frame insert	9/16"
Ⓙ Height of internal shelf	5 5/32"
Ⓚ Width of internal shelf	10"
Ⓛ Depth of internal shelf	3 11/16"
Ⓛ Height from front frame to flange	15/16"
Ⓜ Width from front frame to flange	1"
Ⓝ Width of handle	8"
Ⓞ Height of handle	1 3/16"
Ⓟ Depth of handle	1 3/16"
Ⓠ Height of door front	19 3/8"

Cutout Dimensions	in
Overall width of cutout	22"
Overall height of cutout	20"

IMPORTANT NOTE: This datasheet shows only the proud installation option. For full installation and clearance details please refer to our installation manual.

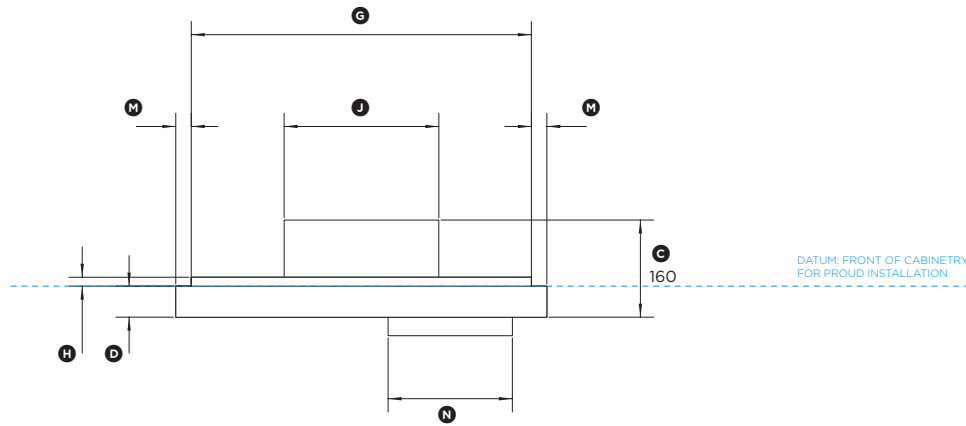
INDICATES CABINETRY / PRODUCT DATUM
INDICATES CUTOUT - - - - -

DATE: 31.08.2015

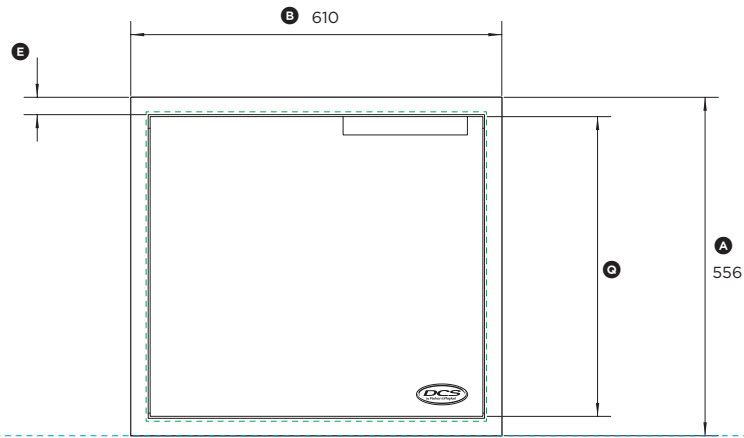
IMPORTANT NOTE: Throughout this guide, dimensions may vary by ±2mm (3/32"). Please read the installation manual for detailed information on installing the product. www.dcsappliances.com



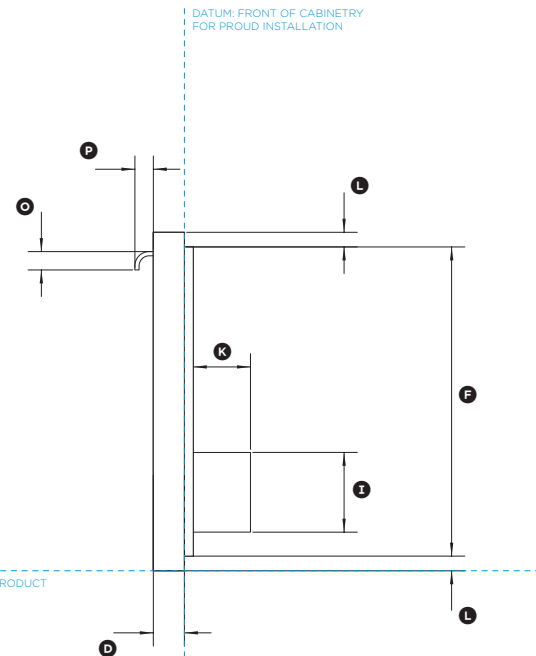
Data sheet



PLAN VIEW



FRONT VIEW



PROFILE VIEW



24" Access Door

Model no:

ADN24

(refer page 1 for imperial measurements)

Product Dimensions	mm
Ⓐ Overall height of product	556
Ⓑ Overall width of product	610
Ⓒ Overall depth of product including internal shelf (excluding handles)	160
Ⓓ Depth of front frame	51
Ⓔ Width of front frame	28
Ⓕ Height of frame insert	508
Ⓖ Width of frame insert	558
Ⓗ Depth of frame insert	15
Ⓘ Height of internal shelf	131
Ⓚ Width of internal shelf	254
Ⓛ Depth of internal shelf	94
Ⓛ Height from front frame to flange	24
Ⓜ Width from front frame to flange	25
Ⓝ Width of handle	204
Ⓞ Height of handle	30
Ⓟ Depth of handle	30
Ⓠ Height of door front	492

Cutout Dimensions	mm
Overall width of cutout	559
Overall height of cutout	508

IMPORTANT NOTE: This datasheet shows only the proud installation option. For full installation and clearance details please refer to our installation manual.

INDICATES CABINETRY / PRODUCT DATUM -----
INDICATES CUTOUT - - - - -

DATE: 31.08.2015

IMPORTANT NOTE: Throughout this guide, dimensions may vary by $\pm 2\text{mm}$ ($3/32''$). Please read the installation manual for detailed information on installing the product. www.dcsappliances.com

