



AD704050
Metal zinc plated
DN 150 flat

Planning notes

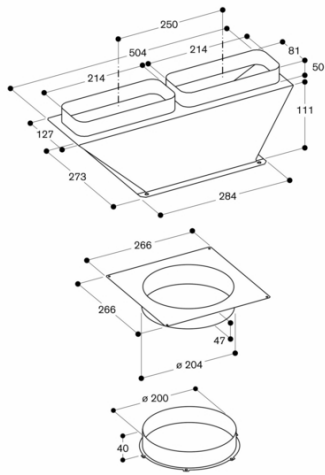
Color Variants

AD704050
DN 150 flat

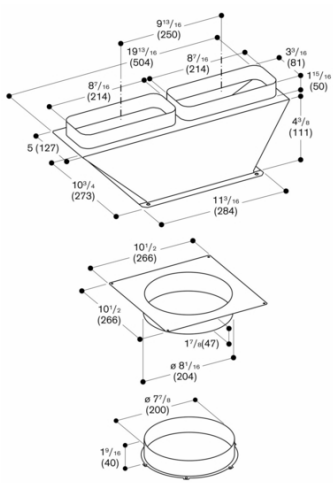
Product Features

Product group
Accessory
Brand
Gaggenau
Product name / series name
SKU
AD704050
Internal article number
000000000017006666
EAN code
4242006302665
Product packaging dimensions
(HxWxD)
Net weight
6.000
Gross weight
8.000
Quantity per packing unit
Standard number of units per pallet
16
UPC code
825225966753
Product image
18084515_AD704050_def.jpg

2023-05-08
Page 1



Measurements in mm



Measurements in inches (mm)