

THROUGH-THE-WALL AIR CONDITIONER

Use & Care Guide

For questions about features, operation/performance, parts, accessories or service call: **1-800-253-1301**.

In Canada, call for assistance **1-800-461-5681**, for installation and service, call: **1-800-807-6777**

or visit our website at... www.whirlpool.com
or...www.whirlpoolappliances.ca

CLIMATISEUR ENCASTRÉ DANS LE MUR

Guide d'utilisation et d'entretien

Au Canada, pour assistance composez le : **1-800-461-5681**, pour installation ou service, le : **1-800-807-6777**

ou visitez notre site web à... www.whirlpoolappliances.ca

Table of Contents/Table des matières 2

TABLE OF CONTENTS

AIR CONDITIONER SAFETY	2	AIR CONDITIONER USE	9
INSTALLATION REQUIREMENTS	3	Starting Your Air Conditioner	9
Tools and Parts	3	Changing Air Direction	12
Location Requirements	4	Normal Sounds.....	12
Electrical Requirements	4	AIR CONDITIONER CARE	12
INSTALLATION INSTRUCTIONS	5	Cleaning the Air Filter	12
Unpack the Air Conditioner.....	5	Cleaning the Front Panel.....	13
Before Installing Air Conditioner	5	Annual Maintenance.....	13
Install Air Conditioner in Existing Wall Sleeve	5	TROUBLESHOOTING	13
Plastic Grille Installation	6	ASSISTANCE OR SERVICE	14
Install Air Conditioner in New Wall Sleeve.....	7	In the U.S.A.	14
Complete Installation	8	In Canada	14
		WARRANTY	15

TABLE DES MATIÈRES

SÉCURITÉ DU CLIMATISEUR	17	UTILISATION DU CLIMATISEUR	24
EXIGENCES D'INSTALLATION	18	Mise en marche du climatiseur	24
Outils et pièces.....	18	Changement de direction de l'air	27
Exigences d'emplacement.....	19	Sons normaux	27
Spécifications électriques	19	ENTRETIEN DU CLIMATISEUR	27
INSTRUCTIONS D'INSTALLATION	20	Nettoyage du filtre à air	27
Déballage du climatiseur.....	20	Nettoyage du panneau avant.....	28
Avant l'installation du climatiseur	20	Entretien annuel.....	28
Installation du climatiseur dans une gaine murale existante.....	20	DÉPANNAGE	28
Installation de la grille de plastique.....	21	ASSISTANCE OU SERVICE	30
Installation du climatiseur dans une nouvelle gaine murale	22	Au Canada.....	30
Achever l'installation	23	GARANTIE	31



AIR CONDITIONER SAFETY

Your safety and the safety of others are very important.

We have provided many important safety messages in this manual and on your appliance. Always read and obey all safety messages.



This is the safety alert symbol.

This symbol alerts you to potential hazards that can kill or hurt you and others.

All safety messages will follow the safety alert symbol and either the word "DANGER" or "WARNING." These words mean:

⚠ DANGER

You can be killed or seriously injured if you don't immediately follow instructions.

⚠ WARNING

You can be killed or seriously injured if you don't follow instructions.

All safety messages will tell you what the potential hazard is, tell you how to reduce the chance of injury, and tell you what can happen if the instructions are not followed.

IMPORTANT SAFETY INSTRUCTIONS

WARNING: To reduce the risk of fire, electrical shock or injury when using your air conditioner, follow these basic precautions:

- Plug into a grounded 3 prong outlet.
- Do not use an extension cord.
- Do not remove ground prong.
- Unplug air conditioner before servicing.
- Do not use an adapter.
- Use two or more people to move and install air conditioner.

SAVE THESE INSTRUCTIONS

INSTALLATION REQUIREMENTS

Tools and Parts

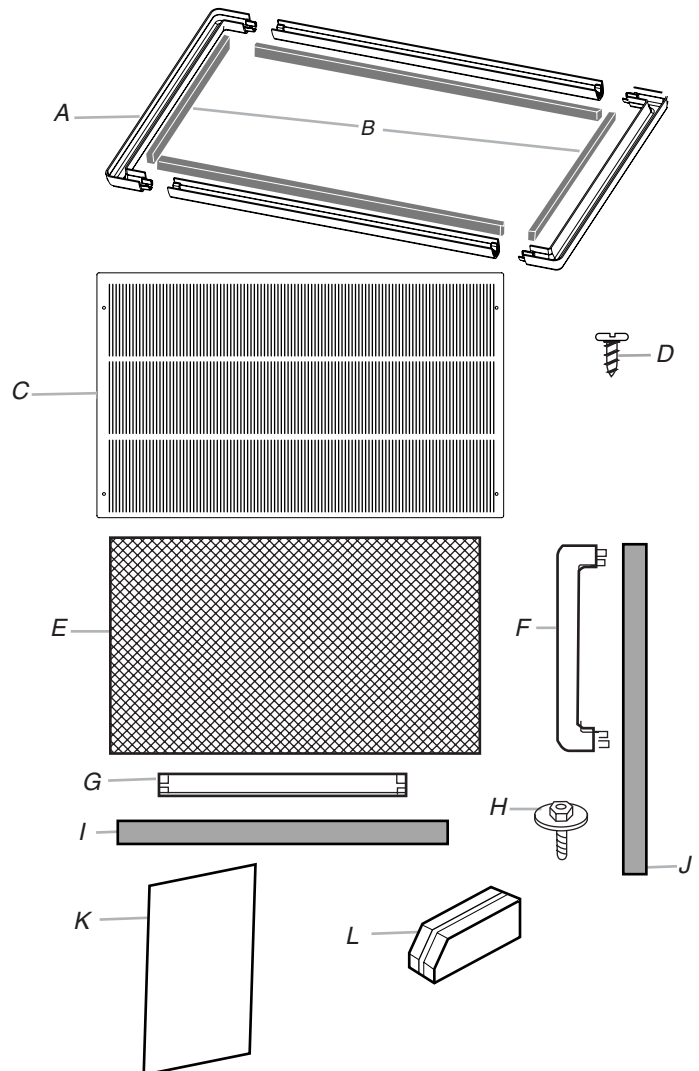
Gather the required tools and parts before starting installation. Read and follow the instructions provided with any tools listed here.

Tools needed

- Flat-blade and Phillips screwdrivers
- Pliers
- Level
- Tape measure
- Drill and 1/8" or smaller bit
- Utility knife
- Scissors

Parts supplied

Check that all parts are included in parts package.



- A. Narrow trim frames (4)
- B. Insulating foam seals (4)
- C. New grille
- D. #8 - 32 self-tapping screws (6)
- E. Plastic grille
- F. Universal side trim frames (3.1" wide) (2)

- G. Universal top/bottom trim frames (2.7" wide) (2)
- H. Screws with washers (4)
- I. Horizontal insulation strips (2)
- J. Vertical insulation strips (2)
- K. Baffle
- L. Support blocks (2)

Location Requirements

IMPORTANT: Observe all governing codes and ordinances. Check the location where the air conditioner will be installed. Proper installation is your responsibility. Make sure you have everything necessary for correct installation.

The location should provide:

- Grounded electrical outlet within 4 ft (122 cm) of where the power cord exits the air conditioner.

NOTE: Do not use an extension cord.

- Free movement of air in room to be cooled.
- A large enough opening for the air conditioner and sleeve (sold separately).
- Adequate wall support for weight of air conditioner.

Electrical Requirements

⚠ WARNING



Electrical Shock Hazard

Plug into a grounded 3 prong outlet.

Do not remove ground prong.


Do not use an adapter.

Do not use an extension cord.

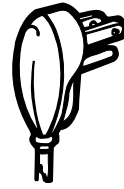
Failure to follow these instructions can result in death, fire, or electrical shock.

The electrical ratings for your air conditioner are listed on the model and serial number label. The model and serial number label is located behind the front panel on the front flange above the coil area.

Specific electrical requirements are listed in the chart below. Follow the requirements for the type of plug on the power supply cord.

Power supply cord	Wiring requirements
	<ul style="list-style-type: none"> ■ 115-volt (103.5 min. - 126.5 max.) ■ 0-7.5 amps ■ 15-amp time-delay fuse or circuit breaker ■ Use on single outlet circuit only.

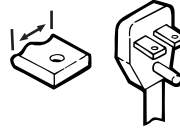
Power supply cord



Wiring requirements

- 115-volt (103.5 min. - 126.5 max.)
- 7.6-12 amps
- 15-amp time-delay fuse or circuit breaker
- Use on single outlet circuit only.

1/4"
(0.6 cm)



- 230/208 volt (197.6 min. - 253 max.)
- 0-12 amps
- 15-amp time-delay fuse or circuit breaker
- Use on single outlet circuit only.

Recommended ground method

This air conditioner must be grounded. This air conditioner is equipped with a power supply cord having a grounded 3 prong plug. To minimize possible shock hazard, the cord must be plugged into a mating, grounded 3 prong outlet, grounded in accordance with all local codes and ordinances. If a mating outlet is not available, it is the customer's responsibility to have a properly grounded 3 prong outlet installed by a qualified electrical installer.

It is the customer's responsibility:

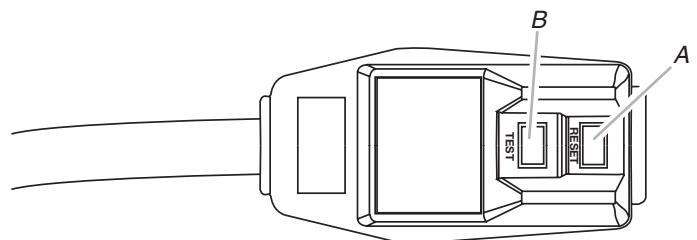
- To contact a qualified electrical installer.
- To assure that the electrical installation is adequate and in conformance with National Electrical Code, ANSI/NFPA 70 - latest edition, and all local codes and ordinances.

Copies of the standards listed may be obtained from:

National Fire Protection Association
One Batterymarch Park
Quincy, MA 02269

Power Supply Cord

NOTE: Your unit's device may differ from the one shown.



A. Reset button
B. Test button

This room air conditioner is equipped with a power supply cord required by UL. This power supply cord contains state-of-the-art electronics that sense leakage current. If the cord is crushed, the electronics detect leakage current and power will be disconnected in a fraction of a second.

⚠ WARNING



Electrical Shock Hazard

Plug into a grounded 3 prong outlet.

Do not remove ground prong.

Do not use an adapter.

Do not use an extension cord.

Failure to follow these instructions can result in death, fire, or electrical shock.

To test your power supply cord:

1. Plug power supply cord into a grounded 3 prong outlet.
2. Press RESET.
3. Press TEST (listen for click; Reset button will trip and pop out).
4. Press and release RESET (listen for click; Reset button will latch and remain in). The power supply cord is ready for operation.

NOTES:

- The Reset button must be pushed in for proper operation.
- The power supply cord must be replaced if it fails to trip when the test button is pressed or fails to reset.
- Do not use the power supply cord as an off/on switch. The power supply cord is designed as a protective device.
- A damaged power supply cord must be replaced with a new power supply cord obtained from the product manufacturer and must not be repaired.
- The power supply cord contains no user serviceable parts. Opening the tamper-resistant case voids all warranty and performance claims.

INSTALLATION INSTRUCTIONS

Unpack the Air Conditioner

⚠ WARNING

Excessive Weight Hazard

Use two or more people to move and install air conditioner.

Failure to do so can result in back or other injury.

Remove packaging materials

- Remove and properly dispose of packaging materials. Remove tape and glue residue from surfaces before turning on the air conditioner. Rub a small amount of liquid dish soap over the adhesive with your fingers. Wipe with warm water and dry.
- Do not use sharp instruments, rubbing alcohol, flammable fluids, or abrasive cleaners to remove tape or glue. These products can damage the surface of your air conditioner.
- Handle air conditioner gently.

Before Installing Air Conditioner

This air conditioner has been designed for installation through the wall in a sleeve. It is the responsibility and obligation of the customer to have this product installed by a qualified technician familiar with through-the-wall installation.

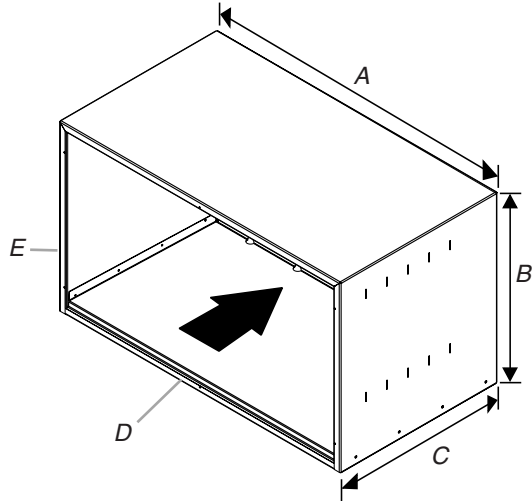
OR

If you choose to install the air conditioner yourself, read all installation instructions, as well as the electrical requirements and operating instructions, before installing your unit. This will help to avoid any installation problems and will help ensure trouble-free performance of your new air conditioner.

Install Air Conditioner in Existing Wall Sleeve

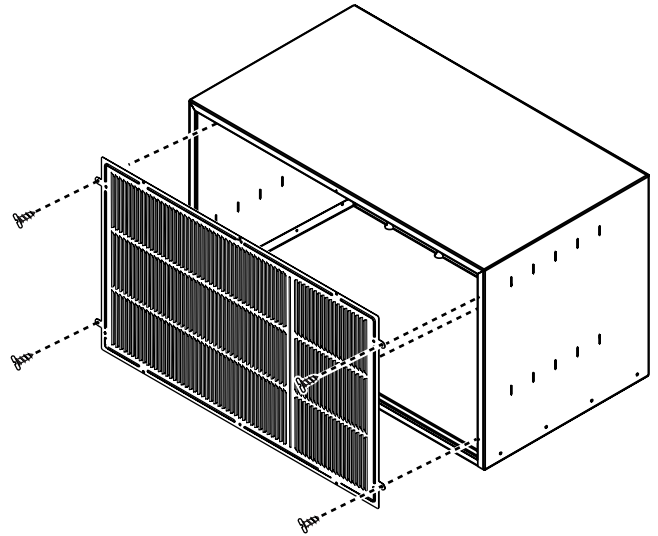
- Remove existing rear grille and install the new grille that came with your air conditioner.
NOTE: If the new rear grille is not installed in the existing wall sleeve, your air conditioner will not operate correctly and the warranty will be void.
- Handle air conditioner gently.
- Be sure your air conditioner does not fall out of the opening during installation or removal.
- The place where the power cord exits the air conditioner should be no more than 4 ft (122 cm) from a grounded outlet.
- Be sure the wall where the air conditioner will be installed will support the weight of the unit.
- Do not install the air conditioner where the plastic cabinet front will be exposed to a heat source that raises the surface temperature above 120°F (49°C).
- Do not block the louvers in the front panel.

1. Measure the existing wall sleeve.
2. See the section that matches the dimensions of the existing wall sleeve.



A. Width (W) D. Horizontal insulation strip
 B. Height (H) E. Vertical insulation strip
 C. Depth (D)

5. Attach the rear grille using #8 - 32 sheet metal screws (provided).



Insert the 4 - #8 - 32 sheet metal screws (provided) through the holes in the grille and into the wall sleeve.

Wall sleeve dimensions (W x H x D):
 25½" x 15¼" x 17½" (64.8 cm x 38.7 cm x 44.5 cm),
 25¾" x 16⅞" x 18⅝" (65.4 cm x 42.9 cm x 47.3 cm),
 25⅞" x 16½" x 17½" (65.7 cm x 41.9 cm x 44.5 cm) or
 26" x 15⅝" x 16⅞" (66 cm x 39.7 cm x 42.9 cm)

Wall sleeve dimensions:
 26¾" x 15¾" x 15" (68 cm x 40 cm x 38.1 cm),
 27" x 16¾" x 16¾" (68.6 cm x 42.6 cm x 42.6 cm), or
 27" x 16¾" x 19¾" (68.6 cm x 42.6 cm x 50.2 cm)

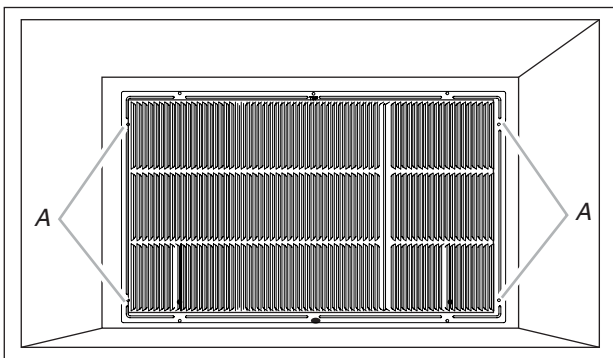
1. Remove the existing grille from the wall sleeve.
2. Remove all debris from inside the wall sleeve.
3. Insert new grille into wall sleeve.
NOTE: Make sure that the word "Top" is readable from inside the room.
4. Using the grille as a template, mark locations of 2 holes on each side of the wall sleeve. Drill ⅛" holes into the wall sleeve.

These sleeves require a larger rear grille and installation parts than the ones provided with this air conditioner. See your local supplier for a kit to fit this size wall sleeve.

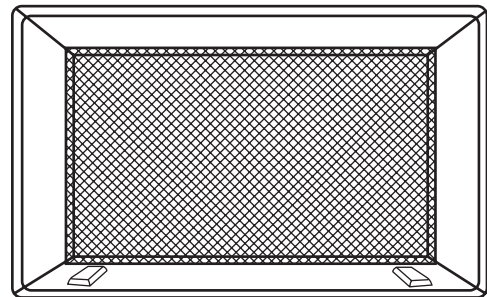
NOTE: If you install your new air conditioner into this size wall sleeve without using the kit, you will cause damage to your new air conditioner and the warranty will be void.

Plastic Grille Installation

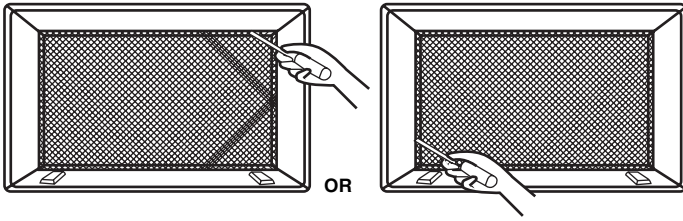
1. Cut the plastic grille 26½" (67.3 cm) wide and 15½" (39.4 cm) high.
2. Place the plastic grille inside the wall sleeve at the rear flange.



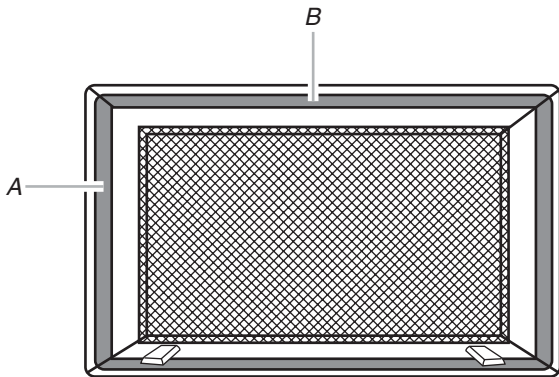
A. Drill ⅛" holes into the wall sleeve.



- If needed, drill $\frac{1}{8}$ " holes into the wall sleeve. Then fasten the grille to the wall sleeve with the screws with washers.

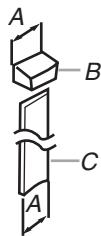


- If existing wall sleeve has insulation that does not need to be replaced, skip to Step 7. Otherwise, replace the insulation.
- Remove the backing from the horizontal insulation strip and attach it to the inside of the wall sleeve.
- Remove the backing from the vertical insulation strip and attach it to the inside front of the wall sleeve as shown below.



A. Vertical insulation strip
B. Horizontal insulation strip

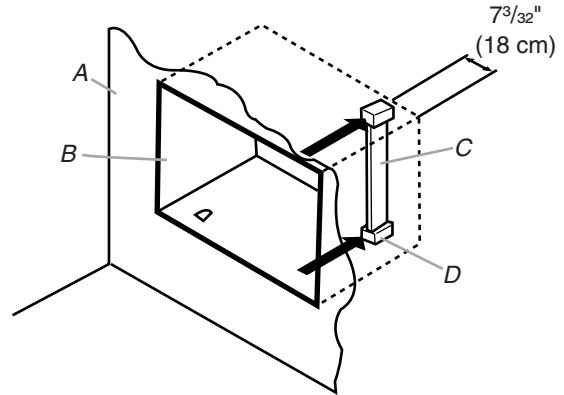
- If the depth of your existing sleeve is less than or equal to 18" (45.7 cm), go to Step 10. Otherwise, cut the baffle and support blocks according to the lengths in the following table.



A. Length (see chart below)
B. Support block
C. Baffle

Depth (D) of existing wall sleeve	Length (A)
18" (45.7 cm) < D < 18 $\frac{5}{8}$ " (47.3 cm)	$\frac{3}{4}$ " (1.9 cm)
18 $\frac{5}{8}$ " (47.3 cm) < D < 19 $\frac{3}{4}$ " (50.2 cm)	1 $\frac{3}{4}$ " (4.5 cm)
19 $\frac{3}{4}$ " (50.2 cm) < D < 22" (55.9 cm)	4" (10.2 cm)

- Slide the baffles into the slots of the support blocks.
- Slide the baffle and support block assemblies inside the wall sleeve as shown.



A. Wall
B. Front of wall sleeve
C. Baffle
D. Support block

- Install the air conditioner into the wall sleeve.
- The universal trim frame must be used with this wall sleeve assembly. To assemble the universal trim frame, see "Complete Installation."

Install Air Conditioner in New Wall Sleeve

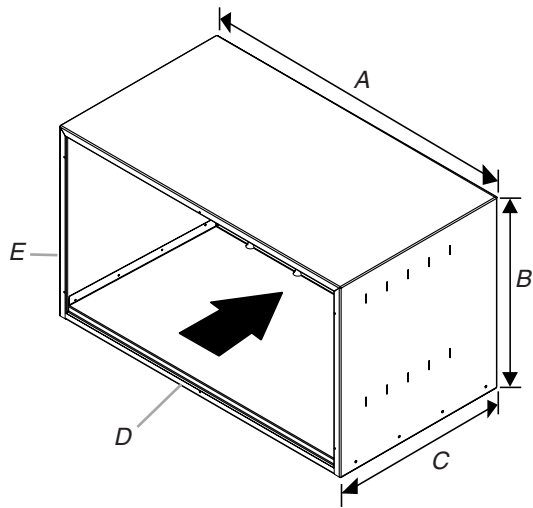
NOTE: Wall sleeve must be purchased separately.

⚠ WARNING

Excessive Weight Hazard
Use two or more people to move and install air conditioner.

Failure to do so can result in back or other injury.

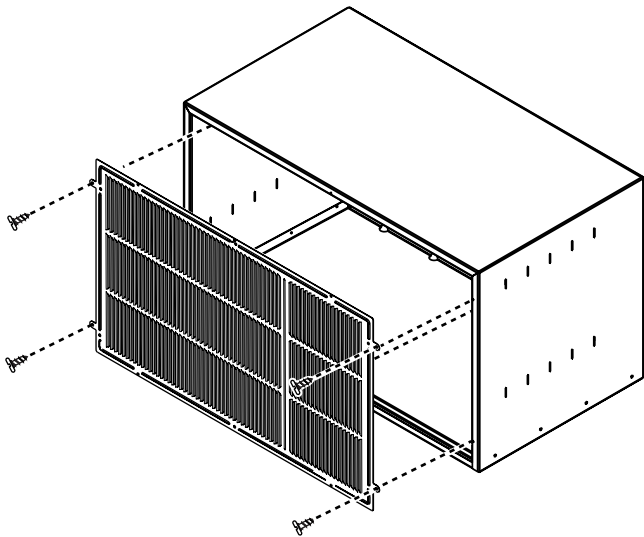
- Install the new grille that came with your air conditioner or new wall sleeve.
NOTE: If this grille is not installed in the wall sleeve, your air conditioner will not operate correctly and the warranty will be void.
- Handle air conditioner gently.
- Be sure your air conditioner does not fall out of the opening during installation or removal.
- The place where the power cord exits the air conditioner should be no more than 4 ft (122 cm) from a grounded outlet.
- Be sure the wall where the air conditioner will be installed will support the weight of the air conditioner.
- Do not install the air conditioner where the plastic cabinet front will be exposed to a heat source that raises the surface temperature above 120°F (49°C).
- Do not block the louvers in the front panel.



- A. Width (W)
- B. Height (H)
- C. Depth (D)
- D. Horizontal insulation strip
- E. Vertical insulation strip

Wall sleeve dimensions (W x H x D):
 $25\frac{7}{8}'' \times 15\frac{17}{32}'' \times 16\frac{23}{32}''$ (65.7 cm x 39.5 cm x 42.5 cm)

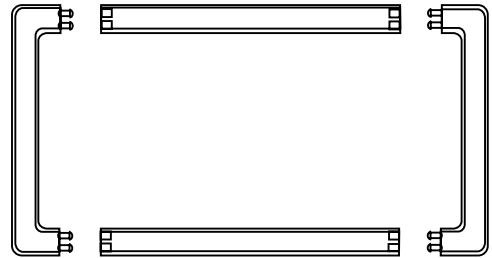
1. Remove the front and back covers from the new wall sleeve.
NOTE: Save the covers for future use to seal the wall sleeve if the air conditioner is removed.
2. See instructions provided with wall sleeve for complete installation of wall sleeve and grille.



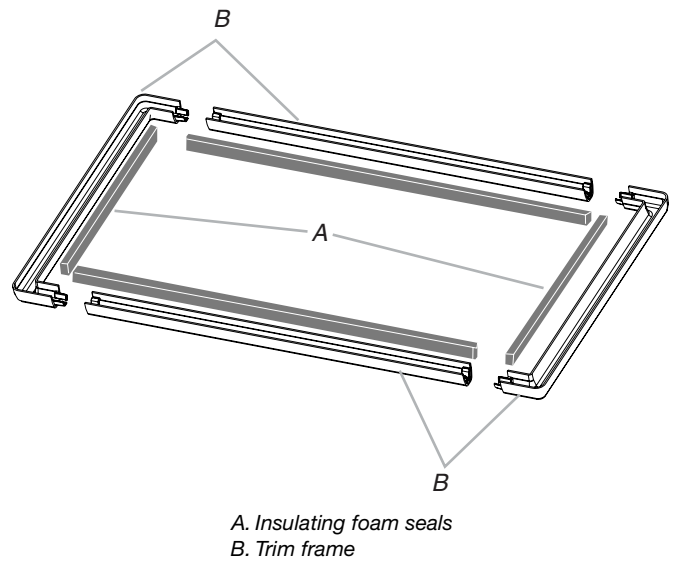
Insert the 4 - #8 - 32 sheet metal screws (provided) through the holes in the grille and into the wall sleeve.

Complete Installation

1. Assemble trim frame by laying the 4 frame pieces face down on a flat surface and snapping them securely together.

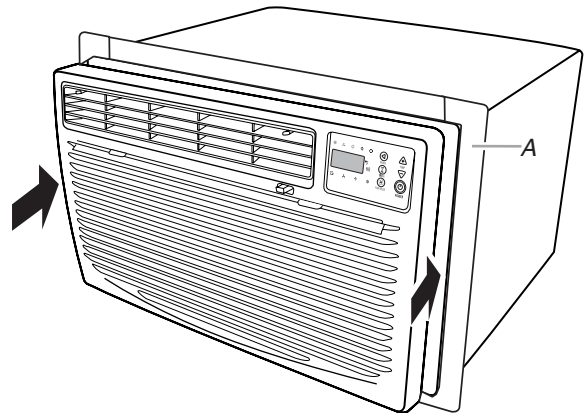


2. Install the $\frac{1}{8}''$ insulating foam around the inside edge of the trim frame. Begin in the bottom left corner and place the insulating foam around the entire inside of trim frame. Check to be sure foam is flush with the bottom edge of the trim frame.



- A. Insulating foam seals
- B. Trim frame

3. Slide the trim frame onto the air conditioner until the foam makes a seal with the wall sleeve.



A. Trim frame against wall sleeve

⚠️ WARNING



Electrical Shock Hazard

Plug into a grounded 3 prong outlet.

Do not remove ground prong.

Do not use an adapter.

Do not use an extension cord.

Failure to follow these instructions can result in death, fire, or electrical shock.

4. Plug into a grounded 3 prong outlet.
5. Press RESET on power supply cord.

AIR CONDITIONER USE

Operating your air conditioner properly helps you to obtain the best possible results.

This section explains proper air conditioner operation.

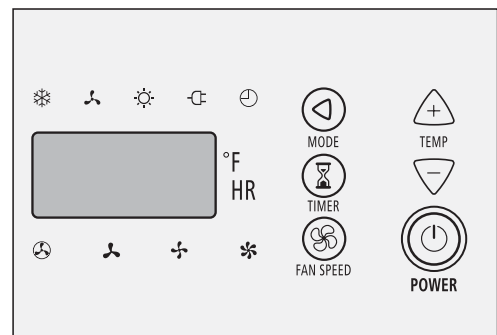
IMPORTANT:

- If you turn off the air conditioner, wait at least 3 minutes before turning it back on. This prevents the air conditioner from blowing a fuse or tripping a circuit breaker.
- Do not try to operate your air conditioner in the cooling mode when outside temperature is below 66°F (19°C). The inside evaporator coil will freeze up, and the air conditioner will not operate properly.

NOTES:

- In the event of a power failure, your air conditioner will operate at the previous settings when the power is restored.
- If the electronic control will not respond to touch pad or remote control commands, it is necessary to unplug the unit from the electrical outlet for 5 seconds before plugging back in.

Models with heat



1. Remove clear protective film from control panel.
2. Press POWER to turn on air conditioner.



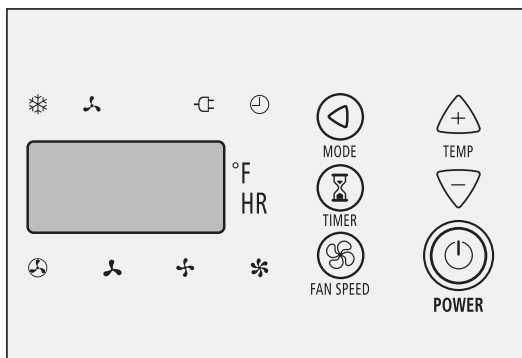
POWER

NOTE: When the air conditioner is turned on, it will display the previous settings for the mode, fan speed and temperature.

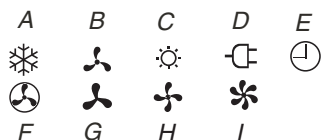
3. Choose mode. See “Mode.”
4. Choose fan speed. See “Fan Speed.”
5. Choose temperature. See “Temperature.”

Starting Your Air Conditioner

Models without heat



Display Symbols



A. Cool mode indicator light

B. Fan only mode indicator light

C. Heat indicator light (on some models)

D. Power Saver indicator light

E. Timer indicator light

F. Auto fan mode indicator light

G. Low fan mode indicator light

H. High fan mode indicator light

I. Turbo fan mode indicator light

Exhaust Air

The Exhaust Air feature allows the air conditioner to either recirculate inside air (CLOSED) or exhaust air to the outside (OPEN).

- **CLOSED**—used when maximum cooling is desired. It may also be used for air recirculation without cooling when the air conditioner is set to Fan mode.
- **OPEN**—removes stale air from the room and exhausts it to the outside.

NOTE: The OPEN or CLOSED position can be used with any mode selection.

Mode

1. Press MODE until you see the indicator light come on for the setting you desire.
2. Choose Cool, Heat (on some models), Fan Only or Power Saver.
 - **Cool**—Cools room. Press FAN SPEED to choose fan speed. Then adjust the temperature by pressing the plus or minus buttons.
 - **Heat (on some models)**—The unit will circulate and heat the air.
When heater is powered off, Low fan will automatically stay on and run for 30 seconds.
 - **Fan Only**—Operates the fan at Low, High or Turbo speed, without cooling. Display will show the current room temperature.
 - **Power Saver**—The fan will switch off whenever the compressor turns off in response to the set temperature. When the compressor cycles back on, the fan will return to the set fan speed.



Fan Speed

1. Press FAN SPEED until you see the indicator light come on for the setting you desire.
2. Choose Auto, Low, High or Turbo.

When Auto is selected, the fan speed will change automatically as the temperature in the room changes.

- 7° or more above the set temperature will use Turbo.
- 4° - 7° above the set temperature will use High.
- 4° or below the set temperature will use Low.



Temperature

Press the TEMP plus pad. Display shows the Temperature control setting. Each time you press or hold the plus button, the temperature will increase 1° until it reaches 88°F (31°C).

NOTE: After 3 seconds, display will show the set room temperature.



Press the TEMP minus pad. Display shows the Temperature control setting. Each time you press or hold the plus button, the temperature will decrease 1° until it reaches 66°F (19°C).

NOTE: After 3 seconds, display will show the set room temperature.

To change the temperature display from °F to °C

Press both pads at once to switch the display from °F to °C.

Timer Delay

To set Timer for a 0.5- to 24-hour delay before air conditioner turns Off (air conditioner must be On):

1. Press TIMER. Timer indicator light will remain on. Display will show remaining hours before air conditioner will turn off.



2. Press the plus or minus pad to change the delay time from 0.5 to 24 hours.
3. Press TIMER again or wait 10 seconds. Timer indicator light will remain on. Display will show remaining hours before air conditioner will turn off.
4. To turn Timer off, press TIMER again, or press POWER to turn off the air conditioner.

To set Timer to turn on air conditioner, keeping previous settings:

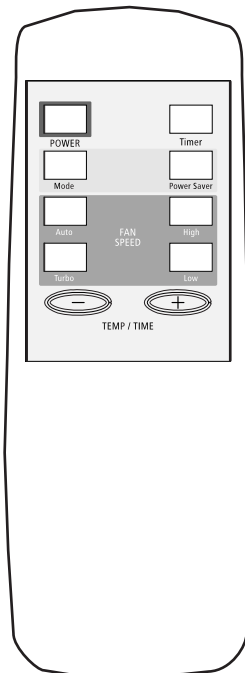
1. Turn off air conditioner.
2. Press TIMER. Timer indicator light will flash. Display will show remaining hours before air conditioner will turn off.
3. Press the plus or minus button to change delay time (0.5 to 24 hours).
4. Press TIMER again or wait 10 seconds. Timer indicator light will remain on.

To set the Timer delay for a 0.5- to 24-hour delay until the air conditioner turns on, changing the previous settings:

1. Turn on air conditioner.
2. Adjust Mode to Cool, Heat (on some models), Fan Only, or Power Saver.
3. Adjust Fan Speed to Auto, Turbo, High or Low.
4. Adjust temperature between 66°F (19°C) and 88°F (31°C).
5. Wait 3 seconds before turning off air conditioner.
6. Press TIMER. Timer indicator light will flash. Display will show remaining hours before air conditioner will turn on.
7. Press the plus or minus button to change delay time (0.5 to 24 hours).
8. Press TIMER again or wait 10 seconds. Timer indicator light will remain on. Display will show current room temperature.

To operate air conditioner with remote control

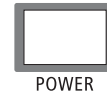
NOTE: Remote control may vary in appearance.



NOTE: Two AA batteries (included) power the remote control. Replace batteries after 6 months of use, or when the remote control starts to lose power.

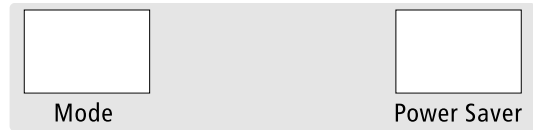
To turn the air conditioner on or off:

Press POWER.



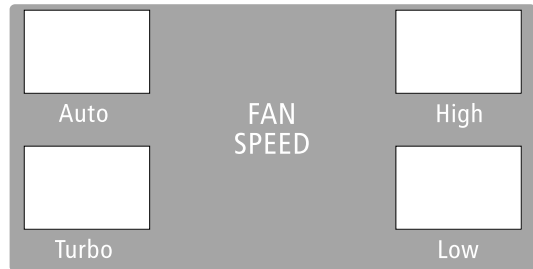
To select the mode:

1. Press MODE to choose Cool, Heat (on some models) or Fan Only.
2. Press POWER SAVER to choose Power Saver mode.
 - Cool, Heat (on some models), Fan Only or Power Saver—you can adjust the fan speed.



To select the fan speed:

Press AUTO, TURBO, HIGH or LOW.



To raise the temperature:

Press the plus button. Display on air conditioner shows the Temperature control setting. Each time you press or hold the plus button, the temperature will increase 1° until it reaches 88°F (31°C).

NOTE: After 3 seconds, display on air conditioner will show the set room temperature.



To lower the temperature:

Press the minus button. Display on air conditioner shows the Temperature control setting. Each time you press or hold the minus button, the temperature will decrease 1° until it reaches 66°F (19°C).

NOTE: After 3 seconds, display on air conditioner will show the set room temperature.



To set Timer for a 0.5- to 24-hour delay before air conditioner turns Off (air conditioner must be ON):

1. Press TIMER. Timer indicator light on air conditioner will flash. Display on air conditioner will show remaining hours before air conditioner will turn off.



2. Press the plus or minus pad to change the delay time (0.5 to 24 hours).
3. Press TIMER again or wait 10 seconds. Timer indicator light on air conditioner will remain on.

To set Timer to turn on air conditioner, keeping previous settings:

1. Turn off air conditioner.
2. Press TIMER. Timer indicator light on air conditioner will flash. Display on air conditioner will show remaining hours before air conditioner will turn off.
3. Press the plus or minus button to change delay time (0.5 to 24 hours).
4. Press TIMER again or wait 10 seconds. Timer indicator light on air conditioner will remain on.

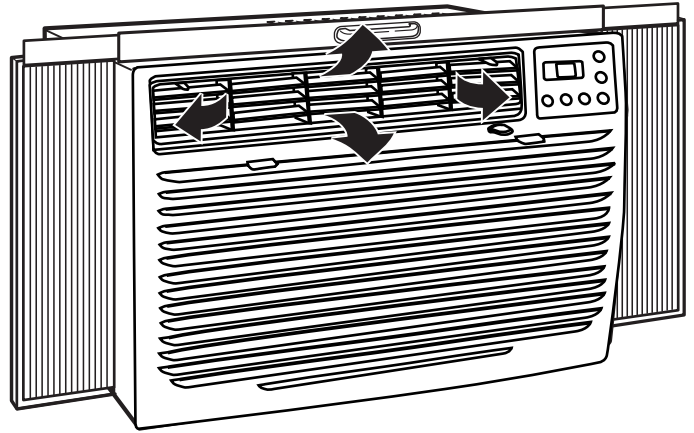
To set Timer to turn on air conditioner, changing the previous settings:

1. Turn on air conditioner.
2. Adjust Mode to Cool, Heat (on some models), Fan Only, or press POWER SAVER.
3. Adjust Fan Speed to Auto, Turbo, High or Low.
4. Adjust temperature between 66°F (19°C) and 88°F (31°C).
5. Wait 3 seconds before turning off air conditioner.
6. Press TIMER. Timer indicator light on air conditioner will flash. Display on air conditioner will show remaining hours before air conditioner will turn on.

7. Press the plus or minus button to change delay time (0.5 to 24 hours).
8. Press TIMER again or wait 10 seconds. Timer indicator light on air conditioner will remain on.

Changing Air Direction

Use the tabs to direct the air up, down, right, left or straight ahead.



Normal Sounds

When your air conditioner is operating normally, you may hear sounds such as:

- Droplets of water hitting the condenser, causing a pinging or clicking sound. The water droplets help cool the condenser.
- Air movement from the fan.
- Clicks from the thermostat cycle.
- Vibrations or noise due to poor wall or window construction.
- A high-pitched hum or pulsating noise caused by the modern high-efficiency compressor cycling on and off.

AIR CONDITIONER CARE

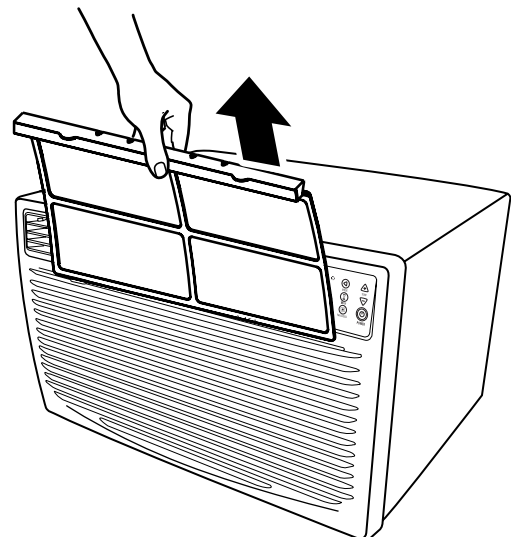
Your new air conditioner is designed to give you many years of dependable service. This section tells you how to clean and care for your air conditioner properly. Call your local authorized dealer for an annual checkup. Remember... the cost of this service call is your responsibility.

Cleaning the Air Filter

The air filter is removable for easy cleaning. A clean filter helps remove dust, lint, and other particles from the air and is important for best cooling and operating efficiency. Check the filter every 2 weeks to see whether it needs cleaning.

NOTE: Do not operate the air conditioner without the filter in place.

1. Turn off air conditioner.
2. Grasp air filter at tabs. Slide air filter up and out of filter slot.



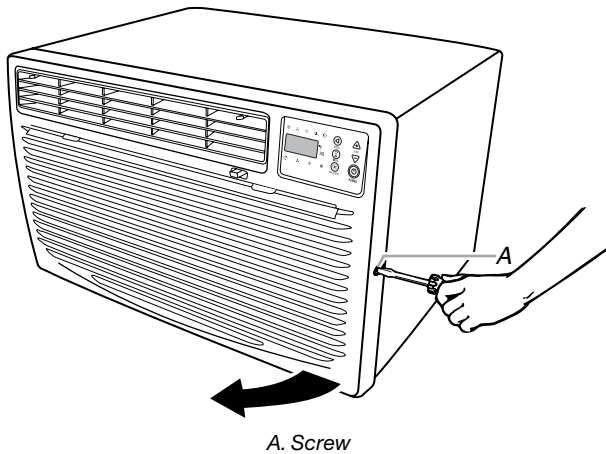
3. Use a vacuum cleaner to clean air filter. If air filter is very dirty, wash it in warm water with mild detergent. Do not wash air filter in the dishwasher or use any chemical cleaners.

NOTE: Air dry filter completely before replacing to ensure maximum efficiency.

4. Slide air filter down into filter slot.

Cleaning the Front Panel

1. Unplug air conditioner or disconnect power.
2. Remove the air filter and clean it separately. See “Cleaning the Air Filter.”
3. Remove the screws from both sides of the air conditioner cabinet.



4. Remove the front panel.
 5. Clean the front panel using a soft cloth with a mild detergent and warm water. Rinse with clear water and dry.
 6. Rinse the control panel and dry thoroughly with a soft, dry cloth.
 7. Replace the front panel. Replace screws.
 8. Plug in air conditioner or reconnect power.
-

Annual Maintenance

Your air conditioner needs annual maintenance to help ensure steady, top performance throughout the year. Call your local authorized dealer to schedule an annual checkup. The expense of an annual inspection is your responsibility.

TROUBLESHOOTING

You can solve many common air conditioner problems easily, saving you the cost of a service call. Try the suggestions below to see whether you can solve your problem without outside help.

Air conditioner will not operate

- **The power supply cord is unplugged.** Plug into grounded 3 prong outlet. See “Electrical Requirements.”
- **The power supply cord has tripped (Reset button has popped out).** Press and release RESET (listen for click; Reset button will latch and remain in) to resume operation.
- **A household fuse has blown, or a circuit breaker has tripped.** Replace the fuse or reset the circuit breaker. See “Electrical Requirements.”
- **The Power button has not been pressed.** Press POWER.
- **The local power has failed.** Wait for power to be restored.

Air conditioner blows fuses or trips circuit breakers

- **Too many appliances are being used on the same circuit.** Unplug or relocate appliances that share the same circuit.
- **Time-delay fuse or circuit breaker of the wrong capacity is being used.** Replace with a time-delay fuse or circuit breaker of the correct capacity. See “Electrical Requirements.”
- **An extension cord is being used.** Do not use an extension cord with this or any other appliance.
- **You are trying to restart the air conditioner too soon after turning off the unit.** Wait at least 3 minutes after turning off the unit before trying to restart the air conditioner.

Air conditioner power supply cord trips (Reset button pops out)

- **Disturbances in your electrical current can trip (Reset button will pop out) the power supply cord.** Press and release RESET (listen for click; Reset button will latch and remain in) to resume operation.
- **An electrical overloading, overheating, pinching or aging can trip (Reset button will pop out) the power supply cord.** After correcting the problem, press and release RESET (listen for click; Reset button will latch and remain in) to resume operation.

NOTE: A damaged power supply cord must be replaced with a new power supply cord obtained from the product manufacturer and must not be repaired.

Air conditioner seems to run too much

- **The current air conditioner replaced an older model.** The use of more efficient components may cause the air conditioner to run longer than an older model, but the total energy consumption will be less. Newer air conditioners do not emit the “blast” of cold air you may be accustomed to from older units, but this is not an indication of lesser cooling capacity or efficiency. Refer to the efficiency rating (EER) and capacity rating (in BTU/hr.) marked on the air conditioner.
- **The air conditioner is in a heavily occupied room, or heat-producing appliances are in use in the room.** Use exhaust vent fans while cooking or bathing and try not to use heat-producing appliances during the hottest part of the day. A higher capacity air conditioner may be required, depending on the size of the room being cooled.

Air conditioner cycles on and off too much

- **The Mode is set to Power Saver.** Use Power Saver only when you are asleep or away from home. Use Cool and a higher fan setting for your best comfort.
- **The air conditioner is not properly sized for your room.** Check the cooling capabilities of your room air conditioner. Room air conditioners are not designed to cool multiple rooms.
- **The filter is dirty or obstructed by debris.** Clean the filter.
- **There is excessive heat or moisture (open container cooking, showers, etc.) in the room.** Use a fan to exhaust heat or moisture from the room. Try not to use heat-producing appliances during the hottest part of the day.
- **The louvers are blocked.** Install the air conditioner in a location where the louvers are free from curtains, blinds, furniture, etc.
- **The outside temperature is below 66°F (19°C).** Do not try to operate your air conditioner in the cooling mode when the outside temperature is below 66°F (19°C).
- **The temperature of the room you are trying to cool is extremely hot.** Allow extra time for the air conditioner to cool off a very hot room.
- **Windows or doors to the outside are open.** Close all windows and doors.

- **The Air Exchanger is set to OPEN (on some models).** Set the Exhaust control to CLOSED for maximum cooling and/or heating.
- **Temperature control is not at a cool enough setting.** Adjust the Temperature control to a cooler setting. Press the TEMP minus pad to reduce the temperature by 1° until it reaches 66°F (19°C). Set the Fan Speed control to High or Turbo (on some models).

Water drips from cabinet into your house

- **The air conditioner is not properly leveled.** The air conditioner should slope slightly downward toward the outside. Level the air conditioner to provide a downward slope toward the outside to ensure proper drainage. See the Installation Instructions.
NOTE: Do not drill a hole in the bottom of the metal base and condensate pan.

Air conditioner cooling, but room is too warm—Ice forming on cooling coil behind intake grille

- **The outside temperature is below 66°F (19°C).** Do not try to operate your air conditioner in the cooling mode when the outside temperature is below 66°F (19°C).
- **The filter is dirty or obstructed by debris.** Clean the filter.

ASSISTANCE OR SERVICE

Before calling for assistance or service, please check “Troubleshooting.” It may save you the cost of a service call. If you still need help, follow the instructions below.

When calling, please know the purchase date and the complete model and serial number of your appliance. This information will help us to better respond to your request.

If you need replacement parts

If you need to order replacement parts, we recommend that you use only FSP® replacement parts. FSP® replacement parts will fit right and work right because they are made with the same precision used to build every new WHIRLPOOL® appliance.

To locate FSP® replacement parts in your area, call us or your nearest Whirlpool designated service center.

In the U.S.A.

Call the Whirlpool Customer eXperience Center toll free: **1-800-253-1301**.

Our consultants provide assistance with:

- Features and specifications on our full line of appliances.
- Installation information.
- Use and maintenance procedures.
- Accessory and repair parts sales.
- Specialized customer assistance (Spanish speaking, hearing impaired, limited vision, etc.).
- Referrals to local dealers, repair parts distributors, and service companies. Whirlpool designated service technicians are trained to fulfill the product warranty and provide after-warranty service, anywhere in the United States.

To locate the Whirlpool designated service company in your area, you can also look in your telephone directory Yellow Pages.

For further assistance

If you need further assistance, you can write to Whirlpool Corporation with any questions or concerns at:

Whirlpool Brand Home Appliances
Customer eXperience Center
553 Benson Road
Benton Harbor, MI 49022-2692

Please include a daytime phone number in your correspondence.

In Canada

For product related questions, please call the Whirlpool Canada LP Customer Interaction Centre toll free:

1-800-461-5681

Monday to Friday 8:00 a.m. - 6:00 p.m. (EST).

Saturday 8:30 a.m. - 4:30 p.m. (EST).

Our consultants provide assistance with:

- Features and specifications on our full line of appliances.
- Referrals to local dealers.

For parts, accessories and service in Canada

Call **1-800-807-6777**. Whirlpool Canada LP designated service technicians are trained to fulfill the product warranty and provide after-warranty service, anywhere in Canada.

For further assistance

If you need further assistance, you can write to Whirlpool Canada LP with any questions or concerns at:

Customer Interaction Centre
Whirlpool Canada LP
1901 Minnesota Court
Mississauga, Ontario L5N 3A7

Please include a daytime phone number in your correspondence.

WHIRLPOOL® AIR CONDITIONER WARRANTY

FIVE YEAR FULL WARRANTY

For five years from the date of purchase, when this air conditioner (excluding air filter) is installed, operated and maintained according to instructions attached to or furnished with the product, we at Whirlpool Corporation or Whirlpool Canada LP will repair or replace the product at our discretion to correct defects in materials or workmanship in the mechanical or electrical controls and in the sealed refrigeration system, including the compressor, evaporator, condenser, dry-strainer and connection tubing. Service must be provided by a Whirlpool designated service company.

30 DAY LIMITED WARRANTY ON AIR FILTER

For 30 days from date of purchase, when this air conditioner is operated and maintained according to instructions attached to or furnished with the product, Whirlpool Corporation or Whirlpool Canada LP will pay for replacement air filter to correct defects in materials or workmanship.

Whirlpool Corporation or Whirlpool Canada LP will not pay for:

1. Service calls to correct the installation of your air conditioner, instruct you on how to use your air conditioner, to replace house fuses or correct house wiring or reset circuit breakers, or to clean or replace owner accessible air filters.
2. Repairs when your air conditioner is used in other than normal, single-family household use.
3. Damage resulting from accident, alteration, misuse, abuse, fire, floods, acts of God, improper installation not in accordance with local electrical and plumbing codes, or use of products not approved by Whirlpool Corporation or Whirlpool Canada LP.
4. Replacement parts or repair labor costs for units operated outside the United States or Canada.
5. Pickup and delivery. Your air conditioner is designed to be repaired in the home.
6. The removal and reinstallation of your air conditioner if it is installed in an overhead or other inaccessible location or is not installed in accordance with published installation instructions.
7. Repairs to parts or systems resulting from unauthorized modifications made to the appliance.
8. In Canada, travel or transportation expenses for customers who reside in remote areas.

WHIRLPOOL CORPORATION OR WHIRLPOOL CANADA LP SHALL NOT BE LIABLE FOR INCIDENTAL OR CONSEQUENTIAL DAMAGES.

Some states and provinces do not allow the exclusion or limitation of incidental or consequential damages, so this exclusion or limitation may not apply to you. This warranty gives you specific legal rights and you may also have other rights which vary from state to state and province to province.

Outside the 50 United States and Canada, this warranty does not apply. Contact your authorized Whirlpool dealer to determine if another warranty applies.

If you need service, first see "Troubleshooting." Additional help can be found by checking "Assistance or Service," or by calling our Customer eXperience Center at **1-800-253-1301**, from anywhere in the U.S.A. or write: Whirlpool Corporation, Customer eXperience Center, 553 Benson Road, Benton Harbor, MI 49022-2692.

For service in Canada, call **1-800-807-6777**. Whirlpool Canada LP designated service technicians are trained to fulfill the product warranty and provide after-warranty service, anywhere in Canada. If you need further assistance, you can write to Whirlpool Canada LP with any questions or concerns at: Customer Interaction Centre, Whirlpool Canada LP, 1901 Minnesota Court, Mississauga, Ontario L5N 3A7. Please include a daytime phone number in your correspondence.

11/04

Keep this warranty and your sales slip together for future reference. You must provide proof of purchase or installation date for in-warranty service.

Write down the following information about your air conditioner to better help you obtain assistance or service if you ever need it. You will need to know your complete model number and serial number.

Dealer name _____

Address _____

Phone number _____

Model number _____

Serial number _____

Purchase date _____

Notes

SÉCURITÉ DU CLIMATISEUR

Votre sécurité et celle des autres est très importante.

Nous donnons de nombreux messages de sécurité importants dans ce manuel et sur votre appareil ménager. Assurez-vous de toujours lire tous les messages de sécurité et de vous y conformer.



Voici le symbole d'alerte de sécurité.

Ce symbole d'alerte de sécurité vous signale les dangers potentiels de décès et de blessures graves à vous et à d'autres.

Tous les messages de sécurité suivront le symbole d'alerte de sécurité et le mot "DANGER" ou "AVERTISSEMENT". Ces mots signifient :

⚠ DANGER

Risque possible de décès ou de blessure grave si vous ne suivez pas immédiatement les instructions.

⚠ AVERTISSEMENT

Risque possible de décès ou de blessure grave si vous ne suivez pas les instructions.

Tous les messages de sécurité vous diront quel est le danger potentiel et vous disent comment réduire le risque de blessure et ce qui peut se produire en cas de non-respect des instructions.

IMPORTANTES INSTRUCTIONS DE SÉCURITÉ

AVERTISSEMENT : Pour réduire les risques d'incendie, de choc électrique ou des blessures lors de l'utilisation du climatiseur, prendre quelques précautions fondamentales, y compris les suivantes :

- Brancher l'appareil sur une prise à 3 alvéoles reliée à la terre.
- Ne pas utiliser un câble de rallonge.
- Ne pas enlever la broche de liaison à la terre.
- Débrancher le climatiseur avant l'entretien.
- Ne pas utiliser un adaptateur.
- Utiliser deux ou plus de personnes pour déplacer et installer le climatiseur.

CONSERVEZ CES INSTRUCTIONS

EXIGENCES D'INSTALLATION

Outillage et pièces

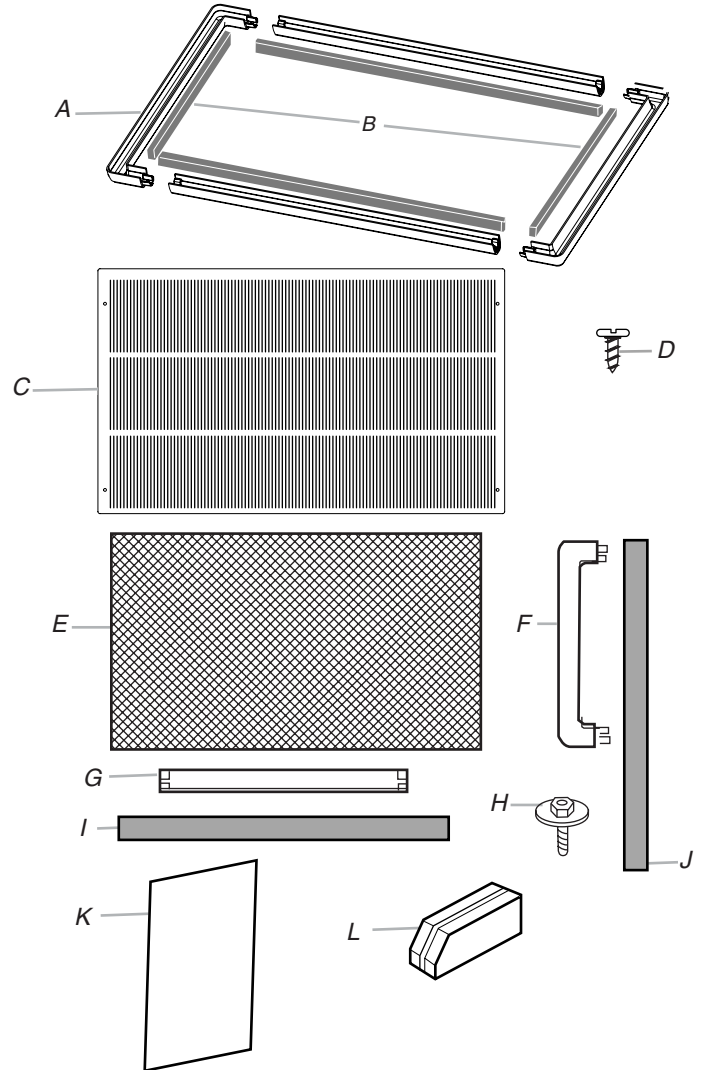
Rassembler les outils et pièces nécessaires avant de commencer l'installation. Lire et suivre les instructions fournies avec les outils indiqués ici.

Outils nécessaires

- Tournevis Phillips et tournevis à lame plate
- Pince
- Niveau
- Mètre-ruban
- Perceuse et foret de 1/8" ou plus petit
- Couteau tout usage
- Ciseaux

Pièces fournies

Vérifier que toutes les pièces sont présentes dans le sachet de pièces.



A. Tringles de garniture étroite (4)

B. Joints de mousse isolante (4)

C. Nouvelle grille

D. Vis autotaraudantes N° 8 - 32 (6)

E. Grille de plastique

F. Tringle latérale du cadre de garniture universel (largeur 3,1") (2)

G. Tringle du cadre de garniture universel (haut et bas) (largeur 2,7") (2)

H. Vis avec rondelle (4)

I. Tige d'isolant pour composants horizontaux (2)

J. Tige d'isolant pour composants verticaux (2)

K. Plaque de séparation

L. Cale de soutien en polystyrène (2)

Exigences d'emplacement

IMPORTANT : Respecter tous les codes et règlements en vigueur.

Inspecter l'emplacement où le climatiseur sera installé. C'est à l'utilisateur qu'incombe la responsabilité d'assurer une installation correcte. S'assurer d'avoir tout le nécessaire pour une installation correcte.

L'emplacement d'installation doit disposer de :

- Une prise électrique avec liaison à la terre située à moins de 4 pi (122 cm) de la sortie du cordon d'alimentation du climatiseur.

REMARQUE : Ne pas utiliser de cordon de rallonge.

- Une circulation libre de l'air jusqu'aux pièces à refroidir.
- Une ouverture de taille suffisante pour le climatiseur et la gaine murale (vendue séparément).
- Un support mural adéquat pour le poids du climatiseur.

Spécifications électriques

⚠ AVERTISSEMENT



Risque de choc électrique

Brancher sur une prise à 3 alvéoles reliée à la terre.

Ne pas enlever la broche de liaison à la terre.


Ne pas utiliser un adaptateur.

Ne pas utiliser un câble de rallonge.

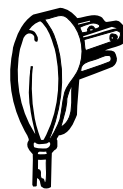
Le non-respect de ces instructions peut causer un décès, un incendie ou un choc électrique.

Les caractéristiques électriques du climatiseur sont indiquées sur la plaque signalétique. La plaque signalétique est située derrière le panneau avant sur la bride avant au-dessus du serpent.

Les exigences électriques spécifiques sont indiquées dans le tableau ci-dessous. Suivre les recommandations pour le type de prise électrique indiquées sur le cordon d'alimentation.

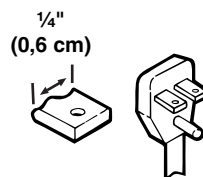
Cordon électrique	Spécifications du câblage
	■ 115 volts (103,5 min. - 126,5 max.)
	■ 0-7,5 ampères
	■ Fusible temporisé 15 ampères ou disjoncteur
	■ Alimenter le climatiseur uniquement à partir d'un circuit qui n'alimente que cet appareil.

Cordon électrique



Spécifications du câblage

- 115 volts (103,5 min. - 126,5 max.)
- 7,6-12 ampères
- Fusible temporisé 15 ampères ou disjoncteur
- Alimenter le climatiseur uniquement à partir d'un circuit qui n'alimente que cet appareil.



- 230/208 volts (197,6 min. - 253 max.)
- 0-12 ampères
- Fusible temporisé 15 ampères ou disjoncteur
- Alimenter le climatiseur uniquement à partir d'un circuit qui n'alimente que cet appareil.

Méthode recommandée de liaison à la terre

Ce climatiseur doit être relié à la terre. Ce climatiseur est équipé d'un cordon d'alimentation électrique à trois broches pour la liaison à la terre. Pour minimiser les risques de choc électrique, on doit brancher le cordon sur une prise de courant de configuration correspondante, à 3 alvéoles, reliée à la terre et installée conformément à tous les codes et règlements locaux. Si une prise de courant compatible n'est pas disponible, c'est au client qu'incombe la responsabilité de faire installer une prise de courant à 3 alvéoles convenablement reliée à la terre, par un électricien qualifié.

C'est au client qu'incombe la responsabilité de :

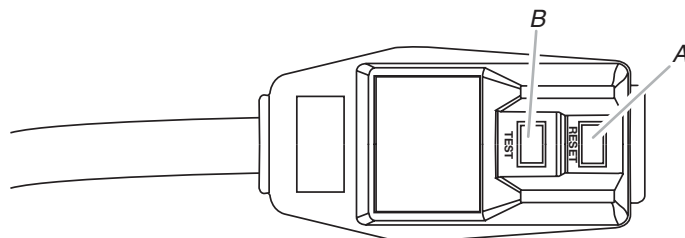
- Contacter un électricien qualifié.
- Veiller à ce que l'installation électrique soit réalisée de façon adéquate et en conformité avec le code national de l'électricité, ANSI/NFPA 70 - dernière édition, et tous les codes et règlements locaux en vigueur.

On peut obtenir des exemplaires des normes mentionnées à l'adresse suivante :

National Fire Protection Association
One Batterymarch Park
Quincy, MA 02269

Cordon d'alimentation

REMARQUE : Votre appareil peut différer de celui qui est illustré.



A. Bouton Reset (réinitialisation)
B. Bouton Test

Ce climatiseur de pièce est équipé d'un cordon d'alimentation conforme aux exigences de UL. Ce cordon d'alimentation comporte des circuits électroniques d'avant-garde détectant les courants de fuite. En cas d'écrasement du cordon d'alimentation, les circuits électroniques détectent les courants de fuite et l'alimentation est interrompue en une fraction de seconde.

⚠ AVERTISSEMENT



Risque de choc électrique

Brancher sur une prise à 3 alvéoles reliée à la terre.

Ne pas enlever la broche de liaison à la terre.

Ne pas utiliser un adaptateur.

Ne pas utiliser un câble de rallonge.

Le non-respect de ces instructions peut causer un décès, un incendie ou un choc électrique.

Pour tester le cordon d'alimentation :

1. Brancher le cordon d'alimentation dans une prise à 3 alvéoles reliée à la terre.
2. Appuyer sur RESET (réinitialisation).
3. Appuyer sur TEST (un déclic se fait entendre, le bouton Reset se déclenche et ressort).
4. Appuyer sur le bouton RESET et le relâcher (un déclic se fait entendre, le bouton Reset s'enclenche et reste enfoncé). Le cordon d'alimentation est prêt à être utilisé.

REMARQUES :

- Le bouton Reset (réinitialisation) doit être enfoncé pour une utilisation correcte.
- Le cordon d'alimentation doit être remplacé s'il ne se déclenche pas lorsqu'on appuie sur le bouton de test ou si l'appareil n'est pas réinitialisé.
- Ne pas utiliser le cordon d'alimentation comme interrupteur. Le cordon d'alimentation est conçu pour remplir les fonctions de dispositif de protection.
- Un cordon d'alimentation endommagé doit être remplacé par un nouveau cordon d'alimentation obtenu auprès du fabricant et ne doit pas être réparé.
- Le cordon d'alimentation ne comprend aucune pièce utilisable. Ouvrir le boîtier inviolable annule toute garantie et réclamation pour mauvaise performance.

INSTRUCTIONS D'INSTALLATION

Déballage du climatiseur

⚠ AVERTISSEMENT

Risque du poids excessif

Utiliser deux ou plus de personnes pour déplacer et installer le climatiseur.

Le non-respect de cette instruction peut causer une blessure au dos ou d'autre blessure.

Enlèvement des matériaux d'emballage

- Enlever et jeter de façon appropriée les matériaux d'emballage. Enlever tout résidu de ruban adhésif et de colle des surfaces avant de mettre le climatiseur en marche. Frotter une petite quantité de savon liquide à vaisselle sur l'adhésif avec les doigts. Rincer à l'eau tiède et sécher.
- Ne pas utiliser d'instruments coupants, d'alcool à friction, de liquides inflammables ou de nettoyants abrasifs pour enlever le ruban adhésif ou la colle. Ces produits peuvent endommager la surface de votre climatiseur.
- Manipuler le climatiseur délicatement.

Avant l'installation du climatiseur

Ce climatiseur est conçu pour l'installation dans une gaine murale. C'est à l'acquéreur qu'incombe l'obligation et la responsabilité de faire installer ce produit par un technicien qualifié, connaissant les exigences de l'installation dans une gaine murale.

OU

Pour une installation par l'acquéreur, lire toutes les instructions d'installation, ainsi que les spécifications électriques et les instructions d'utilisation du produit, avant d'entreprendre l'installation; ceci permettra d'éviter des problèmes durant l'installation et garantira une performance fiable du nouveau climatiseur.

Installation du climatiseur dans une gaine murale existante

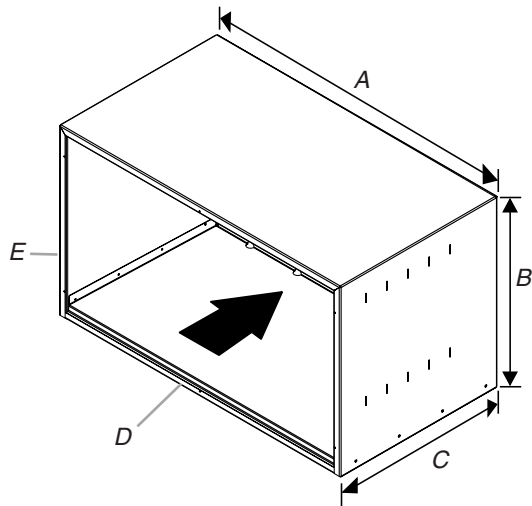
- Enlever la grille arrière existante; installer la nouvelle grille fournie avec le climatiseur.

REMARQUE : Si la nouvelle grille arrière n'est pas installée dans la gaine murale existante, le climatiseur ne pourra pas fonctionner correctement, et la garantie ne pourra être honorée.

- Manipuler le climatiseur délicatement.
- S'assurer que le climatiseur ne tombe pas de l'ouverture lors de l'installation ou de la dépose.

- L'endroit où le cordon d'alimentation sort du climatiseur doit être placé à moins de 4 pi (122 cm) d'une prise reliée à la terre.
- Le mur où le climatiseur sera installé doit pouvoir supporter le poids de l'appareil.
- Ne pas installer le climatiseur dans un endroit où l'avant de la caisse de plastique serait exposé à une source de chaleur portant la température de la surface à plus de 120°F (49°C).
- Ne pas bloquer les persiennes sur le panneau avant.

1. Mesurer la gaine murale existante.
2. Voir la section qui correspond aux dimensions de la gaine murale existante.

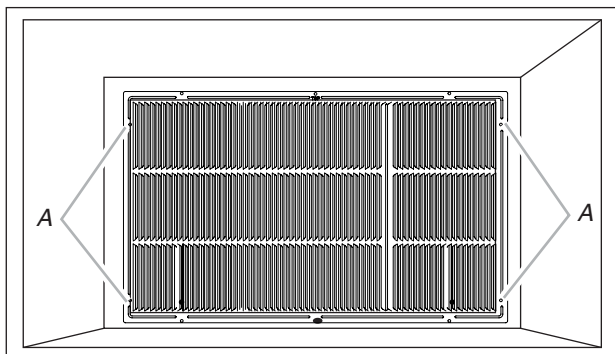


A. Largeur (L) D. Tige d'isolant pour composants horizontaux
 B. Hauteur (H) E. Tige d'isolant pour composants verticaux
 C. Profondeur (P)

Gaine murale de (L x H x P) :

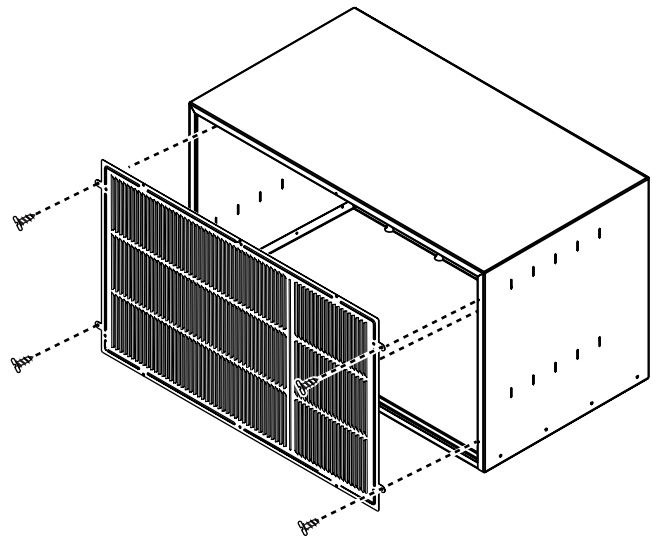
25½" x 15¼" x 17½" (64,8 cm x 38,7 cm x 44,5 cm),
 25¾" x 16⅞" x 18⅝" (65,4 cm x 42,9 cm x 47,3 cm),
 25⅞" x 16½" x 17½" (65,7 cm x 41,9 cm x 44,5 cm) ou
 26" x 15⅝" x 16⅞" (66 cm x 39,7 cm x 42,9 cm)

1. Retirer la grille existante de la gaine murale.
2. Enlever tous les débris à l'intérieur de la gaine murale.
3. Insérer la nouvelle grille dans la gaine murale.
REMARQUE : Veiller à ce que le mot "Top" (sommet) soit lisible depuis l'intérieur de la pièce.
4. Utiliser la grille comme un gabarit; marquer l'emplacement des 2 trous de chaque côté de la gaine murale. Percer des trous de ⅛" dans la gaine murale.



A. Percer des trous de ⅛" dans la gaine murale.

5. Fixer la grille arrière à l'aide des vis à tôle n° 8 - 32 (fournies).



Insérer les 4 vis à tôle n° 8 - 32 (fournies) dans les trous de la grille et dans la gaine murale.

6. S'il n'est pas nécessaire de remplacer l'isolant sur la gaine murale existante, passer à l'étape 9. Sinon, remplacer l'isolant.
7. Enlever l'endos de la tige d'isolant de la tringle horizontale; apposer l'isolant sur la face interne de la gaine murale, au sommet et en bas.
8. Enlever l'endos de la tige d'isolant de la tringle verticale; apposer l'isolant sur les côtés de la gaine murale, à l'intérieur et à l'avant.
9. Installer le climatiseur dans la gaine murale.

Gaine murale de :

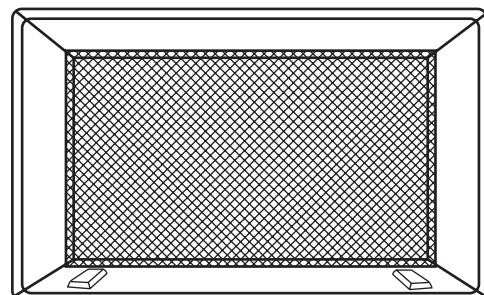
26¾" x 15¾" x 15" (68 cm x 40 cm x 38,1 cm),
 27" x 16¾" x 16¾" (68,6 cm x 42,6 cm x 42,6 cm), ou
 27" x 16¾" x 19¾" (68,6 cm x 42,6 cm x 50,2 cm)

Une telle gaine murale nécessite une grille arrière et des pièces d'installation plus grandes que celles qui sont fournies avec ce climatiseur. Consulter le fournisseur local pour obtenir un ensemble de pièces adapté pour une gaine murale de cette taille.

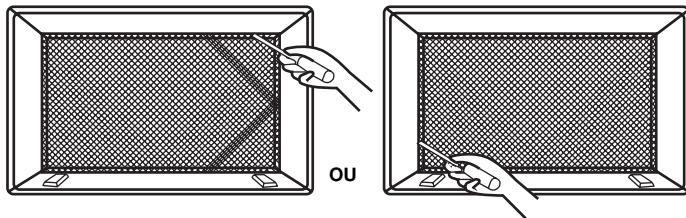
REMARQUE : Si le nouveau climatiseur était installé dans une gaine murale de cette taille sans utilisation de l'ensemble spécial, le nouveau climatiseur subirait des dommages et la garantie ne pourrait être honorée.

Installation de la grille de plastique

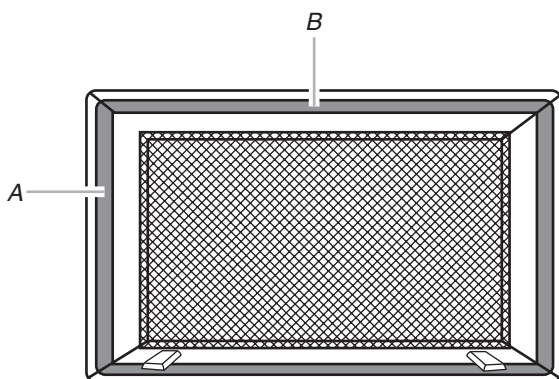
1. Découper la grille de plastique selon les dimensions suivantes : largeur 26½" (67,3 cm) — hauteur 15½" (39,4 cm).
2. Placer la grille de plastique sur le rebord arrière de la gaine murale, à l'intérieur de la pièce.



3. Si nécessaire, percer des trous de $\frac{1}{8}$ " dans la gaine murale. Puis, placer les vis avec rondelle pour fixer la grille sur la gaine murale.

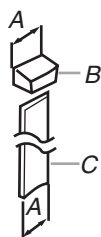


4. S'il n'est pas nécessaire de remplacer l'isolant sur la gaine murale existante, passer à l'étape 7.
 5. Enlever l'endos de la tige d'isolant de la tringle horizontale; apposer l'isolant sur la face interne de la gaine murale.
 6. Enlever l'endos de la tige d'isolant de la tringle verticale; apposer l'isolant sur la face avant interne de la gaine murale—voir l'illustration ci-dessous.



A. Tige d'isolant pour composants verticaux
 B. Tige d'isolant pour composants horizontaux

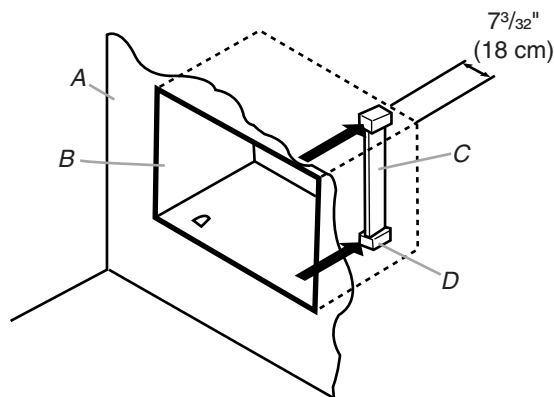
7. Si la profondeur de la gaine murale existante est inférieure ou égale à 18" (45,7 cm), passer à l'étape 10. Sinon, couper la plaque de séparation et les cales de support selon la dimension indiquée dans le tableau ci-dessous.



A. Longueur (voir le tableau ci-dessous)
 B. Cales de support
 C. Plaque de séparation

Profondeur (D) de la gaine murale existante	Longueur (A)
18" (45,7 cm) < D < 18 $\frac{5}{8}$ " (47,3 cm)	$\frac{3}{4}$ " (1,9 cm)
18 $\frac{5}{8}$ " (47,3 cm) < D < 19 $\frac{3}{4}$ " (50,2 cm)	1 $\frac{3}{4}$ " (4,5 cm)
19 $\frac{3}{4}$ " (50,2 cm) < D < 22" (55,9 cm)	4" (10,2 cm)

8. Insérer la plaque de séparation dans les fentes des cales de support.
 9. Insérer l'ensemble plaque/cales de support à l'intérieur de la gaine murale—voir l'illustration.



A. Mur
 B. Avant de la gaine murale
 C. Plaque de séparation
 D. Cale de support

10. Installer le nouveau climatiseur dans la gaine murale.
 11. Le cadre de garniture universel doit être utilisé avec cette gaine murale. Pour l'assemblage du cadre de garniture universel, voir "Achever l'installation".

Installation du climatiseur dans une nouvelle gaine murale

REMARQUE : La gaine murale doit être achetée séparément.

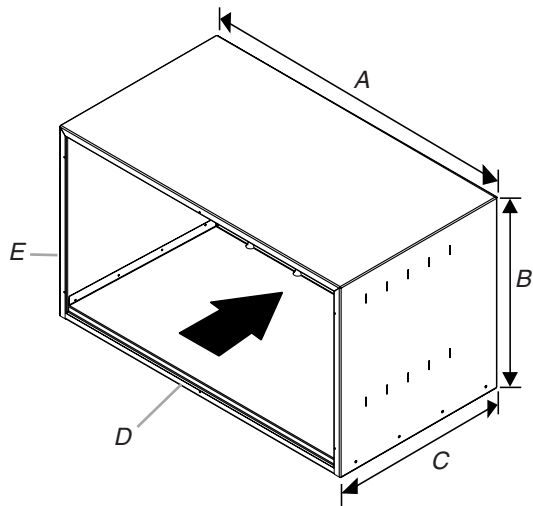
AVERTISSEMENT

Risque du poids excessif

Utiliser deux ou plus de personnes pour déplacer et installer le climatiseur.

Le non-respect de cette instruction peut causer une blessure au dos ou d'autre blessure.

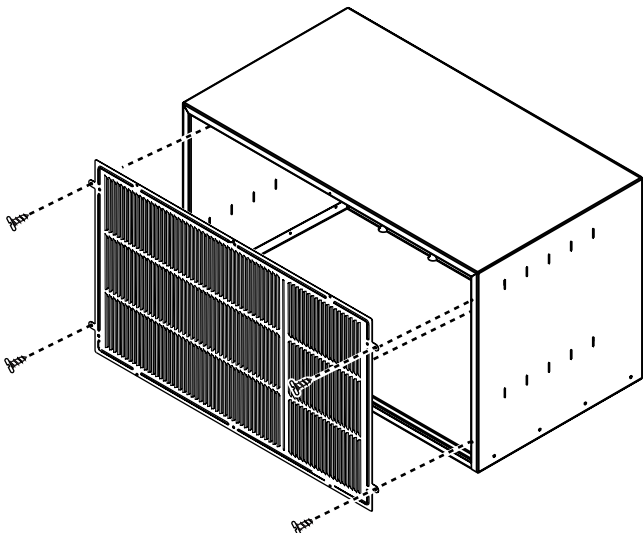
- Installer la nouvelle grille fournie avec votre climatiseur ou nouvelle gaine murale.
- **REMARQUE :** Si cette grille n'est pas installée sur la gaine murale, le climatiseur ne pourra pas fonctionner correctement et la garantie ne pourra être honorée.
- Manipuler le climatiseur délicatement.
- S'assurer que le climatiseur ne tombe pas de l'ouverture lors de l'installation ou de la dépose.
- L'endroit où le cordon d'alimentation sort du climatiseur doit être placé à moins de 4 pi (122 cm) d'une prise reliée à la terre.
- Le mur où le climatiseur sera installé doit pouvoir supporter le poids de l'appareil.
- Ne pas installer le climatiseur dans un endroit où l'avant de la caisse de plastique serait exposé à une source de chaleur portant la température de la surface à plus de 120°F (49°C).
- Ne pas bloquer les persiennes sur le panneau avant.



A. Largeur (L) D. Tige d'isolant pour composants horizontaux
 B. Hauteur (H) E. Tige d'isolant pour composants verticaux
 C. Profondeur (P)

Gaine murale de (L x H x P) :
25⁷/₈" x 15¹⁷/₃₂" x 16²³/₃₂" (65,7 cm x 39,5 cm x 42,5 cm)

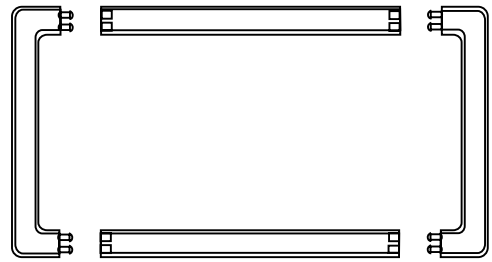
1. Enlever les couvercles avant et arrière de la nouvelle gaine murale.
REMARQUE : Conserver ces couvercles pour réutilisation - pour pouvoir sceller la gaine murale si le climatiseur devait être retiré.
2. Voir les instructions fournies avec la gaine murale pour une installation complète de la gaine murale et de la grille.



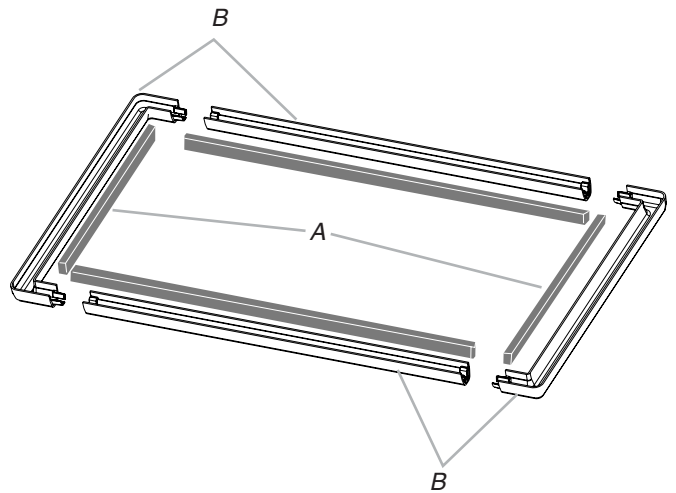
Insérer les 4 vis à tôle n° 8 - 32 (fournies) dans les trous de la grille et dans la gaine murale.

Achever l'installation

1. Monter le cadre de garniture : placer les 4 composants (face vers le bas) sur une surface plane; emboîter les composants entre eux.

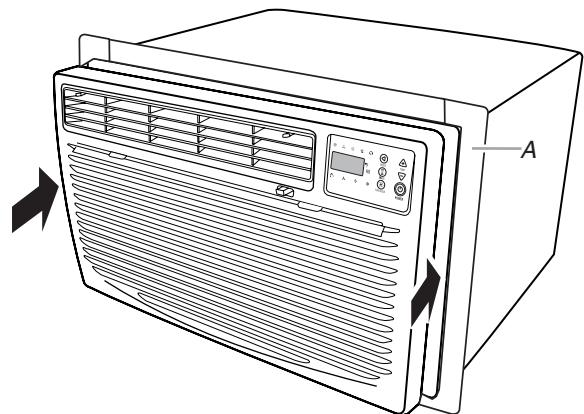


2. Installer le ruban de mousse isolante de 1/8" autour de la rive interne du cadre de garniture. Commencer dans l'angle inférieur gauche, et placer le ruban de mousse isolante sur tout le périmètre du cadre de garniture. Veiller à placer le ruban de mousse en affleurement avec le bord inférieur du cadre de garniture.



A. Rubans de mousse isolante
 B. Cadre de garniture

3. Faire glisser le cadre de garniture étroit sur l'avant du climatiseur jusqu'à ce que le cadre de garniture soit en affleurement avec la gaine murale—voir l'illustration ci-dessous.



A. Cadre de garniture contre la gaine murale

⚠️ AVERTISSEMENT



Risque de choc électrique

Brancher sur une prise à 3 alvéoles reliée à la terre.

Ne pas enlever la broche de liaison à la terre.

Ne pas utiliser un adaptateur.

Ne pas utiliser un câble de rallonge.

Le non-respect de ces instructions peut causer un décès, un incendie ou un choc électrique.

- Brancher sur une prise à 3 alvéoles reliée à la terre.
- Appuyer sur RESET (réinitialisation) sur le cordon d'alimentation.

UTILISATION DU CLIMATISEUR

Une bonne utilisation de votre climatiseur vous aidera à obtenir les meilleurs résultats possibles.

Cette section explique le fonctionnement correct du climatiseur.

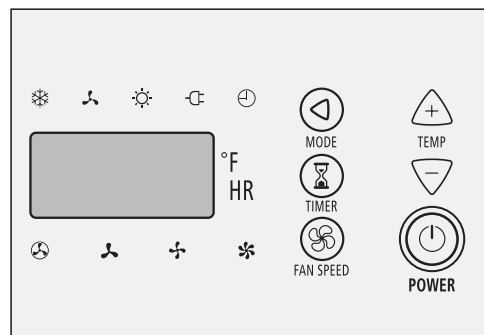
IMPORTANT :

- Si on doit éteindre le climatiseur, attendre au moins 3 minutes avant de le rallumer. Ceci empêche le climatiseur de faire griller un fusible ou de déclencher le disjoncteur.
- Ne pas tenter de faire fonctionner le climatiseur au mode de refroidissement lorsque la température extérieure est inférieure à 66°F (19°C). Le serpentin de l'évaporateur intérieur gèlera et le climatiseur ne fonctionnera pas correctement.

REMARQUES :

- En cas de panne de courant, votre climatiseur fonctionnera aux réglages précédents lorsque le courant sera restauré.
- Si la commande électronique ne répond pas aux commandes de touche tactile ou de la télécommande, il faut débrancher l'appareil de la prise électrique pendant 5 secondes avant de le rebrancher.

Modèles avec chauffage



- Enlever le film protecteur transparent du tableau de commande.
- Appuyer sur POWER (mise en marche) pour mettre le climatiseur en marche.



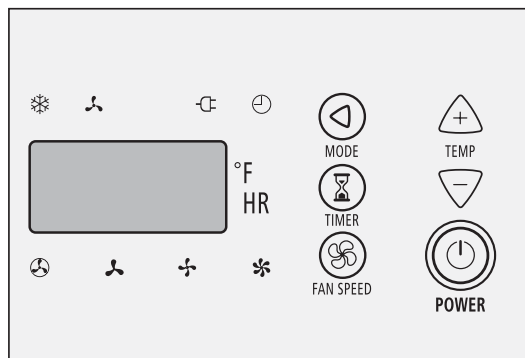
POWER

REMARQUE : Lorsqu'on met le climatiseur en marche, celui-ci affiche les réglages précédents pour le mode, la vitesse du ventilateur et la température.

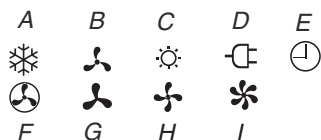
- Choisir le mode. Voir "Mode".
- Choisir la vitesse du ventilateur. Voir "Fan Speed".
- Choisir la température. Voir "Température".

Mise en marche du climatiseur

Modèles sans chauffage



Symboles d'affichage



A. Indicateur lumineux mode Cool (refroidissement)

B. Indicateur lumineux mode Fan Only (ventilateur seulement)

C. Indicateur lumineux Heat (chauffage—sur certains modèles)

D. Indicateur lumineux mode Power Saver (économie d'énergie)

E. Indicateur lumineux Timer (minuterie)

F. Indicateur lumineux mode vitesse de ventilateur Auto

G. Indicateur lumineux mode vitesse de ventilateur Low (basse)

H. Indicateur lumineux mode vitesse de ventilateur High (haute)

I. Indicateur lumineux mode vitesse de ventilateur Turbo

Évacuation de l'air

La caractéristique d'évacuation de l'air permet au climatiseur soit de recycler l'air à l'intérieur (CLOSED/FERMÉ), soit d'évacuer l'air à l'extérieur (OPEN/OUVERT).

- CLOSED—est à utiliser pour obtenir un refroidissement maximum. Elle peut aussi être utilisée pour le recyclage de l'air sans refroidissement lorsque le climatiseur est réglé en mode Fan (ventilateur).
- OPEN—supprime l'air vicié de la pièce et l'évacue vers l'extérieur.

REMARQUE : La position OPEN ou CLOSED peut être utilisée avec n'importe quelle sélection de mode.

Mode

1. Appuyer sur MODE jusqu'à l'apparition du témoin lumineux correspondant à la fonction désirée.
2. Choisir Cool (refroidissement), Heat (chauffage—sur certains modèles), Fan Only (ventilateur seulement) ou Power Saver (économie d'énergie).
 - Cool (refroidissement)—Refroidit la pièce. Appuyer sur FAN SPEED pour choisir la vitesse du ventilateur. Puis ajuster la température en appuyant sur le bouton "+" ou "-".
 - Heat (Chauffage) (sur certains modèles)—L'appareil fait circuler l'air et le réchauffe.
Lors de l'interruption de l'alimentation de l'élément chauffant, le ventilateur (basse vitesse) continue à fonctionner pendant 30 secondes.
 - Fan Only (ventilateur seulement)—Fait fonctionner le ventilateur à vitesse basse, haute ou Turbo, sans refroidissement. L'affichage montre la température ambiante actuelle.
 - Power Saver (économie d'énergie)—Le ventilateur s'éteint en même temps que le compresseur pour répondre à la température réglée. Lorsque le compresseur se met à nouveau en marche, le ventilateur revient à la vitesse réglée.



Fan Speed (Vitesse de ventilateur)

1. Appuyer sur FAN SPEED jusqu'à l'apparition du témoin lumineux correspondant à la fonction désirée.
2. Choisir Auto, Low (basse), High (haute) ou Turbo.
Lorsque Auto est sélectionné, la vitesse du ventilateur change automatiquement en fonction de la température de la pièce.
 - 7° ou plus au-dessus de la température réglée : Turbo.
 - 4° - 7° au-dessus de la température réglée : High.
 - 4° ou moins au-dessus de la température réglée : Low.



Température

- Appuyer sur le bouton de TEMP "+". L'affichage montre le réglage de la commande de température. Chaque fois que l'on appuie sur le bouton "+", la température augmente de 1° jusqu'à atteindre 88°F (31°C).

REMARQUE : Après 3 secondes, l'affichage montre la température ambiante actuelle.



Appuyer sur le bouton de TEMP "-". L'affichage montre le réglage de la commande de température. Chaque fois que l'on appuie sur le bouton "-", la température diminue de 1° jusqu'à atteindre 66°F (19°C).

REMARQUE : Après 3 secondes, l'affichage montre la température ambiante actuelle.

Permutation de l'affichage de température °F/°C :

Si l'on appuie sur les deux touches à la fois, l'affichage passera des °F aux °C.

Mise en marche/arrêt différé(e)

La minuterie peut être réglée pour un délai de 0,5 à 24 heures jusqu'à l'arrêt du climatiseur (le climatiseur doit être allumé) :

1. Appuyer sur TIMER. L'indicateur lumineux restera allumé. L'affichage montre le temps restant avant que le climatiseur s'éteigne.



2. Appuyer sur le bouton "+" ou "-" pour changer la durée de délai (0,5 à 24 heures).
3. Appuyer à nouveau sur TIMER ou attendre 10 secondes. L'indicateur lumineux sur le climatiseur restera allumé. L'affichage montre le temps restant avant que le climatiseur s'éteigne.

- Pour arrêter la minuterie, appuyer à nouveau sur TIMER ou appuyer sur POWER pour éteindre le climatiseur.

Pour régler la mise en marche différée du climatiseur en gardant les réglages précédents :

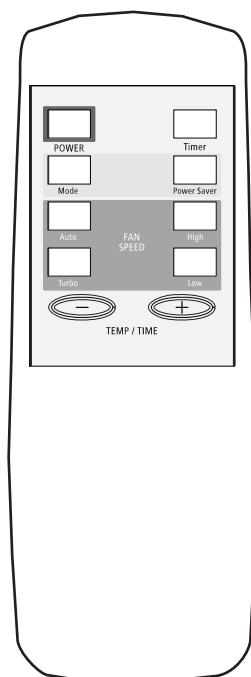
- Arrêter le climatiseur.
- Appuyer sur TIMER. L'indicateur lumineux sur le climatiseur clignotera. L'affichage montre le temps restant avant que le climatiseur s'éteigne.
- Appuyer sur le bouton "+" ou "-" pour changer la durée de délai (de 0,5 à 24 heures).
- Appuyer à nouveau sur TIMER ou attendre 10 secondes. L'indicateur lumineux sur le climatiseur restera allumé.

Pour régler un délai de 0,5 à 24 heures avant la mise en marche du climatiseur en changeant les réglages précédents :

- Mettre le climatiseur en marche.
- Régler le Mode sur Cool, Heat (chauffage—sur certains modèles), Fan Only ou appuyer sur POWER SAVER.
- Ajuster la vitesse du ventilateur au mode Turbo, High (élevée) ou Low (basse).
- Ajuster la température entre 66°F (19°C) et 88°F (31°C).
- Attendre 3 secondes avant d'arrêter le climatiseur.
- Appuyer sur TIMER. L'indicateur lumineux sur le climatiseur clignotera. L'affichage montre le temps restant avant que le climatiseur s'allume.
- Appuyer sur le bouton "+" ou "-" pour changer la durée de délai (de 0,5 à 24 heures).
- Appuyer à nouveau sur TIMER ou attendre 10 secondes. L'indicateur lumineux sur le climatiseur restera allumé. L'affichage indiquera la température ambiante actuelle.

Pour faire fonctionner le climatiseur avec la télécommande

REMARQUE : L'apparence de la télécommande peut varier.



REMARQUE : Deux piles AA (incluses) alimentent la télécommande. Remplacer les piles après 6 mois d'usage ou lorsque le fonctionnement de la télécommande n'est plus satisfaisant.

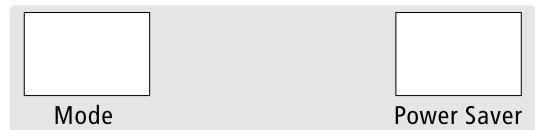
Pour mettre en marche ou arrêter le climatiseur :

Appuyer sur POWER.



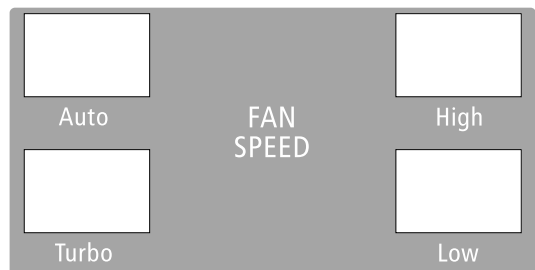
Pour sélectionner le mode :

- Appuyer sur MODE pour sélectionner Cool, Heat (sur certains modèles) ou Fan Only.
- Appuyer sur POWER SAVER pour sélectionner le mode Power Saver.
 - Cool, Heat (sur certains modèles), Fan Only ou Power Saver—la vitesse du ventilateur peut être ajustée.



Pour choisir la vitesse du ventilateur :

Appuyer sur AUTO, TURBO, HIGH (élevée) ou LOW (basse).



Pour augmenter la température :

Appuyer sur le bouton "+". L'affichage montre le réglage de la commande de température. Chaque fois que l'on appuie sur le bouton "+", la température augmente de 1° jusqu'à atteindre 88°F (31°C).

REMARQUE : Après 3 secondes, l'affichage indiquera la température réglée.



Pour réduire la température :

Appuyer sur le bouton "-". L'affichage montre le réglage de la commande de température. Chaque fois que l'on appuie sur le bouton "-", la température diminue de 1° jusqu'à atteindre 66°F (19°C).

REMARQUE : Après 3 secondes, l'affichage indiquera la température réglée.



Pour régler la minuterie pour un délai de 0,5 à 24 heures jusqu'à l'arrêt du climatiseur (le climatiseur doit être allumé) :

1. Appuyer sur TIMER. L'indicateur lumineux sur le climatiseur clignotera. L'affichage montre le temps restant avant que le climatiseur s'éteigne.



TIMER

2. Appuyer sur le bouton "+" ou "-" pour changer la durée de délai (0,5 à 24 heures).
3. Appuyer à nouveau sur TIMER ou attendre 10 secondes. L'indicateur lumineux sur le climatiseur restera allumé.

Pour régler la mise en marche différée du climatiseur en gardant les réglages précédents :

1. Arrêter le climatiseur.
2. Appuyer sur TIMER. L'indicateur lumineux sur le climatiseur clignotera. L'affichage montre le temps restant avant que le climatiseur s'éteigne.
3. Appuyer sur le bouton "+" ou "-" pour changer la durée de délai (de 0,5 à 24 heures).
4. Appuyer à nouveau sur TIMER ou attendre 10 secondes. L'indicateur lumineux sur le climatiseur restera allumé.

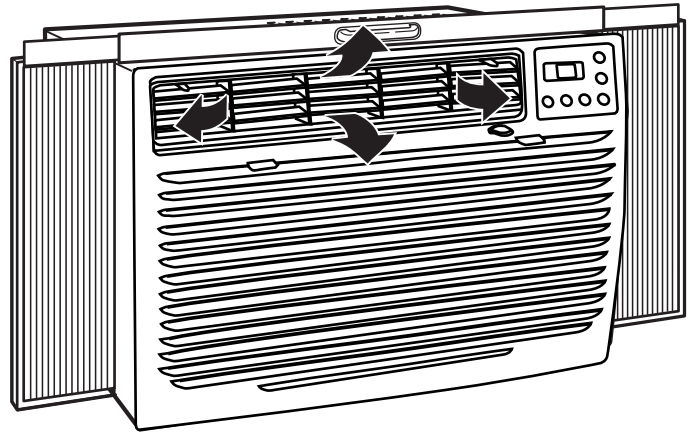
Pour régler la mise en marche différée du climatiseur en changeant les réglages précédents :

1. Mettre le climatiseur en marche.
2. Régler le Mode sur Cool, Heat (chauffage—sur certains modèles), Fan Only ou appuyer sur POWER SAVER.
3. Ajuster la vitesse du ventilateur au mode Auto, Turbo, High (élevée) ou Low (basse).
4. Ajuster la température entre 66°F (19°C) et 88°F (31°C).
5. Attendre 3 secondes avant d'arrêter le climatiseur.
6. Appuyer sur TIMER. L'indicateur lumineux sur le climatiseur clignotera. L'affichage montre le temps restant avant que le climatiseur s'allume.

7. Appuyer sur le bouton "+" ou "-" pour changer la durée de délai (de 0,5 à 24 heures).
8. Appuyer à nouveau sur TIMER ou attendre 10 secondes. L'indicateur lumineux sur le climatiseur restera allumé.

Changement de direction de l'air

Utiliser les pattes de réglage pour orienter le jet d'air vers le haut, vers le bas, vers la gauche, vers la droite ou vers l'avant.



Sons normaux

Lorsque le climatiseur fonctionne normalement, on peut percevoir certains sons comme :

- Gouttelettes d'eau qui heurtent le condensateur, causant un cliquetis ou un cliquettement. Les gouttelettes d'eau contribuent au refroidissement du condensateur.
- Mouvement de l'air sous l'effet du ventilateur.
- Déclics émis par le thermostat.
- Vibrations ou sons imputables à une construction médiocre du mur ou de la fenêtre.
- Bourdonnement aigu ou bruits de pulsations causés par le compresseur moderne à haute efficacité qui se met en marche et s'arrête de façon intermittente.

ENTRETIEN DU CLIMATISEUR

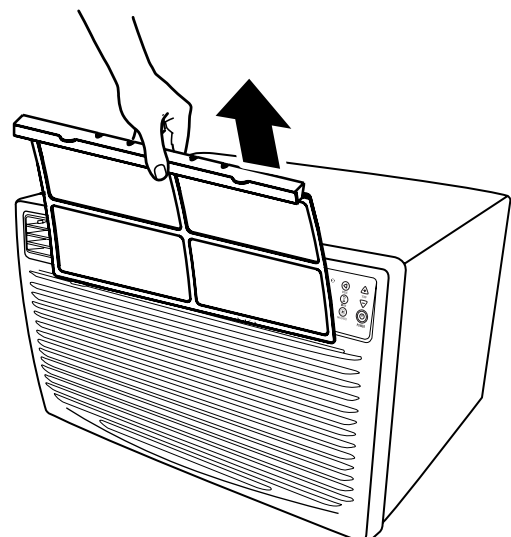
Votre nouveau climatiseur est conçu pour vous fournir de nombreuses années de service fiable. Cette section vous expliquera comment nettoyer et entretenir votre climatiseur correctement. Contacter votre marchand local autorisé pour une vérification annuelle. À noter... le coût de ce service est à votre charge.

Nettoyage du filtre à air

Le filtre à air est amovible pour faciliter le nettoyage. Un filtre à air propre aide à retenir les particules de poussière, la charpie et autres débris en suspension dans l'air et est important pour obtenir le meilleur refroidissement et la meilleure efficacité de fonctionnement. Vérifier le filtre toutes les 2 semaines pour déterminer si un nettoyage est nécessaire.

REMARQUE : Ne pas faire fonctionner le climatiseur sans que le filtre ne soit en place.

1. Éteindre le climatiseur.
2. Saisir le filtre à air par les pattes. Faire glisser le filtre à air vers le haut et tirer pour l'extraire de la rainure.



3. Nettoyer le climatiseur à l'aspirateur. Si le filtre est très sale, le laver avec de l'eau tiède et un détergent doux. Ne pas laver le filtre à air au lave-vaisselle ni utiliser un produit nettoyant chimique.

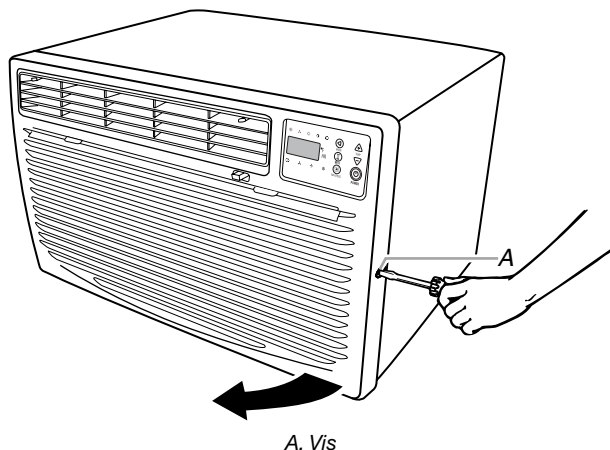
REMARQUE : Faire sécher parfaitement le filtre à air avant de le réinstaller, afin d'assurer une efficacité maximale.

4. Faire glisser le filtre à air vers le bas pour le placer dans la rainure.

4. Enlever le panneau avant.
5. Nettoyer le panneau avant avec un chiffon doux et une solution eau tiède/détergent doux. Rincer à l'eau propre et sécher.
6. Rincer le tableau de commande; faire sécher parfaitement avec un chiffon doux et sec.
7. Réinstaller le panneau avant. Réinstaller les vis.
8. Brancher le climatiseur ou reconnecter la source de courant électrique.

Nettoyage du panneau avant

1. Débrancher le climatiseur ou déconnecter la source de courant électrique.
2. Enlever le filtre à air pour le nettoyer séparément. Voir "Nettoyage du filtre à air".
3. Enlever les vis sur les deux côtés de la caisse du climatiseur.



A. Vis

Entretien annuel

Votre climatiseur nécessite un entretien annuel pour aider à assurer un rendement maximal toute l'année. Contacter votre marchand local autorisé pour fixer un examen annuel. Le coût de l'examen annuel est à votre charge.

DÉPANNAGE

Vous pouvez résoudre facilement de nombreux problèmes courants concernant votre climatiseur et économiser ainsi le coût d'une visite de service. Essayez les suggestions ci-dessous pour déterminer si vous pouvez résoudre votre problème sans aide extérieure.

Le climatiseur ne fonctionne pas

- **Le cordon d'alimentation est débranché.** Brancher sur une prise à 3 alvéoles reliée à la terre. Voir "Spécifications électriques".
- **Le cordon d'alimentation se déclenche (le bouton Reset s'éjecte).** Appuyer sur RESET et relâcher (un déclic se fait entendre, le bouton Reset s'enclenche et reste enfoncé) pour reprendre l'utilisation.
- **Un fusible est grillé ou un disjoncteur s'est déclenché.** Remplacer le fusible ou réarmer le disjoncteur. Voir "Spécifications électriques".
- **Le bouton d'alimentation Power n'a pas été enfoncé.** Appuyer sur POWER.
- **Il y a une panne d'électricité locale.** Attendre le rétablissement du courant.

Le climatiseur fait griller les fusibles ou déclenche les disjoncteurs

- **Trop d'appareils sont branchés sur le même circuit.** Débrancher ou déplacer les appareils qui se trouvent sur le même circuit.
- **Vous utilisez des fusibles temporisés ou un disjoncteur de capacité inappropriée.** Installer un fusible temporisé ou un disjoncteur de capacité correcte. Voir "Spécifications électriques".
- **Vous utilisez un cordon de rallonge.** Ne pas utiliser de rallonge avec cet appareil ou tout autre.
- **Tentative de remise en marche du climatiseur trop tôt après l'arrêt de l'appareil.** Attendre au moins 3 minutes avant de tenter une nouvelle mise en marche.

Le cordon d'alimentation du climatiseur se déclenche (le bouton Reset s'éjecte)

- **Des perturbations au niveau du courant électrique peuvent déclencher (le bouton Reset s'éjecte) le cordon d'alimentation.** Appuyer sur RESET et relâcher (un déclic se fait entendre, le bouton Reset s'enclenche et reste enfoncé) pour poursuivre l'utilisation.
- **Une surcharge électrique, une surchauffe, un resserrement ou l'usure peuvent déclencher (le bouton Reset s'éjecte) le cordon d'alimentation.** Après avoir corrigé le problème, appuyer sur RESET et relâcher (un déclic se fait entendre, le bouton Reset s'enclenche et reste enfoncé) pour poursuivre l'utilisation.

REMARQUE : Un cordon d'alimentation endommagé ne doit pas être réparé mais remplacé par un neuf que l'on peut se procurer auprès du fabricant du produit.

Le climatiseur semble se mettre en marche trop fréquemment

- **Ce climatiseur remplace un modèle ancien.** Du fait de l'utilisation de composants plus efficaces, il est possible que le climatiseur fonctionne pendant de plus longues périodes que l'ancien modèle, mais la consommation totale d'énergie sera moindre. Les nouveaux climatiseurs ne projettent pas un puissant jet d'air froid comme les anciens modèles, mais ceci n'indique pas une réduction de la capacité de refroidissement ou de l'efficacité. Se référer à l'indice d'efficacité (EER) et à l'indice de capacité (en BTU/h) indiqués sur le climatiseur.
- **Le climatiseur est installé dans une pièce chargée ou dans laquelle des appareils générateurs de chaleur sont installés.** Utiliser des ventilateurs d'évacuation d'air pendant les opérations de cuisson ou les bains, et essayer de ne pas utiliser ces appareils pendant les périodes les plus chaudes de la journée. Il est peut être nécessaire de choisir un climatiseur de plus grande capacité, selon la taille de la pièce à refroidir.

Le climatiseur s'allume et s'éteint trop fréquemment

- **Le mode Power Saver (économie d'énergie) a été sélectionné.** Utiliser la fonction d'économie d'énergie seulement pour une période d'absence ou durant la nuit. Pour optimiser le confort, sélectionner les réglages Cool et une vitesse de ventilateur supérieure.
- **La taille du climatiseur n'est pas appropriée à la pièce.** Vérifier la capacité de refroidissement du climatiseur de la pièce. Les climatiseurs pour une seule pièce ne sont pas conçus pour refroidir plusieurs pièces.

- **Le filtre est sale ou obstrué par des débris.** Nettoyer le filtre.
- **Il y a une quantité excessive de chaleur ou d'humidité (cuisson dans des récipients sans couvercle, douches, etc.) dans la pièce.** Utiliser un ventilateur pour évacuer la chaleur ou l'humidité de la pièce. Essayer de ne pas utiliser des appareils générateurs de chaleur pendant les périodes les plus chaudes de la journée.
- **Les persiennes sont obstruées.** Installer le climatiseur dans un endroit où les persiennes ne sont pas obstruées par des rideaux, stores, meubles, etc.
- **La température extérieure est inférieure à 66°F (19°C).** Ne pas essayer de faire fonctionner le climatiseur au mode de refroidissement lorsque la température extérieure est inférieure à 66°F (19°C).
- **La température de la pièce à refroidir est extrêmement élevée.** Laisser le climatiseur fonctionner pendant une plus longue période pour refroidir une pièce très chaude.
- **Les fenêtres ou portes sur l'extérieur sont ouvertes.** Fermer toutes les portes et fenêtres.
- **L'échangeur d'air est réglé sur OPEN (ouvert) (sur certains modèles).** Pour un refroidissement et/ou un chauffage maximum, régler la commande d'évacuation de l'air sur CLOSED (fermé).
- **La commande de température n'est pas positionnée sur un réglage suffisamment froid.** Ajuster la commande de température sur un réglage plus froid. Appuyer sur le bouton “-” pour réduire la température de 1° jusqu'à ce qu'elle atteigne 66°F (19°C). Régler la commande Fan Speed (vitesse du ventilateur) sur High (élevée) ou Turbo (sur certains modèles).

Fuite d'eau provenant de la caisse dans la maison

- **Le climatiseur n'est pas de niveau.** Le climatiseur doit être légèrement incliné vers le bas et vers l'extérieur. Mettre le climatiseur de niveau de façon à ce qu'il soit incliné vers le bas et vers l'extérieur pour assurer un écoulement correct. Voir les Instructions d'installation.

REMARQUE : Ne pas percer un trou sur le fond de la base métallique ou dans le collecteur de condensat.

L'appareil produit un refroidissement, mais la température dans la pièce demeure trop élevée— formation de glace sur le serpentin de refroidissement, derrière la grille de prise d'air

- **La température extérieure est inférieure à 66°F (19°C).** Ne pas essayer de faire fonctionner le climatiseur au mode de refroidissement lorsque la température extérieure est inférieure à 66°F (19°C).
- **Le filtre est sale ou obstrué par des débris.** Nettoyer le filtre.

ASSISTANCE OU SERVICE

Avant de faire un appel pour assistance ou service, consulter la section "Dépannage". Ce guide peut vous faire économiser le coût d'une visite de service. Si vous avez encore besoin d'aide, suivre les instructions ci-dessous.

Lors d'un appel, veuillez connaître la date d'achat, le numéro de modèle et le numéro de série au complet de l'appareil. Ces renseignements nous aideront à mieux répondre à votre demande.

Si vous avez besoin de pièces de rechange

Si vous avez besoin de commander des pièces de rechange, nous vous recommandons d'employer uniquement des pièces de rechange FSP®. Les pièces de rechange FSP® conviendront et fonctionneront bien parce qu'elles sont fabriquées avec la même précision utilisée dans la fabrication de chaque nouvel appareil WHIRLPOOL®.

Pour obtenir des pièces de rechange FSP® dans votre région, nous contacter ou appeler le Centre de service désigné de Whirlpool le plus proche.

Au Canada

Pour des questions relatives aux produits, veuillez appeler sans frais le Centre d'interaction avec la clientèle de Whirlpool Canada LP au : **1-800-461-5681**.

Lundi à vendredi 8 h - 18 h (HNE).

Samedi 8 h 30 - 16 h 30 (HNE).

Nos consultants vous renseigneront sur les sujets suivants :

- Caractéristiques et spécifications sur toute notre gamme d'appareils électroménagers.
- Références aux marchands locaux.

Pour pièces, accessoires et service au Canada

Composer le **1-800-807-6777**. Les techniciens de service désignés par Whirlpool Canada LP sont formés pour remplir la garantie des produits et fournir un service après la garantie, partout au Canada.

Pour plus d'assistance

Si vous avez besoin de plus d'assistance, vous pouvez soumettre par écrit toute question ou préoccupation à Whirlpool Canada LP à l'adresse suivante :

Centre d'interaction avec la clientèle
Whirlpool Canada LP
1901 Minnesota Court
Mississauga, Ontario L5N 3A7

Veuillez inclure dans votre correspondance un numéro de téléphone où on peut vous joindre dans la journée.

GARANTIE DU CLIMATISEUR WHIRLPOOL®

GARANTIE COMPLÈTE DE CINQ ANS

Pendant cinq ans à partir de la date d'achat, lorsque ce climatiseur (à l'exclusion du filtre à air) est installé, utilisé et entretenu conformément aux instructions jointes à ou fournies avec le produit, Whirlpool Corporation ou Whirlpool Canada LP réparera ou remplacera le produit à sa discrétion pour rectifier les vices de matériaux ou de fabrication des commandes mécaniques ou électriques et du système de réfrigération scellé. Il s'agit des pièces suivantes : compresseur, évaporateur, condenseur, sécheuse-filtre et tube de raccord. Le service doit être fourni par une compagnie de service désignée par Whirlpool.

GARANTIE LIMITÉE DE 30 JOURS SUR LE FILTRE À AIR

Pendant 30 jours à compter de la date d'achat, lorsque ce climatiseur est utilisé et entretenu conformément aux instructions jointes à ou fournies avec le produit, Whirlpool Corporation ou Whirlpool Canada LP prendra en charge le remplacement du filtre à air pour rectifier les vices de matériaux ou de fabrication.

Whirlpool Corporation ou Whirlpool Canada LP ne paiera pas pour :

1. Les visites de service pour rectifier l'installation de votre climatiseur, donner des instructions concernant l'utilisation de votre climatiseur, remplacer des fusibles, rectifier le câblage, réenclencher les disjoncteurs ou nettoyer ou remplacer les filtres à air accessibles au propriétaire.
 2. Les réparations lorsque votre climatiseur est utilisé autrement qu'en utilisation domestique normale, unifamiliale.
 3. Les dommages causés par : accident, altération, mésusage, abus, incendie, inondation, actes de Dieu, installation incorrecte non conforme aux codes locaux d'électricité et de plomberie, ou utilisation de produits non approuvés par Whirlpool Corporation ou Whirlpool Canada LP.
 4. Les pièces de rechange et les frais de main-d'œuvre de réparation pour les appareils utilisés en dehors des États-Unis ou du Canada.
 5. Le ramassage et la livraison. Votre climatiseur est conçu pour être réparé à domicile.
 6. Le déménagement ou la réinstallation de votre climatiseur si celui-ci est installé en hauteur ou dans un autre endroit inaccessible ou n'est pas installé conformément aux instructions d'installation publiées.
 7. Les réparations aux pièces ou systèmes résultant d'une modification non autorisée faite à l'appareil.
 8. Au Canada, les frais de déplacement ou de transport pour les clients qui habitent dans des régions éloignées.
-

WHIRLPOOL CORPORATION OU WHIRLPOOL CANADA LP N'ASSUME AUCUNE RESPONSABILITÉ POUR LES DOMMAGES FORTUITS OU INDIRECTS.

Certains États et certaines provinces ne permettent pas l'exclusion ou la limitation des dommages fortuits ou indirects de sorte que cette exclusion ou limitation peut ne pas être applicable dans votre cas. Cette garantie vous confère des droits juridiques spécifiques et vous pouvez également jouir d'autres droits qui peuvent varier d'un État à un autre ou d'une province à l'autre.

À l'extérieur des 50 États des États-Unis et du Canada, cette garantie ne s'applique pas. Contactez votre marchand Whirlpool autorisé pour savoir si une autre garantie s'applique.

Si vous avez besoin de service, consulter d'abord la section "Dépannage". On peut trouver de l'aide supplémentaire à la section "Assistance ou Service" ou en téléphonant à notre Centre pour l'eXpérience de la clientèle au **1-800-253-1301**, de n'importe où aux É.-U. ou en écrivant à : Whirlpool Corporation, Customer eXperience Center, 553 Benson Road, Benton Harbor, MI 49022-2692.

Pour le service au Canada, téléphoner au **1-800-807-6777**. Les techniciens de service désignés par Whirlpool Canada LP sont formés pour remplir la garantie des produits et fournir un service après la garantie partout au Canada. Si vous avez besoin de plus d'assistance, vous pouvez soumettre par écrit toute question ou préoccupation à Whirlpool Canada LP à l'adresse suivante : Centre d'interaction avec la clientèle, Whirlpool Canada LP, 1901 Minnesota Court, Mississauga, Ontario L5N 3A7. Veuillez inclure dans votre correspondance un numéro de téléphone où on peut vous joindre dans la journée.

12/04

Conservez cette garantie et votre reçu de vente ensemble pour référence ultérieure. Pour le service sous garantie, vous devez présenter un document prouvant la date d'achat ou d'installation.

Inscrivez les renseignements suivants au sujet de votre climatiseur pour mieux vous aider à obtenir assistance ou service en cas de besoin. Vous devez connaître le numéro de modèle et le numéro de série au complet.

Nom du marchand _____

Adresse _____

Numéro de téléphone _____

Numéro de modèle _____

Numéro de série _____

Date d'achat _____

819041994 /

1188177

© 2005 Whirlpool Corporation.
All rights reserved.
Tous droits réservés.

® Registered Trademark/TM Trademark of Whirlpool, U.S.A., Whirlpool Canada LP Licensee in Canada
® Marque déposée/TM Marque de commerce de Whirlpool, U.S.A., emploi licencié par Whirlpool Canada LP au Canada



1/05
Printed in P.R.C.
Imprimé en R.P.C.