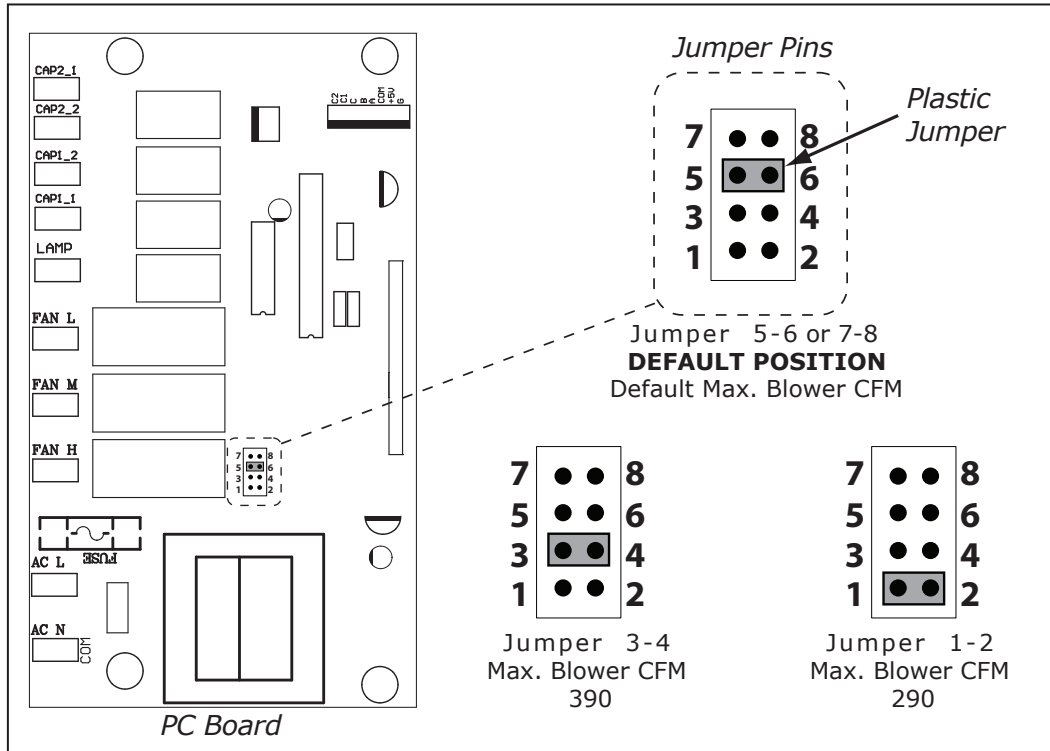


WHY CONTROL THE MAXIMUM BLOWER CFM?

Zephyr recommends to always use the appropriate blower CFM to handle your cooking surface but some local codes limit the maximum amount of CFM a range hood can move. Zephyr Airflow Control Technology (ACT) allows you to control the maximum blower CFM of select Zephyr Ventilation range hoods. ACT enables the installer to easily set the maximum blower speed to one of two most commonly specified CFM levels; 390 or 290 CFM. Note: After the new CFM is set it cannot be reversed.

Note: If no maximum CFM limit is enforced by your local code please disregard this instruction sheet.



Note: PC board designs vary by model but the Jumper Pin layout is the same for all models.

FIG. 1

CAUTION:
Hood must be disconnected from main power prior to performing the conversion instructions listed below. Failure to do so could result in personal injury or damage to the product.

Model Group A:
ZAN, ZAZ, ZLU, ZRM,
ZRO, ZRV, ZSA, ZSI

Model Group B:
AK70, AK75, AK92

- Before hood installation, gain access to PC board by following the steps on page 2 for your specific hood model. Take care when removing PC board as there are many wires connected to the board. Disconnecting all wires may not be necessary as long as you can easily access the jumper pins shown in FIG. 1 above.
- Change plastic jumper positioning as shown in FIG. 1 to set the desired maximum blower CFM.
NOTE: When ACT is enabled, the number of blower speeds will be reduced as follows:
Models from Group A: 390 CFM = max. 4 speeds, 290 CFM = max. 3 speeds
Models from Group B: 390 CFM = max. 3 speeds, 290 CFM = max. 2 speeds
- Re-install PC board into PC board box & continue with hood installation. To verify maximum CFM:
Models from Group A: With hood off, hold down the Power Button for 3-4 seconds.
 if 5 LEDs illuminate = default max. CFM, if 4 LEDs illuminate = max. 390 CFM, and
 if 3 LEDs illuminate = max. 290 CFM

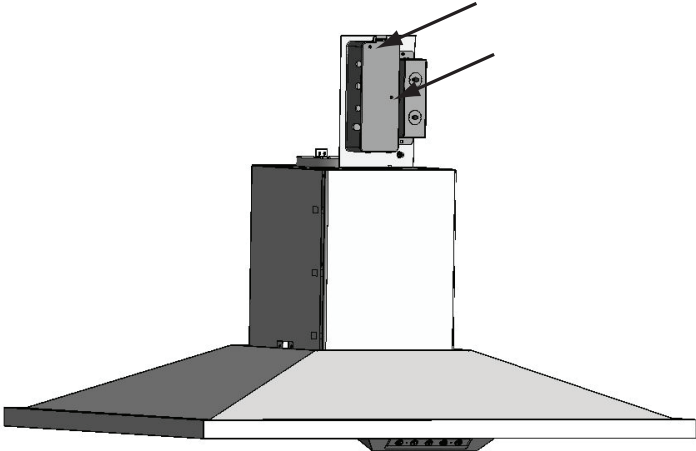
Models from Group B: With hood off, hold down the Blower On/Off Button for 3-4 seconds.
 if the number 6 displays = default max. CFM, if the number 3 displays = max. 390 CFM, and
 if the number 2 displays = max. 290 CFM
- Remove the appropriate foil CFM sticker included with the hood literature and place inside the hood body below the wiring diagram label or in another clearly visible location. **Note:** After re-positioning the jumper and powering on the hood, the CFM cannot be changed again. Please contact Zephyr if you need further assistance.

DISCARD THIS PAGE AFTER CFM CONVERSION

Accessing PC Board Instructions

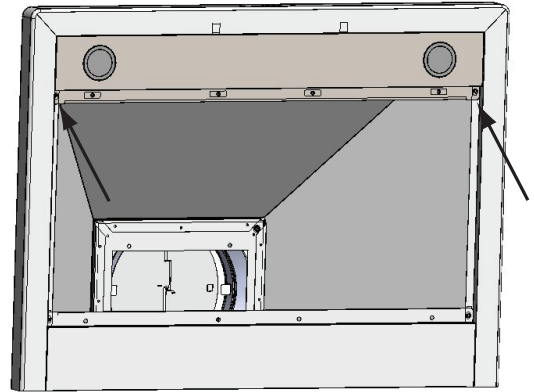
Models: ZAZ, ZLU, ZRM, ZRO, ZRV

- Locate PC board box on top of blower housing.
- Remove 2 to 4 screws attaching PC board cover.



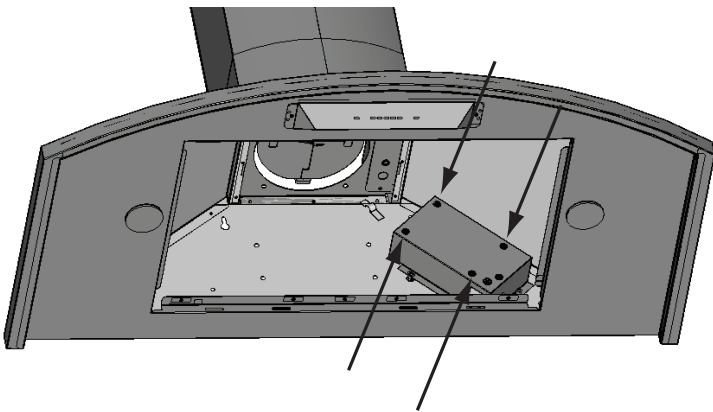
Model: ZSI

- PC board located behind the light panel.
- Remove aluminum mesh filters.
- Remove 2 screws attaching light panel.



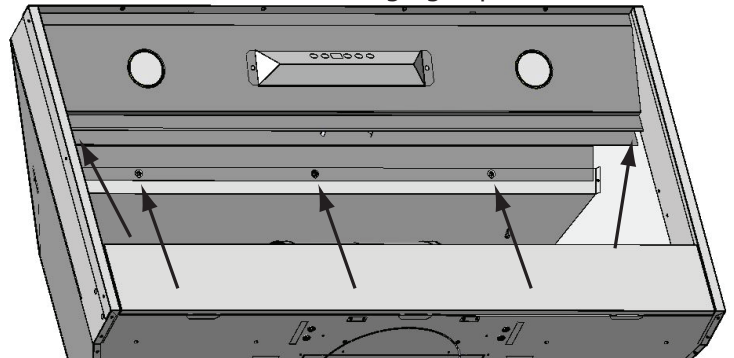
Models: ZAN, ZSA

- Remove aluminum mesh filters.
- Remove 2 to 4 screws attaching PC board cover.



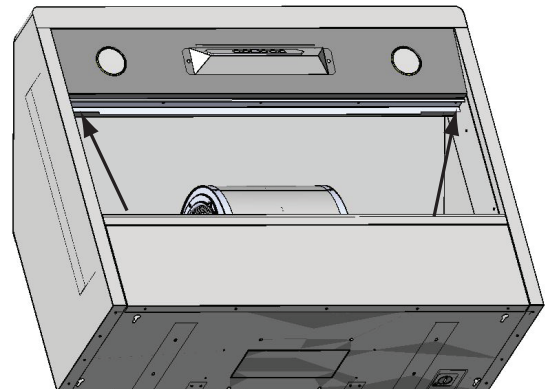
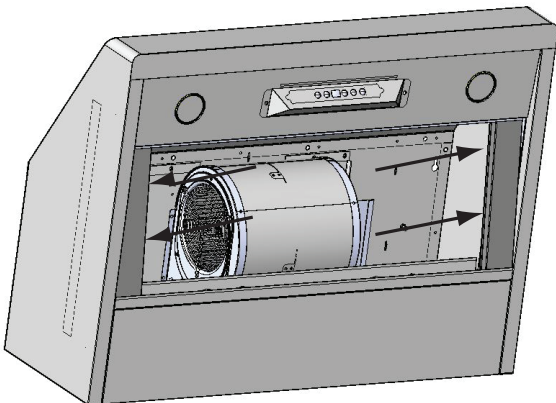
Model: AK92

- PC board located behind the light panel.
- Remove baffle filters and residue tray.
- (AK9228AS only) Remove both spacer panels by 2 screws for each spacer panel.
- Remove 5 screws attaching light panel.



Models: AK70, AK75

- PC board located behind the light panel.
- Remove baffle filters.
- Remove both side spacer panels (if applicable) by 2 screws for each spacer panel.
- Remove 4 screws attaching light panel.



DISCARD THIS PAGE AFTER CFM CONVERSION