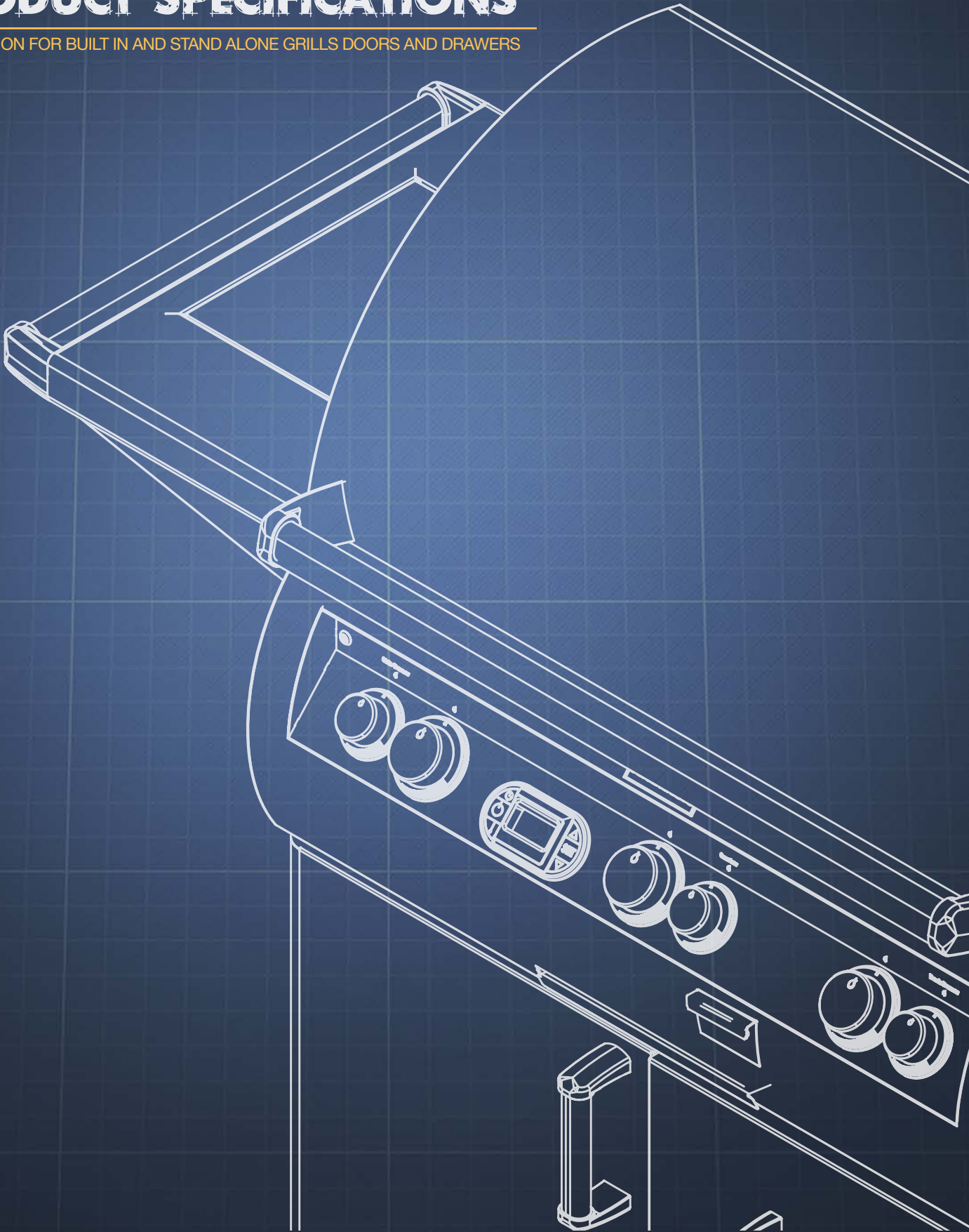




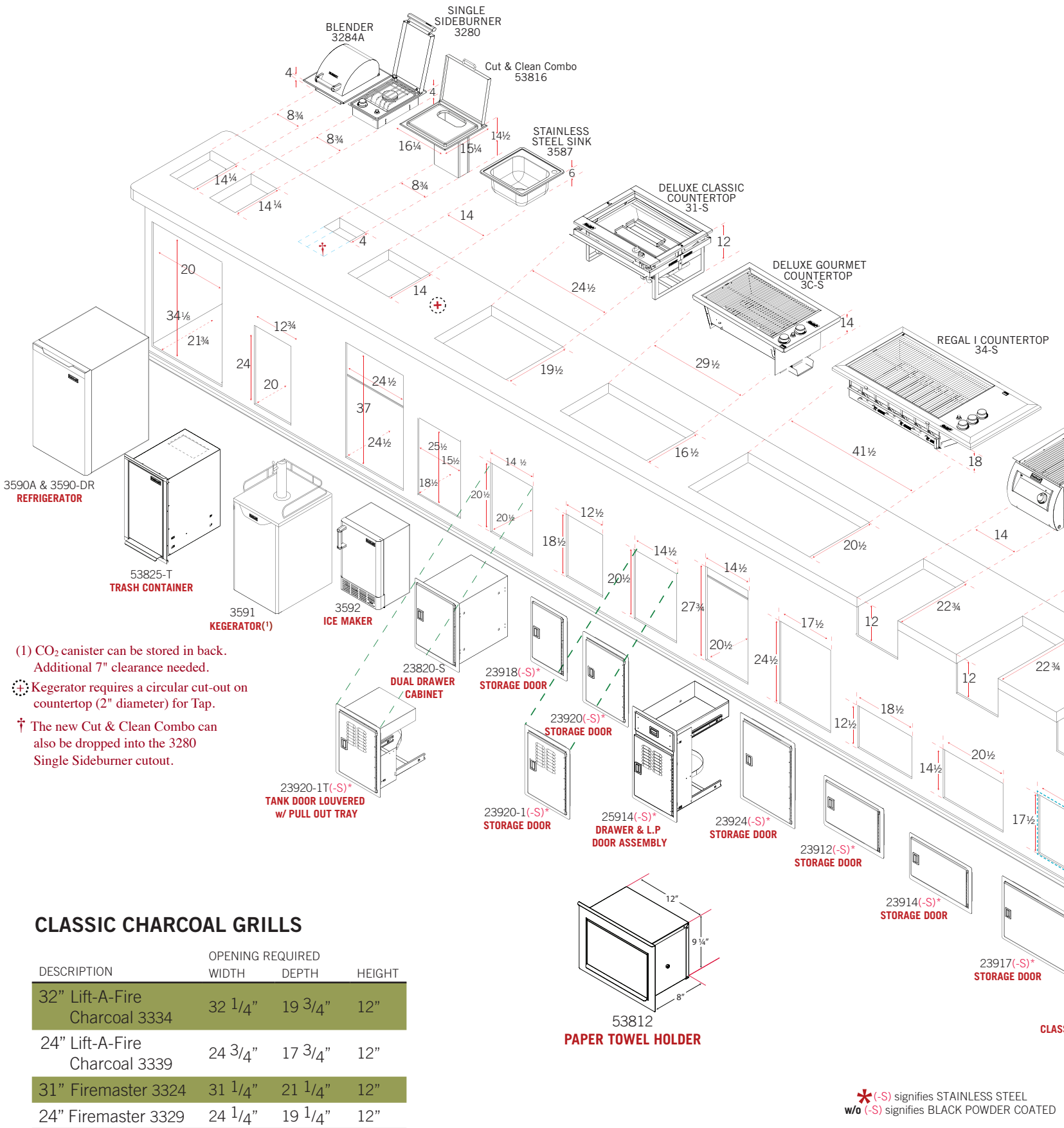
# PRODUCT SPECIFICATIONS

INFORMATION FOR BUILT IN AND STAND ALONE GRILLS DOORS AND DRAWERS









- (1) CO<sub>2</sub> canister can be stored in back. Additional 7" clearance needed.
- ⊕ Kegerator requires a circular cut-out on countertop (2" diameter) for Tap.
- † The new Cut & Clean Combo can also be dropped into the 3280 Single Sideburner cutout.

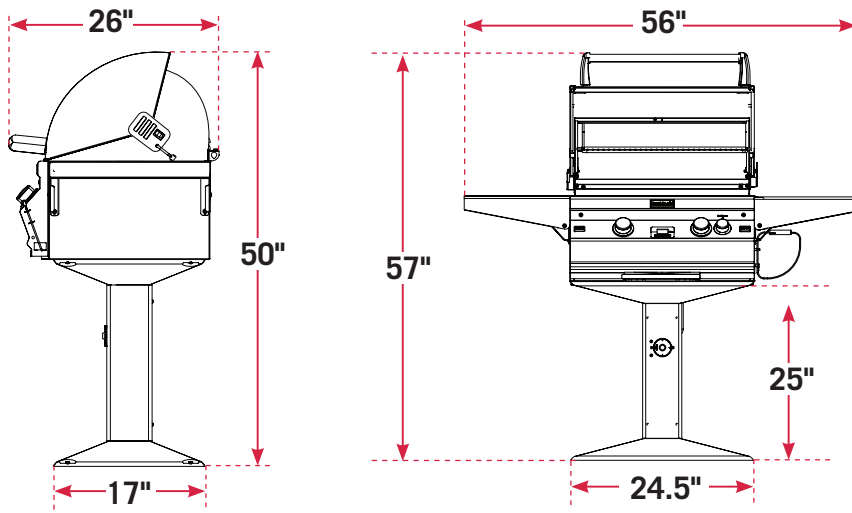
**CLASSIC CHARCOAL GRILLS**

DESCRIPTION	OPENING REQUIRED		
	WIDTH	DEPTH	HEIGHT
32" Lift-A-Fire Charcoal 3334	32 1/4"	19 3/4"	12"
24" Lift-A-Fire Charcoal 3339	24 3/4"	17 3/4"	12"
31" Firemaster 3324	31 1/4"	21 1/4"	12"
24" Firemaster 3329	24 1/4"	19 1/4"	12"

\*(-S) signifies STAINLESS STEEL  
w/o (-S) signifies BLACK POWDER COATED

# A430 Pedestal Dimensions

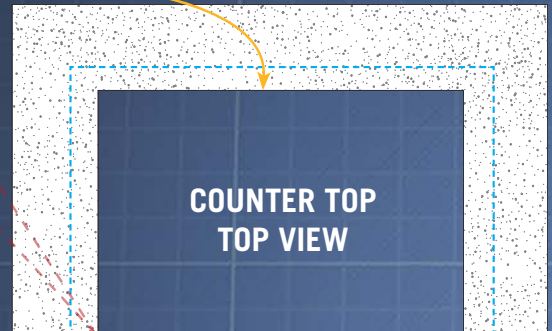
A430s-2E1N-P6



## Notes

1. There is a hanger on three sides of the cutout (SEE DETAIL 3).
2. The control panel (face) of the accessories is wider than the cutout width. This conceals the cutout space on the left & right hand sides.
3. Clearance of 10" on each side, and 3" at the rear of the oven is recommended for unrestricted operation of accessories. (18" from combustible surroundings on each side and rear)
4. Insulating liners must be used and are available for combustible surrounds. Double Side burner (3281), Single Side burner (3279-1) and Drop-In Side burner (3280) do not require an insulating liner (See page 6).

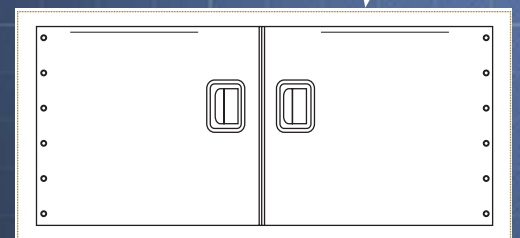
### Accessory Hanger Outline



DETAIL 3

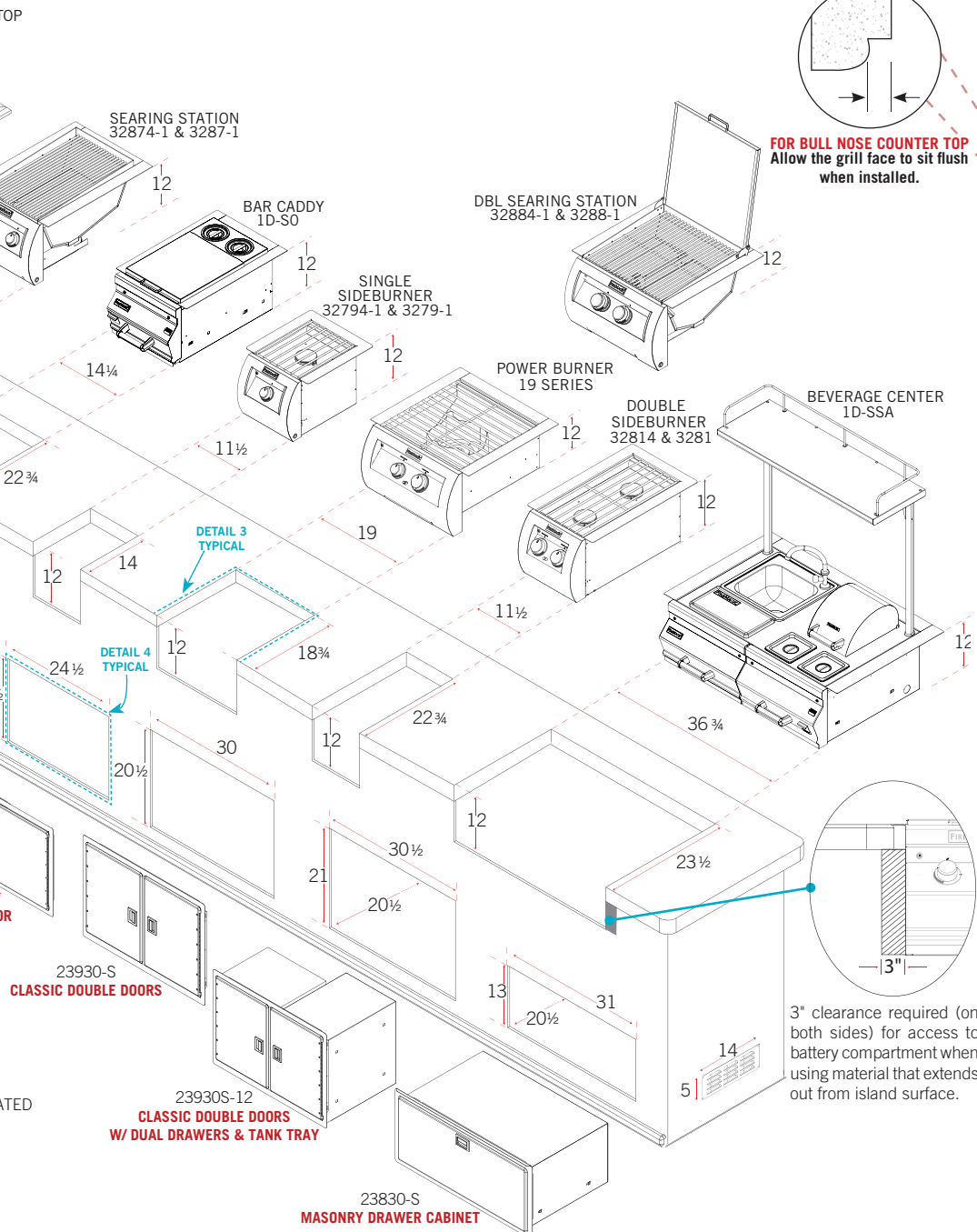
Accessory hanger varies in width (2"-2½" ALL AROUND) depending on the size & configuration of the accessory.

### Door/Drawer Frame Outline

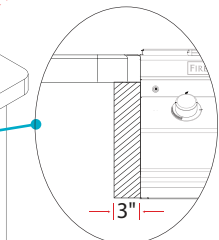


DETAIL 4

Door frame varies in width (1"-2" ALL AROUND) depending on the size & configuration of the door & drawer.



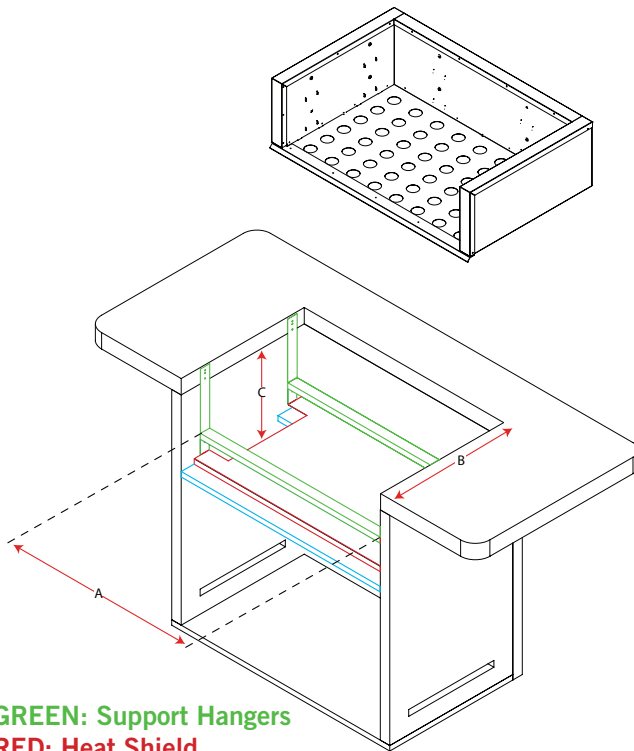
**FOR BULL NOSE COUNTER TOP**  
Allow the grill face to sit flush when installed.



3" clearance required (on both sides) for access to battery compartment when using material that extends out from island surface.

## INSULATING LINER MUST BE USED WHEN INSTALLING IN A COMBUSTIBLE ISLAND

Not used on Double Sideburner (3281), Single Sideburner (3279-1) or Drop-In Sideburner (3280)



**GREEN:** Support Hangers  
**RED:** Heat Shield  
**BLUE:** Combustibile Material

### GRILL CUT-OUT DIMENSIONS w/ INSULATING LINER

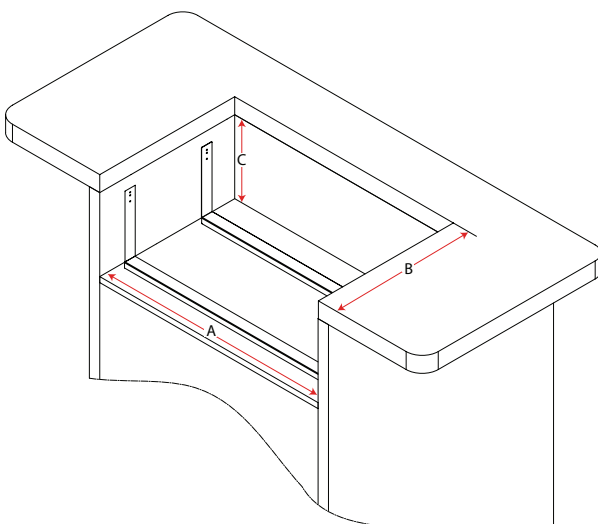
MODEL	OPENING REQUIRED		
	WIDTH	DEPTH	HEIGHT
	A	B	C
<b>Echelon E1060i</b>	55"	26"	12"
<b>Echelon E790i</b>	42 1/8"	26"	12"
<b>Echelon E660i</b>	36 3/8"	26"	12"
<b>Aurora A790i</b>	42 1/8"	26"	12"
<b>Aurora A660i</b>	36 3/8"	26"	12"
<b>Aurora A540i</b>	36 5/8"	22 1/8"	12"
<b>Aurora A530i</b>	30 1/8"	26"	12"
<b>Aurora A430i</b>	30 1/8"	22 1/8"	12"

Maintain proper clearance to combustibile materials.

**Notes:**

1. A nominal 1/16" gap around the back and sides of the liner is recommended for ease of installation.
2. The counter top material may be placed up to the insulating liner on the back and sides.
3. A minimum of 100 sq. in. in air ventilation is required at cabinet face.
4. Cabinet face may be made of combustibile material up to the front flange of the insulating liner.

*To install and operate the Fire Magic outdoor gas appliance, please refer to the Installation and Operating instructions and safety precautions shipped with the appliance.*

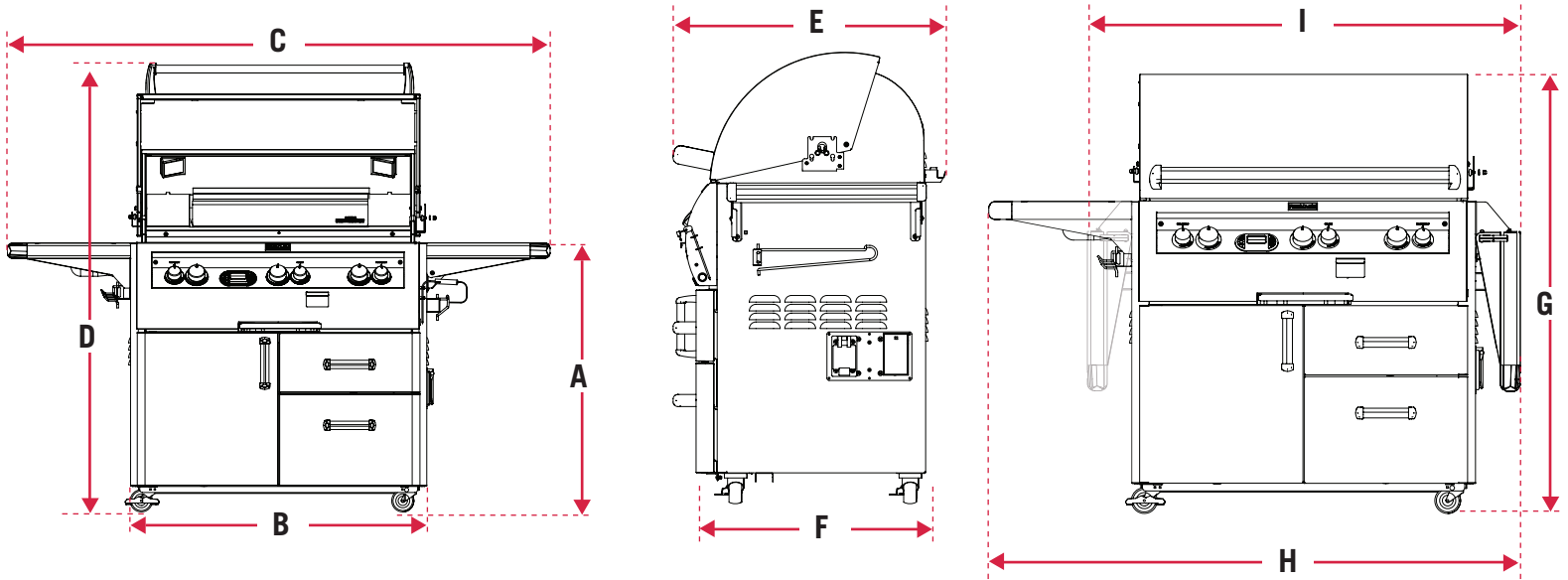


### ACCESSORY & LEGACY CUT-OUT DIMENSIONS w/ INSULATING LINER

MODEL	OPENING REQUIRED		
	WIDTH	DEPTH	HEIGHT
	A	B	C
<b>Deluxe</b>	28	19 3/8"	12 1/4"
<b>Power Burner</b>	22 5/8"	20 3/4"	12"
<b>Searing Station</b>	18 3/8"	24 3/4"	11 5/8"

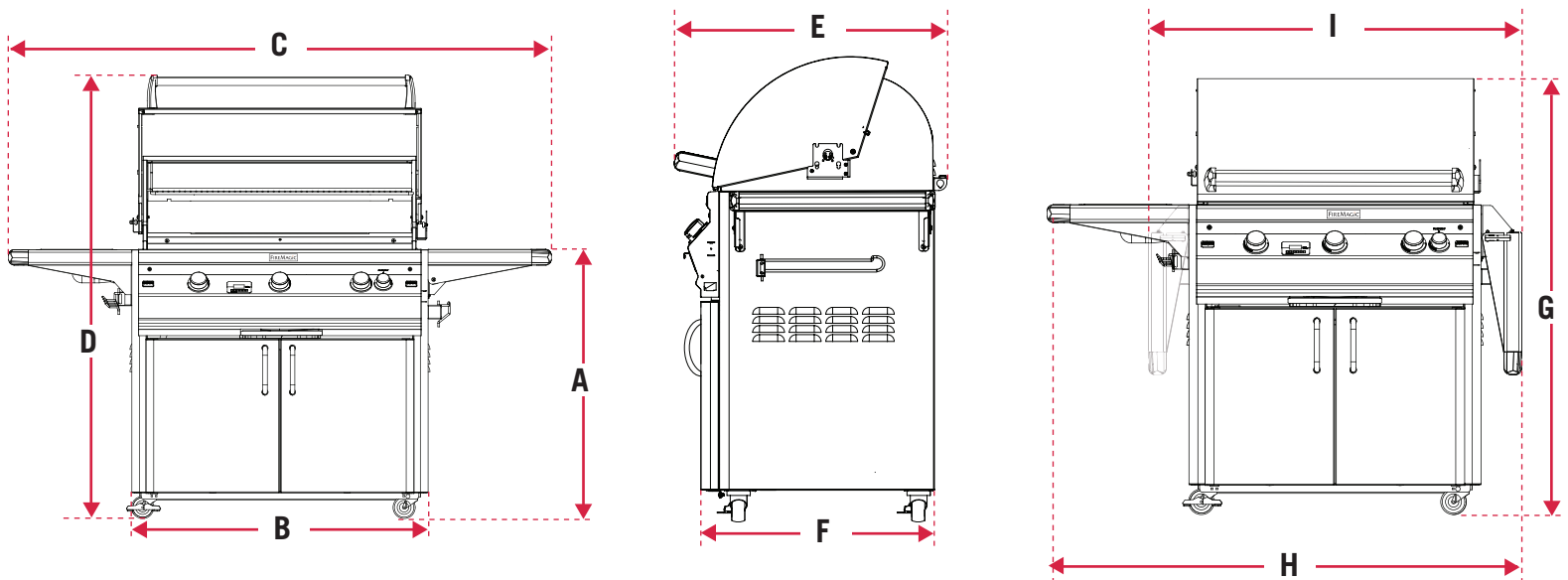
*The information provided is for reference only. Detailed instructions are supplied with the insulation liner, unique to the model selected. Read those instructions carefully and completely before starting installation of the liner.*

## ECHELON STAND ALONE

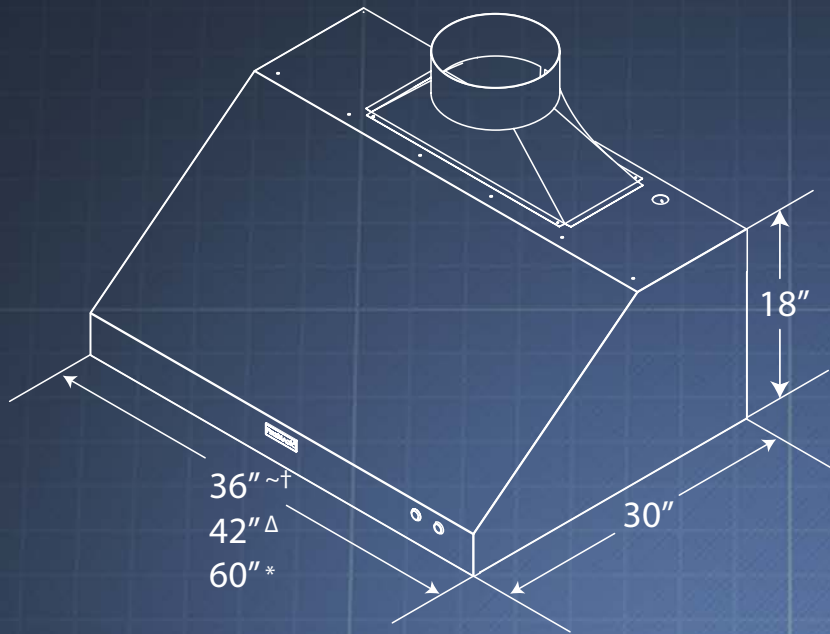


Model #	Series	Top of Face (A)	Cart Base (B)	Shelves Up (C)	Oven Open (D)	Max Outer (E)	Cart Base (F)	Oven Closed (G)	1-Up/1-Down (H)	Shelves Down (I)
E1060	62/63	37"	53"	86 1/4"	60 1/2"	29 3/4"	26"	52"	74 3/4"	n/a
E1060	51/71	37"	77 3/4"	111"	60 1/2"	29 3/4"	26"	52"	99 1/2"	88"
E790	62/63	37"	40"	73 1/4"	60 1/2"	29 3/4"	26"	52"	61 3/4"	n/a
E790	71	37"	58 3/4"	92"	60 1/2"	29 3/4"	26"	52"	80 1/2"	69"
E660	62/63	37"	34 1/4"	67 1/2"	60 1/2"	29 3/4"	26"	52"	56"	n/a
E660	71	37"	53"	86 1/4"	60 1/2"	29 3/4"	26"	52"	74 3/4"	63 1/4"

## AURORA STAND ALONE



Model #	Series	Top of Face (A)	Cart Base (B)	Shelves Up (C)	Oven Open (D)	Max Outer (E)	Cart Base (F)	Oven Closed (G)	1-Up/1-Down (H)	Shelves Down (I)
A660s	61/62	37"	32 1/2"	62 1/4"	60 1/2"	29 3/4"	26"	52"	52 1/2"	41 1/2"
A540s	61/62	37"	32 1/2"	62 1/4"	57"	25 3/4"	21 3/4"	50"	52 1/2"	41 1/2"
A530s	61/62	37"	26"	55 3/4"	60 1/2"	29 3/4"	26"	52"	46"	35 1/4"
A430s	61/62	37"	26"	55 3/4"	57"	25 3/4"	21 3/4"	50"	46"	35 1/4"



**SPECIFICATION**

Electrical requirements 110 volts, 60 hertz, 20 amp; GFI outlet.

Fans 12 VDC, 1400 CFM

Power supply † 12 VDC, 60 watts

**Models Available**

† 36-VH-4

~ 36-VH-3

Δ 42-VH-3

\* 60-VH-3

**FIRE MAGIC OUTDOOR GAS GRILL WARRANTY**

**LIFETIME WARRANTY**

FIRE MAGIC CAST STAINLESS STEEL BURNERS, STAINLESS STEEL ROD COOKING GRIDS, AND STAINLESS STEEL HOUSINGS ARE WARRANTED FOR AS LONG AS YOU OWN YOUR FIRE MAGIC GRILL.

**FIFTEEN YEAR WARRANTY**

FIRE MAGIC BRASS BURNERS, BRASS VALVES, MANIFOLD ASSEMBLIES, AND BACKBURNER ASSEMBLIES (EXCEPT IGNITION SYSTEMS) ARE WARRANTED FOR FIFTEEN (15) YEARS.

**TEN YEAR WARRANTY**

FIRE MAGIC ELECTRIC GRILLS, ELECTRIC GRILL STAINLESS STEEL COOKING GRIDS, AND ELECTRIC GRILL STAINLESS STEEL HOUSING ARE WARRANTED FOR TEN (10) YEARS.

**FIVE YEAR WARRANTY**

INFRARED BURNERS, CHARCOAL STAINLESS STEEL GRILLS, AND SMOKERS (EXCEPT FOR THE CHARCOAL PAN, CHARCOAL GRID, WOOD PELLET SCREEN, THERMOMETER, AND ASH TRAY WHICH ARE WARRANTED FRO ONE YEAR) ARE WARRANTED FOR FIVE (5) YEARS

**THREE YEAR WARRANTY**

FIRE MAGIC SIDEBURNERS AND ALL OTHER FIRE MAGIC GRILL COMPONENTS (EXCEPT IGNITION SYSTEMS AND ELECTRICAL PARTS) ARE WARRANTED FOR THREE (3) YEARS.

**ONE YEAR WARRANTY**

FIRE MAGIC IGNITION SYSTEMS (EXCLUDING BATTERIES), ELECTRICAL COMPONENTS (INCLUDING LIGHTS AND THERMOMETER), AND GRILL ACCESSORIES ARE WARRANTED FOR ONE (1) YEAR.

THE ROBERT H. PETERSON CO. RESERVES THE RIGHT TO AMEND PRODUCT SPECIFICATIONS WITHOUT PRIOR NOTICE.