

# A1AU6



Free-Standing Dual Fuel "Opera" Range,  
36", Anthracite

Exclusive professional style  
AISI 304 Stainless Steel  
Ergonomic control knobs

OVEN  
Multifunction oven with 9 cooking modes  
Digital analogue LED electronic clock/  
program feature  
Stay clean liners  
Air cooled door  
Triple glazed removable door  
Halogen oven lights  
Storage drawer beneath the oven

Oven capacity: 3.2 Cu. Ft.  
Usable oven capacity: 2.47 Cu. Ft.  
Bake element: 1900W at 240V - 1600W  
at 208V  
Broil element: 1750W at 240V - 1450W  
at 208V  
Convection element: 2750W at 240V -  
2250W at 208V

GAS RANGETOP  
Heavy duty cast iron grates  
Full width grates  
Sealed burners  
Automatic electronic ignition  
Safety valves  
LP Gas conversion kit included

5 Gas burners:  
Front right: 5,200 BTU burner  
Back right: 10,000 BTU rapid burner  
Central: 3,000 (inner) - 12,000 (outer) BTU  
double inset super burner  
Back left: 10,000 BTU rapid burner  
Front left: 10,000 BTU burner  
4" Stainless steel backsplash as standard

Voltage rating: 240/208V - 60Hz  
Connected load (nominal power): 240/208V-  
4.3/3.7kW

Amps @ 240/208V: 15.5 / 13

Gas inlet location: Back right top

ACCESSORIES INCLUDED:  
2 baking trays  
1 wire rack  
1 rotisserie kit  
1 wok ring

## OPTIONS

- KIT1A1-6 - 29 ½" Stainless steel backsplash
- KIT2A1A-2 - Kick plate
- KIT3A6 - Height extension (to rise appliance 2")
- KIT4A1A - Deep kick plate (for use with KIT3A6)



- KD90XU - Wall mounted hood, stainless steel, 90 cm (approx. 36 inch)
- GTA-6 - 3 Level telescopic shelf set
- WOKGHU - Cast iron wok ring
- TPKX - Tepenjaki grill plate

#### **VERSIONS**

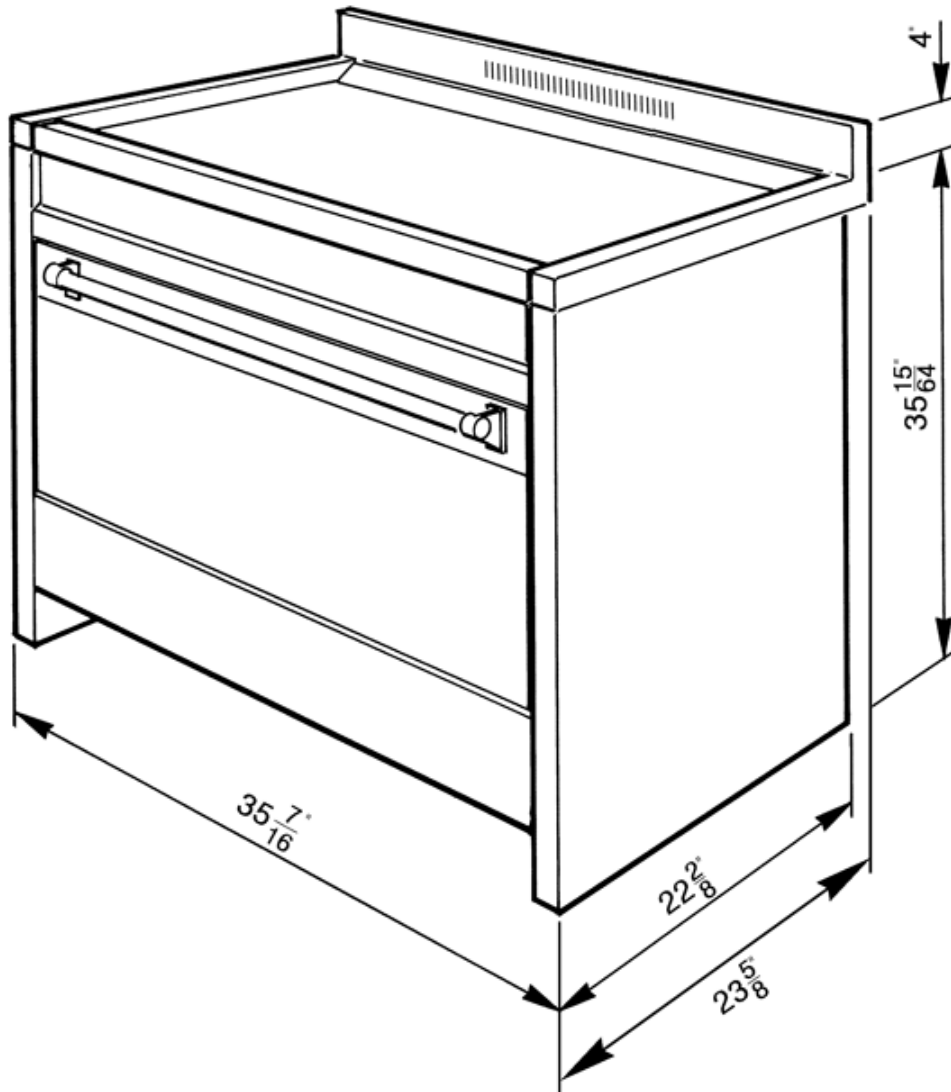
---

- A1XU6 - Stainless steel
- A1PU6 - Cream
- A1RWU6 - Glossy red wine
- A1NU6 - Glossy black

# A1AU6



Free-Standing Dual Fuel "Opera" Range,  
36", Anthracite



**SMEG USA INC.**  
A&D BUILDING  
150 EAST 58th STREET  
7th FLOOR  
NEW YORK, NY, 10155