

PERFORMANCE DATA NO LOAD & NO DOOR OPENINGS AT MID-POINT CONTROL SETTING		
Type A with Run/Start Capacitor	65°F (18°C) Ambient	90°F (32°C) Ambient
Operating Time	75 to 85%	90 to 100%
Freezer Temperature	0° to 4°F (-18° to -16°C)	-1° to 3°F (-18° to -16°C)
Refrigerator Temperature	34° to 39°F (1° to 4°C)	34° to 39°F (1° to 4°C)
Low Side Pressure (cut-in)	-4 to 0 psig (-27 to 0 kPa)	N/A
Low Side Pressure (cut-out)	-9 to -11 psig (-62 to -76 kPa)	-9 to -11 psig (-62 to -76 kPa)
High Side Pressure (Last 1/3 of cycle)	32 to 40 psig (221 to 276 kPa)	53 to 63 psig (365 to 434 kPa)
Wattage (Last 1/3 of cycle)	33 to 43	55 to 65
Amps (Running)	0.4 to 0.6	0.6 to 0.8
Base Voltage	115 vac (127 vac max)	115 vac (127 vac max)
Refrigerant Charge	26' & CD = 65g/23' = 59g	

DEFROST SPECIFICATIONS				
Cabinet Size	Thermostat		Heater	
	Cut-In	Cut-Out	Watts	Ohms
23' & 26'	25°F (-4°C)	39.2°F (4°C)	225	58.8
Electronic Timer - (ADC) Defrost 24 minutes every 6 to 72 hours of compressor run time.				

CONDENSER FAN MOTOR		
Watts	RPM	Amps
3.1 (Energy Star - Some models)	1100 CW Opposite Shaft	.03 Running

ICE MAKER SPECIFICATIONS		
Electrical	115 vac (127 vac max)	60 Hertz

ICE MAKER PLUG CONNECTIONS		
Wire Number	Wire Color	Connect to:
1	Lt. Blue	Neutral
2	Yellow	Water Valve
3	Black	Line

ICE MAKER INFORMATION

Turn the IM ON and OFF: Press and hold the **POWER** button for ½ second to turn the IM ON and OFF. When the IM is ON, the **POWER** button will illuminate solid green.

Test Cycling: Press and release the **TEST/SERVICE** button to start the self-diagnostic function. The tray will perform 2 rotations. The ice level arm must be held so that it does not drop during the first rotation (simulating full ice bin). Once the tray returns to the Home position, the arm can be released. Allow the arm to drop normally during the second rotation (simulating empty ice bin). Once the tray returns Home after the second rotation, the **POWER** button will change back to solid green if no errors were detected during the test. This means the IM operates properly. If errors are detected at any time during the test, the test will stop immediately and the **POWER** button will blink rapidly and continuously. In this case, there is some internal failure of the IM. **NOTE: If the arm is not held during the first rotation, the IM will indicate a failure falsely.** To run the test again to verify, the IM must be turned OFF and back ON.

Manual Water Fill: Press and hold the **TEST/SERVICE** button for 3+ seconds.

Adjust Water Fill Size: Press and hold the **POWER** and **TEST/SERVICE** buttons together for 3 seconds. The **POWER** button will blink to show the current setting. 1 blink + small, 2 blinks + med, 3 blinks + large, 4 blinks = extra large. Press the **TEST/SERVICE** button to advance to the next level. When at extra large, the next press goes back to small. The factory default is small.

SPECIAL MODES			
MODE	DISPLAY	ACTIVATE	DEACTIVATE
Demo/Showroom	No Display	Press and hold Freezer Temp and Water Filter until you hear a beep (10 seconds).	Press and hold Freezer Temp and Water Filter until you hear a beep (10 seconds) or until you unplug the unit.

CAUTION

All electrical parts and wiring must be shielded from torch flame. DO NOT allow torch to touch insulation; it will char at 200°F and flash ignite (burn) at 500°F. Excessive heat will distort the plastic liner.

SERVICE DATA SHEET

A18520503

ICE & WATER - AUTOMATIC DEFROST SIDE BY SIDE MODELS - R600a

IMPORTANT SAFETY NOTE

The information provided herein is designed to assist qualified repair personnel only. Untrained persons should not attempt to make repairs due to the possibility of electrical shock. Disconnect power cord before servicing this appliance.

IMPORTANT

If any green grounding wires are removed during servicing, they must be returned to their original position and properly secured.

SYSTEM DIAGNOSTIC MODE

Activate Press and hold **Refrigerator Temp** and **Water Filter** until you hear a beep (10 sec.). Upon entering the diagnostic mode all loads will be turned off and the damper closed. Press **Water Filter** to advance through tests. Loads that are turned on will turn off when advanced to the next test.

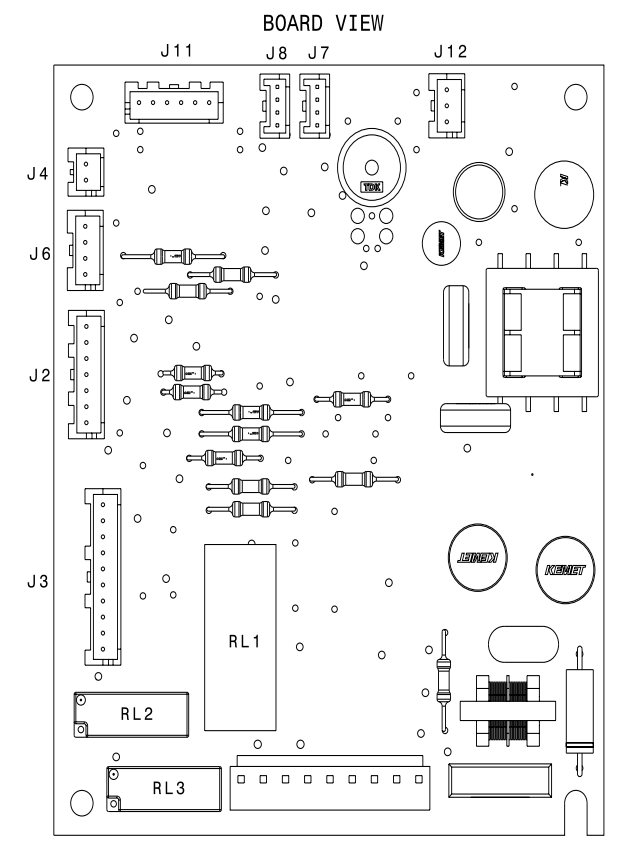
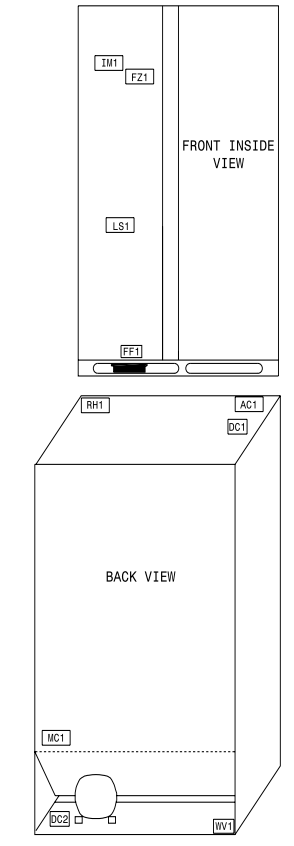
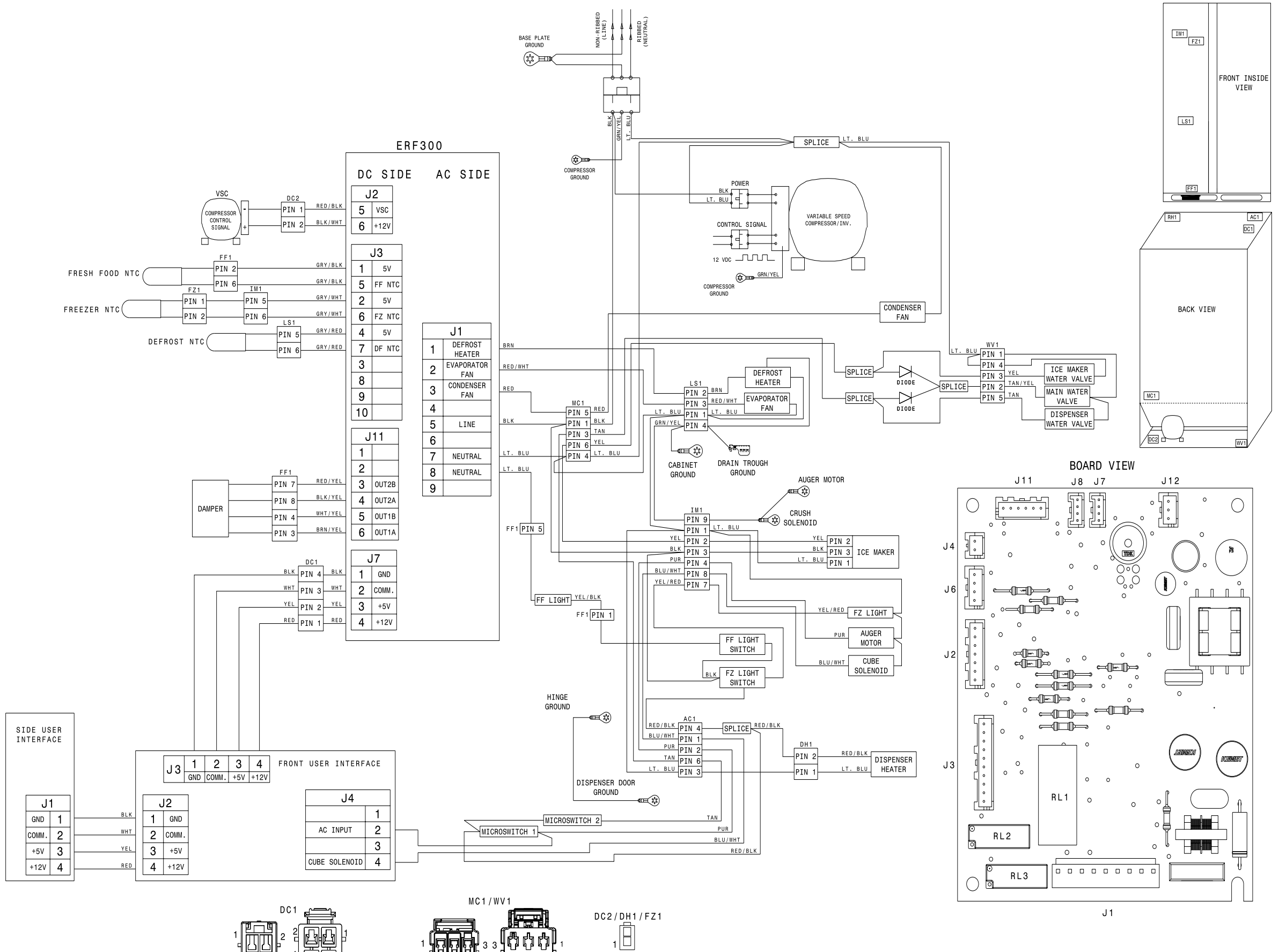
Deactivate It will exit automatically after 10 min. of inactivity. To manually exit, press and hold **Refrigerator Temp** and **Water Filter** until you hear a beep (10 sec.) The unit will restart and resume the previous temp settings.

SYSTEM DIAGNOSTIC MODE				
Legend LED OFF: ● LED ON: ○ LED BLINKING: ⚙				
Test Sequence	LED Sequence	Test	Activation/Deactivation	Test Description
1	○	LEDs Test 1	Activates Automatically	All User Interface LEDs (10 temp setting LEDs, 6 filter LEDs on side UI, 3 mode LEDs, and 5 alarm LEDs on front UI) will turn ON.
	○			
	○			
	○			
2	●	LEDs test 2		All User Interface LEDs (10 temp setting LEDs and 6 filter LEDs on side UI, 3 mode LEDs, and 5 alarm LEDs on front UI) will turn OFF.
	●			
	●			
	●			
3	●	Defrost Heater		The Freezer Temp Cold LED will be on or off to indicate if the load is on or off at that time. The heater will turn off after 5 minutes or if the Evaporator Temp Sensor is above 45°C (113°F).
	●			
	○			
	●			
4	●	Evaporator Fan	Press and release Air Filter to turn on/off	Freezer Temp Cold LED will be on or off to indicate if the load is on or off at that time.
	●			
	○			
	⚙			
5	●	Cube Solenoid		Freezer Temp Cold LED will be on or off to indicate if the load is on or off at that time. Note: Should be able to hear relay engage behind front UI.
	●			
	○			
	●			
6	●	Condenser Fan	Press and release Air Filter to turn on/off	Freezer Temp Cold LED will be on or off to indicate if the load is on or off at that time.
	●			
	○			
	○			

NOTE: See **Error Codes** on back.

SYSTEM DIAGNOSTIC MODE				
Legend LED OFF: ● LED ON: ○ LED BLINKING: ⚙				
Test Sequence	LED Sequence	Test	Activation/Deactivation	Test Description
7	●	VSC Compressor		Freezer Temp Cold LED will be on or off to indicate if the load is on or off at that time.
	○			
	⚙			
	●			
8	●	Dispenser Lights	Press and release Air Filter to turn on/off	
	○			
	○			
	●			
9	●	Damper		The Air Filter Replace LED will blink slowly (on 1.5 second, off 1.5 second, etc.) while damper opens/closes. The Freezer Temp Cold LED will turn on and stay on if damper fully opens. The Freezer Temp Cold LED will turn off and stay off if damper fully closes.
	○			
	●			
	○			
10	○	Door Switch	Open/Close FZ Door or use magnet to simulate Open/Closed FZ Door sensor located on side UI behind Water Filter Order LED	Freezer Temp Cold LED will turn off and stay off if door is closed/magnet is on sensor. Freezer Temp Cold LED will turn on and stay on if door is open/magnet is off sensor.
	○			
	●			
	○			
11	⚙	Fresh Food Temperature Sensor		The Freezer Temp Cold LED will turn on and stay on if the fresh food sensor is good. The Freezer Temp Cold LED will blink fast (on 0.5 second, off 0.5 second, etc.) if sensor is shorted. The Freezer Temp Cold LED will blink slowly (on 1.5 second, off 1.5 second, etc.) if sensor has an open circuit.
	○			
	○			
	●			
12	⚙	Freezer Temperature Sensor		The Freezer Temp Cold LED will turn on and stay on if the freezer sensor is good. The Freezer Temp Cold LED will blink fast (on 0.5 second, off 0.5 second, etc.) if sensor is shorted. The Freezer Temp Cold LED will blink slowly (on 1.5 second, off 1.5 second, etc.) if sensor has an open circuit.
	○			
	○			
	●			
13	⚙	Ambient Temperature Sensor	Activates Automatically	The Freezer Temp Cold LED will turn on and stay on if the ambient sensor (on the main board) is good. The Freezer Temp Cold LED will blink fast (on 0.5 second, off 0.5 second, etc.) if sensor is shorted. The Freezer Temp Cold LED will blink slowly (on 1.5 second, off 1.5 second, etc.) if sensor has an open circuit.
	○			
	○			
	⚙			
14	⚙	Evaporator Temperature Sensor		The Freezer Temp Cold LED will turn ON and stay on if the evaporator sensor is good. The Freezer Temp Cold LED will blink fast (on 0.5 second, off 0.5 second, etc.) if sensor is shorted. The Freezer Temp Cold LED will blink slowly (on 1.5 second, off 1.5 second, etc.) if sensor has an open circuit.
	○			
	⚙			
	●			
15	⚙	LEDs test 3		The Refrigerator Temp setting LEDs will blink on and off one at a time in sequence. Note: Only Refrigerator Temp LEDs will blink.
	⚙			
	⚙			
	⚙			

ERROR CODE TABLE	
OFF: ●	BLINKING: ⚙
Meaning	Display
No Communication to Main Board	●
	●
	⚙
	⚙
FZ Cavity Temp Sensor (FZ Temp Display)	●
	●
	⚙
	⚙
FZ Evaporator Temp Sensor (FZ Temp Display)	●
	●
	⚙
	⚙
FF Cavity Temp Sensor (FF Temp Display)	●
	●
	⚙
	●



INLINE CONNECTOR ABBREVIATION KEY	
ABBR.	EXPLANATION
AC1	6 PIN CONNECTION IN FZ DOOR HINGE
DC1	4 PIN CONNECTION IN FZ DOOR HINGE
DC2	2 PIN CONNECTION TO COMPRESSOR
DH1	2 PIN CONNECTION TO DISPENSER HEATER BEHIND UI
FF1	8 PIN CONNECTION TO FRESH FOOD CABINET
FZ1	2 PIN CONNECTION TO FZ THERMISTOR
IM1	9 PIN CONNECTION TO ICEMAKER
LS1	9 PIN CONNECTION TO LOW SIDE EVAPORATOR COMPARTMENT
MC1	6 PIN CONNECTION TO MACHINE COMPARTMENT
WV1	6 PIN CONNECTION TO WATER VALVES

