

ELKAY®**IMPORTANT CONSUMER INFORMATION**

sinks + faucets

**ELKAY LIMITED LIFETIME FAUCET WARRANTY
ON RESIDENTIAL FAUCETS****Limited Lifetime Functional and Finish Warranty**

Elkay warrants to the original consumer purchaser that the Elkay faucet purchased will be free from defects in material and workmanship for as long as the original consumer purchaser owns the faucet. Elkay will, at its option, supply replacement parts (or if no longer available a comparable product) if the faucet fails due to a defect in material or workmanship. This warranty does not apply in the event of product surface damage caused by abuse, misuse or improper care and maintenance. This warranty excludes damage caused by harsh or abrasive cleaners and/or materials. This warranty excludes all industrial, commercial and business use, whose purchasers are hereby extended a limited lifetime on mechanical parts and 5 years on finish. Product replacement does not include transportation cost or labor installation cost. Elkay reserves the right to examine product in question and its installation prior to replacement.

OTHER WARRANTY CONDITIONS ON FAUCETS

Our warranty does not cover product failure or damage caused by abusive treatment, misuse, environmental factors, improper care and cleaning, or damage due to handling or faulty installations. This warranty is extended only to the original consumer purchaser of the product. This warranty does not cover shipping costs, labor costs, or any other charges for such items as installation or replacement of the sink, diagnosis or replacement of any faucet or component part, or any other expense or loss.

All incidental or consequential damages are specifically excluded. No additional warranties, express or implied are given. Any implied warranty, including one of merchantability or fitness for a particular purpose, is limited to the duration of this written warranty.

Some states do not allow the exclusion or limitation of incidental or consequential damages or limitations on how long an implied warranty lasts, so the above limitations or exclusions may not apply to you.

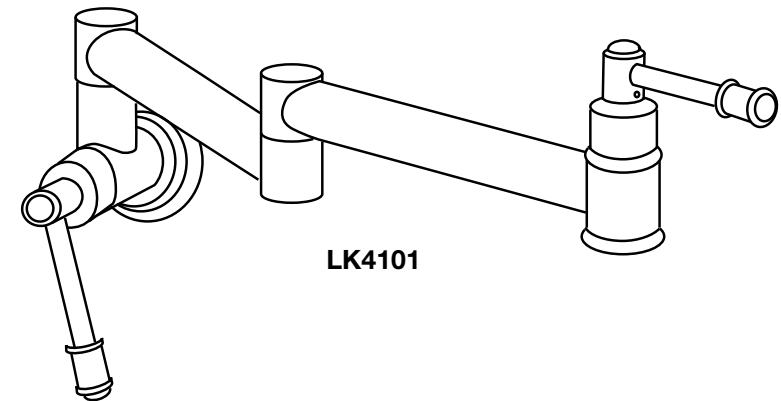
This warranty gives you specific legal rights, and you may also have other rights which vary from state to state.

TO OBTAIN SERVICE UNDER WARRANTY

1. Write to: Elkay
Attention: Consumer Services
2222 Camden Court
Oak Brook, IL 60523
2. Include a letter containing the following information:
 - a. Date of purchase and installation
 - b. Description of nature of defect
 - c. Model number or description of model and/or component part if possible.

ELKAY®**Installation Instructions**

sinks + faucets

**How to Install
Oldare™ Wall Mount
Faucet****SAVE FOR CONSUMER****Elkay**

elkayusa.com

2222 Camden Court
Oak Brook, IL 60523Printed in U.S.A.
©2007 Elkay

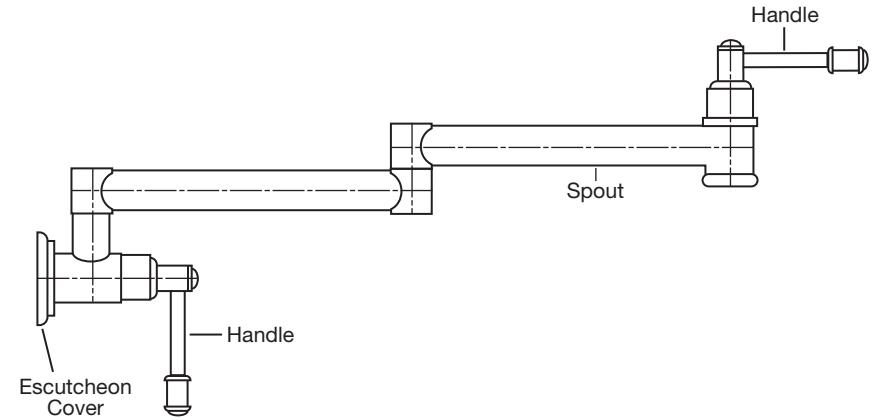
(9/07) A-75212

ELKAY • 2222 CAMDEN COURT • OAK BROOK, IL 60523

Installation Instructions for LK4101

1. Turn off the water supply.
2. If there is an existing pot filler to be removed, turn on first to confirm water supply is off, then remove old pot filler.
3. Clean and dry area where pot filler is to be installed.
4. Connect adapters to valve body with thread sealant.
5. Use a strap wrench when tightening the pot filler connections. DO NOT tighten using the spout.
6. Slide the trim ring onto the pot filler body before final installation. Connect the pot filler to the supply using 1/2 NPT nipple. Size nipple to accommodate finish wall dimensions. Use a strap wrench to tighten until a watertight seal is made and the pot filler is positioned.
7. Open pot filler valves (do not turn on the water supply yet) and remove the aerator.
8. Turn on the water supply, and let run for 15-30 seconds to flush system.
9. Turn the pot filler off and replace the aerator.

Valve Body, Handles and Spout



Care and Cleaning Instructions

Your Elkay faucet has been constructed of the finest materials, however, certain precautions must be taken to maintain the lustrous decorative finish.

Do not use abrasive cleansers or harsh chemical cleansers on this product which could damage the finish. Never use alcohol or other organic solvents.

A warm water wash with a wipe down using a soft cloth will generally remove dry water spots.

A high quality wax, which does not contain abrasives, should be applied periodically to preserve the fine finish of your faucet.

Dry the product after use if the water is very hard or aggressive, as it may leave deposits which would damage the surface.