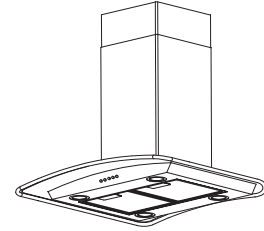


CHIMNEY RANGE HOOD

To register this product visit:
www.broan.com



READ AND SAVE THESE INSTRUCTIONS

⚠ INTENDED FOR DOMESTIC COOKING ONLY. ⚠

⚠ WARNING

TO REDUCE THE RISK OF FIRE, ELECTRIC SHOCK, OR INJURY TO PERSON(S) OBSERVE THE FOLLOWING:

1. Use this unit only in the manner intended by the manufacturer. If you have questions, contact the manufacturer at the address or telephone number listed in the warranty.
2. Before servicing or cleaning unit, switch power off at service panel and lock service disconnecting means to prevent power from being switched on accidentally. When the service disconnecting means cannot be locked, securely fasten a prominent warning device, such as a tag, to the service panel.
3. Installation work and electrical wiring must be done by qualified personnel in accordance with all applicable codes and standards, including fire-rated construction codes and standards.
4. Sufficient air is needed for proper combustion and exhausting of gases through the flue (chimney) of fuel burning equipment to prevent backdrafting. Follow the heating equipment manufacturer's guidelines and safety standards such as those published by the National Fire Protection Association (NFPA), the American Society for Heating, Refrigeration and Air Conditioning Engineers (ASHRAE) and the local code authorities.
5. When cutting or drilling into wall or ceiling, do not damage electrical wiring and other hidden utilities.
6. Ducted fans must always be vented to the outdoors.
7. Do not use this unit with any other solid-state speed control device.
8. To reduce the risk of fire, use only steel ductwork.
9. This unit must be grounded.

TO REDUCE THE RISK OF A RANGE TOP GREASE FIRE:

- a) Never leave surface units unattended at high settings. Boilovers cause smoking and greasy spillovers that may ignite. Heat oils slowly on low or medium settings.
- b) Always turn hood ON when cooking at high heat or when cooking flaming foods (i.e. Crêpes Suzette, Cherries Jubilee, Peppercorn Beef Flambé).
- c) Clean ventilating fans frequently. Grease should not be allowed to accumulate on fan or filters.
- d) Use proper pan size. Always use cookware appropriate for the size of the surface element.

⚠ WARNING

TO REDUCE THE RISK OF INJURY TO PERSON(S) IN THE EVENT OF A RANGE TOP GREASE FIRE, OBSERVE THE FOLLOWING*:

1. SMOTHER FLAMES with a close-fitting lid, cookie sheet, or metal tray, then turn off the burner. BE CAREFUL TO PREVENT BURNS. IF THE FLAMES DO NOT GO OUT IMMEDIATELY, EVACUATE AND CALL THE FIRE DEPARTMENT.
2. NEVER PICK UP A FLAMING PAN – You may be burned.
3. DO NOT USE WATER, including wet dishcloths or towels – This could cause a violent steam explosion.
4. Use an extinguisher ONLY if:
 - A. You know you have a Class ABC extinguisher and you know how to operate it.
 - B. The fire is small and contained in the area where it started.
 - C. The fire department has been called.
 - D. You can fight the fire with your back to an exit.

* Based on "Kitchen Fire Safety Tips" published by NFPA.

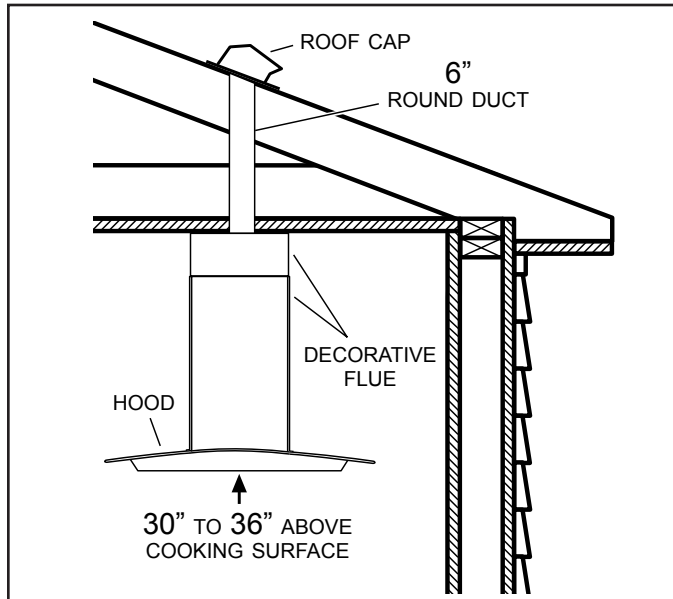
CAUTION

1. For general ventilating use only. Do not use to exhaust hazardous or explosive materials and vapors.
2. To avoid motor bearing damage and noisy and/or unbalanced impeller, keep drywall spray, construction dust, etc. off power unit.
3. Do not use over cooking equipment greater than 60,000 BTU/hr. as the blower motor will shut down intermittently.
4. Your hood motor has a thermal overload which will automatically shut off the motor if it becomes overheated. The motor will restart when it will cool down. If the motor continues to shut off and restart, have the hood serviced.
5. The bottom of the hood MUST NOT BE LESS than 30" and at a maximum of 36" above cooktop for best capture of cooking impurities.
6. Two installers are recommended because of the size of this hood.
7. To reduce risk of fire and to properly exhaust air, be sure to duct air outside. Do not exhaust air into spaces within walls or ceilings or into attics, crawl spaces, or garages.
8. Be careful when installing the decorative flue and hood, they may have sharp edges.
9. Please read specification label on product for further information and requirements.

INSTALLER: LEAVE THIS GUIDE TO THE HOMEOWNER.

HOMEOWNER: OPERATION AND MAINTENANCE INFORMATION ON PAGE 8.

INSTALL THE DUCTWORK (Ducted Hoods Only)



1. Decide where the ductwork will run between the hood and the outside.
2. A straight, short duct run will allow the hood to perform most efficiently.
3. Long duct runs, elbows and transitions will reduce the performance of the hood. Use as few of them as possible. Larger ducting may be required for best performance with longer duct runs.
4. Install wall cap or roof cap. Connect round metal ductwork to cap and work back towards the hood location. Use duct tape to seal the joints between ductwork sections.

MEASURE THE INSTALLATION

The minimum hood distance above cooktop **MUST NOT BE LESS** than 30".

A maximum of 36" above cooktop is highly recommended for best capture of cooking impurities.

Distances over 36" are at the installer and users discretion; providing that the ceiling height permits.

NOTE:

On 8-ft. ceilings

Hood distance above cooktop is:
 Minimum 30", Maximum 32¼" (for ducted discharge)
 Minimum 30", Maximum 30½" (for non-ducted discharge)

On 9-ft. ceilings

Hood distance above cooktop is:
 Minimum 30", Maximum 36" (for both ducted and non-ducted discharge).

On 10-ft. ceilings

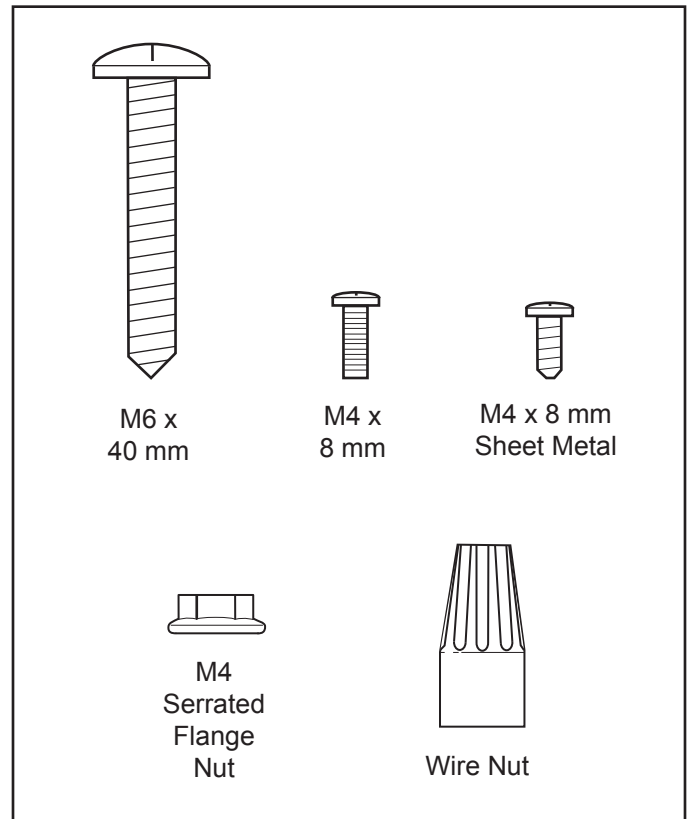
Hood distance above cooktop is:
 Minimum 30", Maximum 36" (for both ducted and non-ducted discharge).

NOTE: 10-ft. ceilings require 10-ft. Flue Extension, Model FXN59SS for ducted or non-ducted installations (purchase separately).

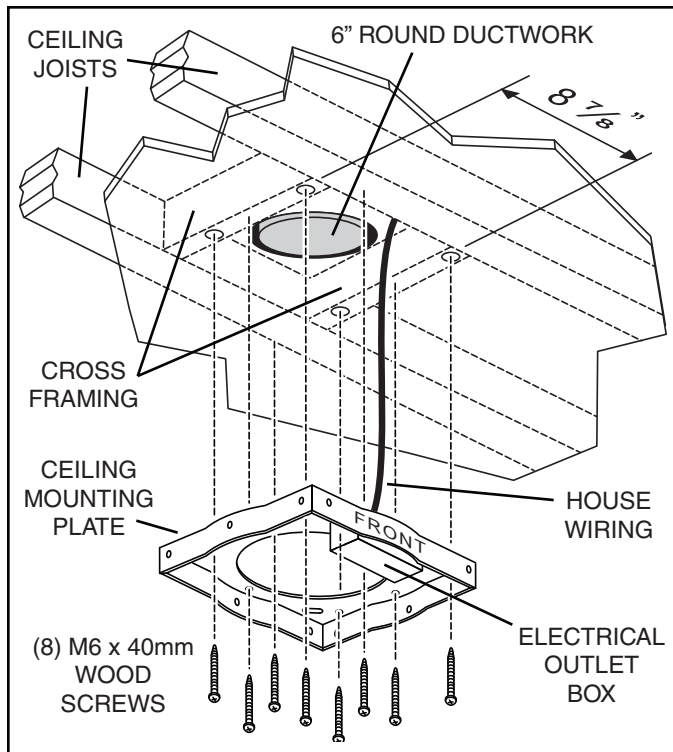
PREPARE THE HOOD

Unpack hood and check contents. You should receive:

- 1 - Hood
- 1 - Metal Canopy
- 1 - Decorative Flue Assembly (2 pcs.)
- 1 - Damper / Duct Connector
- 1 - Ceiling Mounting Plate
- 8 - Angle Brackets
- 2 - Aluminum Grease Filters (installed in hood)
- 1 - Parts Bag containing:
 - 8 - Mounting Screws (M6 x 40mm Pan Head)
 - 46 - Machine Screws (M4 x 8mm Pan Head)
 - 20 - Serrated Flange Nuts (M4)
 - 8 - Sheet Metal Screws (M4 x 8mm Phillips Head)
 - 3 - Wire Nuts

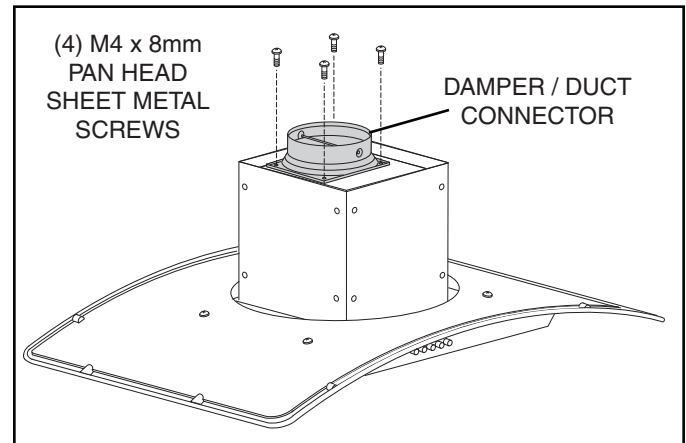


INSTALL CEILING SUPPORT



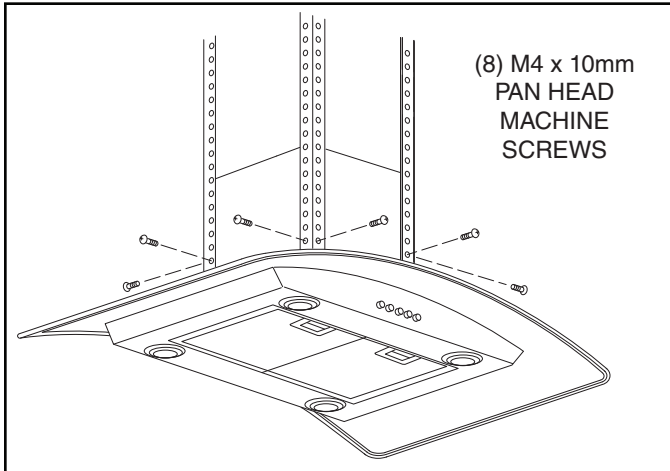
1. At hood location install 2 x 4 cross framing between ceiling joists using dimensions shown. Make sure framing does not interfere with electrical outlet box opening in ceiling mounting plate.
2. Install house wiring and ductwork.
3. Finish ceiling surface. Be sure to mark the location of the ceiling joists & cross framing. Bring house wiring through finished ceiling.
4. Remove cover from electrical outlet box on ceiling mounting plate. Pull house wiring through hole on top of mounting plate and into electrical outlet box. Secure house wiring cable to mounting plate / electrical box with appropriate connector.
5. Install ceiling mounting plate with the side marked "front" at the desired hood location. Secure using (8) M6 x 40mm wood screws. Make sure screws are driven into the center of the framing for maximum strength.

PREPARE THE HOOD

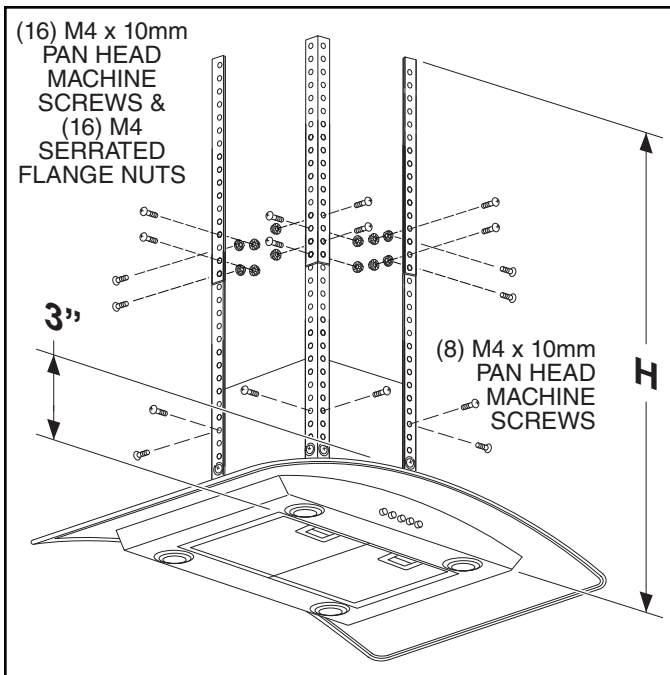


1. Place the hood on flat surface with protection to insure the hood is not damaged.
2. Attach the damper / duct connector to the hood with (4) M4 x 8mm pan head sheet metal screws.

INSTALL THE HOOD (Ducted Installation Only)



1. Assemble (4) angle brackets to the lower hood mounting locations using (8) M4 x 10mm pan head machine screws (2 for each angle bracket).



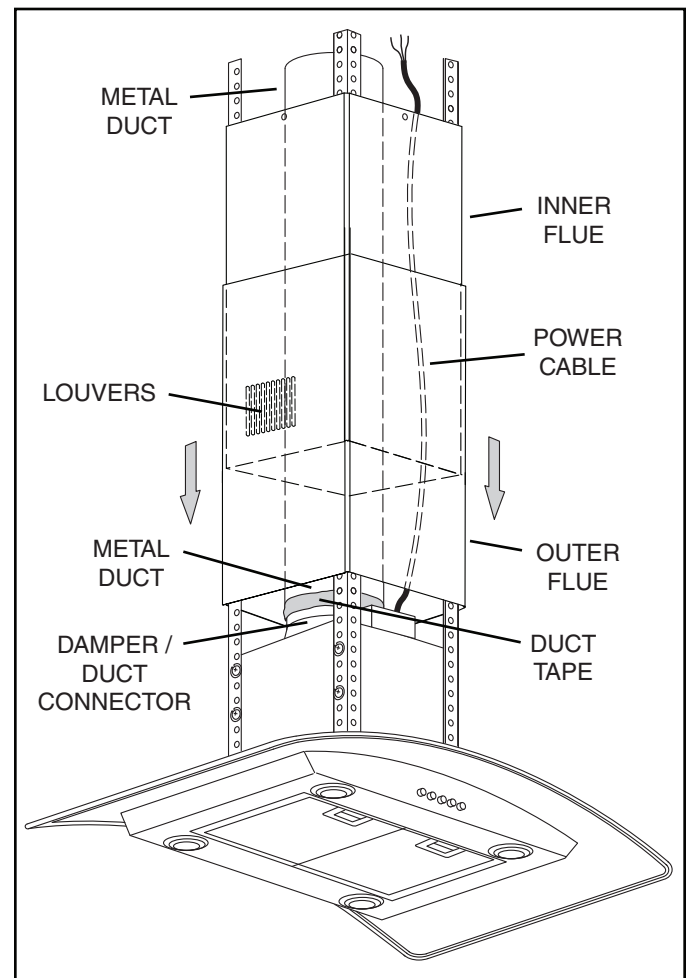
2. Determine dimension "H" based upon ceiling height and height of hood installation above cooktop:

| | | |
|----------------|---------------------------------------|------------------------|
| 8-ft. ceiling | Hood 30" above cooktop | H = 30" |
| | Hood 32 $\frac{1}{4}$ " above cooktop | H = 27 $\frac{3}{4}$ " |
| 9-ft. ceiling | Hood 30" above cooktop | H = 42" |
| | Hood 36" above cooktop | H = 36" |
| 10-ft. ceiling | Hood 30" above cooktop | H = 54" |
| | Hood 36" above cooktop | H = 48" |

For 10-ft. ceilings: Purchase a 10-ft. flue extension (Model FXN59SS) which includes (4) additional angle mounting brackets, (1) longer upper flue, and additional mounting hardware.

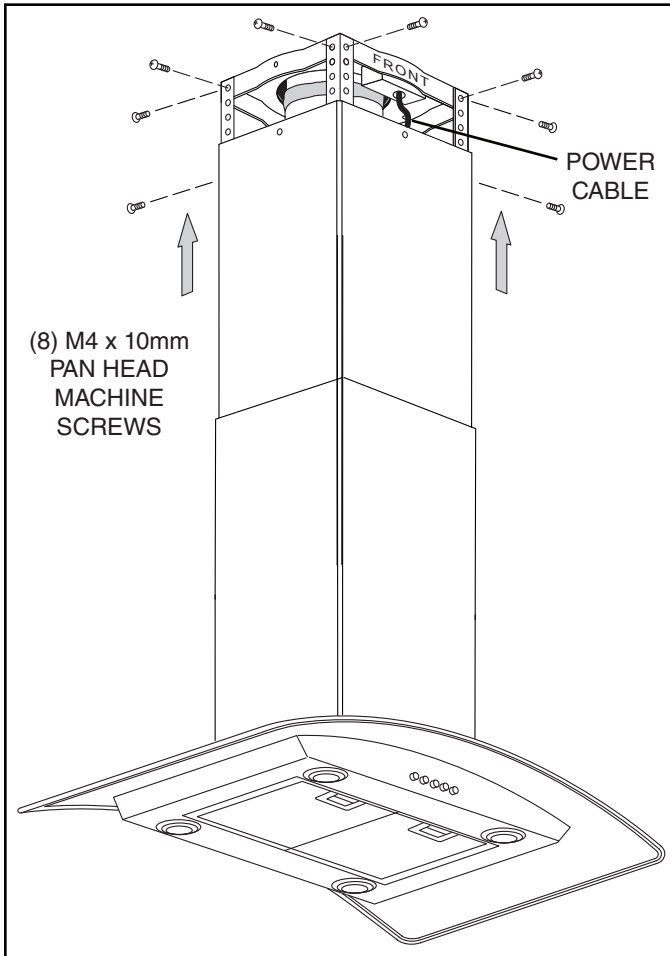
3. Attach the upper set of (4) angle brackets to the outside of the lower angle brackets according to dimension "H". Use (16) M4 x 10mm pan head machine screws and (16) M4 serrated flange nuts (4 at each angle bracket connection).
4. Attach the angle bracket assemblies to the upper hood mounting locations using (8) M4 x 10mm pan head machine screws (2 for each angle bracket).

For 10-ft. ceilings: Attach a third set of (4) angle brackets to the inside of the second set of angle brackets using hardware supplied.

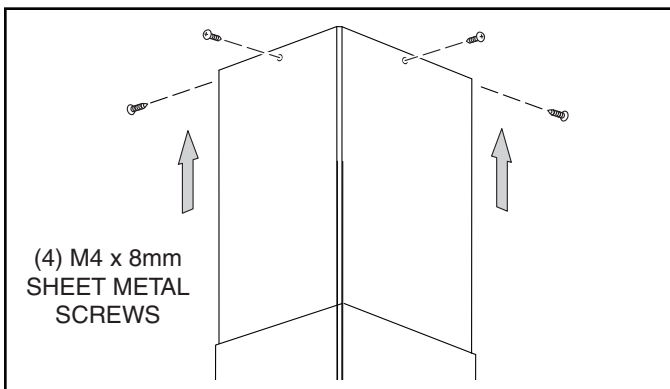


5. Measure the length of 6" round metal duct required from the damper / duct connector to the ductwork rough-in in the ceiling. Connect the duct to the damper / duct connector and seal with duct tape.
6. Remove the protective coating from the inner the flue. Turn the inner flue so that the louvers are at the bottom. Carefully slide the inner flue down into the outer flue. Slide the flues over the angle brackets. Make sure the side marked "front" faces the control side of the hood. Feed the power cable up through the flues.

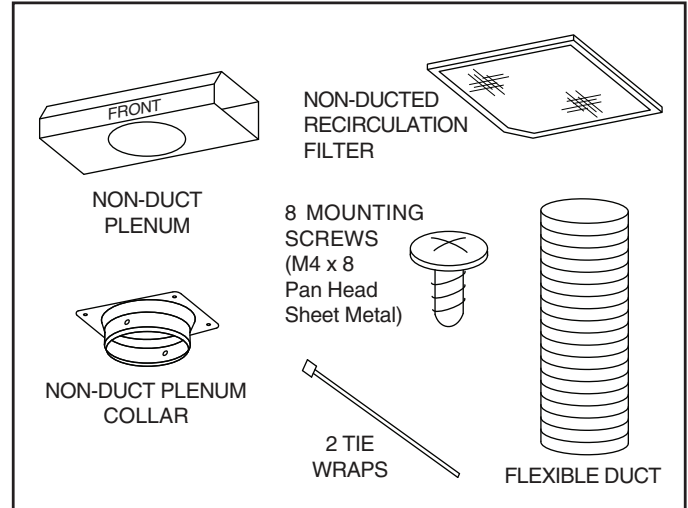
INSTALL THE HOOD (Non-Ducted Installation Only)



7. Attach the hood assembly to the ceiling bracket using (8) M4 x 10mm machine screws (2 for each support leg).
8. Connect metal duct to ceiling duct and seal with duct tape.
9. Connect power cable to house wiring inside of electrical outlet box. Black to Black, White to White, and Green to Green or Bare wires. Secure power cable to wiring box with appropriate connector and re-attach outlet box cover.



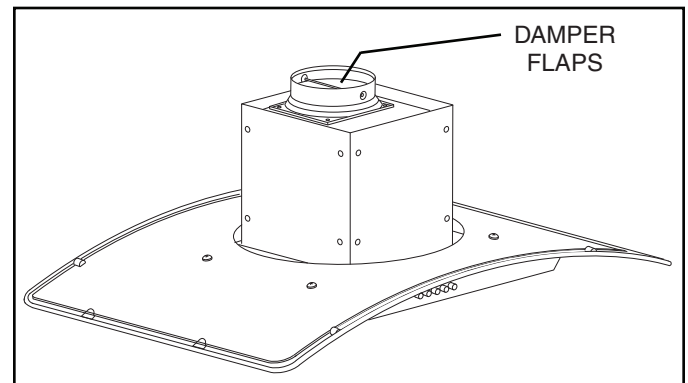
10. Slide the inner flue up to the ceiling and secure with (4) M4 x 8mm sheet metal screws.
11. Remove the protective coating from the hood and the outer flue.



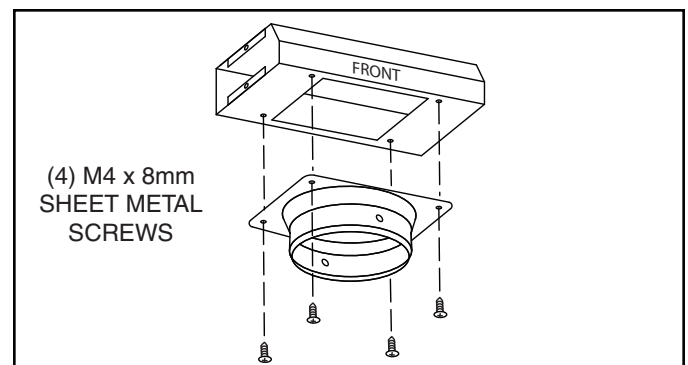
NOTE:

Non-ducted installations require Non-Duct kit; model RK59 (purchased separately).

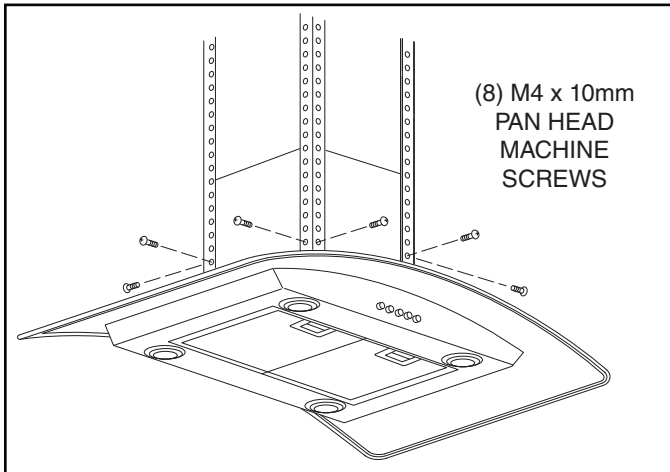
Do not use plastic or rigid metal duct.



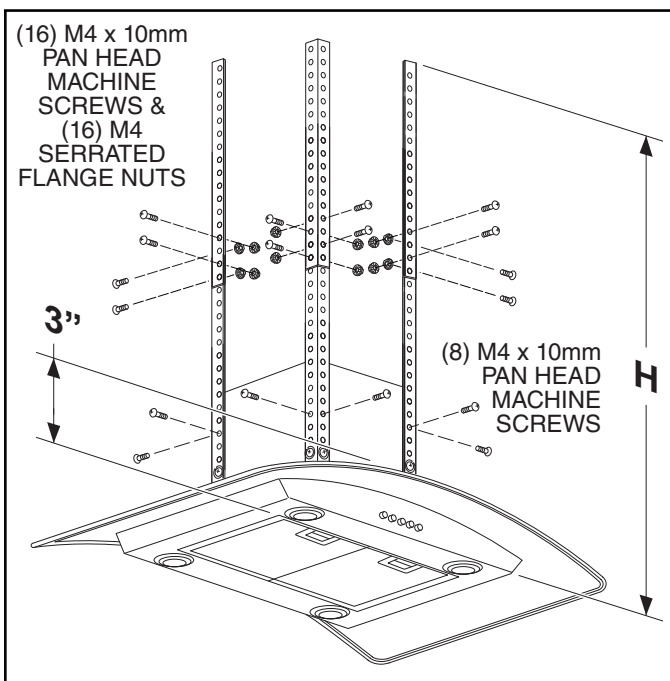
1. Remove the damper flaps from the damper / duct connector and discard flaps.



2. Attach non-duct collar to non-duct plenum using (4) M4 x 8mm sheet metal screws.



1. Assemble (4) angle brackets to the hood using (8) M4 x 10mm pan head machine screws (2 for each angle bracket).



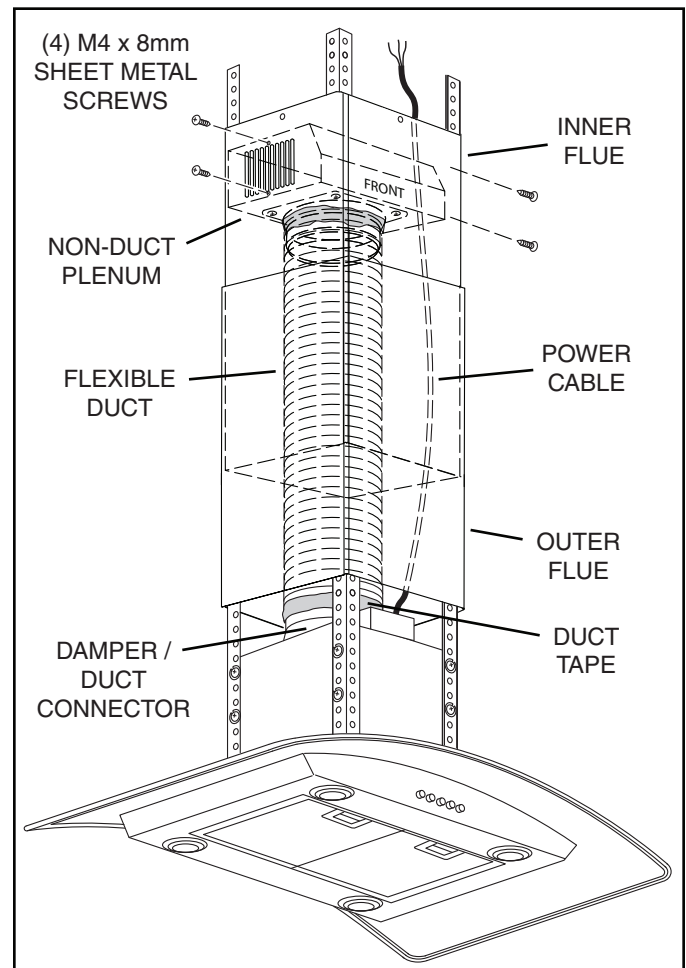
2. Determine dimension "H" based upon ceiling height and height of hood installation above cooktop:

| | | |
|----------------|-------------------------|----------|
| 8-ft. ceiling | Hood 30" above cooktop | H = 30" |
| | Hood 30½" above cooktop | H = 29½" |
| 9-ft. ceiling | Hood 30" above cooktop | H = 42" |
| | Hood 36" above cooktop | H = 36" |
| 10-ft. ceiling | Hood 30" above cooktop | H = 54" |
| | Hood 36" above cooktop | H = 48" |

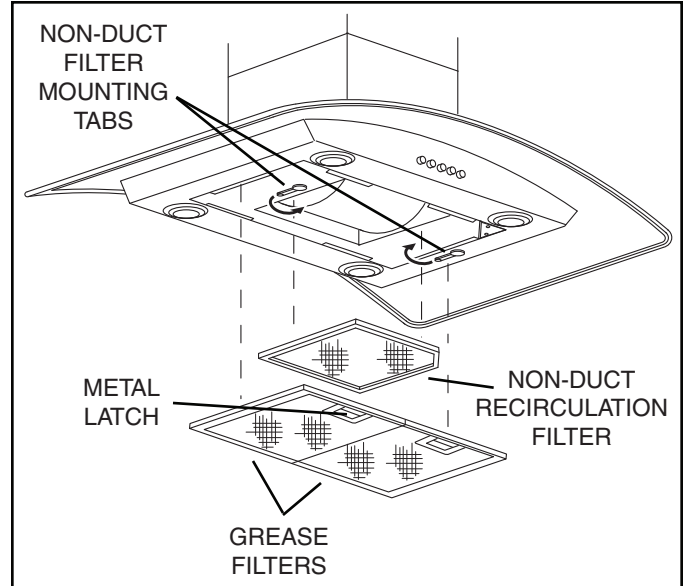
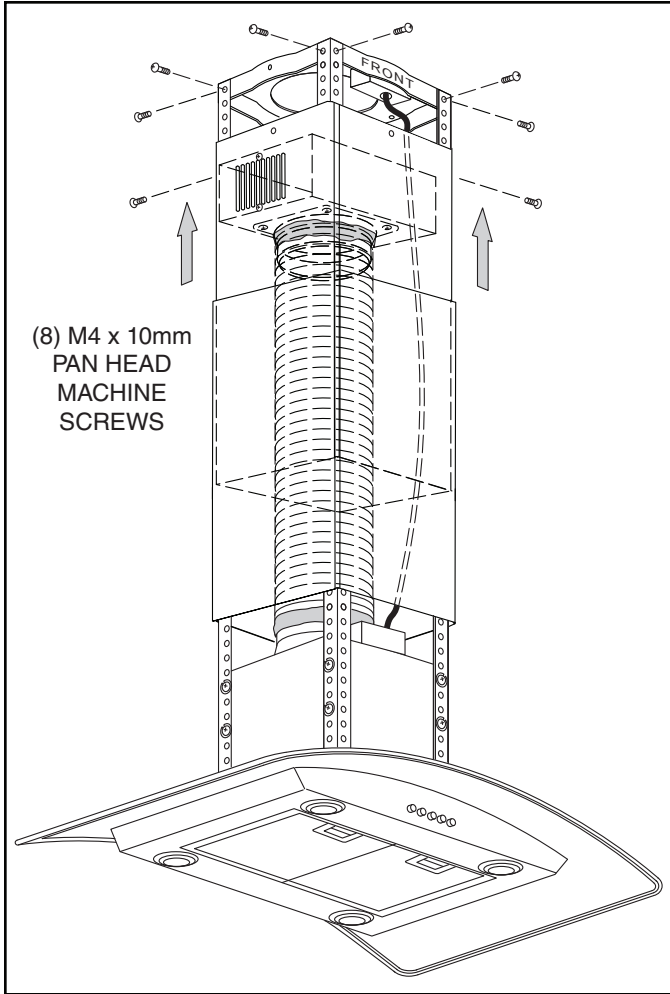
For 10-ft. ceilings: Purchase a 10-ft. flue extension (Model FXN59SS) which includes (4) additional angle mounting brackets, (1) longer upper flue, and additional mounting hardware.

3. Attach the upper set of (4) angle brackets to the outside of the lower angle brackets according to dimension "H". Use (16) M4 x 10mm pan head machine screws and (16) M4 serrated flange nuts (4 at each angle bracket connection).
4. Attach the angle bracket assemblies to the upper hood mounting locations using (8) M4 x 10mm pan head machine screws (2 for each angle bracket).

For 10-ft. ceilings: Attach a third set of (4) angle brackets to the inside of the second set of angle brackets using hardware supplied.

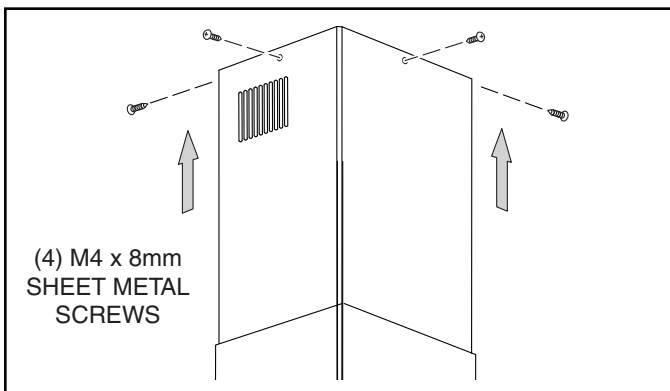


5. Measure the length of 6" round flexible duct required from the damper / duct connector to the ductwork rough-in in the ceiling. Connect the duct to the damper / duct connector, secure with tie wrap and seal with duct tape.
6. Attach the aluminum flexible duct to the non-duct plenum collar. Make sure non-duct plenum "front" is facing front of hood. Secure with tie wrap and seal with duct tape.
7. Remove the protective coating from the inner the flue. Turn the inner flue so that the louvers are at the top. Carefully slide the inner flue down into the outer flue. Slide the flues over the angle brackets. Make sure the side marked "front" faces the control side of the hood. Feed the power cable up through the flues.
8. Pull the inner flue up and attach the non-duct plenum with collar to the upper flue using (4) M4 x 8mm sheet metal screws.



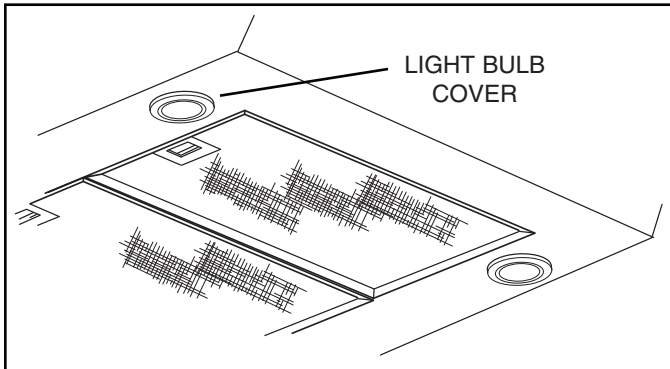
13. Remove the grease filters by pulling down the metal latch tab and tilting the filters downward to remove.
14. Install the non-duct recirculation filter as shown. Turn mounting tabs on hood to secure filter.
15. Reinstall grease filters by aligning rear filter tabs with slots in the hood. Pull down the metal latch tab, push filter into position and release. Make sure filters are securely engaged after installation.

9. Attach the hood assembly to the ceiling bracket using (8) M4 x 10mm machine screws (2 for each support leg).
10. Connect power cable to house wiring. Black to Black, White to White, and Green to Green or Bare wires. Secure power cable to wiring box with appropriate connector.



11. Slide the inner flue up to the ceiling and secure with (4) M4 x 8mm sheet metal screws.
12. Remove the protective coating from the hood and the outer flue.

LIGHT BULBS



⚠ WARNING

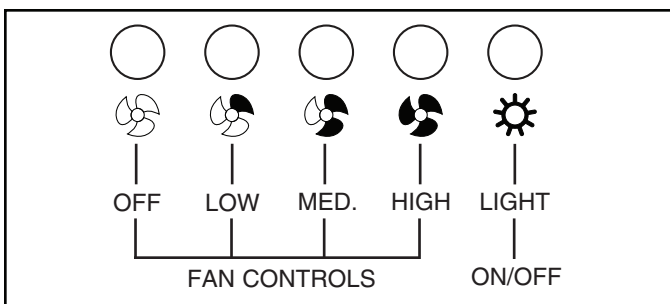
Bulbs may be hot. Always allow bulbs to cool down before removing them.

This range hood requires four halogen bulbs (Type JC, 12V, 20W Max, G-4 Base).

To change bulbs:

1. Remove light bulb cover by gently pushing it upward and turning it counterclockwise.
2. Replace bulb.
3. Re-install light bulb cover by gently pushing it upward and turning it clockwise.

OPERATION



The hood is operated using the push buttons on the front panel.

Push the light button to turn the lights on and off.

Push the fan controls to select low, medium, or high blower speed.

Push the OFF button to turn the blower off.

MAINTENANCE

Grease Filters

Grease filters should be cleaned monthly. Remove grease filters by pulling down on the metal latch tab. This will disengage the filter from the hood. Tilt the filter downward and remove.

To clean all-metal filters: Use a warm detergent solution or put them in the dishwasher using a non-phosphate detergent. Discoloration of the filter may occur if using phosphate detergent or as a result of local water conditions - but this will not affect filter performance. This discoloration is not covered by the warranty.

Non-Duct Recirculation Filter

Change the non-duct recirculation filter every 6 months.

Hood Cleaning

How to maintain the bright look of stainless steel and help prevent corrosion.

Dos:

- Once a month, wash surfaces with clean cloth or rag soaked with warm water and mild soap or liquid dish detergent.
- Always clean in the direction of original polish lines.
- Always rinse well with clear water (2 or 3 times) after cleaning. Wipe dry completely.
- You may also use a specialized household stainless steel cleaner.

Don'ts:

- Do not use any steel or stainless steel wool or any other scrapers to remove stubborn dirt.
- Do not use any harsh or abrasive cleansers.
- Do not allow dirt to accumulate.
- Do not let plaster dust or any other construction residues reach the hood. During construction or renovation, cover the hood to make sure no dust sticks to stainless steel surface.

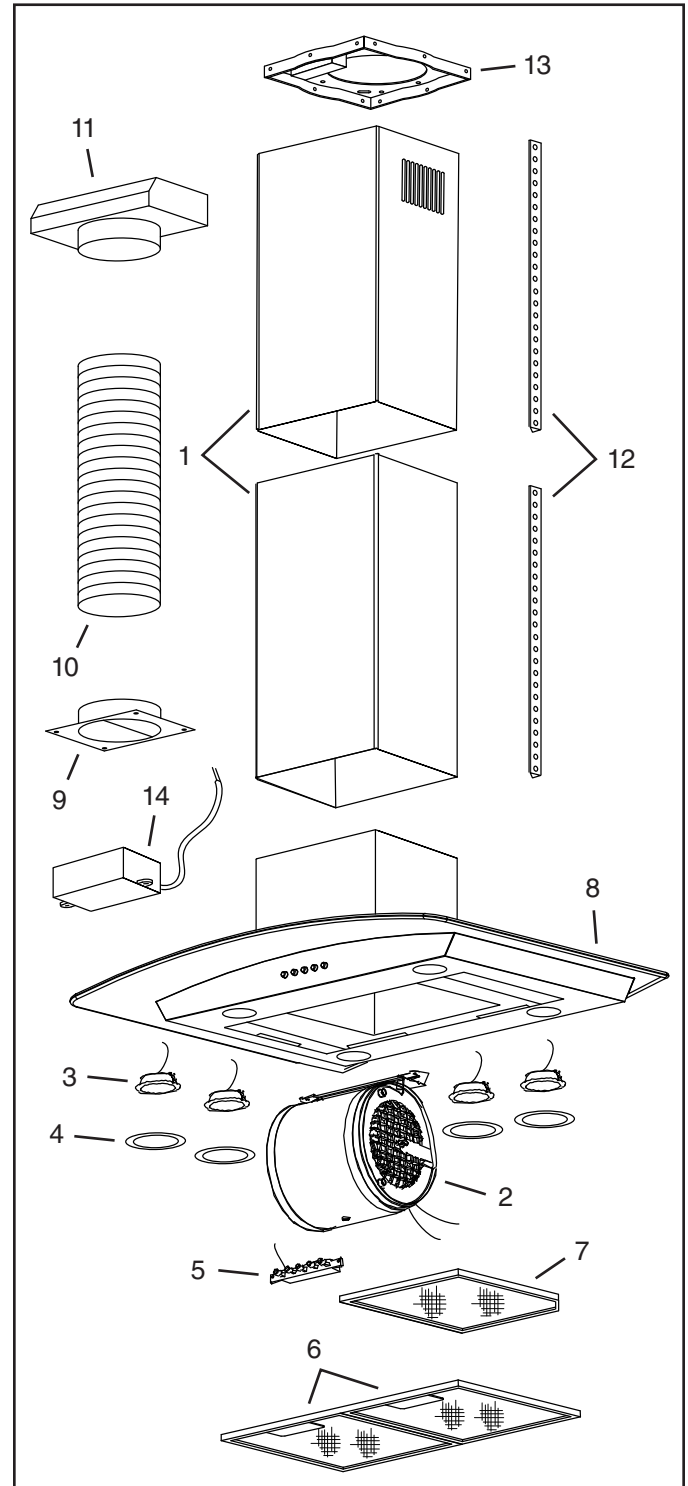
Avoid: when choosing a detergent

- Any cleaners that contain **bleach** will attack stainless steel.
- Any products containing: **chloride, fluoride, iodide, bromide** will deteriorate surfaces rapidly.
- Any **combustible products** used for cleaning such as **acetone, alcohol, ether, benzol**, etc., are highly explosive and should never be used close to a range.

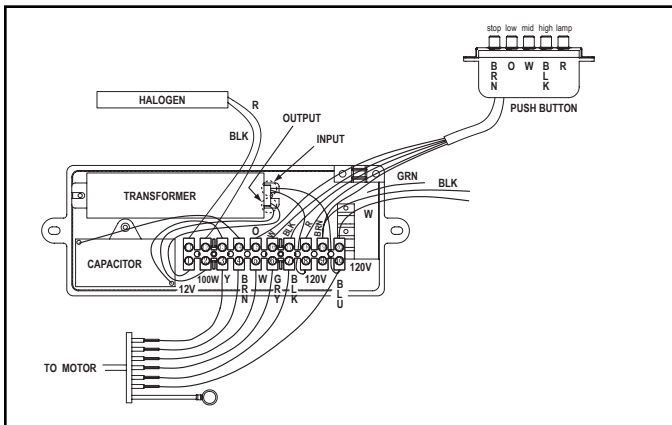
SERVICE PARTS

| KEY | PART NO. | DESCRIPTION | QTY. |
|-----|-----------|---|------|
| 1 | S99527129 | Decorative Upper and Lower Flues | 1 |
| 2 | S99526974 | Motor / Blower Assembly | 1 |
| 3 | S99526975 | Light Socket Assembly | 4 |
| 4 | S99527010 | Light Trim Ring / Lens Assembly | 4 |
| 5 | S99526976 | Push Button Assembly | 1 |
| 6 | S97018029 | Aluminum Grease Filters (pair) | 2 |
| 7 | S99527023 | Non-Duct Recirculation Filter | 1 |
| 8 | S99527131 | Curved Metal Plate with Rail | 1 |
| 9 | S99526983 | Damper / Duct Connector | 1 |
| 10 | S99526984 | 6" Dia. Expandable Flexible Aluminum Duct | 1 |
| 11 | S99527021 | Non-Duct Plenum Assembly | 1 |
| 12 | S99527130 | Angle Mounting Bracket | 8 |
| 13 | S99527022 | Ceiling Mounting Bracket w/ Outlet Box | 1 |
| 14 | S99527013 | Plastic Cover | 1 |
| | S99527011 | Transformer (not shown) | 1 |
| | S99527012 | Capacitor (not shown) | 1 |
| | S99527132 | Parts Bag (not shown) | 1 |

Order service parts by Part No. - not by Key No.



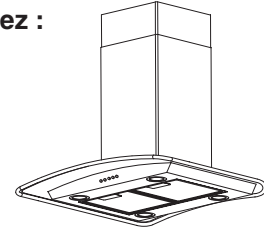
WIRING DIAGRAM



Replacement parts can be ordered on our website:
www.broan.com

HOTTE DE CUISINE À CHEMINÉE

Pour enregistrer ce produit, visitez :
www.broan.com



Page 10

LIRE CES DIRECTIVES ET LES CONSERVER

⚠ **POUR USAGE DOMESTIQUE SEULEMENT.** ⚠

⚠ AVERTISSEMENT

AFIN DE RÉDUIRE LES RISQUES D'INCENDIE, DE CHOC ÉLECTRIQUE OU DE BLESSURES CORPORELLES, VEUILLEZ OBSERVER LES DIRECTIVES SUIVANTES :

1. N'utilisez cet appareil que de la manière prévue par le fabricant. Si vous avez des questions, communiquez avec le fabricant à l'adresse ou au numéro de téléphone indiqués dans la garantie.
2. Avant de procéder à l'entretien ou au nettoyage de l'appareil, coupez l'alimentation du panneau électrique et verrouillez l'interrupteur principal afin d'empêcher que le courant ne soit accidentellement rétabli. S'il est impossible de verrouiller l'interrupteur principal, fixez solidement un message d'avertissement, par exemple une étiquette, sur le panneau électrique.
3. L'installation et les branchements électriques doivent être effectués par un personnel compétent, conformément aux normes et aux codes en vigueur, y compris les normes et les codes du bâtiment relatifs à la résistance au feu.
4. Pour éviter les refoulements, l'apport d'air doit être suffisant pour brûler les gaz produits par les appareils à combustion et les évacuer dans le conduit de fumée (cheminée). Respectez les directives du fabricant de l'appareil de chauffage et les normes de sécurité, notamment celles publiées par la National Fire Protection Association (NFPA), l'American Society for Heating, Refrigeration and Air Conditioning Engineers (ASHRAE) et les codes des autorités locales.
5. Veillez à ne pas endommager le câblage électrique ou d'autres équipements non apparents lors de la découpe ou du perçage du mur ou du plafond.
6. Les ventilateurs canalisés doivent toujours rejeter l'air à l'extérieur.
7. N'utilisez pas de commande de régime à semi-conducteurs avec cet appareil.
8. Pour réduire les risques d'incendie, utilisez seulement des conduits en acier.
9. Cet appareil doit être relié à une mise à la terre.

POUR RÉDUIRE LES RISQUES D'INCENDIE CAUSÉS PAR DE LA GRAISSE SUR LE PLAN DE CUISSON :

- a) Ne laissez jamais les éléments de surface allumés à haute température. Les débordements peuvent causer de la fumée et occasionner des écoulements de graisse inflammables. L'huile doit être chauffée graduellement à basse ou à moyenne température.
- b) Mettez toujours la hotte en MARCHE lors de la cuisson à feu vif ou lors de la cuisson d'aliments à flamber (par ex., crêpes Suzette, cerises jubilé, bœuf au poivre flambé).
- c) Nettoyez souvent la hotte. Ne laissez pas la graisse s'accumuler sur le ventilateur ou les filtres.
- d) Utilisez des casseroles de dimension appropriée. Utilisez toujours une batterie de cuisine adaptée à la dimension de la surface chauffante.

⚠ AVERTISSEMENT

OBSERVEZ LES CONSIGNES SUIVANTES AFIN DE RÉDUIRE LES RISQUES DE BLESSURES CORPORELLES EN CAS D'INCENDIE CAUSÉ PAR DE LA GRAISSE SUR LE PLAN DE CUISSON :*

1. ÉTOUFFEZ LES FLAMMES à l'aide d'un couvercle étanche, d'une tôle à biscuits ou d'un plateau en métal puis éteignez le brûleur. FAITES ATTENTION DE NE PAS VOUS BRÛLER. SI LES FLAMMES NE S'ÉTEignent PAS IMMÉDIATEMENT, QUITTEZ LES LIEUX ET APPELEZ LE SERVICE DES INCENDIES.
2. NE SOULEVEZ JAMAIS UNE CASSEROLE EN FLAMMES – vous pourriez vous brûler.
3. N'UTILISEZ PAS D'EAU, ni de linges ou de serviettes mouillés – une violente explosion de vapeur pourrait survenir.
4. Utilisez un extincteur SEULEMENT si :
 - A. Vous savez qu'il est de classe ABC et vous connaissez déjà son mode de fonctionnement.
 - B. L'incendie n'est pas très important et ne se propage pas.
 - C. Vous avez déjà téléphoné au service des incendies.
 - D. Vous pouvez combattre l'incendie en faisant dos à une sortie.

* Conseils tirés de la publication de la NFPA « Kitchen Fire Safety Tips ».

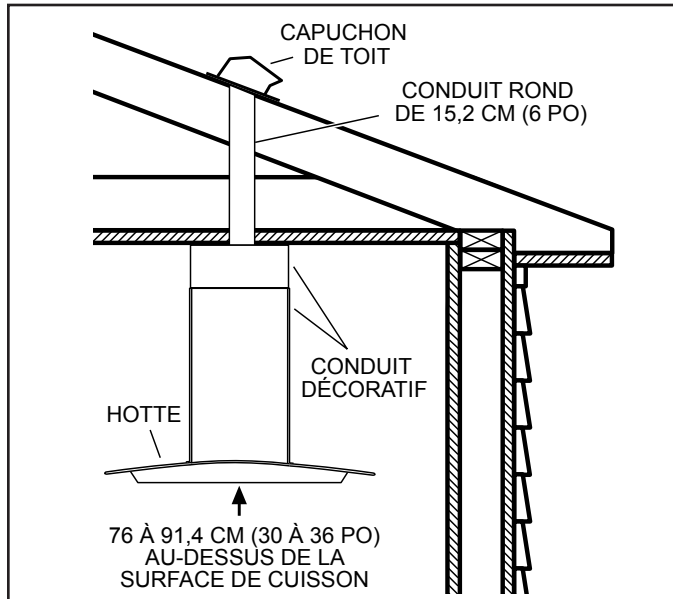
ATTENTION

1. Cet appareil ne doit servir qu'à la ventilation générale. Ne pas l'utiliser pour l'évacuation de matières ou de vapeurs dangereuses ou explosives.
2. Pour ne pas endommager les roulements du moteur, déséquilibrer les pales ou les rendre bruyantes, protégez l'appareil de la poussière de plâtre, de construction, etc.
3. Ne pas utiliser cette hotte au-dessus d'un appareil de cuisson dépassant 60 000 BTU/heure car le moteur du ventilateur s'arrêtera par intermittence.
4. Le moteur de la hotte est muni d'un dispositif de protection de surcharge électrique qui coupe automatiquement le moteur en cas de surchauffe. Il se remet en marche lorsqu'il a refroidi. Faites réparer la hotte si le moteur continue à fonctionner par intermittence.
5. Pour mieux capter les vapeurs de cuisson, le bas de la hotte DOIT ÊTRE AU MINIMUM à 76 cm (30 po) et au maximum à 91,4 cm (36 po) au-dessus de la surface de cuisson.
6. Il est recommandé que les installateurs soient deux, compte tenu de la taille de cette hotte.
7. Pour réduire les risques d'incendie et évacuer l'air correctement, assurez-vous qu'il est canalisé à l'extérieur. Ne pas évacuer l'air dans des espaces enfermés par des murs ou un plafond ou dans un grenier, un vide sanitaire ou un garage.
8. Prenez garde en installant la cheminée décorative et la hotte, car elles peuvent comporter des bords tranchants.
9. Veuillez lire l'étiquette de spécifications du produit pour obtenir plus de renseignements, notamment sur les exigences.

INSTALLATEUR : VEUILLEZ REMETTRE CE GUIDE AU PROPRIÉTAIRE.

PROPRIÉTAIRE : DIRECTIVES DE NETTOYAGE, D'ENTRETIEN ET D'UTILISATION À LA PAGE 17.

POSE DU CONDUIT (Hottes avec conduit seulement)



1. Planifiez la pose du conduit en déterminant son tracé entre la hotte et l'extérieur de la maison.
2. Un tracé droit et court permet à la hotte d'être plus efficace.
3. Des conduits longs, des coudes et des transitions réduisent l'efficacité de la hotte. N'en utilisez que le moins possible. Pour plus d'efficacité, des conduits plus gros peuvent être nécessaires si le parcours est trop long.
4. Installez le capuchon mural ou de toit. Connectez un conduit rond en métal au capuchon en progressant vers la hotte. Scellez les joints avec du ruban à conduit à chaque section.

MESURES DE L'INSTALLATION

La distance minimale de la hotte au-dessus de la surface de cuisson NE DOIT PAS ÊTRE INFÉRIEURE à 76 cm (30 po).

Un maximum de 91,4 cm (36 po) est également fortement recommandé pour mieux capter les vapeurs de cuisson.

Une distance de plus de 91,4 cm (36 po) est laissée à la discrétion de l'installateur et des utilisateurs si la hauteur du plafond le permet.

REMARQUE :

Plafonds de 2,4 m (8 pi)

La distance de la hotte au-dessus de la surface de cuisson est :

Au minimum 76 cm (30 po), au maximum 82 cm (32 1/4 po)
(pour une sortie avec conduits)

Au minimum 76 cm (30 po), au maximum 77,4 cm (30 1/2 po)
(pour une sortie sans conduits)

Plafonds de 2,7 m (9 pi)

La distance de la hotte au-dessus de la surface de cuisson est :

Au minimum 76 cm (30 po), au maximum 91,4 cm (36 po)
(pour une sortie avec ou sans conduits)

Plafonds de 3 m (10 pi)

La distance de la hotte au-dessus de la surface de cuisson est :

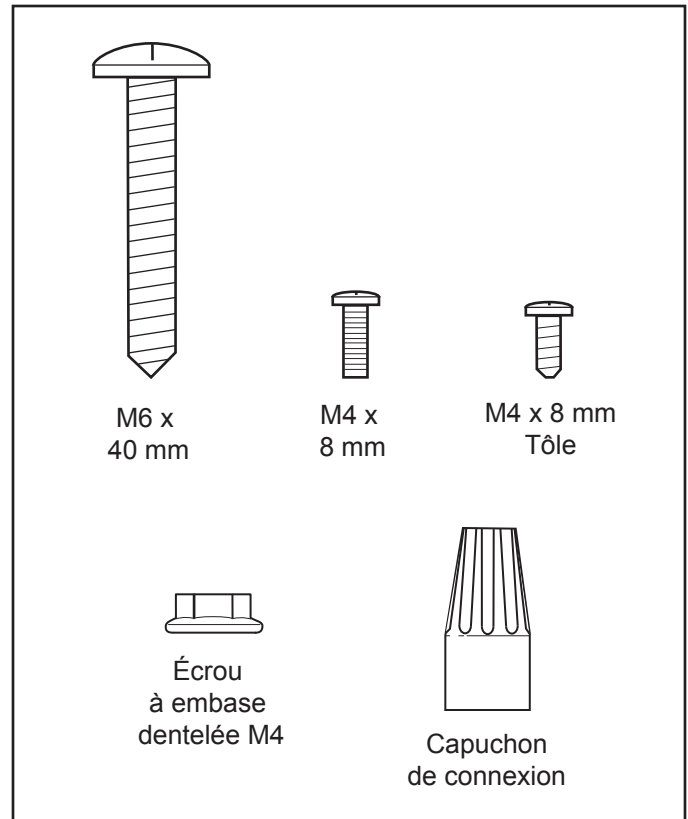
Au minimum 76 cm (30 po), au maximum 91,4 cm (36 po)
(pour une sortie avec ou sans conduits)

REMARQUE : Les plafonds de 3 m (10 pi) exigent la rallonge de conduit décoratif pour plafonds de 3 m (10 pi), modèle FXN59SS, pour les installations avec ou sans conduits (vendue séparément).

PRÉPARATION DE LA HOTTE

Déballiez la hotte et vérifiez le contenu de la boîte. Celle-ci doit contenir les éléments suivants :

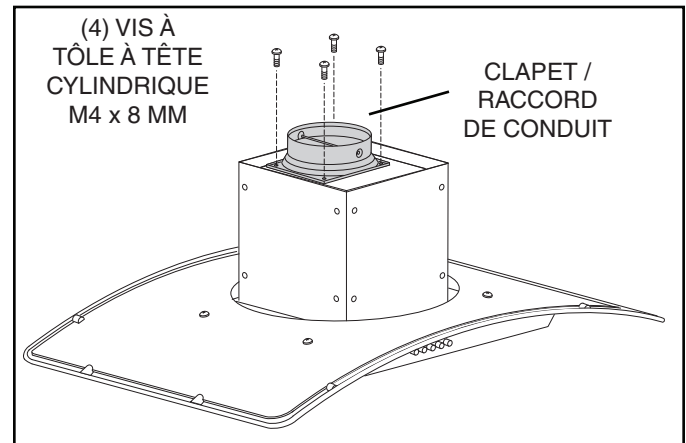
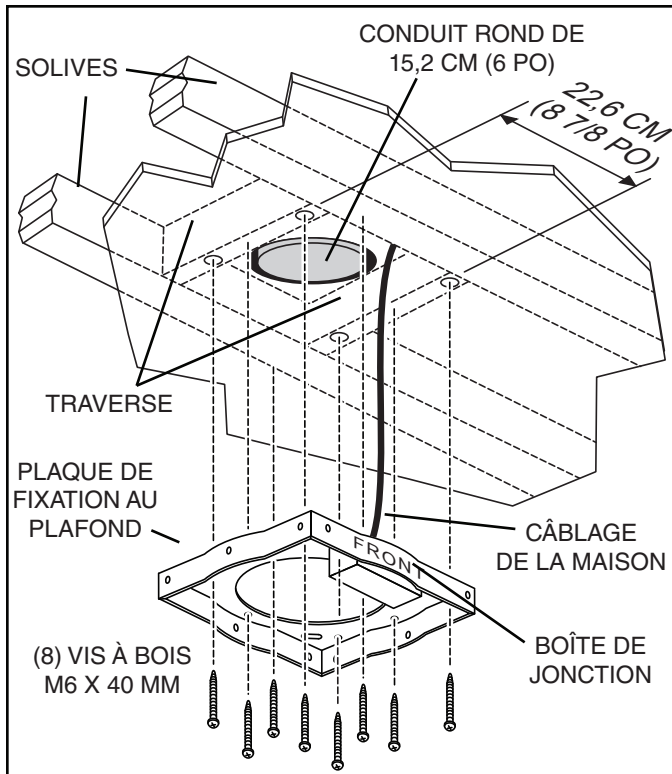
- 1 - Hotte
- 1 - Capot en métal
- 1 - Conduit décoratif (2 pièces)
- 1 - Clapet / raccord de conduit
- 1 - Plaque de fixation au plafond
- 8 - Supports angulaires
- 2 - Filtres à graisse en aluminium (installés dans la hotte)
- 1 - Sac de pièces contenant :
 - 8 - Vis de montage (M6 x 40 mm à tête cylindrique)
 - 46 - Vis mécanique (M4 x 8 mm à tête cylindrique)
 - 20 - Écrous à embase dentelée (M4)
 - 8 - Vis à tôle (M4 x 8 mm à tête cruciforme)
 - 3 - Capuchons de connexion



INSTALLATION DU SUPPORT AU PLAFOND

Page 12

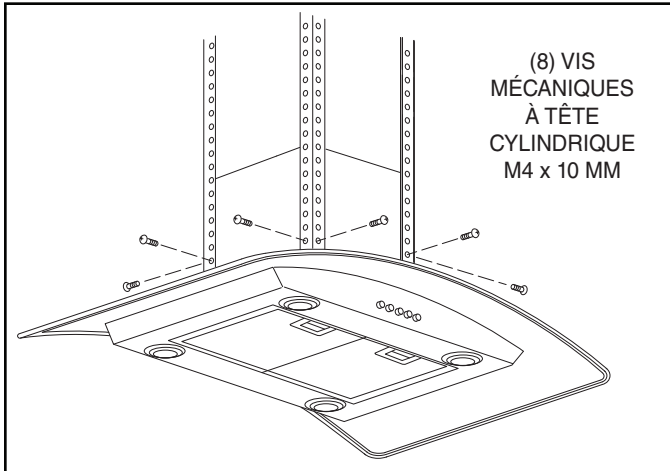
PRÉPARATION DE LA HOTTE



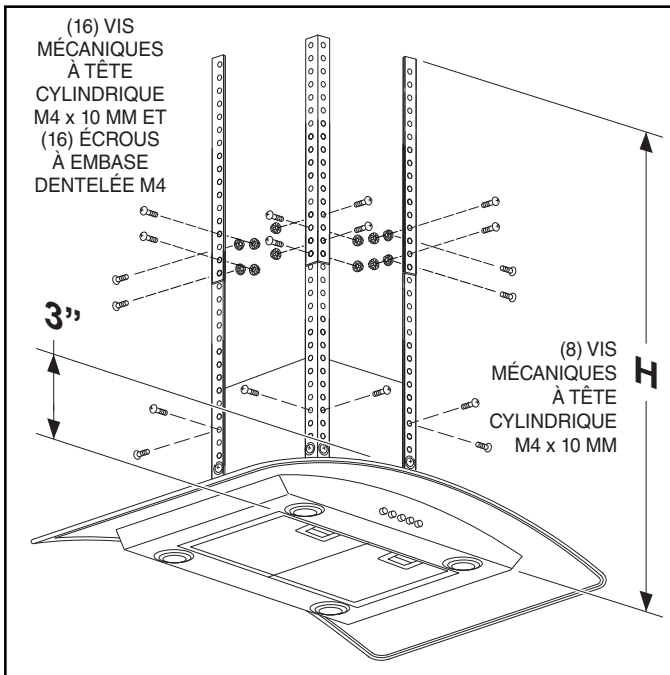
1. À l'emplacement choisi pour la hotte, installez des traverses de 2 x 4 entre les solives du plafond selon les dimensions illustrées. Assurez-vous qu'en traverse n'interfère pas l'ouverture de boîte de jonction dans la plaque de fixation au plafond.
2. Installez le câblage et les conduits.
3. Finissez la surface du plafond. Marquez la position des solives et des traverses. Enfilez le câblage électrique au travers de la surface finie du plafond.
4. Enlevez le couvercle de la boîte de jonction sur la plaque de fixation au plafond. Tirez le câble à travers l'ouverture de la plaque de fixation jusque dans la boîte de jonction. Fixez le câble à la plaque / boîte de jonction avec un connecteur approprié.
5. Installez la plaque de fixation au plafond, le côté marqué « front » (avant) orienté dans la bonne direction. Fixez la plaque avec (8) vis à bois M6 x 40 mm. Assurez-vous que les vis sont enfoncées au centre des pièces de charpente pour une solidité maximale.

1. Placez la hotte sur une surface plane et protégée pour éviter d'abîmer la hotte.
2. Fixez le clapet / raccord de conduit à la hotte à l'aide de (4) vis à tôle à tête cylindrique M4 x 8 mm.

INSTALLATION DE LA HOTTE (Installation avec conduits seulement)



1. Assemblez les (4) supports angulaires sur la partie inférieure de la hotte avec (8) vis mécaniques à tête cylindrique M4 x 10 mm (2 pour chaque support angulaire).



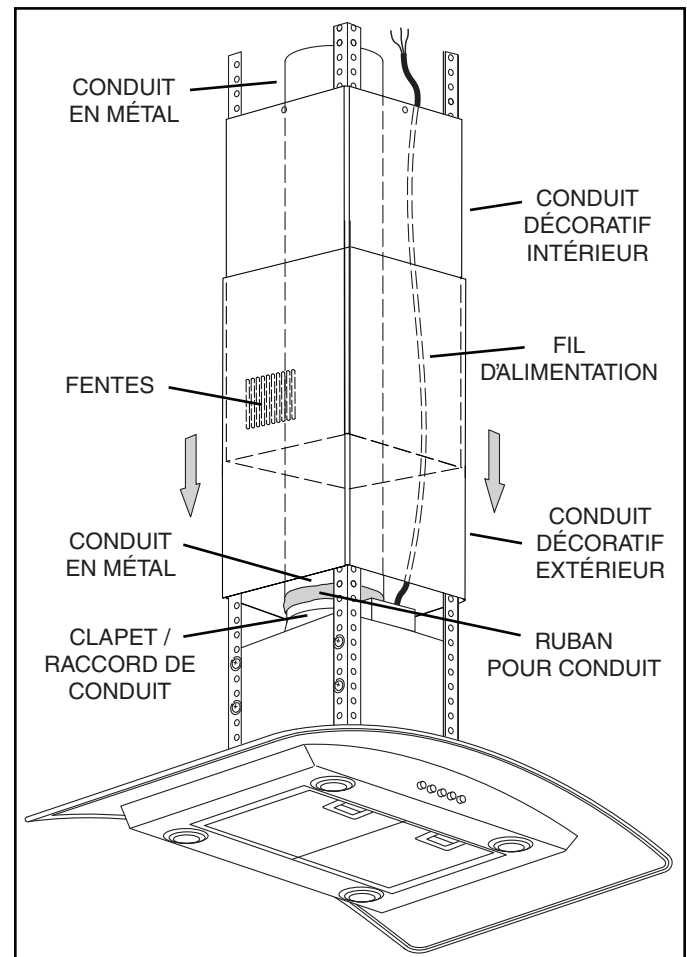
2. Déterminez la dimension « H » d'après la hauteur du plafond et celle de l'emplacement de la hotte au-dessus du plan de cuisson :

| | | |
|-------------------------|--|-------------------------|
| Plafond de 2,4 m (8 pi) | Hotte à 76 cm (30 po) au-dessus de la surface de cuisson | H = 76 cm (30 po) |
| | Hotte à 81,9 cm (32 1/4 po) au-dessus de la surface de cuisson | H = 70,4 cm (27 3/4 po) |
| Plafond de 2,7 m (9 pi) | Hotte à 76 cm (30 po) au-dessus de la surface de cuisson | H = 106,6 cm (42 po) |
| | Hotte à 91,4 cm (36 po) au-dessus de la surface de cuisson | H = 91,4 cm (36 po) |
| Plafond de 3 m (10 pi) | Hotte à 76 cm (30 po) au-dessus de la surface de cuisson | H = 137 cm (54 po) |
| | Hotte à 91,4 cm (36 po) au-dessus de la surface de cuisson | H = 122 cm (48 po) |

Pour les plafonds de 3 m (10 pi) : Procurez-vous une rallonge de conduit décoratif pour plafonds de 3 m (10 pi) (modèle FXN59SS) qui comprend (4) autres supports angulaires, (1) conduit décoratif supérieur plus long et la quincaillerie de montage.

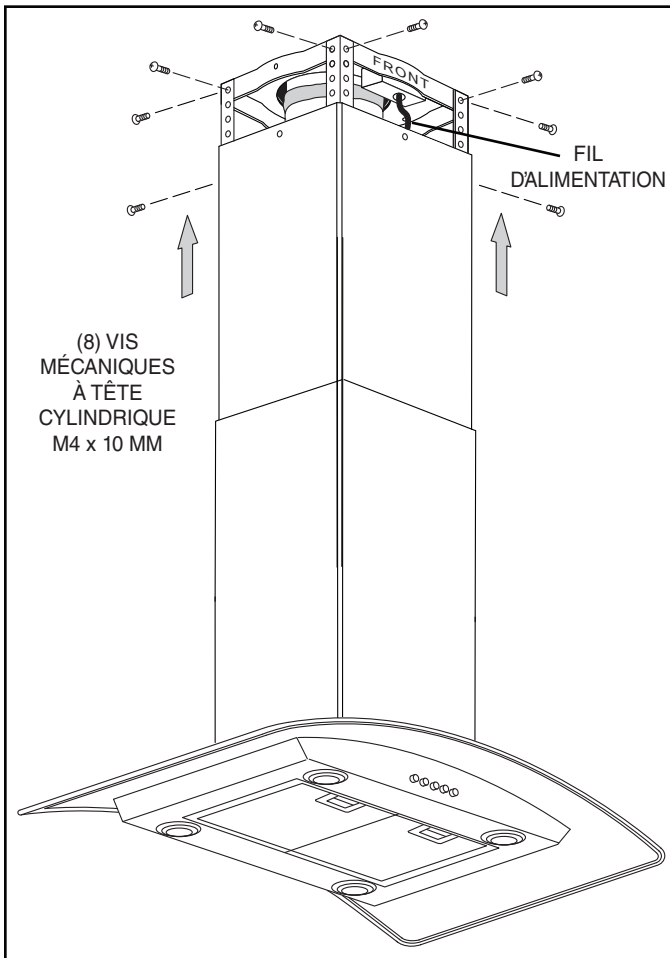
3. Fixez l'ensemble de (4) supports angulaires à l'extérieur des supports angulaires du bas selon la dimension « H ». Utilisez (16) vis mécaniques à tête cylindrique M4 x 10 mm et (16) écrous à embase dentelée M4 (4 à chaque raccord d'angle).
4. Fixez l'ensemble de supports aux emplacements de montage supérieurs de la hotte à l'aide de (8) vis mécaniques à tête cylindrique M4 x 10 mm (2 pour chaque support angulaire).

Pour les plafonds de 3 m (10 pi) : Fixez un troisième ensemble de (4) supports angulaires à l'intérieur du deuxième ensemble de supports à l'aide de la quincaillerie fournie.

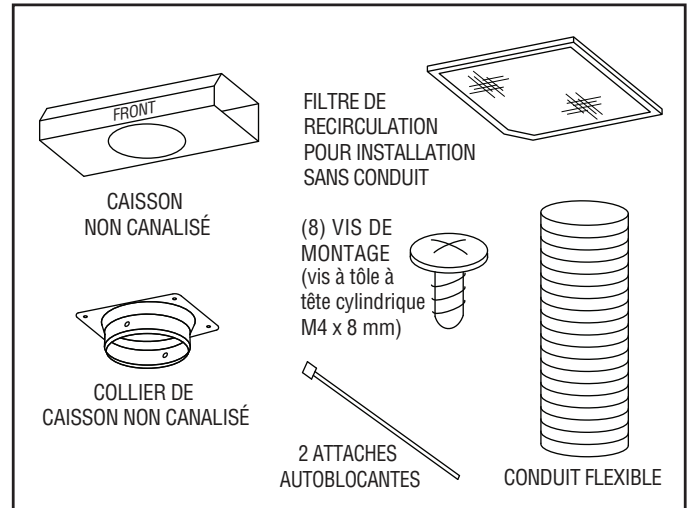


5. Mesurez la longueur de conduit métallique rond de 15,2 cm (6 po) requise entre le clapet / raccord de conduit et les conduits du plafond. Raccordez le conduit au clapet / raccord de conduit et scellez les joints avec du ruban à conduit.
6. Enlevez la pellicule protectrice du conduit décoratif intérieur. Assurez-vous que les fentes du conduit décoratif sont en bas. Glissez soigneusement le conduit décoratif intérieur vers le bas dans le conduit décoratif extérieur. Glissez les conduits décoratifs sur les supports angulaires. Assurez-vous que le côté marqué « front » (avant) est tourné vers les commandes de la hotte. Enfillez le fil d'alimentation à l'intérieur des conduits décoratifs.

INSTALLATION DE LA HOTTE (Installation sans conduits seulement)



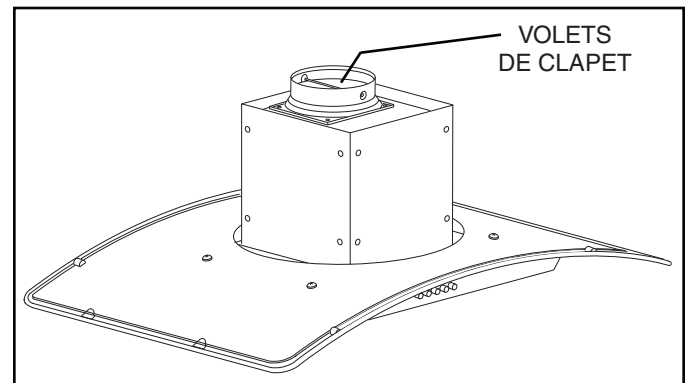
(8) VIS MÉCANIQUES À TÊTE CYLINDRIQUE M4 x 10 MM



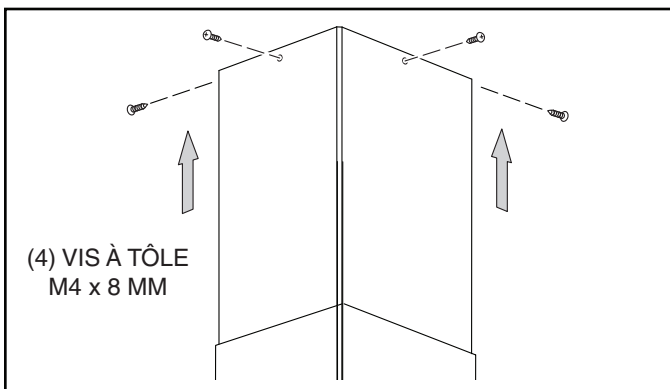
REMARQUE :

Les installations sans conduits nécessitent l'ensemble sans conduits, modèle RK59 (vendu séparément).

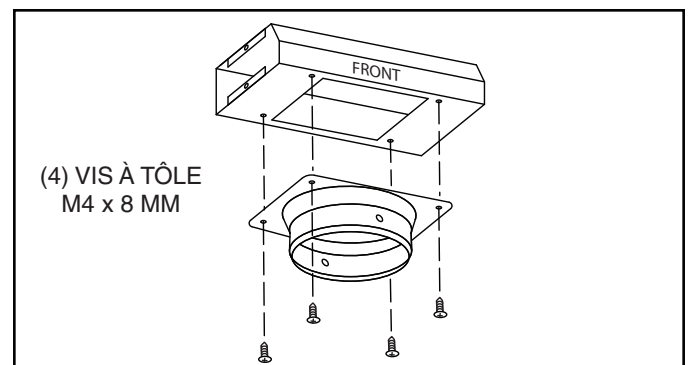
N'utilisez pas de conduit en métal rigide ou en plastique.



1. Enlevez les clapets de l'ensemble clapet / raccord de conduit et jetez-les.



(4) VIS À TÔLE M4 x 8 MM

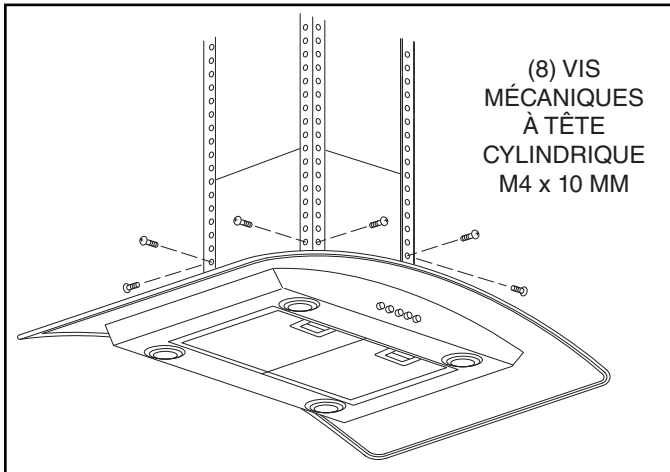


(4) VIS À TÔLE M4 x 8 MM

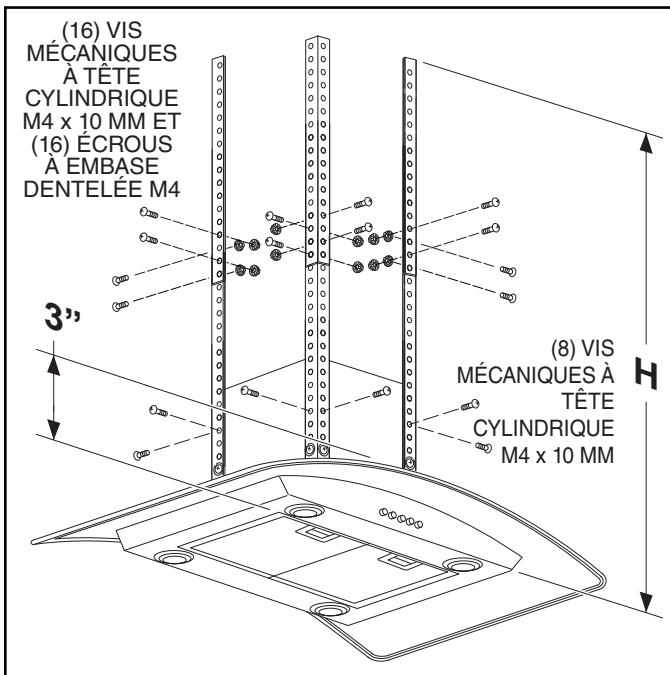
2. Fixez le collier d'installation sans conduits au caisson non canalisé à l'aide de (4) vis à tôle M4 x 8 mm.

10. Glissez le conduit décoratif intérieur jusqu'au plafond et fixez-le à l'aide de (4) vis à tôle M4 x 8 mm.

11. Enlevez la pellicule protectrice de la hotte et du conduit décoratif extérieur.



1. Assemblez les (4) supports angulaires sur la hotte avec (8) vis mécaniques à tête cylindrique M4 x 10 mm (2 pour chaque support angulaire).



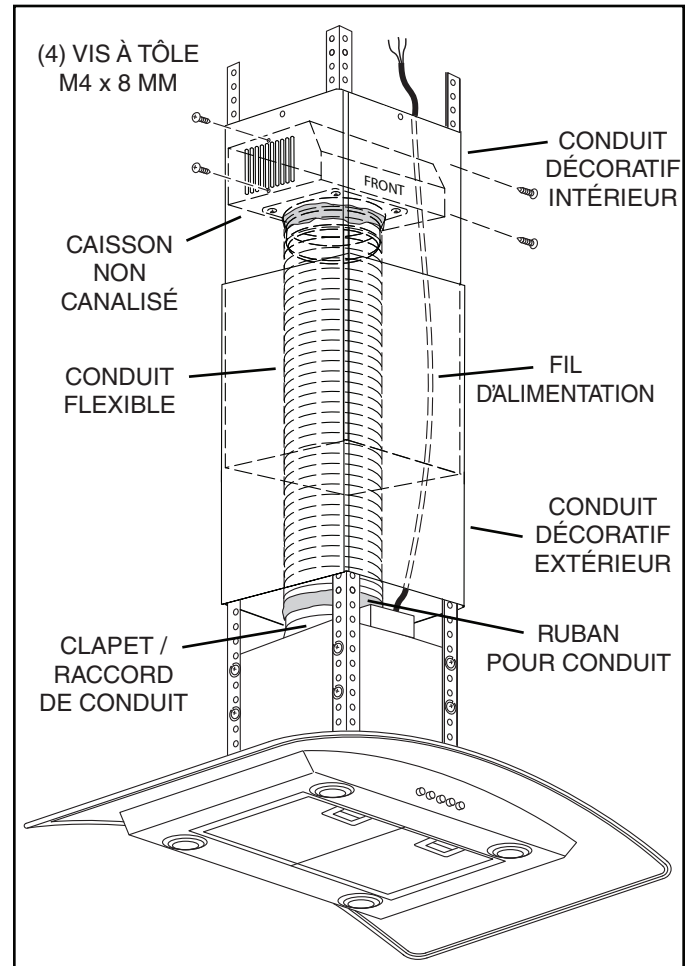
2. Déterminez la dimension « H » d'après la hauteur du plafond et celle de l'emplacement de la hotte au-dessus du plan de cuisson :

| | | |
|-------------------------|--|-------------------------|
| Plafond de 2,4 m (8 pi) | Hotte à 76 cm (30 po) au-dessus de la surface de cuisson | H = 76 cm (30 po) |
| | Hotte à 77,4 cm (30 1/2 po) au-dessus de la surface de cuisson | H = 74,9 cm (29 1/2 po) |
| Plafond de 2,7 m (9 pi) | Hotte à 76 cm (30 po) au-dessus de la surface de cuisson | H = 106,6 cm (42 po) |
| | Hotte à 91,4 cm (36 po) au-dessus de la surface de cuisson | H = 91,4 cm (36 po) |
| Plafond de 3 m (10 pi) | Hotte à 76 cm (30 po) au-dessus de la surface de cuisson | H = 137 cm (54 po) |
| | Hotte à 91,4 cm (36 po) au-dessus de la surface de cuisson | H = 122 cm (48 po) |

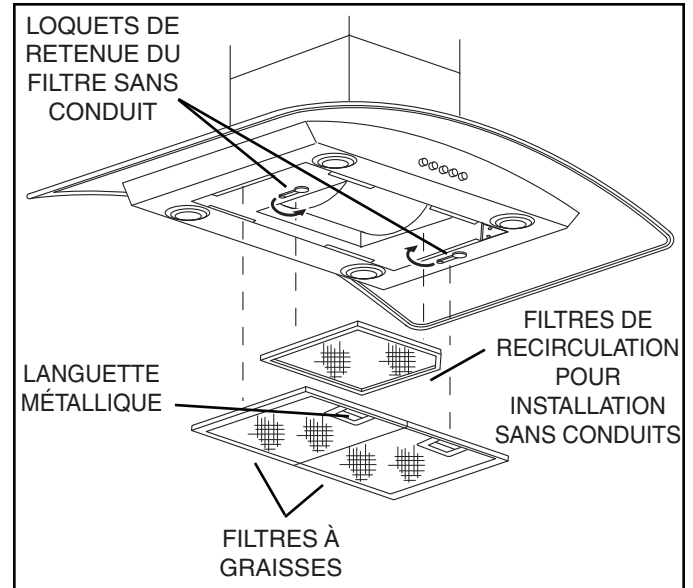
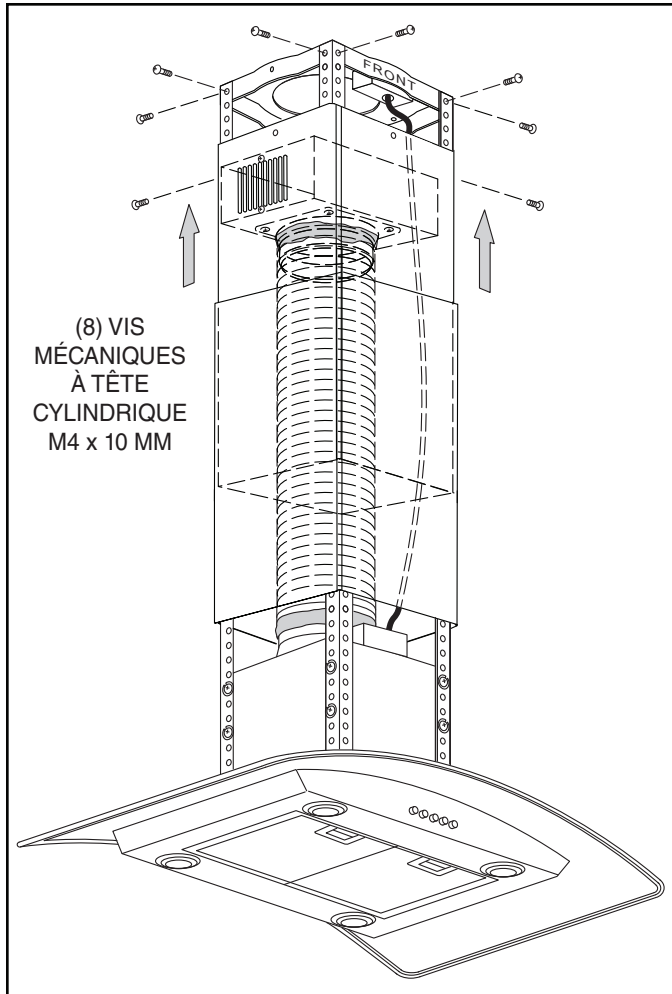
Pour les plafonds de 3 m (10 pi) : Procurez-vous une rallonge de conduit décoratif pour plafonds de 3 m (10 pi) (modèle FXN59SS) qui comprend (4) autres supports angulaires, (1) conduit décoratif supérieur plus long et la quincaillerie de montage.

- Fixez l'ensemble de (4) supports angulaires à l'extérieur des supports angulaires du bas selon la dimension « H ». Utilisez (16) vis mécaniques à tête cylindrique M4 x 10 mm et (16) écrous à embase dentelée M4 (4 à chaque raccord d'angle).
- Fixez l'ensemble de supports aux emplacements de montage supérieurs de la hotte à l'aide de (8) vis mécaniques à tête cylindrique M4 x 10 mm (2 pour chaque support angulaire).

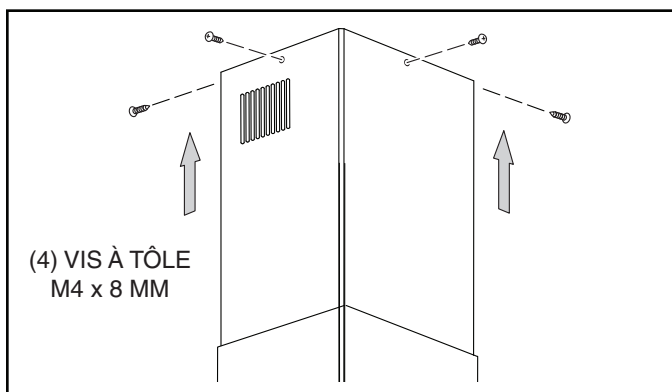
Pour les plafonds de 3 m (10 pi) : Fixez un troisième ensemble de (4) supports angulaires à l'intérieur du deuxième ensemble de supports à l'aide de la quincaillerie fournie.



- Mesurez la longueur de conduit métallique rond de 15,2 cm (6 po) requise entre le clapet / raccord de conduit et les conduits du plafond. Raccordez le conduit au clapet / raccord de conduit, fixez avec attache autoblocante et scellez les joints avec du ruban à conduit.
- Fixez le conduit flexible en aluminium au collier du caisson. Assurez-vous que l'inscription « front » (avant) du caisson est tournée vers l'avant de la hotte. Fixez avec attache autoblocante y joint avec du ruban à conduit.
- Enlevez la pellicule protectrice du conduit décoratif intérieur. Assurez-vous que les fentes du conduit décoratif sont en haut. Glissez soigneusement le conduit décoratif intérieur vers le bas dans le conduit décoratif extérieur. Glissez les conduits décoratifs sur les supports angulaires. Assurez-vous que le côté marqué « front » (avant) est tourné vers les commandes de la hotte. Enfillez le fil d'alimentation à l'intérieur des conduits décoratifs.
- Tirez le conduit décoratif intérieur vers le haut et fixez le caisson avec le collier au conduit décoratif supérieur à l'aide de (4) vis à tôle M4 x 8 mm.



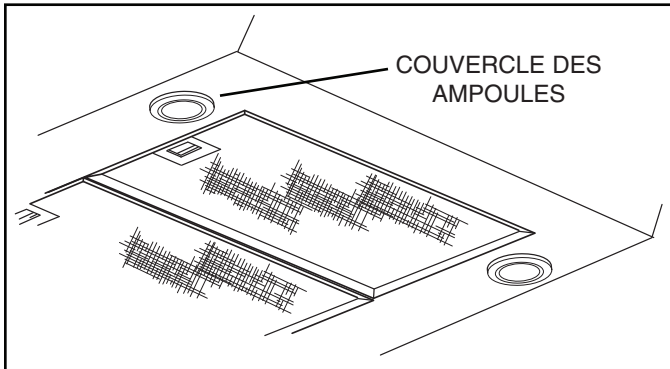
9. Fixez l'ensemble de hotte à la plaque de fixation au plafond à l'aide de (8) vis mécaniques à tête cylindrique M4 x 10 mm (2 pour chaque support angulaire).
10. Connectez le fil d'alimentation au câblage de la maison. Raccordez fil le noir avec le noir, le blanc avec le blanc, et le vert avec le vert ou le fil nu. Fixez le câble d'alimentation à la boîte de jonction avec un connecteur approprié.



11. Glissez le conduit décoratif intérieur jusqu'au plafond et fixez-le à l'aide de (4) vis à tôle M4 x 8 mm.
12. Enlevez la pellicule protectrice de la hotte et du conduit décoratif extérieur.

13. Enlevez les filtres à graisse en tirant vers le bas sur leur languette métallique et en basculant les filtres vers le bas.
14. Installez le filtre de recirculation tel qu'il est illustré. Tournez les loquets de retenue de la hotte pour fixer le filtre.
15. Pour remettre les filtres à graisse, alignez les ergots arrière des filtres dans les fentes de la hotte. Tirez la languette métallique vers le bas, poussez le filtre en place et relâchez la languette. Vérifiez si les filtres sont bien fixés une fois replacés.

AMPOULES



⚠ AVERTISSEMENT

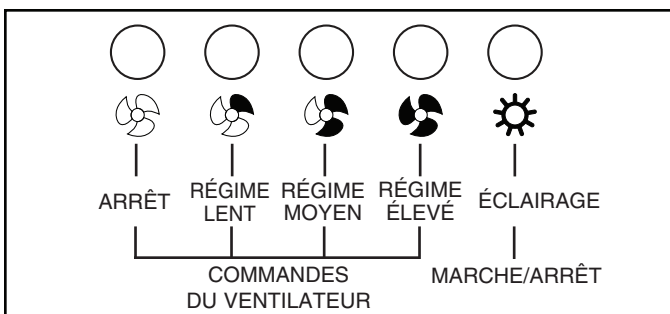
Les ampoules peuvent être très chaudes. Laissez toujours les ampoules refroidir avant de les enlever.

Cette hotte requiert quatre ampoules halogènes (type JC, 12 volts, 20 watts max., base G4).

Pour remplacer les ampoules :

1. Enlevez le couvercle des ampoules en le poussant délicatement vers le haut et en le tournant dans le sens antihoraire.
2. Remplacez la ou les ampoules.
3. Replacez le couvercle en le poussant délicatement vers le haut et en le tournant dans le sens horaire.

FONCTIONNEMENT



La hotte fonctionne à l'aide de boutons-poussoirs situés sur la face avant.

Allumez et éteignez la lumière à l'aide du bouton d'éclairage.

Actionnez le ventilateur à l'aide des boutons de régime lent, moyen ou élevé.

Appuyez sur le bouton OFF pour arrêter le ventilateur.

ENTRETIEN

Filtres à graisses

Les filtres à graisses doivent être nettoyés une fois par mois. Enlevez les filtres à graisse en tirant vers le bas sur la languette métallique de retenue. Le filtre se dégagera de la hotte. Inclinez le filtre vers le bas et enlevez-le.

Pour laver les filtres métalliques : Utilisez une solution tiède de détergent ou lavez-les au lave-vaisselle avec un détergent sans phosphate. Une décoloration du filtre peut se produire si des détergents phosphatés sont utilisés et selon les conditions locales de l'eau, sans toutefois affecter le rendement du filtre. Cette décoloration n'est pas couverte par la garantie.

Filtre de recirculation pour installation sans conduits

Remplacez le filtre de recirculation tous les six mois.

Nettoyage de la hotte

Comment maintenir le lustre de l'acier inoxydable et éviter la corrosion.

À faire :

- Une fois par mois, nettoyez toutes les surfaces avec un chiffon propre imbibé d'eau tiède et de savon doux ou de liquide à vaisselle.
- Nettoyez toujours dans le sens des lignes du poli original.
- Rincez toujours à l'eau propre (2 ou 3 fois) après le nettoyage. Séchez complètement en essuyant.
- Vous pouvez également utiliser un nettoyant spécial pour acier inoxydable.

À ne pas faire :

- N'utilisez pas de laine d'acier ordinaire ni de laine d'acier inoxydable ou tout genre de grattoir pour déloger la saleté.
- N'utilisez pas de nettoyants puissants ou abrasifs.
- Ne laissez pas la saleté s'accumuler.
- Protégez la hotte de la poussière de plâtre ou de tout autre résidu de construction. Pendant des travaux de construction ou de rénovation, couvrez la hotte pour empêcher la poussière de toucher aux surfaces d'acier inoxydable.

À éviter : lors du choix d'un détergent

- Tout nettoyant contenant des **agents de blanchiment** attaquera l'acier inoxydable.
- Tout produit contenant : **du chlore, du fluor, de l'iode ou du brome** détériorera rapidement les surfaces.
- Tout **produit combustible** utilisé pour le nettoyage comme **l'acétone, l'alcool, l'éther, le benzol**, etc., ils sont hautement explosifs et ne devraient jamais être utilisés à proximité d'une hotte.

PIÈCES DE RECHANGE

| N° DE REPÈRE | N° DE PIÈCE | DESCRIPTION | QTÉ |
|-----------------|----------------|---|-----|
| 1 | S99527129 | Conduits décoratifs supérieur et inférieur | 1 |
| 2 | S99526974 | Ensemble moteur / ventilateur | 1 |
| 3 | S99526975 | Ensemble de socle d'ampoule | 4 |
| 4 | S99527010 | Ensemble d'anneau de finition / lentille d'éclairage | 4 |
| 5 | S99526976 | Ensemble de boutons-poussoirs | 1 |
| 6 | S97018029 | Filtres à graisses en aluminium (paire) | 2 |
| 7 | S99527023 | Filtre de recirculation pour installation sans conduits | 1 |
| 8 | S99527131 | Plaque courbée en métal avec tringle | 1 |
| 9 | S99526983 | Clapet / raccord de conduit | 1 |
| 10 | S99526984 | Conduit d'aluminium flexible / extensible de 15,2 cm (6 po) de diamètre | 1 |
| 11 | S99527021 | Ensemble de caisson non canalisé | 1 |
| 12 | S99527130 | Support angulaire | 8 |
| 13 | S99527022 | Plaque de fixation au plafond avec boîte de jonction | 1 |
| 14 | S99527013 | Couvercle en plastique | 1 |
| | S99527011 | Transformateur (non illustré) | 1 |
| | S99527012 | Condensateur (non illustré) | 1 |
| | S99527132 | Sachet de pièces (non illustré) | 1 |

Veuillez commander les pièces par n° de pièce et non par n° de repère.

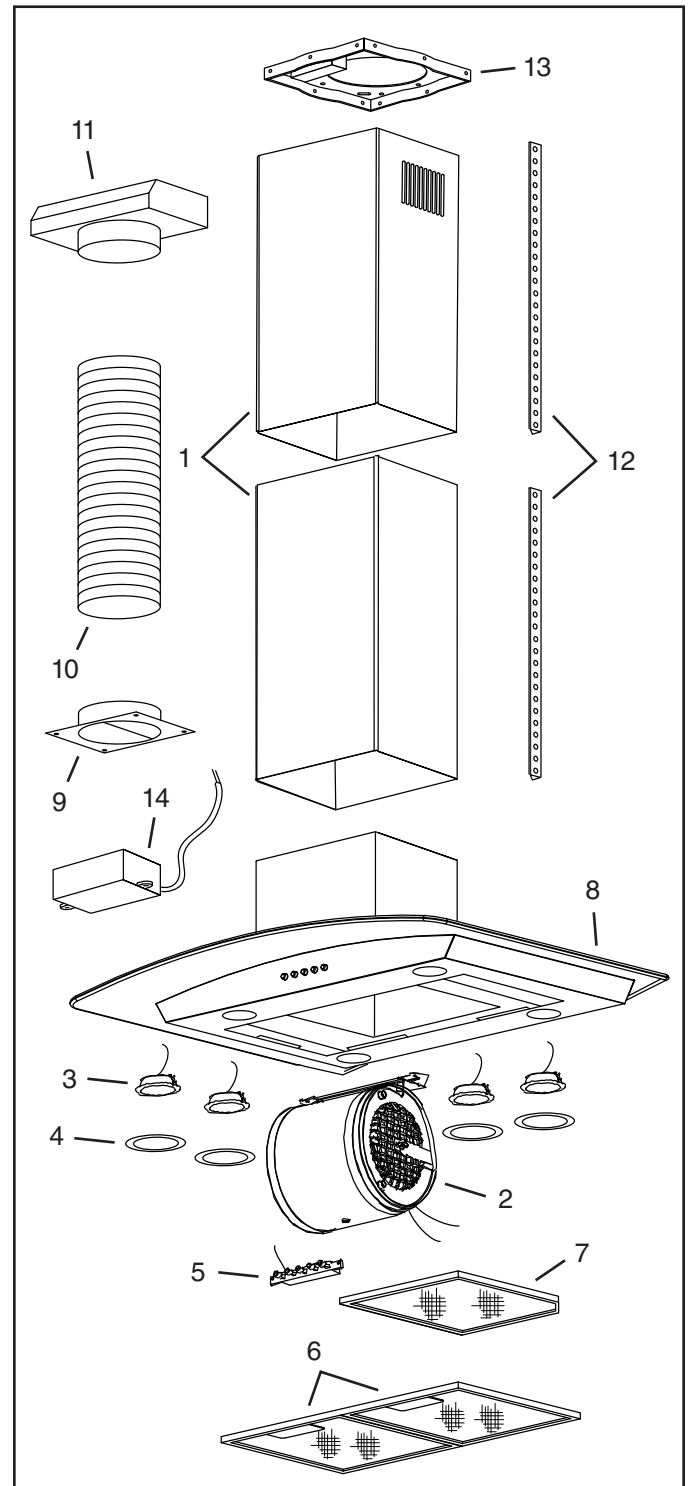
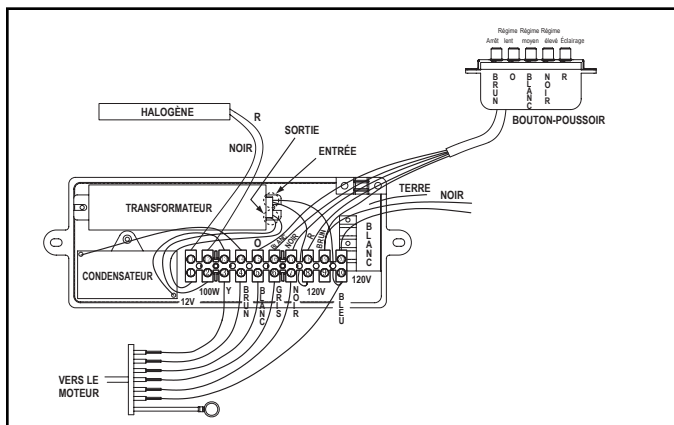


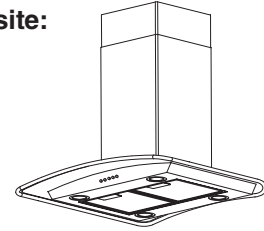
DIAGRAMME DE CÂBLAGE



Les pièces de rechange peuvent être commandées sur notre site : www.broan.com

CAMPANA DE ESTUFA DE CHIMENEA

Para registrar este producto visite:
www.broan.com



Página 19

LEA Y GUARDE ESTAS INSTRUCCIONES

⚠ INDICADA SOLAMENTE PARA COCINAR EN CASA. ⚠

⚠ ADVERTENCIA

PARA REDUCIR EL RIESGO DE INCENDIOS, DESCARGAS ELÉCTRICAS O LESIONES PERSONALES, OBSERVE LAS SIGUIENTES PRECAUCIONES:

1. Use la unidad sólo de la manera indicada por el fabricante. Si tiene preguntas, comuníquese con el fabricante a la dirección o al número telefónico que se incluye en la garantía.
2. Antes de dar servicio o limpiar la unidad, interrumpa el suministro eléctrico en el panel de servicio y bloquee los medios de desconexión del servicio para evitar que la electricidad sea reanudada accidentalmente. Cuando no sea posible bloquear los medios de desconexión del servicio, fije firmemente una señal de advertencia (como una etiqueta) en un lugar visible del panel de servicio.
3. Sólo personal calificado debe realizar el trabajo de instalación y el cableado eléctrico, de acuerdo con todos los códigos y normas correspondientes, incluidos los códigos y normas de construcción específicos sobre protección contra incendios.
4. Se necesita suficiente aire para que se lleve a cabo una combustión y una extracción adecuadas de los gases a través del tubo de humos (chimenea) del equipo quemador de combustible, con el fin de evitar el contratiempo. Siga las directrices y las normas de seguridad del fabricante del equipo de calefacción, como las publicadas por la Asociación Nacional de Protección contra Incendios (National Fire Protection Association, NFPA), la Sociedad Americana de Ingenieros en Calefacción, Refrigeración y Aire Acondicionado (American Society for Heating, Refrigeration and Air Conditioning Engineers, ASHRAE), y las autoridades de los códigos locales.
5. Al cortar o perforar a través de la pared o del techo, tenga cuidado de no dañar el cableado eléctrico ni otros servicios ocultos.
6. Los ventiladores en conductos siempre deben ventearse hacia el exterior.
7. No use esta unidad junto con ningún otro dispositivo de control de velocidad de estado sólido.
8. Para reducir el riesgo de incendio, use solamente conductos de acero.
9. Esta unidad debe conectarse a tierra.

PARA REDUCIR EL RIESGO DE UN INCENDIO PRODUCIDO POR GRASA EN UNA ESTUFA:

- a) Nunca deje desatendidas las unidades de la superficie cuando estén en ajustes altos de calor. Los alimentos en ebullición provocan derrames grasosos y con humo que se pueden encender. Caliente el aceite lentamente en ajustes de calor bajo o medio.
- b) Siempre ENCIENDA la campana cuando esté cocinando a altas temperaturas o flameando alimentos (por ejemplo crepas Suzette, cerezas Jubilee, bistec con pimienta flameado).
- c) Limpie frecuentemente los ventiladores. No permita la acumulación de grasa en el ventilador ni en los filtros.
- d) Use una cacerola del tamaño adecuado. Siempre use utensilios de cocina que sean apropiados para el tamaño del elemento de la superficie.

⚠ ADVERTENCIA

PARA REDUCIR EL RIESGO DE LESIONES PERSONALES EN EL CASO DE QUE LA GRASA DE LA ESTUFA SE INCENDIE, OBSERVE LAS SIGUIENTES PRECAUCIONES*:

1. APAGUE LAS LLAMAS con una tapa de ajuste exacto, una charola para galletas o una bandeja de metal, y después apague el quemador. PROCEDA CON CUIDADO PARA EVITAR QUEMADURAS. SI LAS LLAMAS NO SE APAGAN INMEDIATAMENTE, EVACÚE EL ÁREA Y LLAME AL DEPARTAMENTO DE BOMBEROS.
2. NUNCA LEVANTE UNA CACEROLA INCENDIADA, se puede quemar.
3. NO USE AGUA ni toallas húmedas, ya que provocará una violenta explosión de vapor.
4. Use un extintor SÓLO si:
 - A. El extintor es clase ABC y usted sabe cómo usarlo.
 - B. El incendio es pequeño y está confinado al área en la que se inició.
 - C. Se ha llamado al departamento de bomberos.
 - D. Puede combatir el incendio teniendo la espalda orientada hacia una salida.

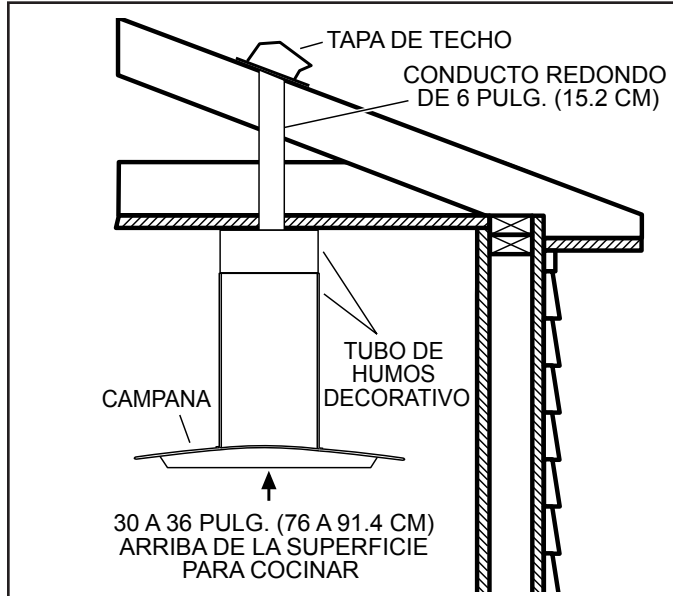
*Basado en "Kitchen Fire Safety Tips" (Sugerencias para la seguridad contra incendios en la cocina) publicado por NFPA.

PRECAUCIÓN

1. Sólo para usarse como medio de ventilación general. No debe usarse para la extracción de materiales ni vapores peligrosos o explosivos.
2. Para evitar daños a los cojinetes del motor y rotores ruidosos o desbalanceados, mantenga la unidad de potencia protegida contra rociados de yeso, polvos de construcción, etc.
3. No use equipo para cocinar mayor de 60,000 BTU/hr, pues el motor ventilador se apagará de manera intermitente.
4. Este motor de campana tiene una protección contra sobrecargas térmicas que automáticamente apagará el motor en caso de sobrecalentamiento. El motor reanudará su funcionamiento cuando se enfríe. Si el motor continúa apagándose y encendiéndose, solicite servicio para la campana.
5. La parte inferior de la campana NO DEBE ESTAR A MENOS de 30 pulg. (76 cm) y a un máximo de 36 pulg. (91.4 cm) por arriba de la estufa, para captar mejor las impurezas que surgen al cocinar.
6. Se recomienda que dos personas hagan la instalación debido al gran tamaño de esta campana.
7. Para reducir el riesgo de incendio y para descargar adecuadamente el aire, asegúrese de dirigir el aire hacia el exterior. No descargue el aire en espacios contenidos entre paredes o cielos rasos, ni en áticos, sótanos bajos ni en la cochera.
8. Tenga cuidado al instalar el tubo de humos decorativo y la campana; pueden tener bordes afilados.
9. Lea la etiqueta de especificaciones que tiene el producto para ver información y requisitos adicionales.

**INSTALADOR: DEJE ESTA GUÍA CON EL PROPIETARIO DE LA VIVIENDA.
PROPIETARIO DE LA VIVIENDA: EN LA PÁGINA 26 ENCONTRARÁ INFORMACIÓN DE OPERACIÓN Y MANTENIMIENTO.**

INSTALACIÓN DEL SISTEMA DE CONDUCTOS (Sólo campanas para sistemas con conductos)



1. Decida dónde instalará el conducto entre la campana y el exterior.
2. Un conducto recto y corto permitirá que la campana funcione más eficientemente.
3. Los tramos largos de conductos, codos y transiciones reducirán el rendimiento de la campana. Use tan pocos de ellos como sea posible. Es posible que se requieran conductos más grandes para un mejor funcionamiento con tramos más largos de conductos.
4. Instale la tapa para pared o para techo. Conecte un conducto metálico redondo en la tapa y trabaje hacia atrás, hacia la ubicación de la campana. Use cinta para conductos para sellar las uniones entre las secciones de conductos.

MIDA LA INSTALACIÓN

La distancia mínima de la campana sobre la superficie de la estufa NO DEBE SER MENOR de 30 pulg. (76 cm).

Se recomienda enfáticamente una distancia máxima de 36 pulg. (91.4 cm) sobre la superficie de la estufa para la mejor captura de las impurezas resultantes del cocinado.

Utilizar distancias superiores a las 36 pulg. (91.4 cm) quedan a discreción del usuario y del instalador, siempre y cuando lo permita la altura hasta el cielo raso.

NOTA:

En los cielos rasos de 8 pies (2.4 m)

La distancia de la campana arriba de la estufa es:
Mínima de 30 pulg. (76 cm), máxima de 32¼ pulg. (82 cm) (para la descarga de los conductos)
Mínima de 30 pulg. (76 cm), máxima de 30½ pulg. (77.4 cm) (para la descarga sin conductos)

En los cielos rasos de 9 pies (2.7 m)

La distancia de la campana arriba de la estufa es:
Mínima de 30 pulg. (76 cm), máxima de 36 pulg. (91.4 cm) (para la descarga para sistemas sin conductos y con conductos)

En los cielos rasos de 10 pies (3 m)

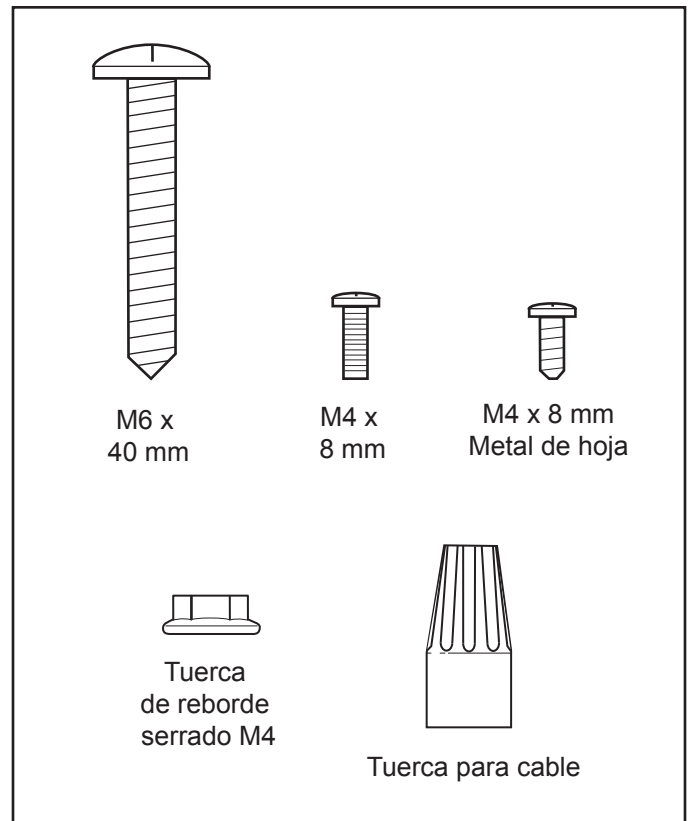
La distancia de la campana arriba de la estufa es:
Mínima de 30 pulg. (76 cm), máxima de 36 pulg. (91.4 cm) (para la descarga para sistemas sin conductos y con conductos)

NOTA: Los cielos rasos de 10 pies (3 m) requieren una extensión del tubo de humos de 10 pies (3 m), modelo FXN59SS para instalaciones con conductos o sin conductos (se compra por separado).

PREPARE LA CAMPANA

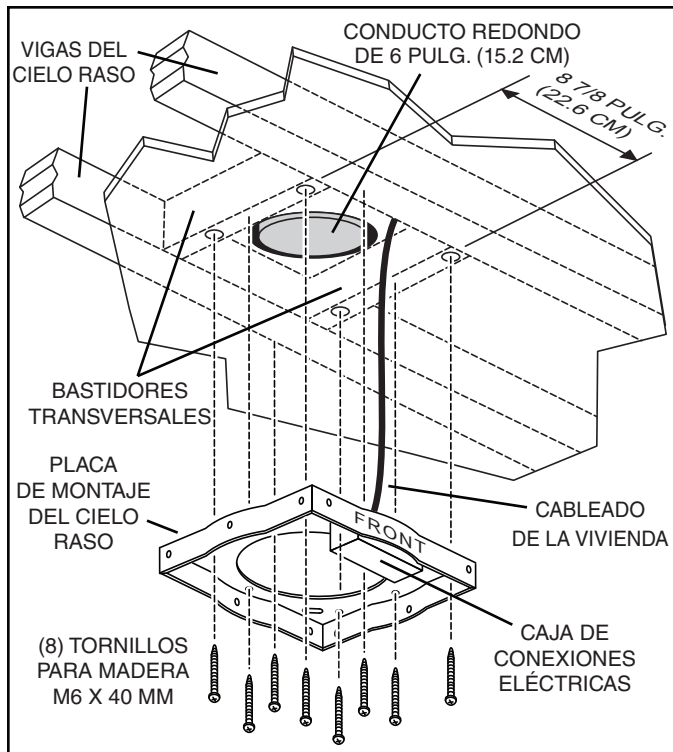
Desempaque la campana y revise el contenido del paquete. Debe contener lo siguiente:

- 1 - Campana
- 1 - Dosel de metal
- 1 - Conjunto del tubo de humos decorativo (2 piezas)
- 1 - Conector del regulador de tiro/conducto
- 1 - Placa para montaje en cielo raso
- 8 - Soportes en ángulo
- 2 - Filtros de aluminio para grasa (instalados en la campana)
- 1 - Bolsa de piezas con:
 - 8 - Tornillos de montaje (M6 x 40 mm de cabeza troncocónica)
 - 46 - Tornillos de máquina (M4 x 8 mm, cabeza troncocónica)
 - 20 - Tuercas con reborde serrado (M4)
 - 8 - Tornillos de chapa de metal (M4 x 8 mm, cabeza Phillips)
 - 3 - Tuercas para cable

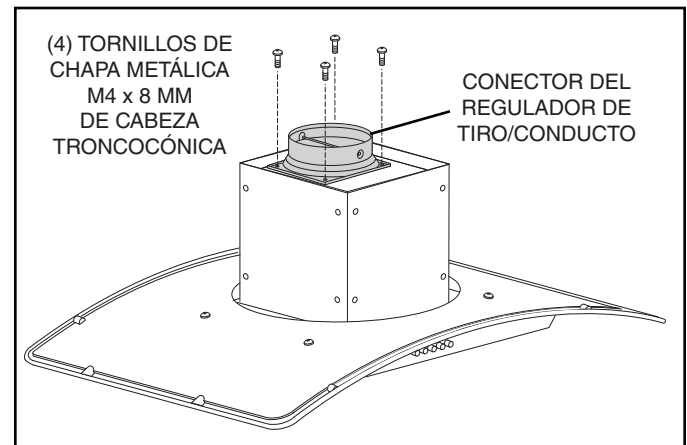


INSTALE EL SOPORTE PARA EL CIELO RASO

Página 21



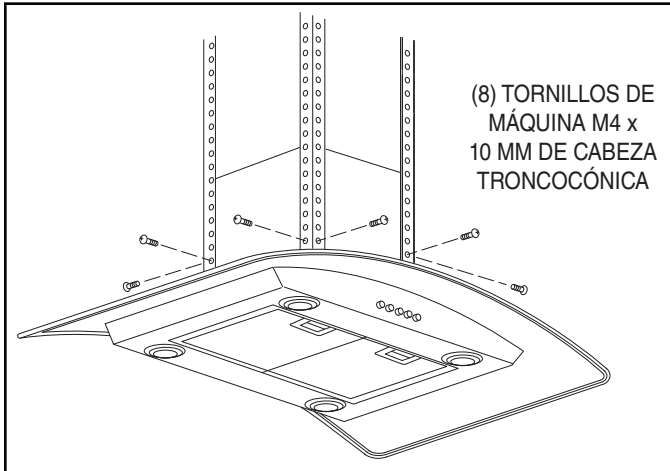
PREPARE LA CAMPANA



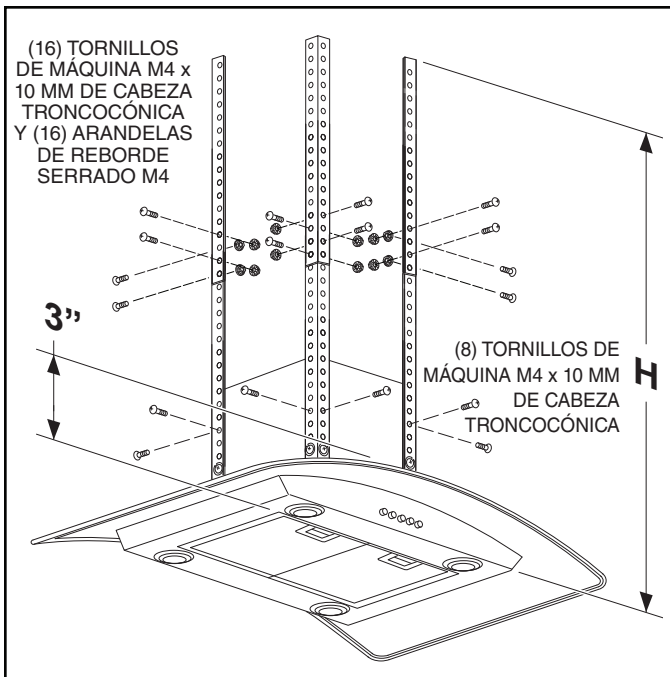
1. Coloque la campana sobre una superficie plana protegida para asegurarse de que no se dañe la campana.
2. Fije el regulador de tiro/conector de conducto a la campana con (4) tornillos de chapa metálica M4 x 8 mm de cabeza troncocónica.

1. En la ubicación de la campana, instale bastidores transversales de 2 x 4 entre las vigas del cielo raso usando las dimensiones mostradas. Cerciérese bastidores no interfiera con abertura de la caja de conexiones eléctricas en placa de montaje del cielo raso.
2. Instale el cableado de la casa y los conductos.
3. Termine la superficie del cielo raso. Asegúrese de marcar la ubicación de las vigas del cielo raso y de los bastidores transversales. Pase el cableado de la casa por el cielo raso terminado.
4. Quite la cubierta de la caja de conexiones eléctricas en la placa de montaje del cielo raso. Estire el cableado de la casa por el orificio arriba de la placa de montaje y hacia la caja de conexiones eléctricas. Asegure el cableado de la casa a la placa de montaje/caja eléctrica con el conector adecuado.
5. Instale la placa de montaje del cielo raso con el lado marcado "FRONT" (frente) en la ubicación deseada de la campana. Asegure usando (8) tornillos de madera M6 x 40 mm. Asegúrese de que los tornillos se coloquen al centro de la estructura para obtener la máxima fuerza.

INSTALE LA CAMPANA (Únicamente en instalaciones con conductos)



1. Arme (4) soportes en ángulo sobre las ubicaciones inferiores de montaje de la campana usando (8) tornillos de máquina M4 x 10 mm de cabeza troncocónica (2 para cada soporte en ángulo).



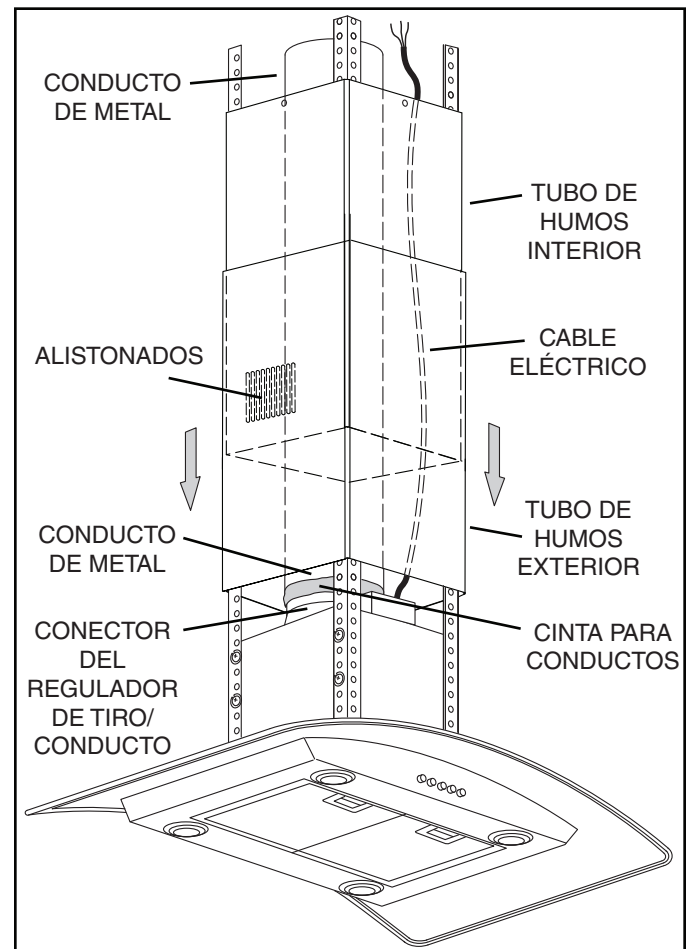
2. Determine la dimensión "H" con base en la altura del cielo raso y la altura de la instalación de la campana arriba de la estufa:

| | | |
|------------------------------|--|-------------------------|
| Cielo raso de 8 pies (2.4 m) | Campana de 30 pulg. (76 cm) arriba de la estufa | H = 30 pulg. (76 cm) |
| | Campana de 32¼ pulg. (81.9 cm) arriba de la estufa | H = 27¾ pulg. (70.4 cm) |
| Cielo raso de 9 pies (2.7 m) | Campana de 30 pulg. (76 cm) arriba de la estufa | H = 42 pulg. (106.6 cm) |
| | Campana de 36 pulg. (91.4 cm) arriba de la estufa | H = 36 pulg. (91.4 cm) |
| Cielo raso de 10 pies (3 m) | Campana de 30 pulg. (76 cm) arriba de la estufa | H = 54 pulg. (137 cm) |
| | Campana de 36 pulg. (91.4 cm) arriba de la estufa | H = 48 pulg. (122 cm) |

Para cielos rasos de 10 pies (3 m): Compre una extensión de tubo de humos de 10 pies (3 m) (Modelo FXN59SS) que incluye (4) soportes de montaje en ángulo adicionales, (1) tubo de humos superior más largo y herrajes de montaje adicionales.

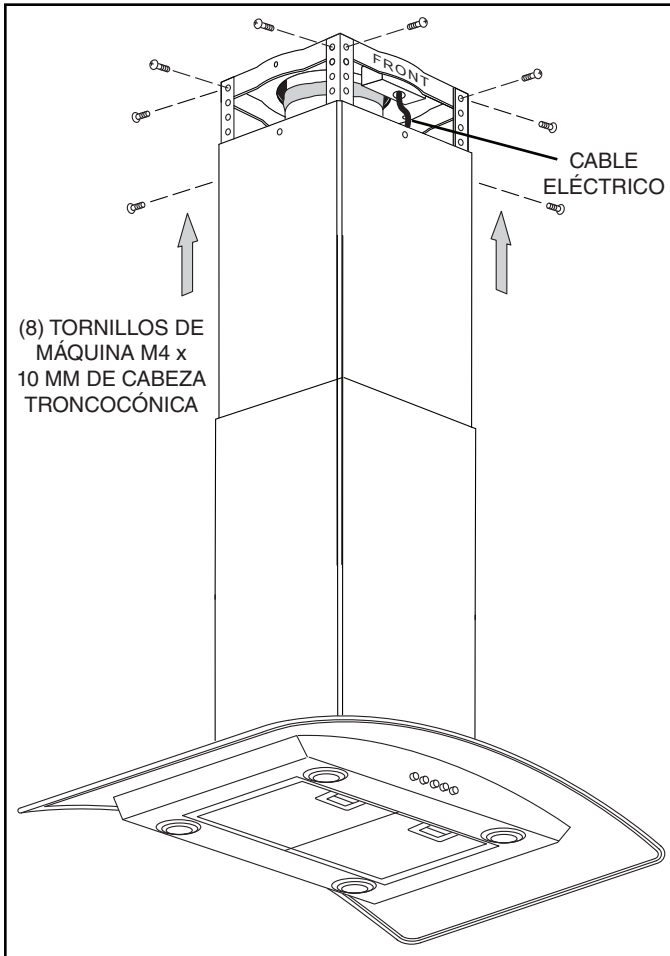
3. Fije el conjunto superior de (4) soportes en ángulo a la parte exterior de los soportes de ángulo inferior, de acuerdo con la dimensión "H". Use (16) tornillos de máquina M4 x 10 mm de cabeza troncocónica y (16) tuercas de reborde serrado M4 (4 en cada conexión de soporte en ángulo).
4. Fije los conjuntos de soportes en ángulo sobre las ubicaciones superiores de montaje de la campana usando (8) tornillos de máquina M4 x 10 mm de cabeza troncocónica (2 para cada soporte en ángulo).

Para cielos rasos de 10 pies (3 m): Fije un tercer juego de (4) soportes en ángulo al interior del segundo conjunto de soportes en ángulo utilizando los herrajes incluidos.

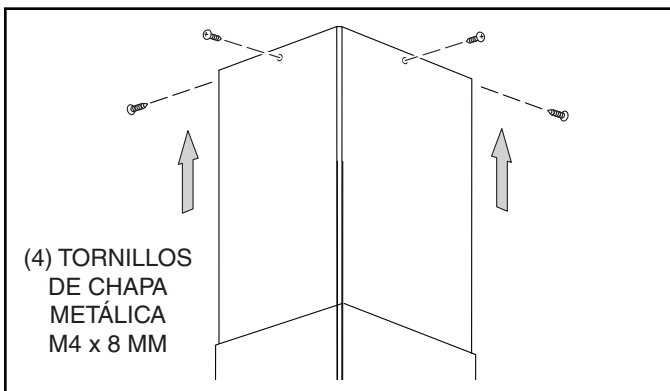


5. Mida la longitud del conducto metálico redondo de 6 pulg. (15.2 cm) requerido para el regulador de tiro/conector de conductos al empalme de los conductos en el cielo raso. Conecte el conducto al regulador de tiro/conector de conductos y séllelo con cinta para conductos.
6. Retire el recubrimiento protector del tubo de humos interior. Gire el tubo de humos interior de tal manera que el alistonado quede al fondo. Deslice con cuidado el tubo de humos interior en el tubo de humos exterior. Deslice los tubos de humos sobre los soportes en ángulo. Asegúrese de que el lado marcado "frente" quede de frente al lado de control de la campana. Alimente el cable eléctrico por los tubos de humos.

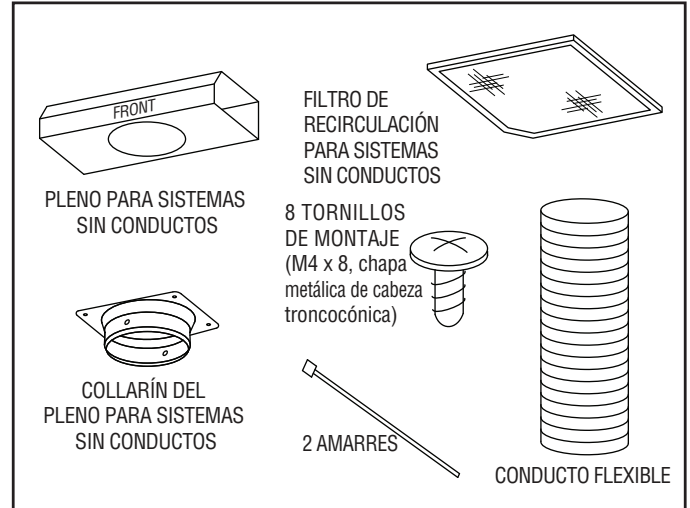
INSTALE LA CAMPANA (Únicamente en instalaciones sin conductos)



7. Fije el conjunto de la campana al soporte del techo usando (8) tornillos de máquina M4 x 10 mm (2 para cada pata de soporte).
8. Conecte el conducto de metal al conducto del cielo raso y selle con cinta para conductos.
9. Conecte el cable eléctrico al cableado de la casa por dentro de la caja de conexiones eléctricas. Conecte negro con negro, blanco con blanco y verde con verde o con el hilo desnudo. Asegure el cable eléctrico a la caja de cableado con el conector adecuado y vuelva a colocar la cubierta de la caja de conexiones.



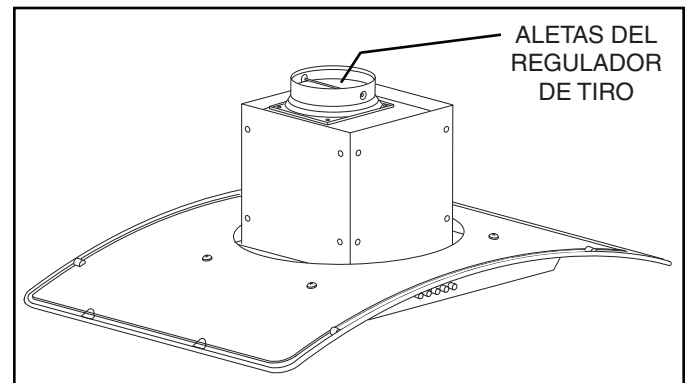
10. Deslice el tubo de humos hacia el techo y asegúrelo con (4) tornillos de chapa metálica M4 x 8 mm.
11. Retire el recubrimiento protector de la campana y el tubo de humos exterior.



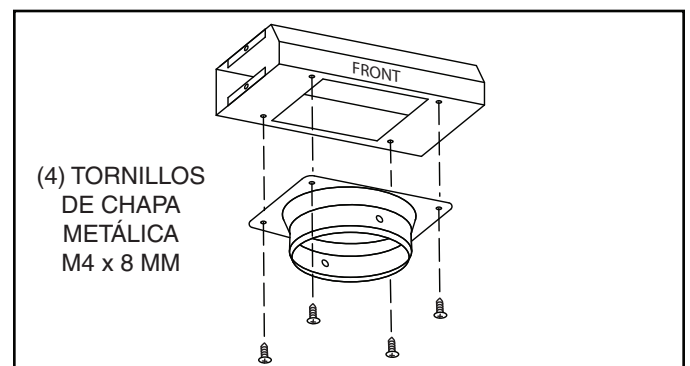
NOTA:

Las instalaciones sin conductos requieren el kit para sistemas sin conductos, modelo RK59 (se compra por separado).

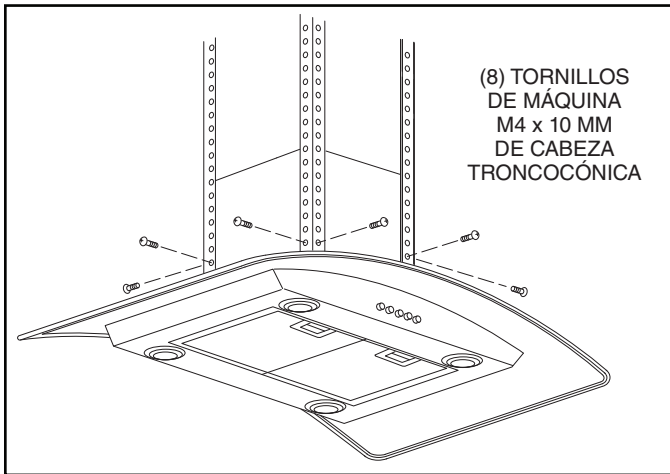
No use conducto de plástico ni de metal rígido.



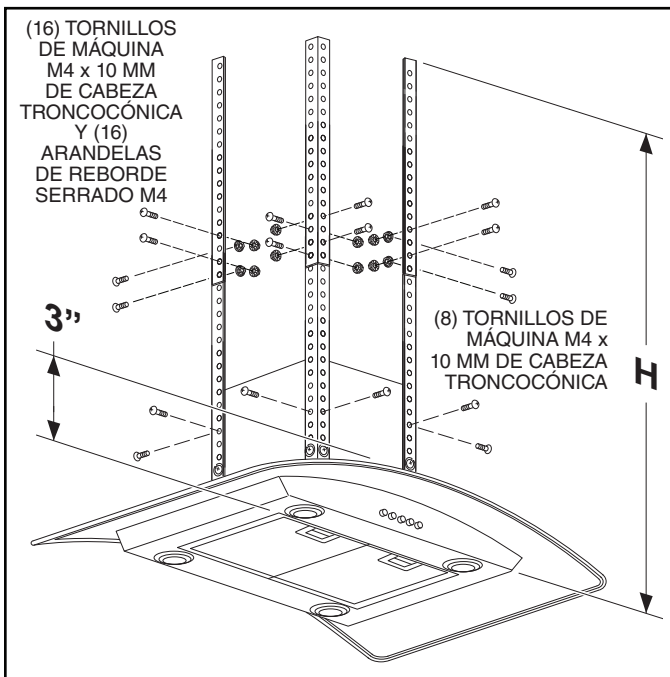
1. Quite las aletas del regulador/conector del conducto y deseche las aletas.



2. Fije el collarín para sistemas sin conductos al pleno para sistemas sin conductos usando cuatro (4) tornillos de chapa metálica M4 x 8 mm.



1. Arme (4) soportes en ángulo sobre la campana usando (8) tornillos de máquina M4 x 10 mm de cabeza troncocónica (2 para cada soporte en ángulo).



2. Determine la dimensión "H" con base en la altura del cielo raso y la altura de la instalación de la campana arriba de la estufa:

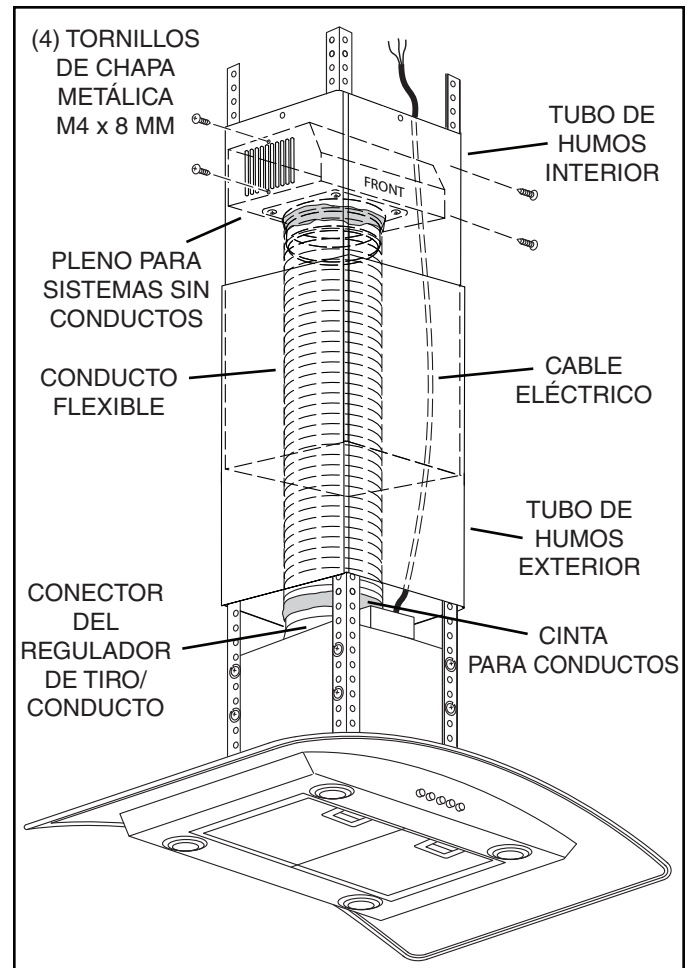
| | | |
|------------------------------|--|---|
| Cielo raso de 8 pies (2.4 m) | Campana de 30 pulg. (76 cm) arriba de la estufa Campana de 30 ½ pulg. (77.4 cm) arriba de la estufa | H = 30 pulg. (76 cm) H = 29½ pulg. (74.9 cm) |
| Cielo raso de 9 pies (2.7 m) | Campana de 30 pulg. (76 cm) arriba de la estufa Campana de 36 pulg. (91.4 cm) arriba de la estufa | H = 42 pulg. (106.6 cm) H = 36 pulg. (91.4 cm) |
| Cielo raso de 10 pies (3 m) | Campana de 30 pulg. (76 cm) arriba de la estufa Campana de 36 pulg. (91.4 cm) arriba de la estufa | H = 54 pulg. (137 cm) H = 48 pulg. (122 cm) |

Para cielos rasos de 10 pies (3 m): Compre una extensión de tubo de humos de 10 pies (3 m) (Modelo FXN59SS) que incluye (4) soportes de montaje en ángulo adicionales, (1) tubo de humos superior más largo y herrajes de montaje adicionales.

3. Fije el conjunto superior de (4) soportes en ángulo a la parte exterior de los soportes de ángulo inferior, de acuerdo con la dimensión "H". Use (16) tornillos de máquina M4 x 10 mm de cabeza troncocónica y (16) tuercas de reborde serrado M4 (4 en cada conexión de soporte en ángulo).

4. Fije los conjuntos de soportes en ángulo sobre las ubicaciones superiores de montaje de la campana usando (8) tornillos de máquina M4 x 10 mm de cabeza troncocónica (2 para cada soporte en ángulo).

Para cielos rasos de 10 pies (3 m): Fije un tercer juego de (4) soportes en ángulo al interior del segundo conjunto de soportes en ángulo utilizando los herrajes incluidos.

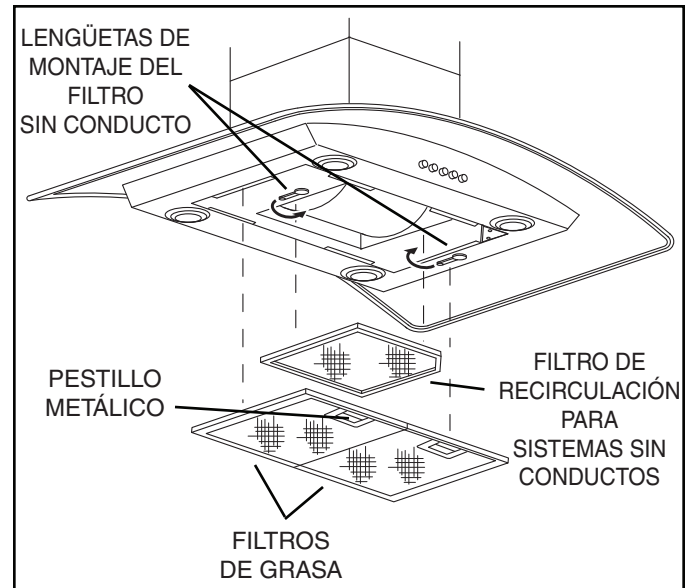
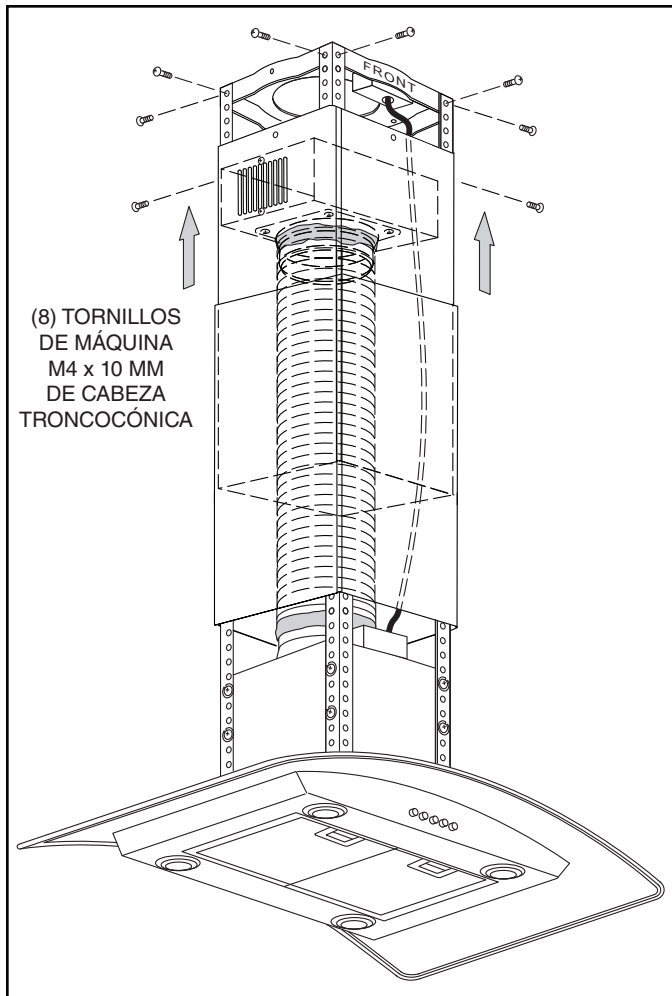


5. Mida la longitud del conducto flexible redondo de 6 pulg. (15.2 cm) requerido para el regulador de tiro/conector de conductos al empalme de los conductos en el cielo raso. Conecte el conducto al regulador de tiro/conector de conductos, asegure con amarre y séllelo con cinta para conductos.

6. Fije el conducto flexible de aluminio al collarín del pleno sin conductos. Asegúrese de que el "FRONT" (frente) del pleno sin conductos queda de frente de la campana. Asegure con amarre y sello con cinta para conductos.

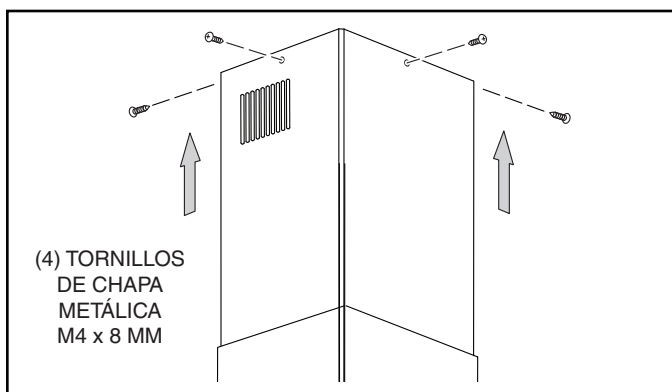
7. Retire el recubrimiento protector del tubo de humos interior. Gire el tubo de humos interior de tal manera que el alistonado quede en la parte superior. Deslice con cuidado el tubo de humos interior en el tubo de humos exterior. Deslice los tubos de humos sobre los soportes en ángulo. Asegúrese de que el lado marcado "frente" quede de frente al lado de control de la campana. Alimente el cable eléctrico por los tubos de humos.

8. Estire hacia arriba el tubo de humos interior y fije el pleno para sistema sin conductos con collarín al tubo de humos superior usando (4) tornillos de chapa metálica M4 x 8 mm.



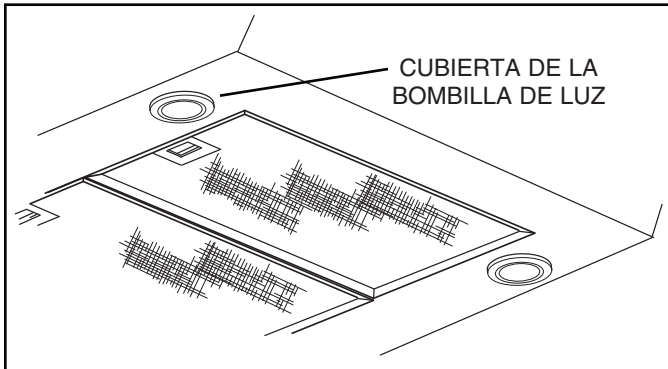
13. Retire los filtros de grasa estirando hacia abajo la cejilla metálica e inclinando los filtros hacia abajo para quitarlos.
14. Instale el filtro de recirculación para sistemas sin conductos como se muestra. Gire las lengüetas de montaje en la campana para asegurar el filtro.
15. Reinstale los filtros para grasa alineando las lengüetas posteriores del filtro con las ranuras de la campana. Estire hacia abajo la lengüeta metálica del cierre, presione el filtro en su posición y libere. Asegúrese de que los filtros estén seguramente enganchados después de su instalación.

9. Fije el conjunto de la campana al soporte del techo usando (8) tornillos de máquina M4 x 10 mm (2 para cada pata de soporte).
10. Conecte el cable eléctrico al cableado de la casa. Conecte negro con negro, blanco con blanco y verde con verde o con el hilo desnudo. Fije el cable eléctrico a la caja del cableado con el conector adecuado.



11. Deslice el tubo de humos hacia el techo y asegúrelo con (4) tornillos de chapa metálica M4 x 8 mm.
12. Retire el recubrimiento protector de la campana y el tubo de humos exterior.

BOMBILLAS



⚠ ADVERTENCIA

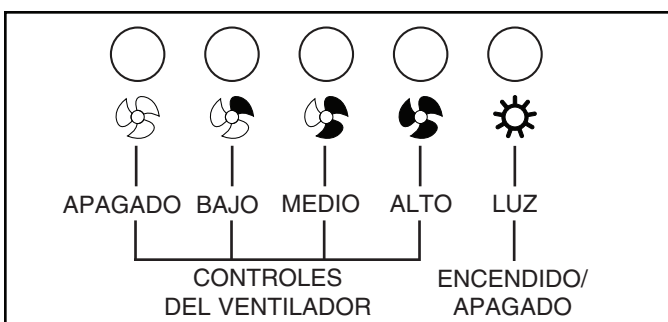
Las bombillas podrían estar calientes. Siempre permita que se enfríen las bombillas antes de cambiarlas.

Esta campana de estufa requiere cuatro bombillas de halógeno (tipo JC, 12 V, 20 W máximo y base G-4).

Para cambiar las bombillas:

1. Retire la cubierta de la bombilla de luz empujándola suavemente hacia arriba y girándola en sentido contrahorario.
2. Reemplace la bombilla.
3. Reinstale la cubierta de la bombilla de luz empujándola suavemente hacia arriba y girándola en sentido horario.

FUNCIONAMIENTO



La campana se hace funcionar con los botones en el panel frontal.

Presione el botón de la luz para encender y apagar las luces.

Presione los controles del ventilador para seleccionar velocidad baja, media o alta del ventilador.

Presione el botón de APAGADO para apagar el ventilador.

MANTENIMIENTO

Filtros de grasa

Los filtros de grasa deben limpiarse una vez al mes. Retire los filtros de grasa estirando hacia abajo la cejilla metálica. Esto desprenderá el filtro de la campana. Incline el filtro hacia abajo y quítelo.

Para limpiar los filtros totalmente metálicos: Utilice una solución detergente tibia o colóquelos en la máquina lavaplatos, usando un detergente sin fosfatos. El filtro se puede decolorar si se utilizan detergentes con fosfatos o como resultado de la condición del agua local, pero esto no afectará el rendimiento del filtro. Esta decoloración no está cubierta por la garantía.

Filtro de recirculación para sistemas sin conductos

Cambie el filtro de recirculación cada 6 meses.

Limpieza de la campana

Cómo mantener el aspecto brillante del acero inoxidable y ayudar a prevenir la corrosión.

Cosas que hacer:

- Una vez al mes, lave las superficies con una tela o trapo limpio remojado con agua tibia y jabón o detergente líquido para platos.
- Siempre limpie en la dirección de las líneas originales de pulido.
- Siempre enjuague bien con agua limpia (2 ó 3 veces) después de la limpieza. Deje totalmente seco.
- También puede usar un limpiador casero especializado para acero inoxidable.

Qué no hacer:

- No use lana de acero o acero inoxidable ni ningún tipo de raspador para quitar mugre difícil de sacar.
- No lo limpie con limpiadores abrasivos o fuertes.
- No permita que se acumule la mugre.
- No deje que el polvo forme plastas ni que quede en la campana algún otro residuo de la construcción. Durante la construcción o la renovación, cubra la campana para estar seguro de que el polvo no se pegue a la superficie de acero inoxidable.

Evite: al elegir un detergente

- Todo limpiador que contenga blanqueador, pues atacará al acero inoxidable.
- Todo producto que contenga: cloruro, fluoruro, yoduro, bromuro, pues deteriorará las superficies rápidamente.
- Todo producto combustible utilizado para la limpieza, como acetona, alcohol, éter, bencol, etc., pues son altamente explosivos y nunca se deben usar cerca de una estufa.

PIEZAS DE SERVICIO

| CLAVE | PIEZA N.º | DESCRIPCIÓN | CANT. |
|-------|-----------|---|-------|
| 1 | S99527129 | Tubos de humos decorativos superior e inferior | 1 |
| 2 | S99526974 | Conjunto de motor/ventilador | 1 |
| 3 | S99526975 | Conjunto de la base para la luz | 4 |
| 4 | S99527010 | Conjunto del anillo de moldura para la luz/lente | 4 |
| 5 | S99526976 | Conjunto de botones | 1 |
| 6 | S97018029 | Filtros de aluminio para grasa (par) | 2 |
| 7 | S99527023 | Filtro de recirculación para sistemas sin conductos | 1 |
| 8 | S99527131 | Placa de metal curvo con riel | 1 |
| 9 | S99526983 | Conector del regulador de tiro/conducto | 1 |
| 10 | S99526984 | 6 pulg. (15.2 cm) de diám. Conducto de aluminio flexible expansible | 1 |
| 11 | S99527021 | Conjunto del pleno para sistemas sin conductos | 1 |
| 12 | S99527130 | Soporte para montaje en ángulo | 8 |
| 13 | S99527022 | Soporte de montaje para cielo raso con caja de conexiones | 1 |
| 14 | S99527013 | Cubierta de plástico | 1 |
| | S99527011 | Transformador (no se muestra) | 1 |
| | S99527012 | Capacitor (no se muestra) | 1 |
| | S99527132 | Bolsa de piezas (no se muestra) | 1 |

Otras piezas de servicio, indicar por número de la pieza, no por número de clave.

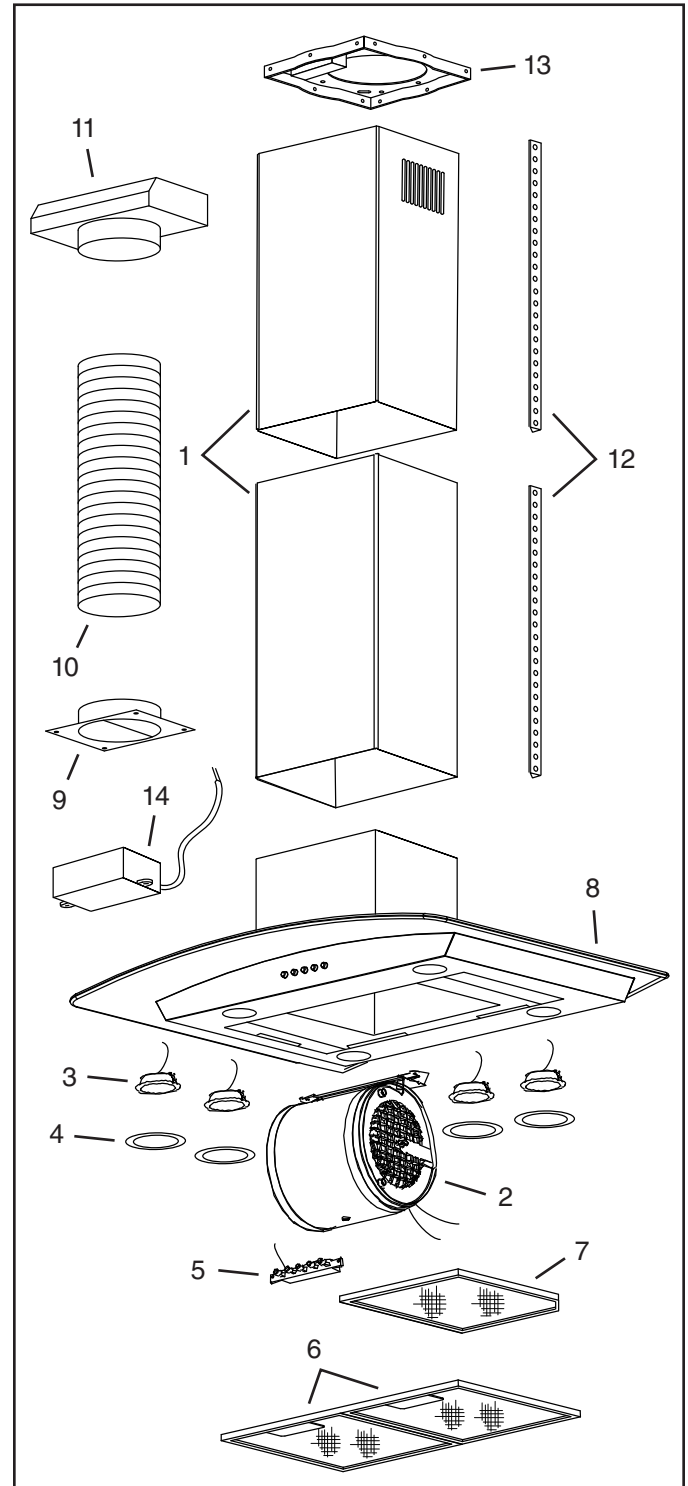
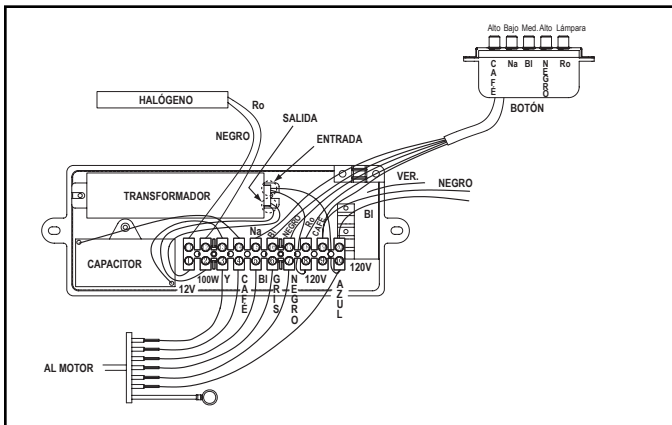


DIAGRAMA DE CABLEADO



En nuestro sitio Web se pueden hacer los pedidos de las piezas de repuesto: www.broan.com

One Year Limited Warranty

WARRANTY OWNER: Broan-NuTone warrants to the original consumer purchaser of its products that such products will be free from defects in materials or workmanship for a period of one (1) year from the date of original purchase. **THERE ARE NO OTHER WARRANTIES, EXPRESS OR IMPLIED, INCLUDING, BUT NOT LIMITED TO, IMPLIED WARRANTIES OF MERCHANTABILITY OR FITNESS FOR A PARTICULAR PURPOSE.**

During this one year period, Broan-NuTone will, at its option, repair or replace, without charge, any product or part which is found to be defective under normal use and service. **THIS WARRANTY DOES NOT EXTEND TO FLUORESCENT LAMP STARTERS OR TUBES, FILTERS, DUCT, ROOF CAPS, WALL CAPS AND OTHER ACCESSORIES FOR DUCTING.** This warranty does not cover (a) normal maintenance and service or (b) any products or parts which have been subject to misuse, negligence, accident, improper maintenance or repair (other than by Broan-NuTone), faulty installation or installation contrary to recommended installation instructions.

The duration of any implied warranty is limited to the one year period as specified for the express warranty. Some states do not allow limitation on how long an implied warranty lasts, so the above limitation may not apply to you.

BROAN-NUTONE'S OBLIGATION TO REPAIR OR REPLACE, AT BROAN-NUTONE'S OPTION, SHALL BE THE PURCHASER'S SOLE AND EXCLUSIVE REMEDY UNDER THIS WARRANTY. BROAN-NUTONE SHALL NOT BE LIABLE FOR INCIDENTAL, CONSEQUENTIAL OR SPECIAL DAMAGES ARISING OUT OF OR IN CONNECTION WITH PRODUCT USE OR PERFORMANCE. Some states do not allow the exclusion or limitation of incidental or consequential damages, so the above limitation or exclusion may not apply to you. This warranty gives you specific legal rights, and you may also have other rights, which vary from state to state. This warranty supersedes all prior warranties.

WARRANTY SERVICE: To qualify for warranty service, you must (a) notify Broan-NuTone at the address or telephone number below, (b) give the model number and part identification and (c) describe the nature of any defect in the product or part. At the time of requesting warranty service, you must present evidence of the original purchase date.

Broan-NuTone LLC Hartford, Wisconsin www.broan.com 800-558-1711

Broan-NuTone Canada Mississauga, Ontario www.broan.ca 877-896-1119

Garantie limitée de un an

GARANTIE DU PROPRIÉTAIRE: Broan-NuTone garantit à l'acheteur original de ses produits que ces derniers seront exempts de tout défaut de matériaux et de fabrication pour une période de un (1) an à compter de la date d'achat. **AUCUNE AUTRE GARANTIE, IMPLICITE OU EXPRESSE, N'EST DONNÉE, Y COMPRIS, MAIS SANS S'Y LIMITER, GARANTIE DE MARCHANDIBILITÉ OU D'ADAPTATION À UN USAGE PARTICULIER.**

Pendant cette période d'un an, Broan-NuTone procédera au remplacement ou à la réparation sans aucuns frais, mais à sa propre discrétion, de tout produit ou pièce jugé défectueux dans le cadre d'une utilisation normale. **CETTE GARANTIE NE COUVRE PAS LES STARTERS DE TUBES FLUORESCENTS, LES FLUORESCENTS, LES FILTRES, CONDUITS, CAPUCHONS DE MUR OU DE TOIT ET AUTRES ACCESSOIRES D'INSTALLATION.** Cette garantie ne couvre pas (a) l'entretien et le service courants ni (b) les produits et les pièces ayant fait l'objet d'un usage abusif, de négligence, d'un accident, d'un entretien ou d'une réparation non appropriée (par du personnel non autorisé par Broan-NuTone) d'une mauvaise installation ou d'une installation non conforme aux directives d'installation fournies.

La durée de toute garantie implicite est limitée à la période de un an précisée pour la garantie expresse. Certains États ne reconnaissent pas les restrictions relatives à la durée des garanties implicites; il se pourrait donc que cette restriction ne s'applique pas dans votre cas.

LE REMPLACEMENT OU LA RÉPARATION PAR BROAN-NUTONE, À SA PROPRE DISCRÉTION, DE TOUT PRODUIT OU PIÈCE DÉFECTUEUX CONSTITUE LE SEUL REMÈDE DE L'ACHETEUR EN VERTU DE CETTE GARANTIE. BROAN-NUTONE NE PEUT ÊTRE TENUE RESPONSABLE DES DOMMAGES INDIRECTS, CONSÉCUTIFS OU SPÉCIAUX ATTRIBUABLES À UTILISATION OU AU RENDEMENT DU PRODUIT. Certains États ne reconnaissent pas les restrictions ni les exclusions relatives aux dommages indirects, consécutifs ou spéciaux; il se pourrait donc que cette restriction ne s'applique pas dans votre cas. La présente garantie vous accorde des droits spécifiques, mais vous pourriez aussi avoir d'autres droits en fonction de l'état dans lequel vous résidez. Cette garantie remplace toute autre garantie donnée précédemment.

SERVICE SOUS GARANTIE: Pour être admissible au service sous garantie, vous devez (a) aviser Broan-NuTone, à l'adresse ou au numéro de téléphone ci-dessous, (b) fournir le numéro du modèle et la description de la pièce et (c) décrire la nature du défaut de la pièce ou du produit. Au moment de la demande de service sous garantie, vous devez fournir une preuve de la date d'achat originale.

Broan-NuTone LLC Hartford, Wisconsin www.broan.com 800-558-1711

Broan-NuTone Canada Mississauga, Ontario www.broan.ca 877-896-1119

Garantía limitada de un año

GARANTÍA DEL PROPIETARIO: Broan-NuTone garantiza al comprador consumidor original de sus productos por un período de un (1) año desde la fecha original de compra, que tales productos están libres de defectos en material y mano de obra. **NO HAY OTRAS GARANTÍAS, EXPRESAS O IMPLÍCITAS, INCLUYENDO, ENTRE OTRAS, GARANTÍAS IMPLÍCITAS DE COMERCIALIZACIÓN O ADAPTABLES A UN PROPOSITO EN PARTICULAR.**

Durante este período de un año, Broan-NuTone reparará o reemplazará a su opción y sin costo, cualquier producto o parte que se encuentre defectuoso bajo condiciones normales de uso y servicio. **ESTA GARANTÍA NO CUBRE A LOS ARRANCADORES PARA LÁMPARAS FLUORESCENTES O A LOS TUBOS FLUORESCENTES, FILTROS, CONDUCTOS, TAPAS DE TECHO, TAPAS DE PARED Y OTROS ACCESORIOS PARA CANALIZACIÓN.** Esta garantía no cubre (a) Mantenimiento y servicios normales, ni (b) Productos o partes sujetos al mal uso, negligencia, accidente, mantenimiento inadecuado o reparaciones (por otros ajenos a Broan-NuTone), instalación defectuosa o una instalación contraria a las instrucciones de instalación recomendadas.

La duración de cualquier garantía implícita está limitada a un periodo de un año según se especifica en la garantía expresa. Algunos estados no permiten limitación en cuanto a la duración de una garantía implícita, por lo que la limitación arriba indicada puede que no se aplique a usted.

LA OBLIGACIÓN DE BROAN-NUTONE DE REPARAR O REEMPLAZAR A SU OPCIÓN, SERÁ EL ÚNICO Y EXCLUSIVO RECURSO QUE TENDRÁ EL COMPRADOR BAJO ESTA GARANTÍA. BROAN-NUTONE NO SERÁ RESPONSABLE POR DAÑOS INCIDENTALES, CONSECUENTES O ESPECIALES QUE RESULTEN A CONSECUENCIA O SEAN INDEPENDIENTES DEL USO O DESEMPEÑO DEL PRODUCTO. Algunos estados no permiten la exclusión o limitación de daños incidentales o consecuentes, de modo que la limitación o exclusión arriba indicada pueda que no se aplique a usted. Esta garantía le proporciona derechos legales específicos, y usted podría tener otros derechos, los cuales varían de un estado a otro. Esta garantía reemplaza a todas las garantías anteriores.

SERVICIO DE GARANTÍA: Para tener derecho al servicio de garantía, usted debe (a) notificar a Broan-NuTone a la dirección o al número de teléfono indicado abajo, (b) indicar el número de modelo y la identificación de la parte y (c) describir la naturaleza de cualquier defecto en el producto o parte. Al momento de solicitar el servicio por la garantía, usted debe presentar un comprobante de la fecha original de compra.

Broan-NuTone LLC Hartford, Wisconsin www.broan.com 800-558-1711

Broan-NuTone Canada Mississauga, Ontario www.broan.ca 877-896-1119