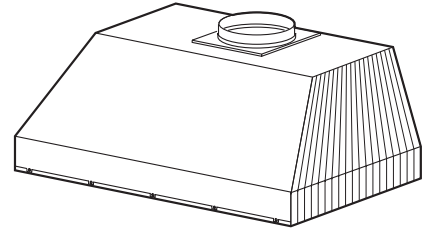


CP45 SERIES RANGE HOODS



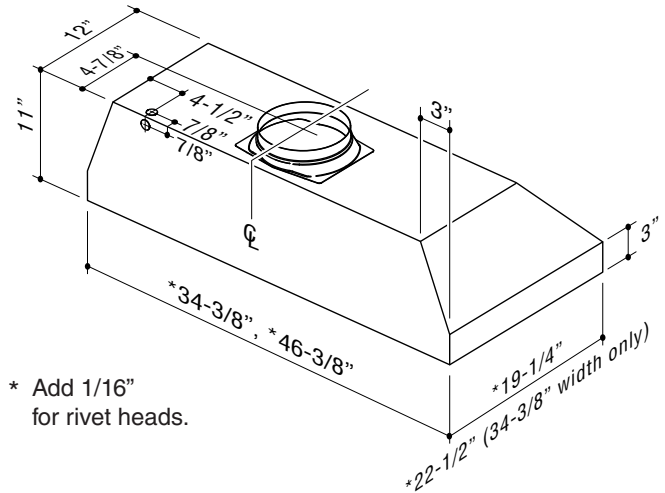
All-in-one design includes liner, blower, filtration, controls, lighting, and damper for easy installation into custom canopy hoods. Intended for all residential applications, including commercial-style cooking surfaces.

FEATURES

- Cabinet mount - custom applications
- Finish: 430 Stainless Steel #4 Brushed
- Widths: 34-3/8", 46-3/8"
- Depth: 19-1/4" (both widths) or 22-1/2" (34-3/8" width only)
- 8" round duct connector with backdraft damper
- Four-setting cooktop lighting (Uses 50W, GU10 halogen lamps. Bulbs included. 2 lamps on 34-3/8" wide hood, 4 lamps on 46-3/8" wide hood.)
- Easily accessible, dishwasher safe stainless steel Evolution™ baffle filters with handles
- 4-speed electronic blower control with LinkLogic® enabled technology
- Powerful, centrifugal blower with high-efficiency motor produces 600 CFM
- Quiet operation
- Heat Sentry™ - automatically turns blower to high speed when excess cooking heat is detected
- Compatible with the ARP8 CFM reducer kit to reduce CFM to 250-300
- Delay timer control automatically shuts off range hood after 10 minutes
- Special control indicates when it's time to clean the filter

OPTIONS

- Non-ducted kit (34-3/8" width only)
 - ANKCP4536
 - Charcoal filters included
- Replacement charcoal filters (34-3/8" width only)
 - AFCCP4536



* Add 1/16"
for rivet heads.



HVI-2100 CERTIFIED RATINGS comply with new testing technologies and procedures prescribed by the Home Ventilating Institute, for off-the-shelf products, as they are available to consumers. Product performance is rated at 0.1 in. static pressure, based on tests conducted in a state-of-the-art test laboratory. Sones are a measure of humanly-perceived loudness, based on laboratory measurements.

SPECIFICATIONS

MODEL NO.	VOLTS	AMPS	CFM / SONES (High Speed)	CFM / SONES (Low Speed)	DUCT
CP45I362SB	120	3.7	600 / 8.5	210 / 1.1	8" round
CP45I369SB	120	3.7	600 / 8.5	210 / 1.1	8" round
CP45I489SB	120	4.5	600 / 8.5	210 / 1.1	8" round



Best Hartford, Wisconsin www.BestRangeHoods.com 800-558-1711
 Best Mississauga, Ontario www.BestRangeHoods.com 877-896-1119

REFERENCE	QTY.	REMARKS	Project
			Location
			Architect
			Engineer
			Contractor
			Submitted by
			Date

CP45 SERIES HOOD SYSTEM

