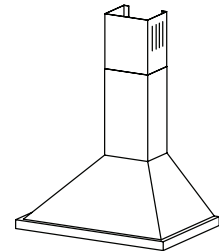


B58 SERIES RANGE HOOD



Timeless design that has become the icon of European style.

FEATURES

- Wall mount
- Finish: 430 Stainless Steel #4 Brushed
- Widths: 29-1/2"; 35-7/16"
- Telescopic flue accommodates 8' to 9' ceilings
- 6" round duct connector/backdraft damper
- Convertible to non-ducted operation (requires Model No. RK58 sold separately)
- Halogen lighting (2 Type JC, 12V, 20W, G-4 Base - bulbs included)
- 5 push-button controls: blower on-off, blower low speed, blower medium speed, blower high speed, light on-off
- Single centrifugal blower
- Dishwasher-safe filters feature a quick-release latch
- Cord-connected

OPTIONS

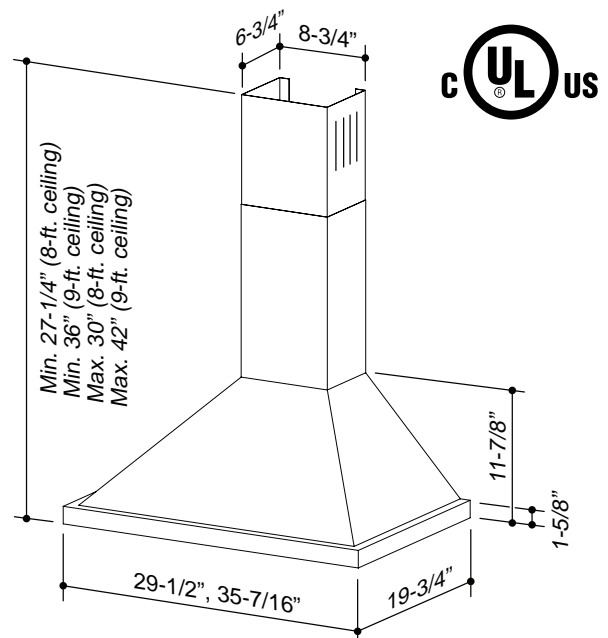
- Flue extension for 10' ceiling (Model No. FXN58SS) (27-3/4" long) (ducted or non-ducted)
- Replacement non-ducted recirculating filter (Model No. ROUND FILTER)
- Replacement grease filters available

SPECIFICATIONS

VOLTS	AMPS	CFM	SONES	DUCT
120	3.3	450 (high) 200 (low)	8.5 (high) 2.5 (low)	6" round



HVI-2100 CERTIFIED RATINGS comply with new testing technologies and procedures prescribed by the Home Ventilating Institute, for off-the-shelf products, as they are available to consumers. Product performance is rated at 0.1 in. static pressure, based on tests conducted in a state-of-the-art test laboratory. Sones are a measure of humanly-perceived loudness, based on laboratory measurements.

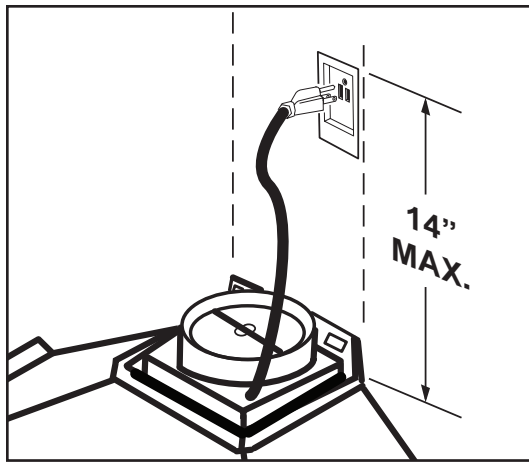


Mount range hood so bottom of hood is 30" minimum above cooking surface.

Broan-NuTone LLC Hartford, Wisconsin www.broan.com 800-558-1711

REFERENCE	QTY.	REMARKS	Project
			Location
			Architect
			Engineer
			Contractor
			Submitted by Date

B58 SERIES WIRING



1. GROUNDING INSTRUCTIONS

This appliance must be grounded. In the event of an electrical short circuit, grounding reduces the risk of electric shock by providing an escape wire for the electric current. This appliance is equipped with a cord having a grounding wire with a grounding plug. The plug must be plugged into an outlet that is properly installed and grounded.

NOTE:

A recessed "clock" outlet is recommended.

- Position the electrical outlet within the space covered by the decorative flue and where it will not interfere with the round duct. Make sure the outlet is no further than 14" from where the cord exits from the hood and that the outlet does not interfere with a mounting bracket fastening area or where the decorative flue touches the wall.

B58 SERIES MOUNTING

- Construct wood wall framing that is flush with interior surface of wall studs.

Make sure:

- the framing is centered over installation location.
- the height of the framing will allow the mounting bracket to be secured to the framing within the dimensions shown.

- After wall surface is finished, carefully center and level the hood mounting bracket and secure it to wall framing with (3) #8 x 1-1/2" mounting screws. Tighten the screws completely.

NOTE:

On 8-ft. ceilings

Hood distance above cooktop is:

Minimum 30", Maximum 32-3/4" (for ducted discharge)
Minimum 30", Maximum 30" (for non-ducted discharge)

On 9-ft. ceilings

Hood distance above cooktop is:

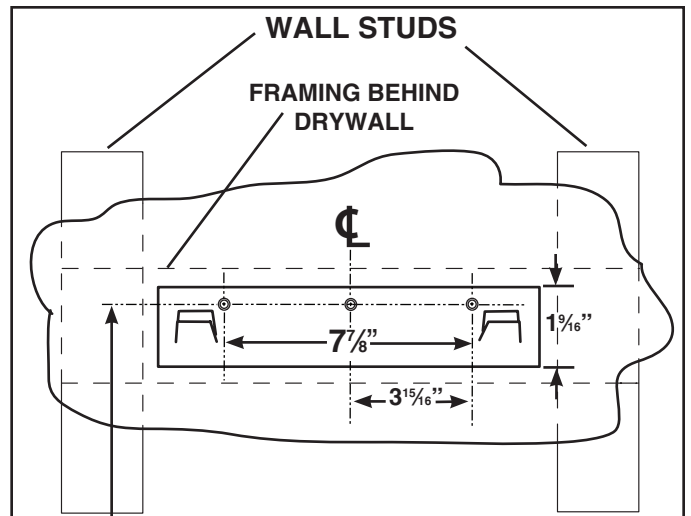
Minimum 30", Maximum 36" (for both ducted and non-ducted discharge)

On 10-ft. ceilings

Hood distance above cooktop is:

Minimum 30", Maximum 36" (for both ducted and non-ducted discharge).

NOTE: 10-ft. ceilings require 10-ft. Flue Extension, Model FXN58SS for ducted or non-ducted installations (purchase separately).



42 5/8" = bottom of hood 30" above cooktop
48 5/8" = bottom of hood 36" above cooktop

MOUNTING BRACKET LOCATION (ABOVE 36" HIGH COOKTOP)

CEILING HEIGHT	DUCT METHOD	MOUNTING DISTANCE ABOVE 36" HIGH COOKTOP (SEE NOTE BELOW)						
		30"	31"	32"	33"	34"	35"	36"
8 FEET	DUCTED OR NONDUCTED	42-5/8"	43-5/8"	44-5/8"				
9 FEET	DUCTED OR NONDUCTED	42-5/8"	43-5/8"	44-5/8"	45-5/8"	46-5/8"	47-5/8"	48-5/8"
10 FEET	DUCTED WITH FEXTK42	42-5/8"	43-5/8"	44-5/8"	45-5/8"	46-5/8"	47-5/8"	48-5/8"

NOTE: Minimum hood distance above cooktop must not be less than 30".

A maximum of 36" above the cooktop is highly recommended for best capture of cooking impurities.

Distances over 36" are at the installer and users' discretion; and if ceiling height and flue length permit.

