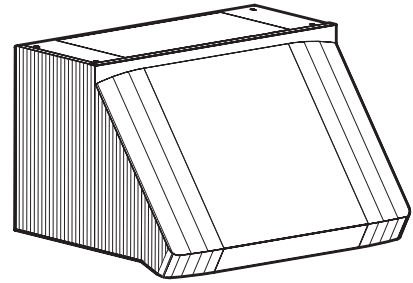


WPD29M SERIES RANGE HOOD



Specially designed to be installed outdoors in a covered patio or lanai area over residential commercial-style cooking surfaces or gas and electric grills.

This unit is not for use with a charcoal grill.

A complete installation requires several optional components. Refer to page 2 when planning your installation.

FEATURES

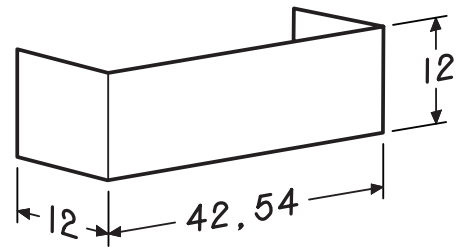
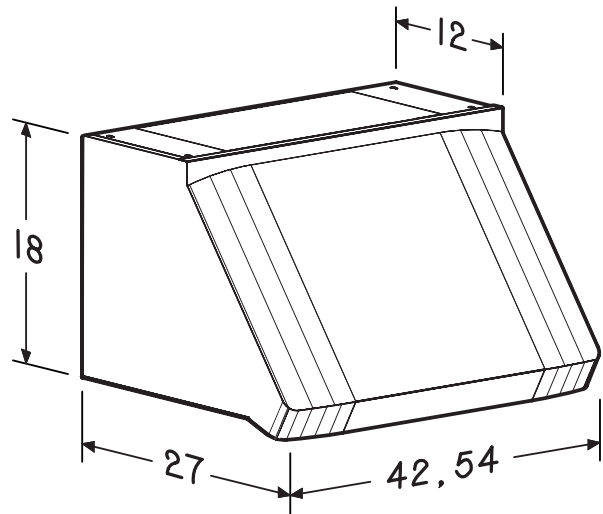
- Corrosion resistant 316 Stainless Steel construction
- UL Listed for use in damp locations when properly connected to a GFCI circuit.
- Hood width: 42" or 54"
- Halogen lighting (4 x 50 watt GU10 for 42" hood, 6 x 50 watt GU10 for 54" hood) lamps included
- Switch controls: Lighting, on-off, and infinite speed
- Easily accessible, dishwasher-safe stainless steel baffle filters
- Heat Sentry turns blower ON to HIGH speed when excess heat is detected

OPTIONS

- Decorative flue (AEWPD Series): Widths - 42" and 54" Stainless Steel construction - hides ducting and wipes clean easily
- Designed for use with interior blower model P12D, in-line blower model ILB11, or exterior blowers EB12 or EB15. (All blowers - purchase separately)

SPECIFICATIONS

120 VAC, 60 Hz
Amps for 42" hood (without blower): 1.7 A
Amps for 54" hood (without blower): 2.5 A



Decorative flue
AEWPD Series



BEST BY BROAN P.O. BOX 140 HARTFORD, WISCONSIN 53027

REFERENCE	QTY.	REMARKS	Project	
			Location	Date
			Architect	
			Engineer	
			Contractor	
			Submitted by	

- WPD29M SERIES RANGE HOOD SYSTEM -

