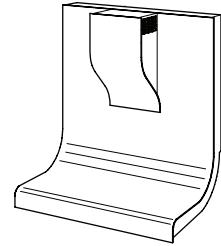


WM24E SERIES RANGE HOODS



Sleek styling, state-of-the-art performance, unique materials, unsurpassed workmanship - from the world's design trendsetter.

FEATURES

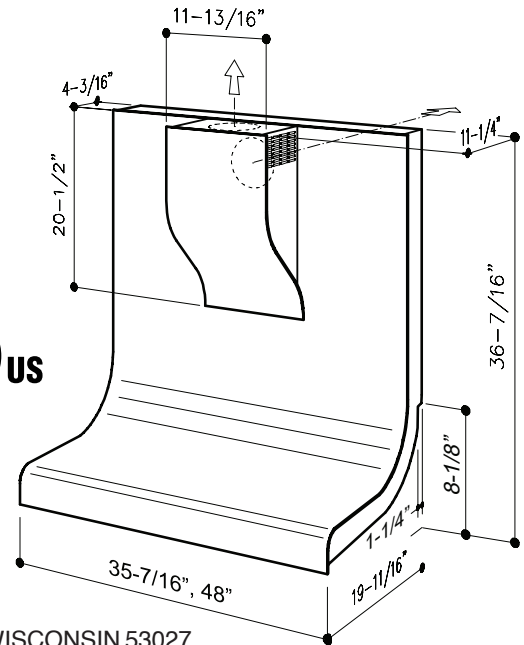
- Exclusive design by F.A. Porsche.
- Wall mount.
- Finish: Matte Aluminum, Red, Blue, or Black.
- Widths: 35-7/16" and 48".
- Accommodates 8' and 9' ceilings.
- 8" round duct connector/backdraft damper.
- Halogen lighting (4 x 20 watt, Type JC 12V 20W G4 Base (bulbs included) with high and low setting.
- Use with exterior-mounted or attic-installed remote blowers for different levels of exhaust capacity (see specifications).
- Gas sensor technology activates blower when steam and cooking impurities are detected.
- Delay timer control automatically shuts off the blower after ten minutes.
- Filter maintenance alarm indicates when it's time to clean filters.
- Dishwasher-safe grease filters feature a quick-release latch and decorative cover plate.
- Heat Sentry™ - automatically turns blower to high speed when excess cooking heat is detected.
- Air refresh feature runs the blower at low speed for 10 minutes, every 50 minutes.

OPTIONS

- Replacement grease filters available.
- Flue extension for 10' ceilings (AEWM24 Series, available in Matte Aluminum, Red, Blue, or Black).
- Interior blower version (WM24I Series) available, providing up to 540 cfm exhaust.
- 8-in. to 10-in. transition (Model 414).

SPECIFICATIONS

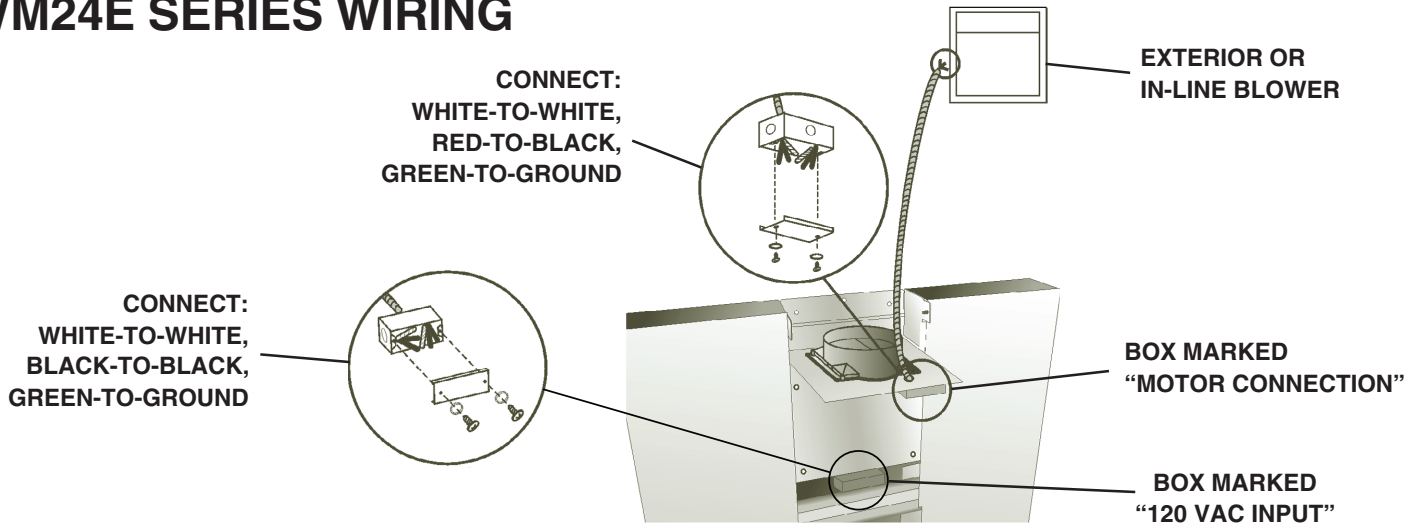
WITH OPTIONAL BLOWER MODELS		BLOWER CFM	VOLTS	AMPS	DUCT
EB6	wall or roof mount remote blowers	600 max.	120	0.86 (lights only) + 6.0 max. (blower only)	8-in. round at the hood. See blower specs for duct requirements.
EB9		900 max.			
EB12		1200 max.			
EB15		1500 max.			
ILB3	attic installed inline blowers	280 max.			
ILB6		600 max.			
ILB9		800 max.			
ILB11		1100 max.			



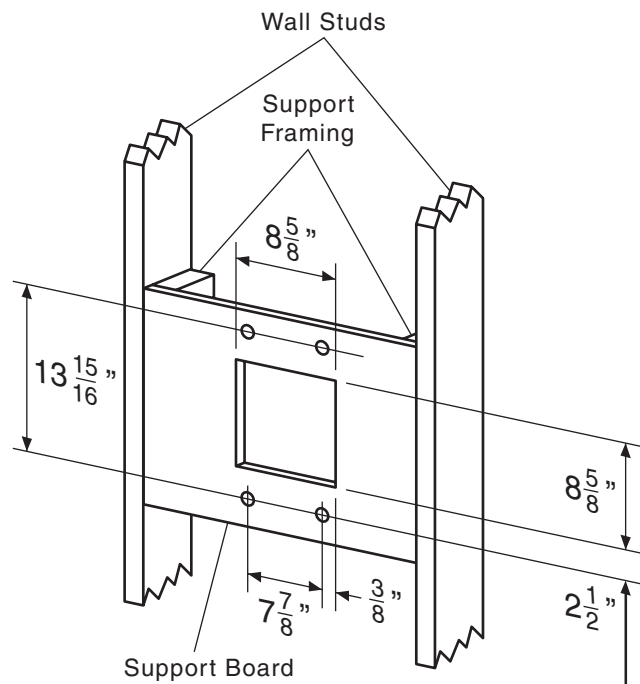
BEST BY BROAN P.O. BOX 140 HARTFORD, WISCONSIN 53027

REFERENCE	QTY.	REMARKS	Project
			Location
			Architect
			Engineer
			Contractor
			Submitted by Date

WM24E SERIES WIRING



WM24E SERIES MOUNTING



CEILING HEIGHT	HOOD DISTANCE ABOVE 36" HIGH COOK TOP						
	23-3/8"	24-3/8"	25-3/8"	26-3/8"	27-3/8"	28-3/8"	29-3/8"
	MOUNTING BRACKET LOCATION ABOVE 36" HIGH COOK TOP						
8-Foot	44-7/8"						
9-Foot	44-7/8"	45-7/8"	46-7/8"	47-7/8"	48-7/8"	49-7/8"	50-7/8"
10-Foot	44-7/8"	45-7/8"	46-7/8"	47-7/8"	48-7/8"	49-7/8"	50-7/8"

Notes:

Minimum hood distance above the cook top must not be less than 23-3/8".
 A maximum of 29-3/8" above cook top is highly recommended for best capture of cooking impurities.
 Distances over 29-3/8" are at the user's discretion; and if ceiling height and flue lengths permit.

