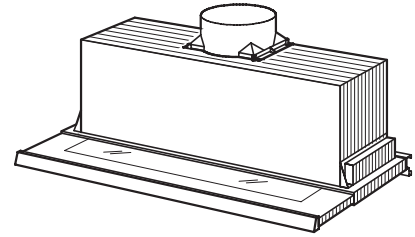




SPECIFICATION SHEET

U102E SERIES RANGE HOODS



Slim-line design provides strong, effective ventilation and cooktop lighting unobtrusively.

FEATURES

- Italian design
- Cabinet mount
- Finish: 304 Stainless Steel #4 Brushed, White & Black
- Width: 30", 36" and 42"
- 8" round duct connector/backdraft damper
- Halogen lighting (2 x 20 watt, Type JC 12V 20W G4 Base - bulbs included) with multilevels from bright cooktop illumination to a low nighttime setting
- Advanced, electronic push-button controls
- Exterior mounted blower available in either 600, 900, 1200, or 1500 cfm
- Four-speed motor controls
- Delay timer control automatically shuts off range hood after ten minutes
- Special control indicates when it's time to clean the filter
- Dishwasher-safe filter features a quick-release latch and decorative cover plate
- Heat Sentry™ - automatically turns blower to high speed when excess cooking heat is detected
- Pull out visor with clear glass panel

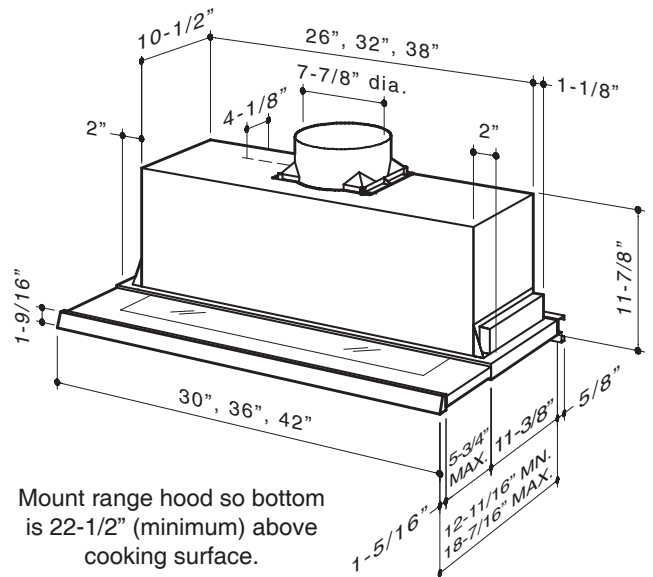
OPTIONS

- Replacement grease filters available
- Interior blower (Model U102I Series) available, providing 500 cfm exhaust
- 8" to 10" transition (Model 414)
- Replacement Bulb (Part No. SB02300891)



SPECIFICATIONS

WITH OPTIONAL BLOWER MODELS		BLOWER CFM	VOLTS	AMPS	DUCT
EB6	wall or roof mount remote blowers	600 max.	120	0.43 (lights only) + 6.0 max. (blower only)	8-in. round at the hood. See blower specs for duct requirements.
EB9		900 max.			
EB12		1200 max.			
EB15		1500 max.			
ILB3	attic installed inline blowers	280 max.			
ILB6		600 max.			
ILB9		800 max.			
ILB11		1100 max.			

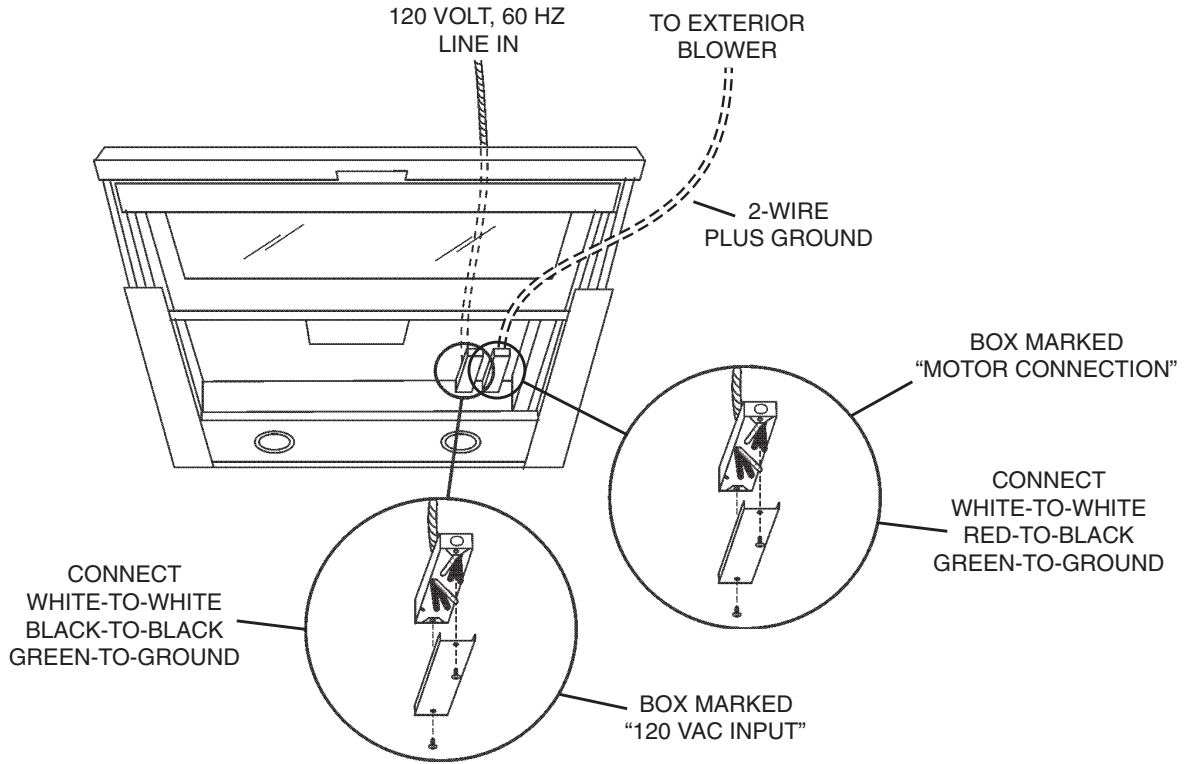


Mount range hood so bottom is 22-1/2" (minimum) above cooking surface.

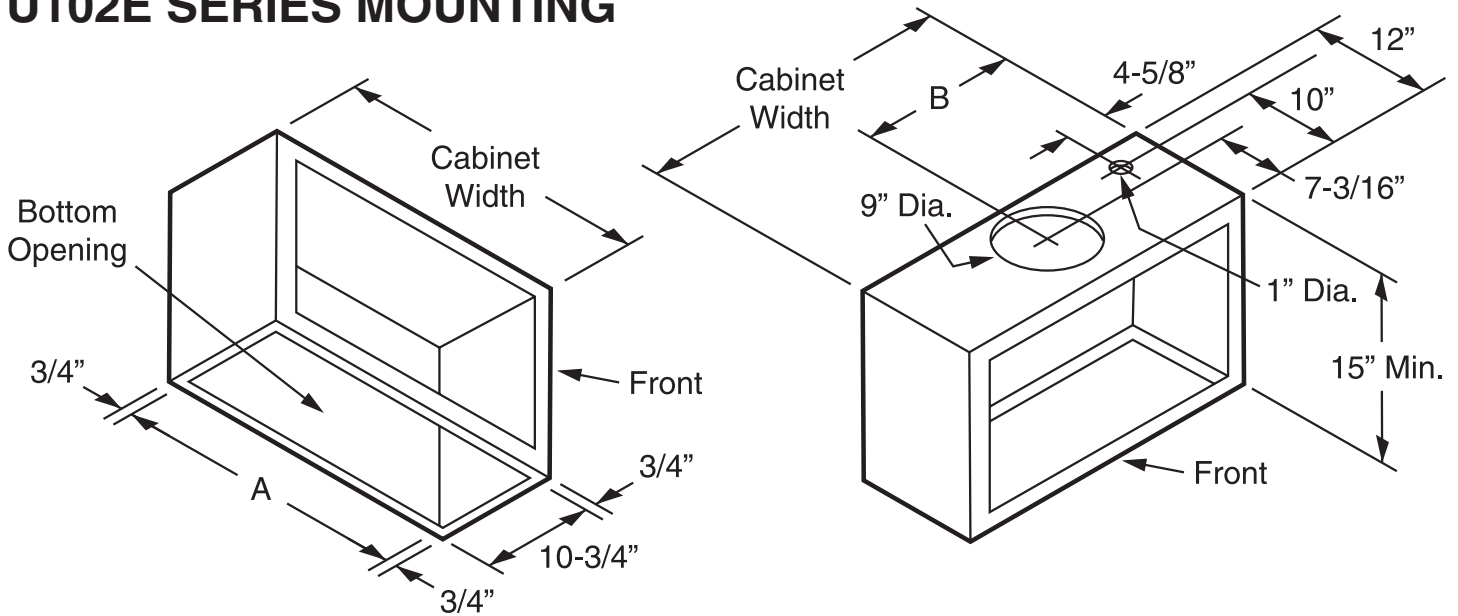
Best P.O. Box 140 Hartford, Wisconsin www.BestRangeHoods.com 800-558-1711

REFERENCE	QTY.	REMARKS	Project
			Location
			Architect
			Engineer
			Contractor
			Submitted by Date

U102E SERIES WIRING



U102E SERIES MOUNTING



Cabinet Width	"A"	"B"
30"	28-1/2"	15"
36"	34-1/2"	18"
42"	40-1/2"	21"

